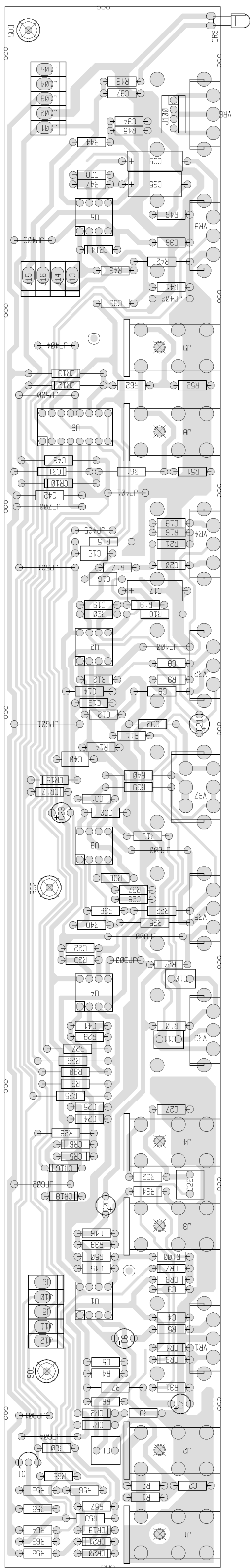


COMPANY PROPRIETARY INFORMATION"  
 PEAVEY ELECTRONICS CORP.  
 711 A STREET  
 MERIDIAN, MISSISSIPPI 39301  
 TITLE NASHVILLE 1000 PREAMP CB  
 SIZE CODE NUMBER  
 C JCF 7210098/99052504 REV A  
 PRINT DATE 23-OCT-2003 SHEET 1 OF 1



# Nashville 1000 PREAMP

B I L L O F M A T E R I A L S R E P O R T

---

BOARD NAME: NASHVIL                      REPORT DATE: 27OCT03  
 ASSEMBLY LEVEL NUMBER: 99052504      DESIGNER: JAMES BROWN/KEITH VARNER  
 PROJECT NUMBER: P9700089  
 CBDS

PART	QTY.	NAME	VALUE	PART NUMBER	DESCRIPTION AND DEVICE DESIGNATIONS
1	72100998	72100998	ECN20752	PCB	
1	.0033	.0033	70340006	.0033MF---10%----50VDC----T/C----T&R C31	
2	.0047	.0047	70340007	.0047MF---10%----50VDC----MON----T&R C8, C9	
3	.015	.015	70340010	.015MF----10%----50VDC----T/C----T&R C18, C20, C33	
1	.033	.033	70340014	.033MF----10%----50VDC----MON----T&R C32	
2	.047M	.047M	70330136	.047M 5% 50vdc my    T&A C10, C11	
2	.047P80	.047P80	70340016	.047MF--+80-20%--50VDC----MON----T&R C36, C37	
10	.1	.1	70340100	.1MF----+80-20%--50VDC----AXL----T&R C3, C4, C13, C14, C24, C25, C29, C30, C42, C43	
3	.1P10	.1P10	70340101	.1MF-----10%----50VDC----MON----T&R C15, C16, C40	
1	.22M	.22M	70330128	.22M 5% 50vdc my    T&A C39	
2	.82M	.82M	70330122	.82mf 5% 50vdc my    T&A C1, C26	
2	1.5K	1.5K	70240018	1.5K--1/4W--5%----CF--T&R	

				R16, R46
1	10	10	70240003	10----1/4W--5%----CF--T&R R56
2	100	100	70240010	100---1/4W--5%----CF--T&R R8, R65
5	100K	100K	70240034	100K--1/4W--5%----CF--T&R R28, R41, R45, R50, R100
9	100PF	100PF	70340054	100PF-----10%----50VDC----T/C----T&R C2, C5, C19, C22, C27, C34, C38, C41, C46
9	10K	10K	70240025	10K---1/4W--5%----CF--T&R R6, R11, R14, R21, R24, R33, R34, R39, R40
1	10KBVB	71190510	71190510	10K LIN MIN VPC W/BRACKET VR8
1	10PF	10PF	70340050	10PF-----5%-----T/C----T&R C45
1	1A50NP	1A50NP	70320138	1MFD 10% 50VNP EL T&R C35
12	1K	1K	70240017	1K----1/4W--5%----CF--T&R R9, R12, R29, R31, R32, R44, R53, R55, R57, R60, R61, R62
2	1M	1M	70240039	1M----1/4W--5%----CF--T&R R51, R52
20	1N4148	4148	70464148	1N4148 75V 10MA SILICON DIODE CR1, CR2, CR3, CR4, CR5, CR6, CR7, CR8, CR10, CR11, CR12, CR13, CR14, CR15, CR16, CR17, CR18, CR19, CR20, CR21
1	2.2A35	2.2A35	70320200	2.2MFD 35VDC LY.CAP T&R C17
1	2.7K	2.7K	70240021	2.7K--1/4W--5%----CF--T&R

				R7
2	22	22	70240007	22----1/4W--5%----CF--T&R R25, R26
1	220K	220K	70240036	220K--1/4W--5%----CF--T&R R3
14	22K	22K	70240029	22K---1/4W--5%----CF--T&R R1, R22, R23, R27, R30, R35, R36, R37, R38, R47, R48, R58, R63, R64
5	22R50	22R50	70320181	22MF-----20%----50VDC---EL--T&A C6, C7, C21, C23, C28
1	270PF	270PF	70340057	270PF-----10%----50VDC----T/C----T&R C12
1	2N3904	3904	70463904	3904/SPS7239 TO 92 NPN T&A Q1
1	33	33	70240004	33----1/4W--5%----CF--T&R R42
3	33K	33K	70240030	33K---1/4W--5%----CF--T&R R4, R19, R20
4	4.7K	4.7K	70240023	4.7K--1/4W--5%----CF--T&R R10, R13, R43, R59
5	4560	4560	70414560	4560 DUAL OP AMP IC U1, U2, U3, U4, U5
1	470	470	70240015	470---1/4W--5%----CF--T&R R5
1	47K	47K	70240031	47K---1/4W--5%----CF--T&R R2
1	4PHVL	4PHVL	73717015	4 PIN HEADER VERT. W/LOCK J100

3	500STW	70901859	70901859	SPCR, R, TA-40X1/2, SW, AL, ST SO1, SO2, SO3
4	50KBVB	71190511	71190511	50K LIN MIN VPC W/BRACKET VR2, VR3, VR4, VR5
3	68K	68K	70240032	68K---1/4W--5%----CF--T&R R15, R17, R18
1	820	820	70240019	820---1/4W--5%----CF--T&R R49
1	DG211	DG211	70420211	DG211 CJ I.C. U6
25	J325	J	70600005	22GA JUMPER WIRES T&R JP300, JP301, JP302, JP303, JP304, JP305, JP306, JP307, JP308, JP309, JP310, JP311, JP312, JP313, JP314, JP315, JP316, JP317, JP318, JP319, JP320, JP321, JP322, JP323, JP324
50	J35	J	70600005	22GA JUMPER WIRES T&R JP350, JP351, JP352, JP353, JP354, JP355, JP356, JP357, JP358, JP359, JP360, JP361, JP362, JP363, JP364, JP365, JP366, JP367, JP368, JP369, JP370, JP371, JP372, JP373, JP374, JP375, JP376, JP377, JP378, JP379, JP380, JP381, JP382, JP383, JP384, JP385, JP386, JP387, JP388, JP389, JP390, JP391, JP392, JP393, JP394, JP395, JP396, JP397, JP398, JP399
75	J4	J	70600005	22GA JUMPER WIRES T&R JP400, JP401, JP402, JP403, JP404, JP405, JP406, JP407, JP408, JP409, JP410, JP411, JP412, JP413, JP414, JP415, JP416, JP417, JP418, JP419, JP420, JP421, JP422, JP423, JP424, JP425, JP426, JP427, JP428, JP429, JP430, JP431, JP432, JP433, JP434, JP435, JP436, JP437, JP438, JP439, JP440, JP441, JP442, JP443, JP444, JP445, JP446, JP447, JP448, JP449,

JP450, JP451, JP452, JP453, JP454,  
JP455, JP456, JP457, JP458, JP459,  
JP460, JP461, JP462, JP463, JP464,  
JP465, JP466, JP467, JP468, JP469,  
JP470, JP471, JP472, JP473, JP474

50 J5 J 70600005

22GA JUMPER WIRES T&R

JP500, JP501, JP502, JP503, JP504,  
JP505, JP506, JP507, JP508, JP509,  
JP510, JP511, JP512, JP513, JP514,  
JP515, JP516, JP517, JP518, JP519,  
JP520, JP521, JP522, JP523, JP524,  
JP525, JP526, JP527, JP528, JP529,  
JP530, JP531, JP532, JP533, JP534,  
JP535, JP536, JP537, JP538, JP539,  
JP540, JP541, JP542, JP543, JP544,  
JP545, JP546, JP547, JP548, JP549

41 J6 J 70600005

22GA JUMPER WIRES T&R

JP600, JP601, JP602, JP603, JP604,  
JP605, JP606, JP607, JP608, JP609,  
JP610, JP611, JP612, JP613, JP614,  
JP615, JP616, JP617, JP618, JP619,  
JP620, JP621, JP622, JP623, JP624,  
JP625, JP626, JP627, JP628, JP629,  
JP630, JP631, JP632, JP633, JP634,  
JP635, JP636, JP637, JP638, JP639, JP640

16 J7 J 70600005

22GA JUMPER WIRES T&R

JP700, JP701, JP702, JP703, JP704,  
JP705, JP706, JP707, JP708, JP709,  
JP710, JP711, JP712, JP713, JP714, JP715

9 J8 J 70600005

22GA JUMPER WIRES T&R

JP800, JP801, JP802, JP803, JP804,  
JP805, JP806, JP807, JP808

2 POT0510 71190510 71190510

10K LIN.MIN.VPC W/BRACKET

VR1, VR6

1 POT0531 71190531 71190531

100KC/100KC DUAL MIN VPC

VR7

1 RALEDRSL RALEDRSL 70450053

LED, T-1, RED, W/STOPPER LEAD T&A

CR9

6 RASN6165 71466165 71466165

JK R/A 12.5MM NIN STEREO -88

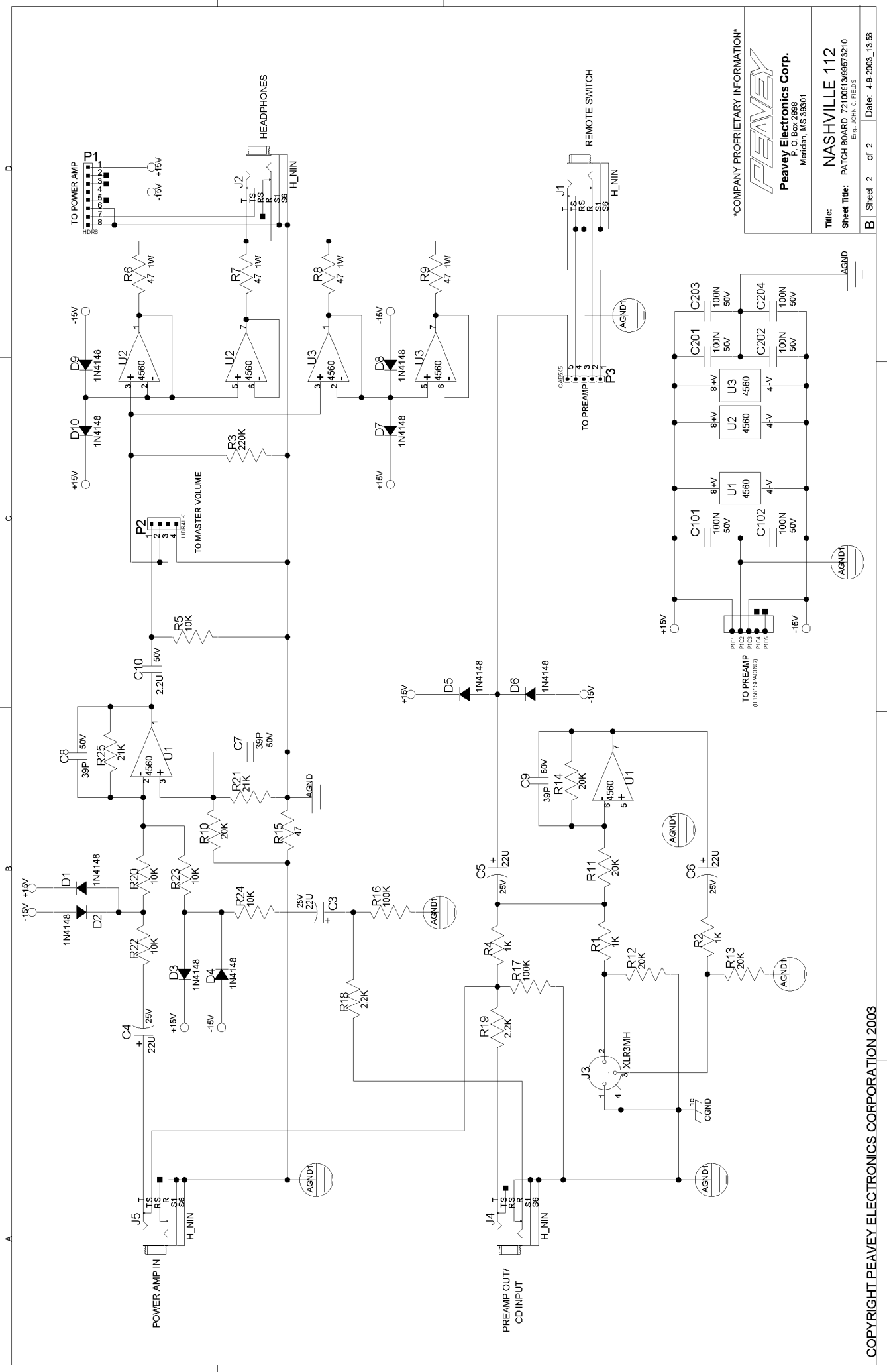
J1, J2, J3, J4, J8, J9

4 SPX1D SPX1D 73717003 1 STAKE PIN  
J13, J14, J15, J16

10 SPX1U SPX1U 73717003 1 STAKE PIN  
J5, J6, J10, J11, J12, J101, J102, J103,  
J104, J105

\*\*\*\*\*  
\* END OF BILL OF MATERIALS REPORT \*  
\*\*\*\*\*





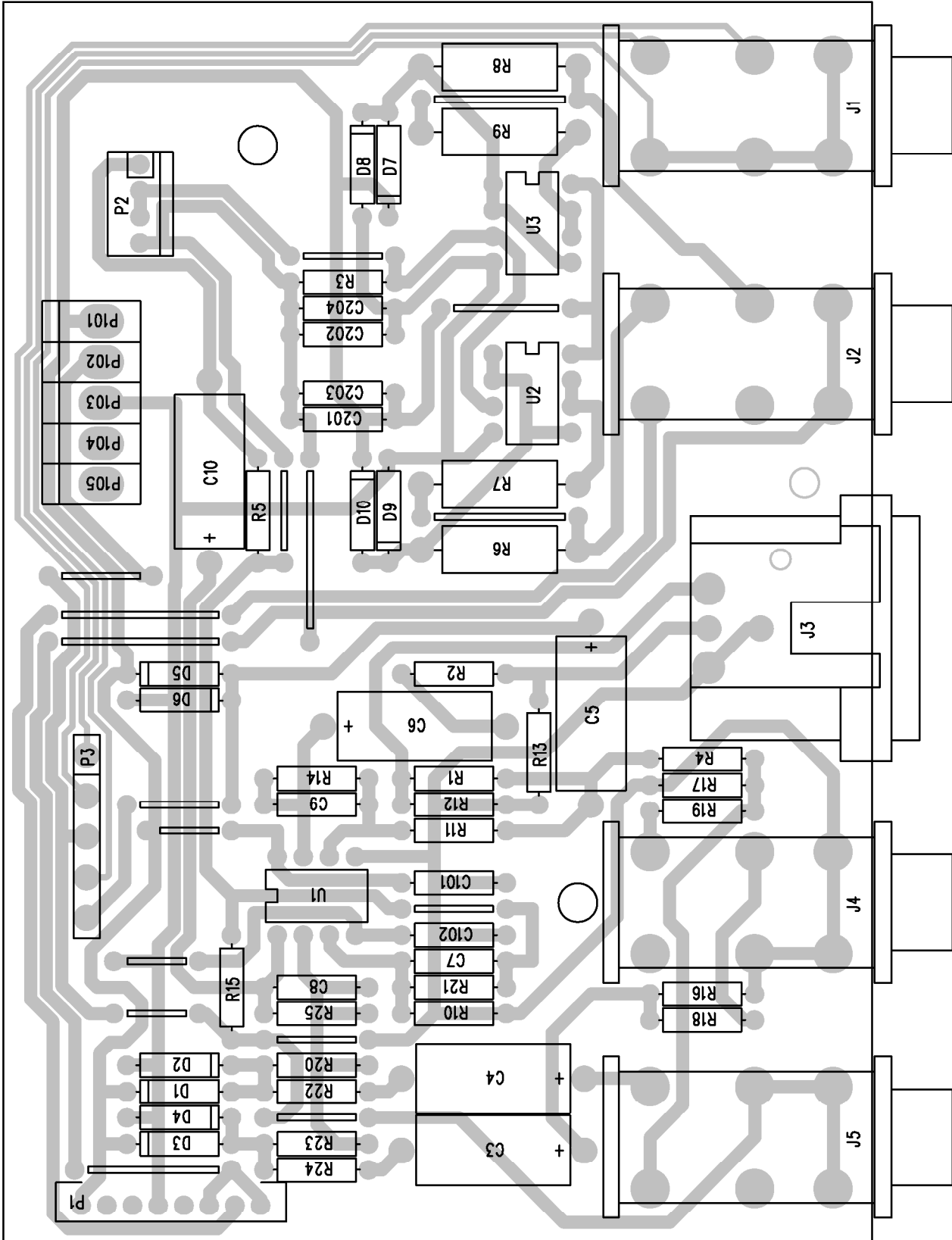
\*COMPANY PROPRIETARY INFORMATION\*

**PEAVEY**  
**Peavey Electronics Corp.**  
 Mendota, IL 61850

Title: **NASHVILLE 112**  
 Sheet Title: PATCH BOARD 72100619/98673210  
 E.G. JOHN C. FIELDS

COPYRIGHT PEAVEY ELECTRONICS CORPORATION 2003

B Sheet 2 of 2 Date: 4-9-2003\_13:59



BILL OF MATERIAL REPORT

-----

REPORT DATE/TIME: 4/9/2003 2:03:04 PM

BOARD NAME: NASHVILLE 112 PATCH

ASSEMBLY LEVEL NUMBER: 99573210

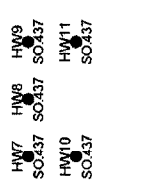
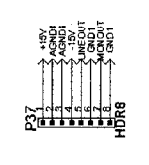
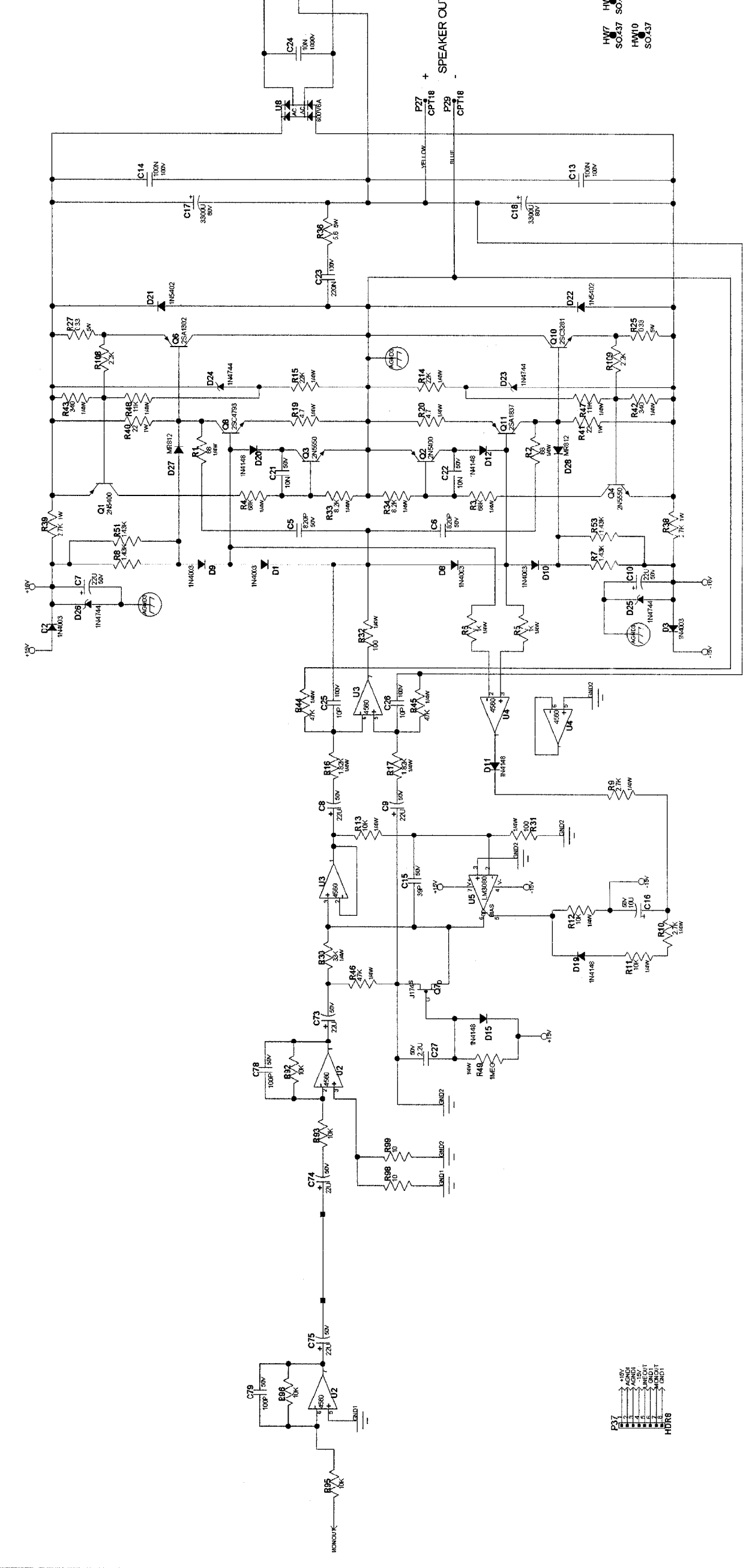
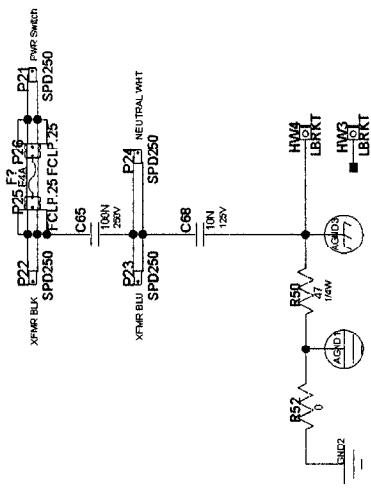
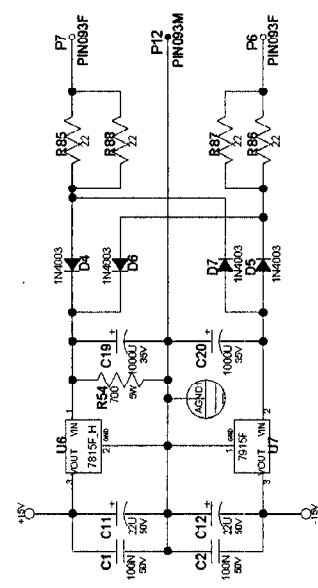
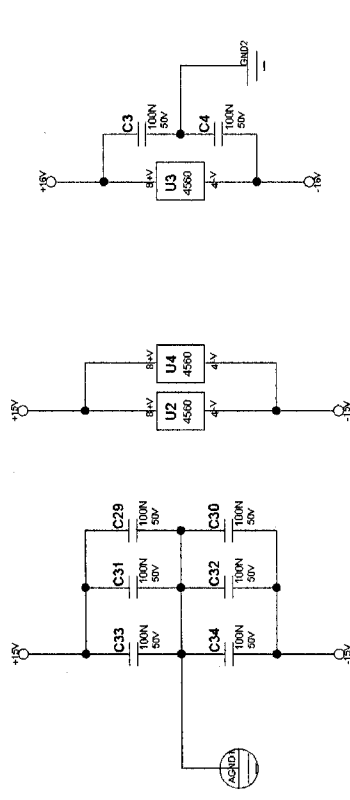
PROJECT NUMBER: P0100015

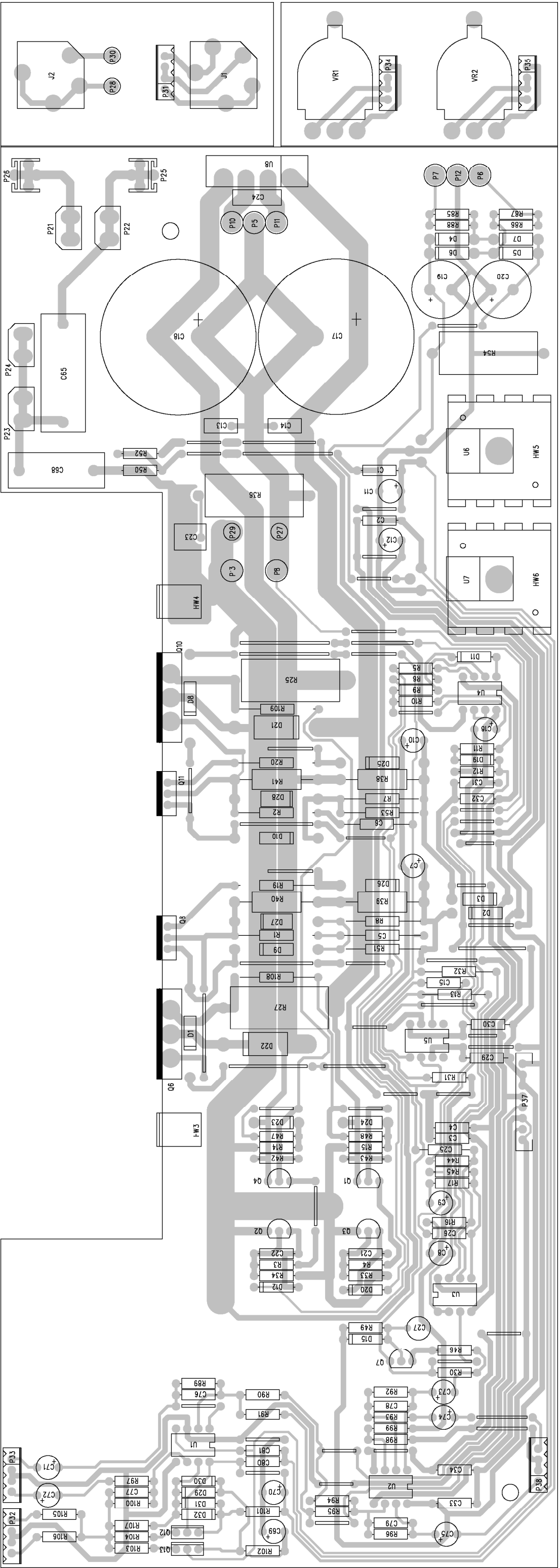
DESIGNER: JTH

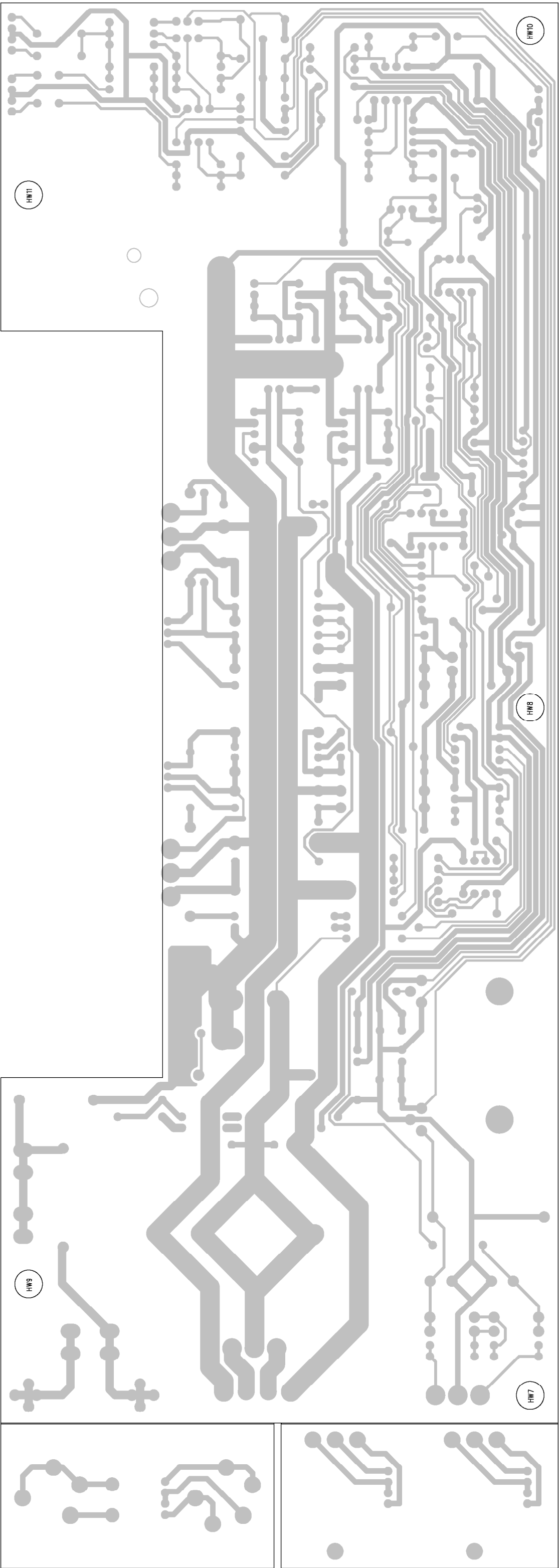
Qty.	Part #	Description	Reference Designators
--			
4	70210011	47 1W 5% MO AXL	R6 R7 R8 R9
1	70240017	1K 1/4W 5% CF AXL	R4
2	70240020	2200 1/4W 5% CF AXL	R18 R19
1	70240025	10K 1/4W 5% CF AXL	R5
2	70240034	100K 1/4W 5% CF AXL	R16 R17
1	70240036	220K 1/4W 5% CF AXL	R3
1	70240090	47 1/4W 5% FP AXL	R15
2	70240120	21.0K 1/4W 1% MF AXL	R21 R25
5	70241040	20K 1/4W 1% MF AXL	R10 R11 R12 R13 R14
4	70241050	10K 1/4W 1% MF AXL	R20 R22 R23 R24
2	70241077	1K 1/4W 1% MF AXL	R1 R2
1	70320010	2.2UF 50V 20% ELN AXL	C10
4	70320012	22UF 25V 20% EL AXL	C3 C4 C5 C6
3	70340052	39PF 50V 5% NPO AXL	C7 C8 C9
6	70340100	0.1UF 50V 80-20% Z5U AXL	C101 C102 C201 C202 C203 C204
3	70414560	4560 DUAL OPAMP DIP8	U1 U2 U3
10	70464148	1N4148 75V 10MA DIODE	D1 D2 D3 D4 D5 D6 D7 D8 D9 D10
1	70600044	5C .156 STRP SRCON 5"	P3

4	71466165	JK RA 12.5MM NIN STEO-88	J1 J2 J4 J5
1	71466442	MXLR NC3MAH A-SER HORZ	J3
5	73717003	1 STAKE PIN .045 .625 TIN	P101 P102 P103 P104 P105
1	73717015	4 HDR V SR .100" TIN LK	P2
1	73717194	8 HDR V JST-EHR 2.5MM TIN	P1
17	JUMPER	????????????????????????????????	JMP2 JMP3 JMP4 JMP6 JMP7 JMP8 JMP9 JMP10 JMP11 JMP12 JMP13 JMP14 JMP15 JMP18 JMP20 JMP21 JMP22

-----  
 END OF BILL OF MATERIAL REPORT  
 -----







BILL OF MATERIAL REPORT  
-----

REPORT DATE/TIME: 4/4/2003 2:24:00 PM

BOARD NAME: NASHVILLE 112 POWER AMP

ASSEMBLY LEVEL NUMBER: 99060400

PROJECT NUMBER: P0100105

DESIGNER: GWG

Qty.	Part #	Description	Reference Designators
--			
2	70210001	22 1W 5% MO AXL	R40 R41
2	70210016	2700 1W 10% MO AXL	R38 R39
2	70240003	10 1/4W 5% CF AXL	R98 R99
2	70240009	68 1/4W 5% CF AXL	R1 R2
2	70240017	1K 1/4W 5% CF AXL	R5 R6
2	70240020	2200 1/4W 5% CF AXL	R108 R109
2	70240021	2700 1/4W 5% CF AXL	R9 R10
7	70240025	10K 1/4W 5% CF AXL	R11 R12 R13 R92 R93 R95 R96
2	70240029	22K 1/4W 5% CF AXL	R14 R15
1	70240030	33K 1/4W 5% CF AXL	R30
3	70240031	47K 1/4W 5% CF AXL	R44 R45 R46
2	70240032	68K 1/4W 5% CF AXL	R3 R4
1	70240039	1M 1/4W 5% CF AXL	R49
2	70240049	8.2K 1/4W 5% CF AXL	R33 R34
2	70240069	11K 1/4W 5% CF AXL	R47 R48
1	70240090	47 1/4W 5% FP AXL	R50
2	70240094	4.7 1/4W 10% FP AXL	R19 R20
4	70240100	22 1/4W 5% FR AXL	R85 R86 R87 R88
1	70240148	0 1/4W 0% MF AXL	R52
2	70241011	340 1/4W 1% MF AXL	R42 R43



4	70241039	1.43K	1/4W	1%	MF	AXL	R7 R8 R51 R53
2	70241075	100	1/4W	1%	MF	AXL	R31 R32
2	70241078	1.82K	1/4W	1%	MF	AXL	R16 R17
2	70250003	0.33	5W	10%	WW	AXLH	R25 R27
1	70250026	5.6	5W	10%	WW	AXLH	R36
1	70250061	700	5W	10%	WW	AXLH	R54
1	70320104	0.01UF	125V-20%	"X"		RADH	C68
2	70320132	3300UF	80V 20%	EL		SNPH	C17 C18
9	70320181	22UF	50V 20%	EL		RAD	C7 C8 C9 C10 C11 C12 C73 C74 C75
1	70320184	2.2UF	50V 20%	ELN		RAD	C27
1	70320185	10UF	50V 20%	ELL		RAD	C16
2	70320186	1000UF	35V 20%	EL		RAD	C19 C20
1	70320248	0.01UF	1000V 80-20%	Z5U		RAD	C24
1	70320298	0.1UF	250V 20%	"X"		RADH	C65
2	70330113	0.1UF	100V 10%	PPS		RAD	C13 C14
1	70330114	0.22UF	100V 5%	PES		RAD	C23
2	70340011	0.01UF	50V 10%	X7R		AXL	C21 C22
2	70340050	10PF	100V 5%	NPO		AXL	C25 C26
1	70340052	39PF	50V 5%	NPO		AXL	C15
2	70340054	100PF	50V 10%	NPO		AXL	C78 C79
2	70340062	820PF	50V 10%	NPO		AXL	C5 C6
10	70340100	0.1UF	50V 80-20%	Z5U		AXL	C1 C2 C3 C4 C29 C30 C31 C32 C33 C34
1	70400318	7815F	+15V	INS	TO-220F	HOR	U6
1	70400319	7915	-15V	INS	TO-220F	HOR	U7
2	70400502	MR502/1N5402	200V 3A	DIOD			D21 D22
1	70400605	BR RECT	INLINE	600V 6A			U8

1	70401837	2SA1837 PNP TO-220 230V	Q11
1	70404793	2SC4793 NPN TO-220 230V	Q8
2	70404933	MR812 FAST RECOVERY DIODE	D27 D28
1	70413080	LM3080N CUSTOM SELECTED	U5
3	70414560	4560 DUAL OPAMP DIP8	U2 U3 U4
4	70440102	SZG40102 15V 5% ZENER	D23 D24 D25 D26
1	70458200	2SA1302 200V PNP TO-247AC	Q6
1	70460174	J174 JFET P 30V TO92 RAD	Q7
2	70460761	2N5400 PNP 120V TO92 RAD	Q1 Q2
10	70464003	1N4003 200V 1A SI DIODE	D1 D2 D3 D4 D5 D6 D7 D8 D9 D10
5	70464148	1N4148 75V 10MA DIODE	D11 D12 D15 D19 D20
2	70465550	2N5550 TO92 NPN RAD	Q3 Q4
1	70468200	2SC3281 200V NPN POWER	Q10
2	70901183	FUSECLIP, PC MT RAD	P25 P26
5	70901891	STND .437 T4-40, SW, AL	HW7 HW8 HW9 HW10 HW11
2	71500238	LBRACKET #741 T4-40	HW3 HW4
3	73711811	PIN-F .093 MOLEX PC-MNT	P5 P6 P7
3	73711812	PIN-M .093 MOLEX PC-MNT	P10 P11 P12
2	73713813	PIN-M .093 MOLEX PC-MNT	P27 P29
4	73716194	SPADE .250 PC MNT .093	P21 P22 P23 P24
1	73717194	8 HDR V JST-EHR 2.5MM TIN	P37
2	98002522	3/8IN. HEATSINK PUNCHED	HW5 HW6
48	JUMPER	????????????????????????????????	JMP1 JMP2 JMP14 JMP16 JMP17 JMP18 JMP19 JMP20 JMP21 JMP22 JMP23 JMP24 JMP25 JMP26 JMP27 JMP28 JMP29 JMP30 JMP31 JMP32 JMP33 JMP34 JMP35 JMP36 JMP37 JMP38 JMP39 JMP40

JMP41 JMP42 JMP43 JMP44  
JMP45 JMP46 JMP47 JMP48  
JMP49 JMP52 JMP53 JMP54  
JMP55 JMP56 JMP57 JMP58  
JMP60 JMP61 JMP62 JMP63

-----  
END OF BILL OF MATERIAL REPORT  
-----