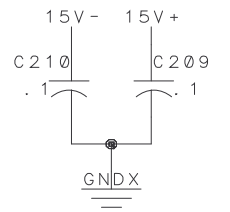
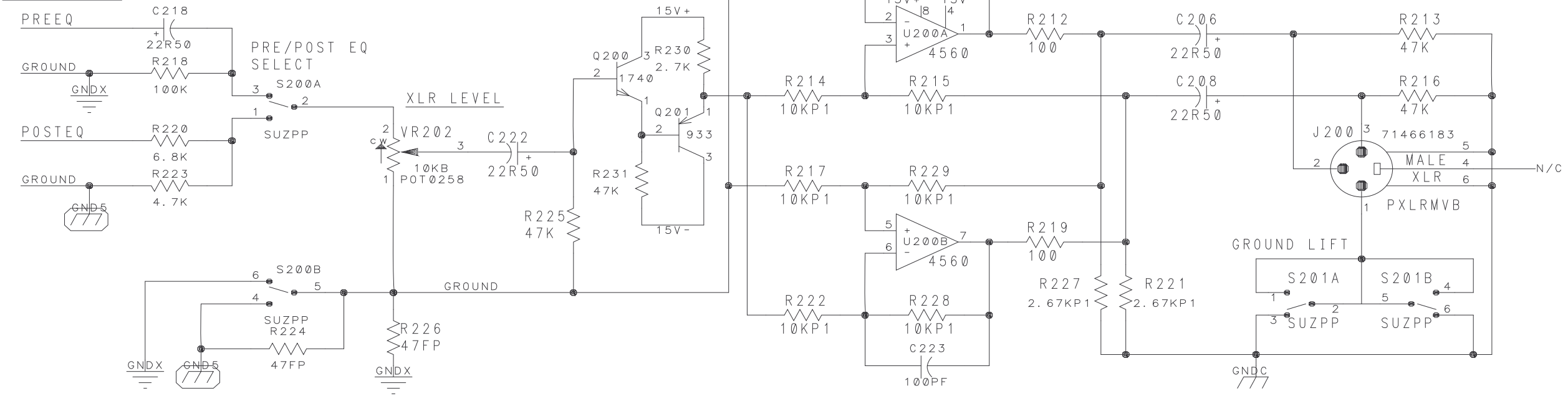
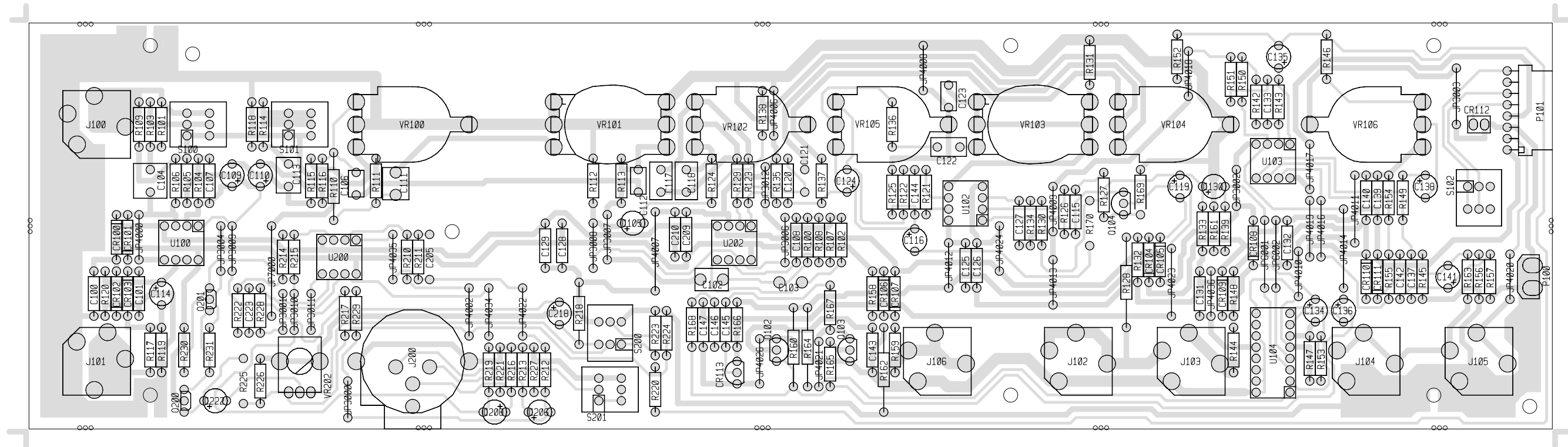


FROM PAGE 1



"COMPANY PROPRIETARY INFORMATION"

PEAVEY ELECTRONICS CORP. 711 A STREET MERIDIAN, MISSISSIPPI 39301			
TITLE		NITROBASS PREAMP DWG# 81501650	
SIZE	CODE	NUMBER	REV
B	JRA	CB# 98810810 ASSY# 99010810	A
PRINT	DATE	7-JUN-2000	SHEET 2 OF 2



# NITROBASS PREAMP

BILL OF MATERIALS REPORT

BOARD NAME: NITROPRE REPORT DATE: 30MAY00  
 ASSEMBLY LEVEL NUMBER: 99010810 DESIGNER: STEVE CLARK  
 PROJECT NUMBER: P9900086

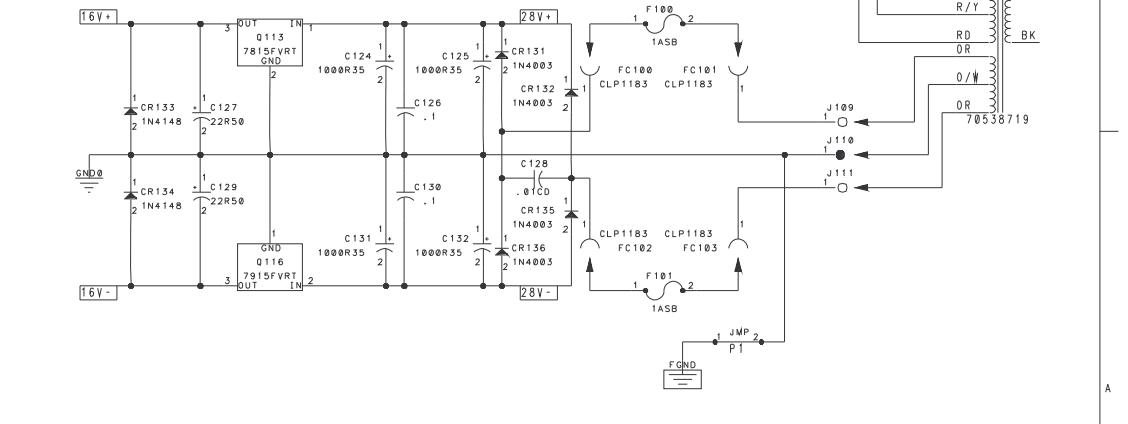
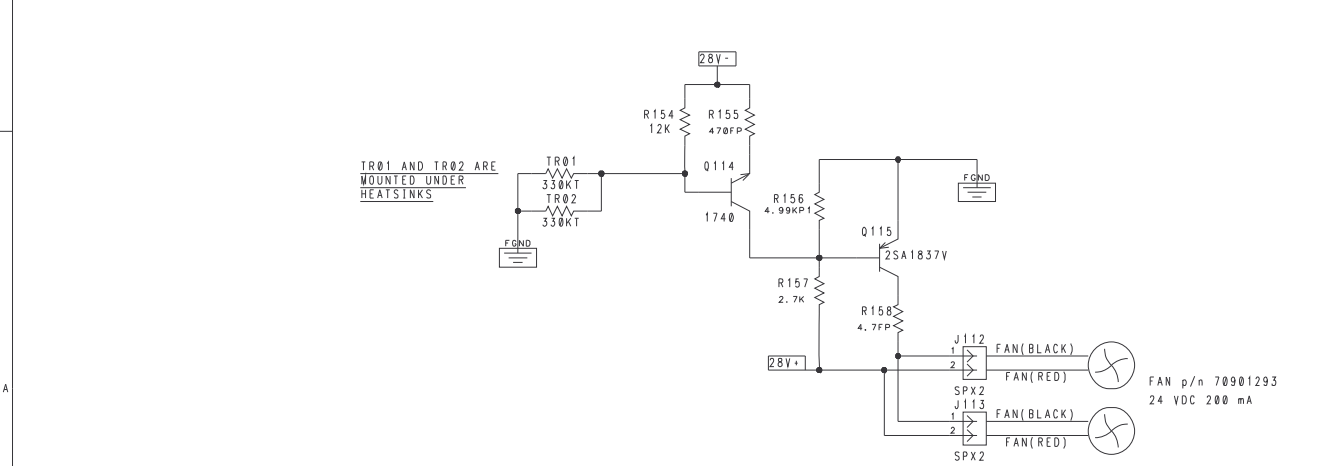
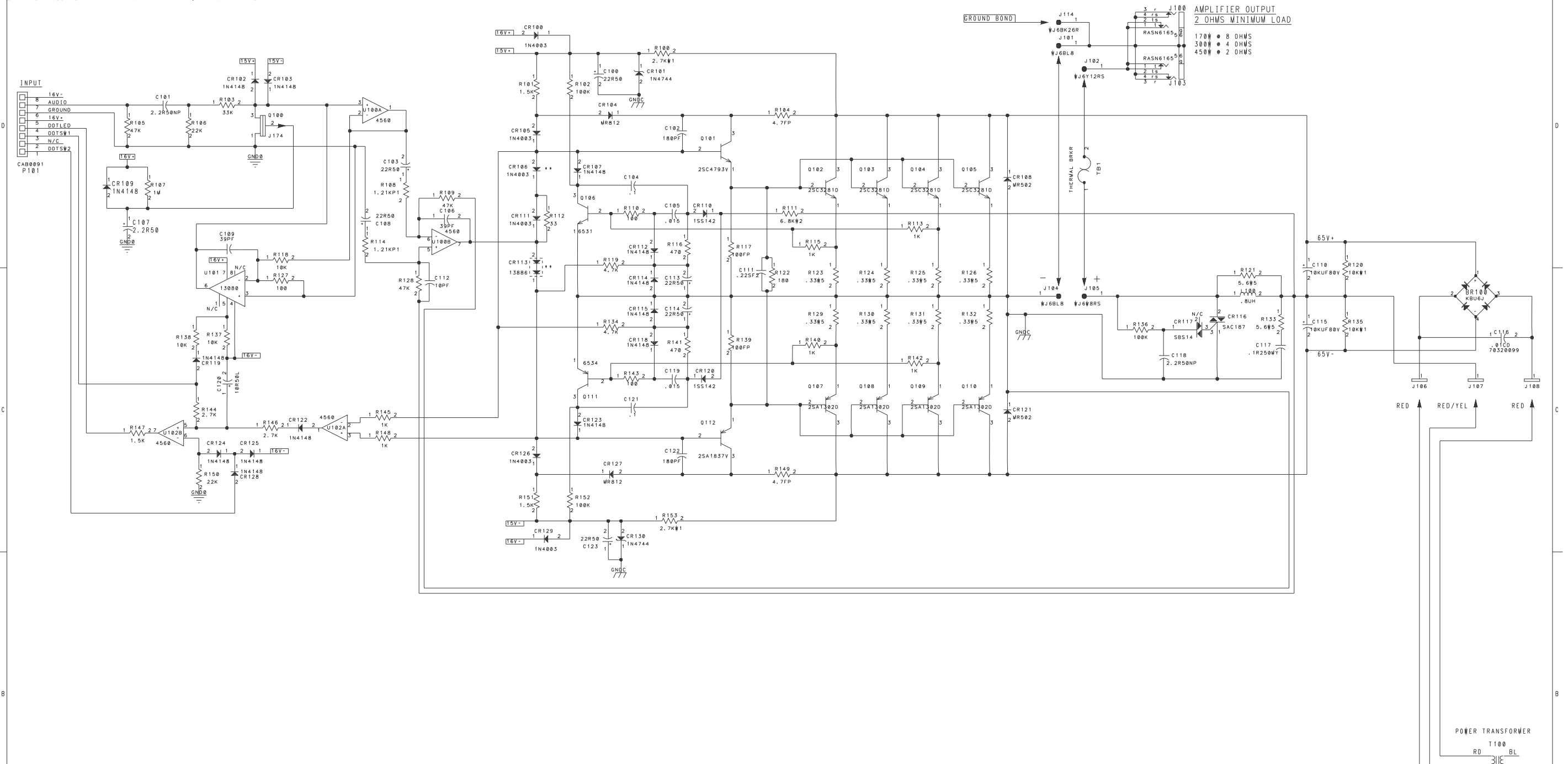
CBDS  
 PART PART DESCRIPTION AND  
 \*\* QTY. NAME VALUE NUMBER DEVICE DESIGNATIONS \*\*\*\*\*  
 \*\*\*\*\*

1 98810810 98810810 98810810 PCB  
 2 .0033M .0033M 70330130 .0033M 5% 50vdc my T&A  
 C106, C112  
 1 .0047M .0047M 70330116 .0047 MFD 50VDC 5% MY T&A  
 C123  
 1 .0068M .0068M 70330117 .0068mf--5%---50vdc---my---t&a  
 C121  
 1 .01 .01 70340011 .01MF-----10%----50VDC---T/C---T&R  
 C132  
 1 .018M .018M 70330126 .018M 5% 50vdc my T&A  
 C122  
 1 .033M .033M 70330115 .033 MFD 50VDC 5% MY T&A  
 C113  
 2 .068M .068M 70330124 .068M 5% 50vdc my T&A  
 C117, C118  
 15 .1 .1 70340100 .1MF----+80-20%--50VDC---AXL---T&R  
 C100, C101, C125, C126, C128, C129,  
 C131, C139, C140, C143, C145, C146,  
 C147, C209, C210  
 2 .33RP2 .33RP2 70330145 .33MF-----2%----50VDC---PP---T&A  
 C102, C103  
 1 .47SF2 .47SF2 70330148 .47MF 5% 100VDC SF T&A  
 C111  
 1 .82M .82M 70330122 .82mf 5% 50vdc my T&A  
 C104  
 3 100 100 70240010 100---1/4W--5%----CF--T&R  
 R146, R212, R219  
 4 100K 100K 70240034 100K--1/4W--5%----CF--T&R  
 R118, R158, R165, R218  
 7 100PF 100PF 70340054 100PF-----10%----50VDC---T/C---T&R  
 C107, C108, C115, C127, C133, C205, C223  
 19 10K 10K 70240025 10K---1/4W--5%----CF--T&R  
 R105, R110, R111, R112, R119, R120,  
 R121, R122, R124, R125, R127, R130,  
 R132, R133, R135, R160, R164, R169, R170  
 8 10KP1 10KP1 70241050 10K---1/4W--1%----MF--T&R  
 R210, R211, R214, R215, R217, R222,  
 R228, R229  
 4 15K 15K 70240027 15K---1/4W--5%----CF--T&R  
 R100, R102, R113, R129  
 1 1740 1740 70401740 2SC1740SLN 40V,.1A, NPN, LOW NOISE T&A  
 Q200  
 1 180PF 180PF 70340056 180PF-----10%----50VDC---T/C---T&R  
 C144

1 1K 1K 70240017 1K---1/4W--5%----CF--T&R  
 R159  
 2 1M 1M 70240039 1M---1/4W--5%----CF--T&R  
 R109, R166  
 12 1N4148 4148 70464148 1N4148 75V 10MA SILICON DIODE  
 CR100, CR101, CR102, CR103, CR104,  
 CR105, CR106, CR107, CR108, CR109,  
 CR110, CR111  
 2 2.67KP1 2.67KP1 70241018 2.67K-1/4W--1%----MF--T&R  
 R221, R227  
 5 2.7K 2.7K 70240021 2.7K--1/4W--5%----CF--T&R  
 R114, R116, R137, R138, R230  
 5 220K 220K 70240036 220K--1/4W--5%----CF--T&R  
 R106, R147, R148, R150, R153  
 12 22K 22K 70240029 22K---1/4W--5%----CF--T&R  
 R103, R104, R108, R142, R145, R149,  
 R151, R152, R154, R155, R156, R157  
 17 22R50 22R50 70320181 22MF-----20%----50VDC---EL--T&A  
 C105, C109, C110, C114, C116, C119,  
 C124, C130, C134, C135, C136, C138,  
 C141, C206, C208, C218, C222  
 2 2N3919 3919 70463919 SKA-3919 TO92 NPN TRANS T&A  
 Q102, Q103  
 1 330PF 330PF 70340070 330PF-----10%----50VDC---T/C---T&R  
 C120  
 1 33K 33K 70240030 33K---1/4W--5%----CF--T&R  
 R107  
 2 4.7FP 4.7FP 70240094 4.7FP-1/4W--10%---FP--T&R  
 R161, R162  
 2 4.7K 4.7K 70240023 4.7K--1/4W--5%----CF--T&R  
 R123, R223  
 5 4560 4560 70414560 4560 DUAL OP AMP IC  
 U100, U102, U103, U200, U202  
 2 47 47 70240008 47---1/4W--5%----CF--T&R  
 R167, R168  
 5 470 470 70240015 470---1/4W--5%----CF--T&R  
 R115, R117, R128, R144, R163  
 2 470PF 470PF 70340058 470PF-----10%----50VDC---T/C---T&R  
 C137, C142  
 2 47FP 47FP 70240090 47FP--1/4W--5%----FP--T&R  
 R224, R226  
 7 47K 47K 70240031 47K---1/4W--5%----CF--T&R  
 R101, R139, R143, R213, R216, R225, R231  
 3 6.8K 6.8K 70240024 6.8K--1/4W--5%----CF--T&R  
 R131, R136, R220  
 2 68K 68K 70240032 68K---1/4W--5%----CF--T&R  
 R126, R134  
 1 8SRHRAU 73717093 73717093 8--RA-SQ/P-F/LK-HD-100

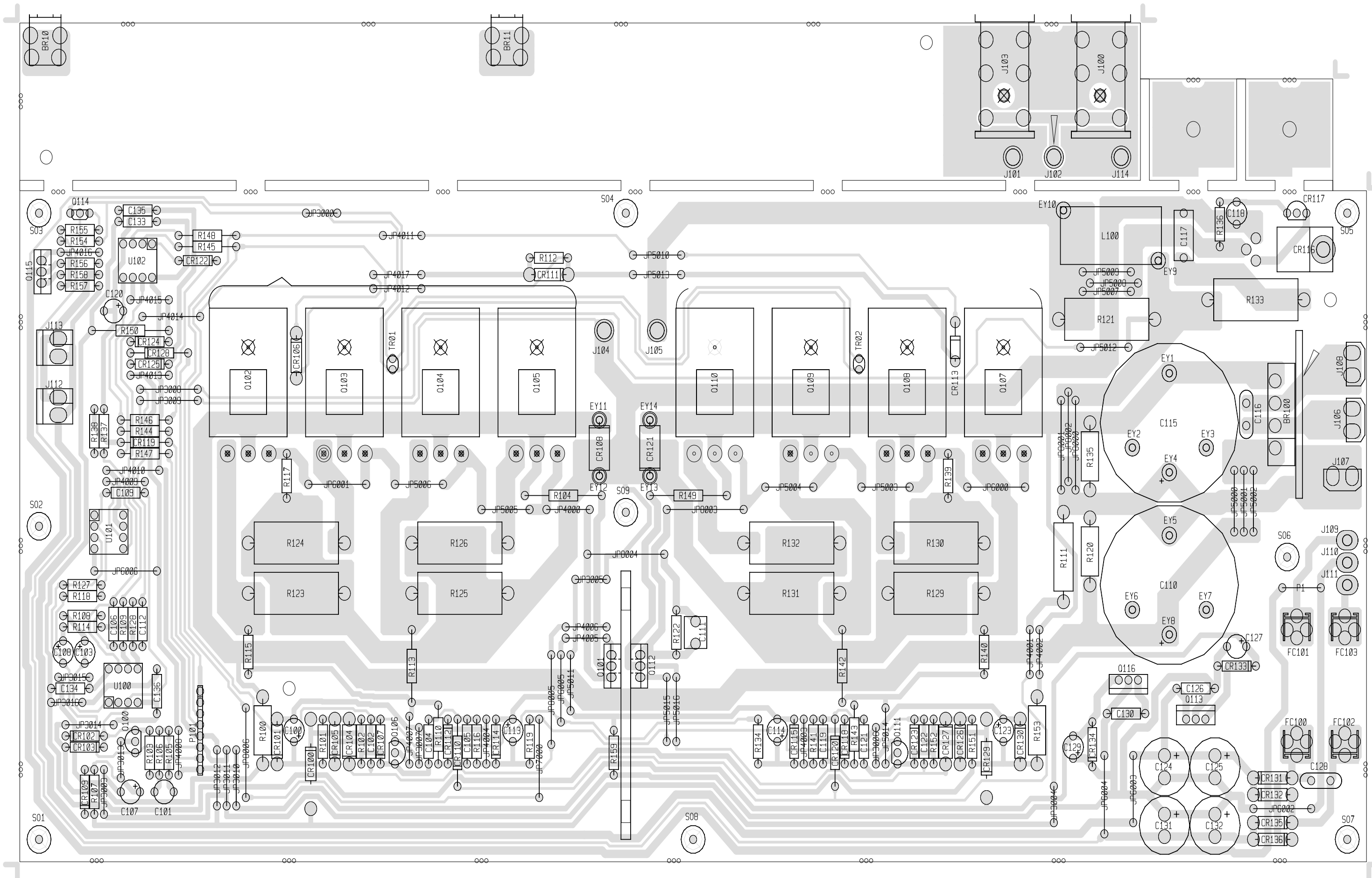
P101  
 1 933 933 70400933 2SA933ASLN 40V,.1A, PNP, LOW NOISE T&A  
 Q201  
 1 DG211 DG211 70420211 DG211 CJ.I.C.  
 U104  
 1 HIDMI 71466215 71466215 2 TIP HID JACK INSU W/SPD  
 J101  
 6 HIDMNI 71466214 71466214 2 TIP HID JACK NINS W/SPD  
 J100, J102, J103, J104, J105, J106  
 1 J174 J174 70460174 J-174 30V TO-92 P-CHAN FET T&A  
 Q104  
 1 LEDBICR LEDBICR 70450056 LED BICOLOR (RED/GREEN) RECT., VERT.  
 CR112  
 1 MAC97 MAC97 70460097 MAC97-6 400V .6A TO-92 TRIAC T&A  
 CR113  
 1 POT0258 71190258 71190258 10K - STD - 9MM  
 VR202  
 2 POT0336 71190336 71190336 10K LIN METRIC SPIDER 1MM  
 VR100, VR106  
 3 POT0340 71190340 71190340 50K LIN MET SPIDER - W/CTR DTNT 1MM  
 VR102, VR104, VR105  
 1 POT0342 71190342 71190342 50K A/RA 20% DL MET SPDR 1MM  
 VR101  
 1 POT0343 71190343 71190343 100K 20% DL MET SPDR 1MM  
 VR103  
 1 PXLRMVB 71466183 71466183 XLB CONN VERT MALE W/BRKT  
 J200  
 1 SPD 73716194 73716194 .250 PC MNT SPADE .093 PCB  
 P100  
 5 SUZPP SUZPP 71322251 SUZ P/P SWITCH PC MOUNT  
 S100, S101, S102, S200, S201

\*\*\*\*\*  
 \* END OF BILL OF MATERIALS REPORT \*  
 \*\*\*\*\*



"COMPANY PROPRIETARY INFORMATION"

PEAVEY ELECTRONICS CORP. 711 A STREET Meridian, Mississippi 39301	
TITLE: NITROBASS POWER AMPLIFIER	
ENGINEER: J. Albert	REV
SIZE CODE PCB # 98810800	REV
D JRA ASSY # 99010800	C
PRINT DGC # 81501640	
DATE: 7-JUN-2000	SHEET 1 OF 1



# NITROBASS PWRAMP

B I L L O F M A T E R I A L S R E P O R T

BOARD NAME: NITROPWR REPORT DATE: 5JUN00  
 ASSEMBLY LEVEL NUMBER: 99010800 DESIGNER: JAMES HUGHES  
 PROJECT NUMBER: NEW

CBDS  
 PART PART DESCRIPTION AND  
 \*\* QTY. NAME VALUE NUMBER DEVICE DESIGNATIONS  
 \*\*\*\*\*  
 \*\*\*\*\*

1	98810800	98810800	98810800	PCB
2	.015	.015	70340010	.015MF----10%----50VDC---- T/C----T&R
2	.01CD	.01CD	70320248	.01MF----20%---1000VDC--- CD--T&A
8	.1	.1	70340100	.1MF----+80-20%--50VDC---- AXL----T&R
1	.1R250MY	.1R250MY	70320096	.1 MFD 250VDC MYLAR CA/BR C117
1	.22SF2	.22SF2	70330114	0.22 MF 5% 100V STCK FILM t&a
8	.33W5	.33W5	70250003	.33--5W--10%--WW--AXL R129, R130,
1	.8UH	.8UH	70519917	.8UH AIR CORE COIL / CS1200 L100
2	1.21KP1	1.21KP1	70240046	1.21K-1/4W--1%----MF--T&R R108, R114
3	1.5K	1.5K	70240018	1.5K--1/4W--5%----CF--T&R R101, R147, R151
3	100	100	70240010	100---1/4W--5%----CF--T&R R110, R127, R143
4	1000R35	1000R35	70320186	1000MF----20%----35VDC-- EL--T&A
2	100FP	100FP	70240096	100FP-1/4W--5%----FP--T&R R117, R139
3	100K	100K	70240034	100K--1/4W--5%----CF--T&R R102, R136, R152
3	10K	10K	70240025	10K---1/4W--5%----CF--T&R R118, R137, R138
2	10KUF80V	10KUF80V	70330161	10,000mf @ 80V R/S Capacitor C110, C115
2	10KW1	10KW1	70210018	10K---1W----5%----MO--T&R R120, R135
1	10PF	10PF	70340050	10PF-----5%----- T/C----T&R
1	10R50L	10R50L	70320185	10MF-----20%----50VDC--- LL--T&A
1	12K	12K	70240057	12K---1/4W--5%----CF--T&R R154
1	13080	13080	70413080	LM3080N CUSTOM SELECTED U101
1	13886	13886	70413886	SZ-13886-2 DUAL DIODE CR113
1	1740	1740	70401740	2SC1740SLN 40V, .1A, NPN, LOW NOISE T&A
1	180	180	70240012	180---1/4W--5%----CF--T&R R122
2	180PF	180PF	70340056	180PF-----10%----50VDC---- T/C----T&R
6	1K	1K	70240017	1K---1/4W--5%----CF--T&R R113, R115, R140, R142, R145, R148
1	1M	1M	70240039	1M---1/4W--5%----CF--T&R R107
10	1N4003	1N4003	70464003	1N4003 200V SILICON DIODE CR100, CR105, CR106, CR111, CR129, CR131, CR132, CR135, CR126, CR136
16	1N4148	4148	70464148	1N4148 75V 10MA SILICON DIODE CR102, CR103, CR107, CR109, CR112, CR114, CR115, CR118, CR119, CR122, CR123, CR124, CR125, CR128, CR133, CR134
2	1N4744	4744	70440102	SZG40102 15V 5% ZENER DIODE CR101, CR130
2	1SS142	1SS142	70400142	1ss142 250v SILICON DIODE CR110, CR120
1	2.2R50	2.2R50	70320180	2.2MF-----20%----50VDC--- EL--T&A
2	2.2R50NP	2.2R50NP	70320184	2.2MF-----20%----50VDC--- NP--T&A
3	2.7K	2.7K	70240021	2.7K--1/4W--5%----CF--T&R R144, R146, R157
2	2.7KW1	2.7KW1	70210016	2.7K--1W----5%----MO--T&R R100, R153
2	22K	22K	70240029	22K---1/4W--5%----CF--T&R R106, R150
8	22R50	22R50	70320181	22MF-----20%----50VDC--- EL--T&A

C114, C123,	C100, C103, C108, C113, C127, C129
4 2SA1302D 2SA1302D 70458200	200V PLASTIC PNP POWER TRANSISTOR
2 2SA1837V 2SA1837V 70401837	PNP TRAN TO-220 230V 1A VERT
4 2SC3281D 2SC3281D 70468200	200V PLASTIC NPN POWER TRANSISTOR
1 2SC4793V 2SC4793V 70404793	NPN TRAN TO-220 230V 1A VERT
1 33 33 70240004	33----1/4W--5%----CF--T&R
2 330KT 330KT 70240208	330K THERMISTOR TR01, TR02
1 33K 33K 70240030	33K---1/4W--5%----CF--T&R R103
2 39PF 39PF 70340052	39PF-----50VDC---- T/C----T&R
4 4.7FP 4.7FP 70240094	4.7FP-1/4W--10%----FP--T&R R104, R149, R158, R159
2 4.7K 4.7K 70240023	4.7K--1/4W--5%----CF--T&R R119, R134
1 4.99KP1 4.99KP1 70241060	4.99K-1/4W--1%----MF--T&R R156
2 4560 4560 70414560	4560 DUAL OP AMP IC U100, U102
2 470 470 70240015	470---1/4W--5%----CF--T&R R116, R141
1 470FP 470FP 70240098	470--1/4W--5%----FP--T&R R155
3 47K 47K 70240031	47K---1/4W--5%----CF--T&R R105, R109, R128
2 5.6W5 5.6W5 70250026	5.6--5W--10%--WW--AXL R121, R133
9 500STW 70901859 70901859	SPCR,R,TA-40X1/2,SW,AL,ST SO6, SO7, SO8, SO9
1 6.8KW2 6.8KW2 70250052	6.8K---2W---5%----MF---T&R R111
1 6531 6531 70466531	MPS-6531 TO92 NPN TRANS. Q107, Q108, Q109, Q110
1 6534 6534 70466533	MPS-6533/34 TO-92 PNP TRANS Q112, Q115

T&A

				Q111				P1	
1	7815FVRT	7815FVER	70400318	7815 15V 1A POS TO-220 RG	1	KBU6J	70400605	70400605	6A, 600V, INLINE DIODE
	VERT MNT	INS				BRIDGE RECTIFIER			
				Q113					BR100
1	7915FVRT	7915FVER	70400319	7915 15V 1A NEG TO 220 RG	1	MMPU	73711812	73711812	R93-12 PN C.B. MALE MOLEX
	VERT MNT	INS				PIN			
				Q116					J110
1	CAB0091	70600091	70600091	8C-.100--24" W/ 8PIDC	2	MR502	MR502	70400502	MR502/1N5402 200V, 3A SILICON
				P101					CR108, CR121
2	CLIP1785	70901785	70901785	screw term, 6-32 - pcb mnt.	2	MR812	MR812	70404933	MR812 FAST RECOVERY DIODE
				BR10, BR11					CR104, CR127
4	CLP1183	CLP1183	70901183	FUSECLIP, PC MT - T&A	2	RASN6165	71466165	71466165	JK R/A 12.5MM NIN STEREO -
				FC100, FC101, FC102, FC103	88				
14	EYE090	73700219	73700219	EYELET .090-DRILL-HOLE	1	SAC187	SAC187	70400187	SAC187 200V TO220 TRIAC
	.068-EYELET-HOLE								J100, J103
	EY6, EY7, EY8,			EY1, EY2, EY3, EY4, EY5,					CR116
	EY13, EY14			EY9, EY10, EY11, EY12,	1	SBS14	SBS14	70460014	SBS14 8V TO-92 BI-DIRECTIOAL
						SWITCH T&A			
2	FMPU	73711811	73711811	M118-171 C.B. FEMALE MOLEX					CR117
	PIN				3	SPDU	73716194	73716194	.250 PC MNT SPADE .093 PCB
				J109, J111					J106, J107, J108
1	J174	J174	70460174	J-174 30V TO-92 P-CHAN FET	2	SPX2	SPX2	XXXXXXX	2 EACH OF STAKE PINS
	T&A								J112, J113
				Q100					J112, J113
15	J325	J	70600005	22GA JUMPER WIRES T&R	1	WJ6BK26R	WJ6BK26R	91090525	BLACK-16GA-26"-CPT TO RA
				JP3000, JP3003, JP3004,	250	SPADE			
	JP3008, JP3009,			JP3005, JP3006, JP3007,					J114
	JP3013, JP3014,			JP3010, JP3011, JP3012,	2	WJ6BL8	WJ6BL8	91090524	BLUE-16GA-8"-CPT TO CPT
				JP3015, JP3016,					J101, J104
18	J4	J	70600005	22GA JUMPER WIRES T&R	1	WJ6W8RS	WJ6W8RS	91090523	WHITE-16GA-8"-CPT TO RA
				JP4000, JP4001, JP4002,	250	SPADE			
	JP4003, JP4004,			JP4005, JP4006, JP4007,					J105
	JP4008, JP4009,			JP4010, JP4011, JP4012,	1	WJ6Y12RS	WJ6Y12RS	91090522	YELLOW-16GA-12"-CPT TO RA
	JP4013, JP4014,			JP4015, JP4016, JP4017,	250	SPADE			
									J102
17	J5	J	70600005	22GA JUMPER WIRES T&R					*****
				JP5000, JP5001, JP5002,	REPORT *				* END OF BILL OF MATERIALS
	JP5003, JP5004,			JP5005, JP5006, JP5007,					*****
	JP5008, JP5009,			JP5010, JP5011, JP5012,					
	JP5013, JP5014,			JP5015, JP5016,					
7	J6	J	70600005	22GA JUMPER WIRES T&R					
				JP6000, JP6001, JP6002,					
	JP6003, JP6004,			JP6005, JP6006,					
1	J7	J	70600005	22GA JUMPER WIRES T&R					
				JP7000,					
7	J8	J	70600005	22GA JUMPER WIRES T&R					
				JP8000, JP8001, JP8002,					
	JP8003, JP8004,			JP8005, JP8006,					
1	JMP	JMP	70600005	22 GA. JUMPER WIRE T&R					

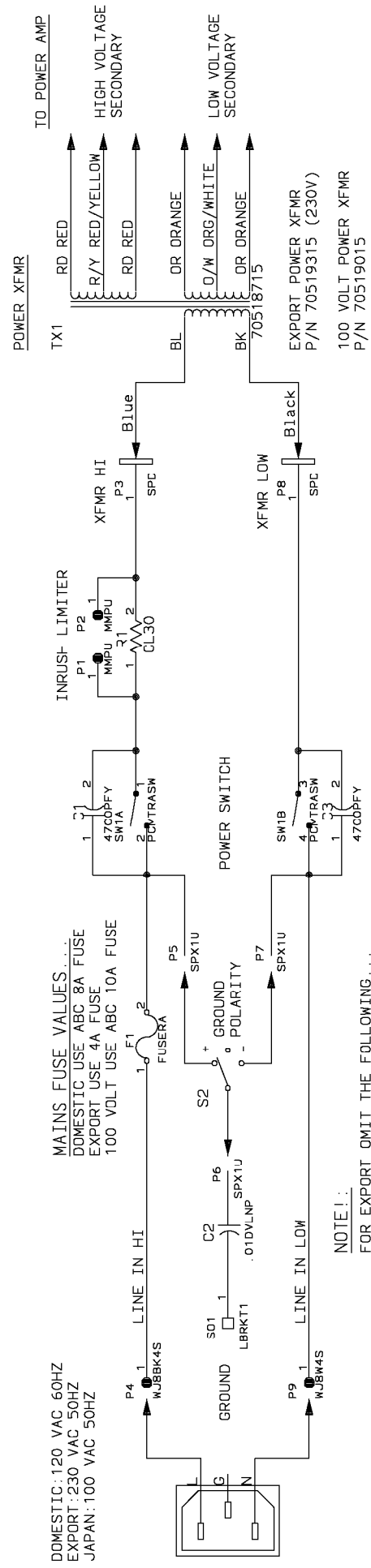


1 2 3 4 5 6 7 8

D C B A

DOMESTIC: 120 VAC 60HZ  
 EXPORT: 230 VAC 50HZ  
 JAPAN: 100 VAC 50HZ

MAINS FUSE VALUES...  
 DOMESTIC USE ABC 8A FUSE  
 EXPORT USE 4A FUSE  
 100 VOLT USE ABC 10A FUSE



NOTE!:  
 FOR EXPORT OMIT THE FOLLOWING...  
 C2, P5, P6, P7, S2

EXPORT POWER XFMR  
 P/N 70519315 (230V)  
 100 VOLT POWER XFMR  
 P/N 70519015

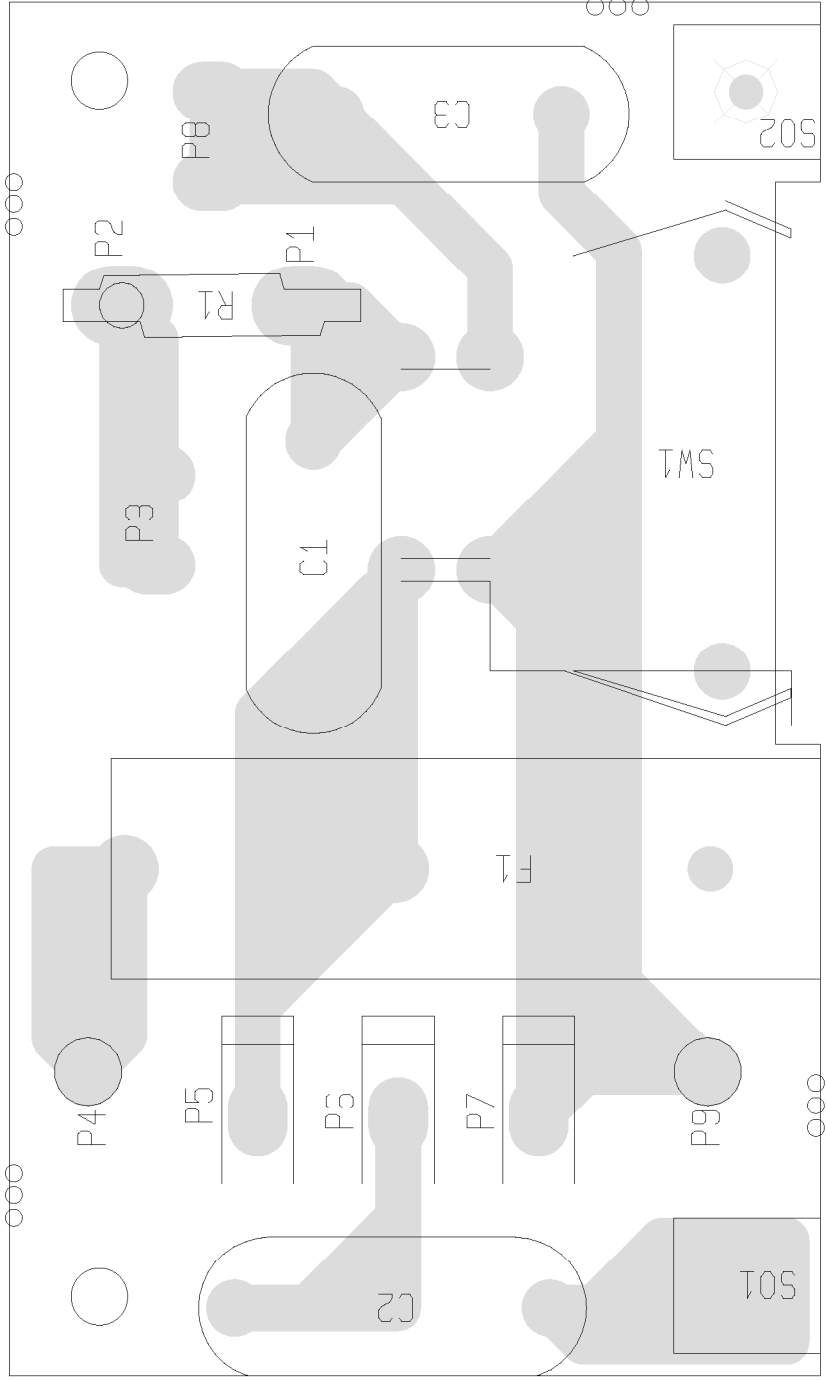
" COMPANY PROPRIETARY INFORMATION "

PEAVEY ELECTRONICS CORP.	
711 A STREET	
MERIDIAN, MISSISSIPPI 39301	
TITLE: COMBO 115 PRIMARY	
DESIGN BY: J. Albert	
SIZE	CODE
B	JRA
PCB #	98899120
ASSY #	99099120
PROJ #	P9800147
DATE:	9-APR-2001
SHEET	1 OF 1

S02 1N/C  
 LBRKT1

COPYRIGHT 2000 PEAVEY ELECTRONICS CORP. PRINTED IN U.S.A.

1 2 3 4 5 6 7 8



COMBO 2000 PRIMARY BD.

C2 (.01 DVL) P5, P6, P7 NOT USED ON EXPORT

BILL OF MATERIALS REPORT

-----  
BOARD NAME: C2KPRIM      REPORT DATE: 10DEC99  
ASSEMBLY LEVEL NUMBER: 99099120    DESIGNER: FREDDIE EAVES  
PROJECT NUMBER: P9700147

CBDS  
PART      PART      DESCRIPTION AND

\*\* QTY. NAME    VALUE    NUMBER    DEVICE DESIGNATIONS \*\*\*\*\*

\*\*\*\*\*

1 98899120 98899120 C2KPRIM    PCB

1 .01DVLNP .01DVLNP 70320104    .01 MFD 125VDC DVL MYLAR +0-20%

C2

2 4700PFY 4700PFY 70320125    4700PF, 400VAC EXP LINE CAP Y

C1, C3

1 CL30    CL30    70240202    INRUSH CURRENT LIMITER

R1

1 FUSERA    70901429 70901429    EXT. FUSEHOLDER, PC MT

F1

2 LBRKT1    71500238 71500238    #74 L-BRACKET W/4-40 HOLE

SO1, SO2

2 MMPU    73711812 73711812    R93-12 PN C.B. MALE MOLEX PIN

P1, P2

1 PCMTRASW PCMTRASW 71322377    PC MOUNT PIGHT ANGLE POWER SWITCH

SW1

2 SPD      73716194 73716194    .250 PC MNT SPADE .093 PCB

P3, P8

3 SPX1U    SPX1U    73717003    1 STAKE PIN

P5, P6, P7

1 WJ8BK4S WJ8BK4S 91090508    BLACK-18GA-4"-CPT TO 250 SPADE

P4

1 WJ8W4S WJ8W4S 91090470    WHITE--18G--4"--CPT/250SPD

P9

\* END OF BILL OF MATERIALS REPORT \*

\*\*\*\*\*