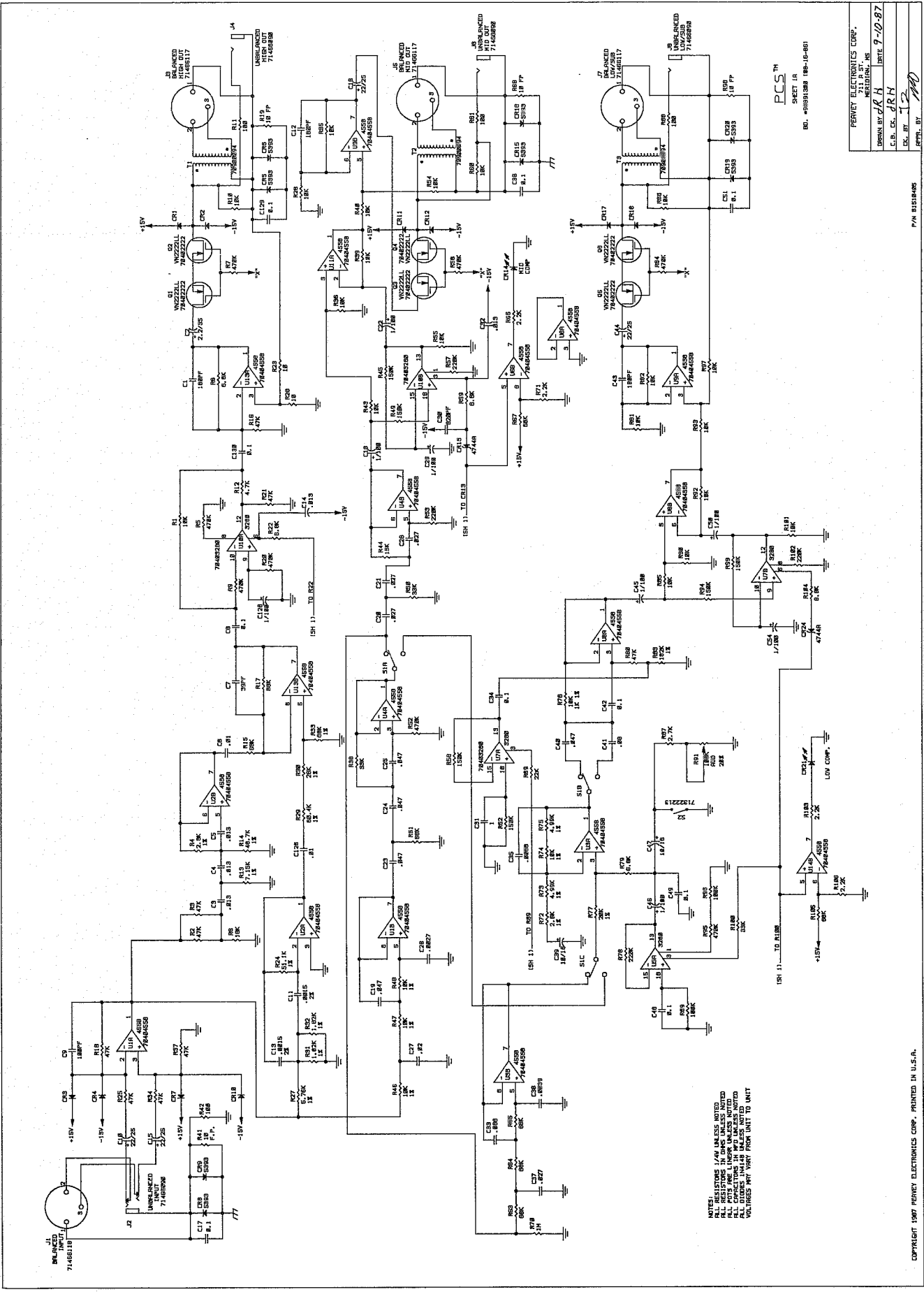


COPYRIGHT 1987 PERVEY ELECTRONICS CORP. PRINTED IN U.S.A.

P/N B518485

PERVEY ELECTRONICS CORP.  
 1000 W. 10TH ST.  
 DENVER, CO 80202  
 DATE: 9-10-87  
 C.E. DEARH  
 S.C. DEARH  
 S.C. DEARH  
 S.C. DEARH

PCS™  
 SHEET 28  
 EQ. #B518485 (88-10-88)



COPYRIGHT 1987 PERVEY ELECTRONICS CORP. PRINTED IN U.S.A.

P/N B518485

PERVEY ELECTRONICS CORP.  
 1000 W. 10TH ST.  
 DENVER, CO 80202  
 DATE: 9-10-87  
 C.E. DEARH  
 S.C. DEARH  
 S.C. DEARH  
 S.C. DEARH

PCS™  
 SHEET 18  
 EQ. #B518485 (88-10-88)