

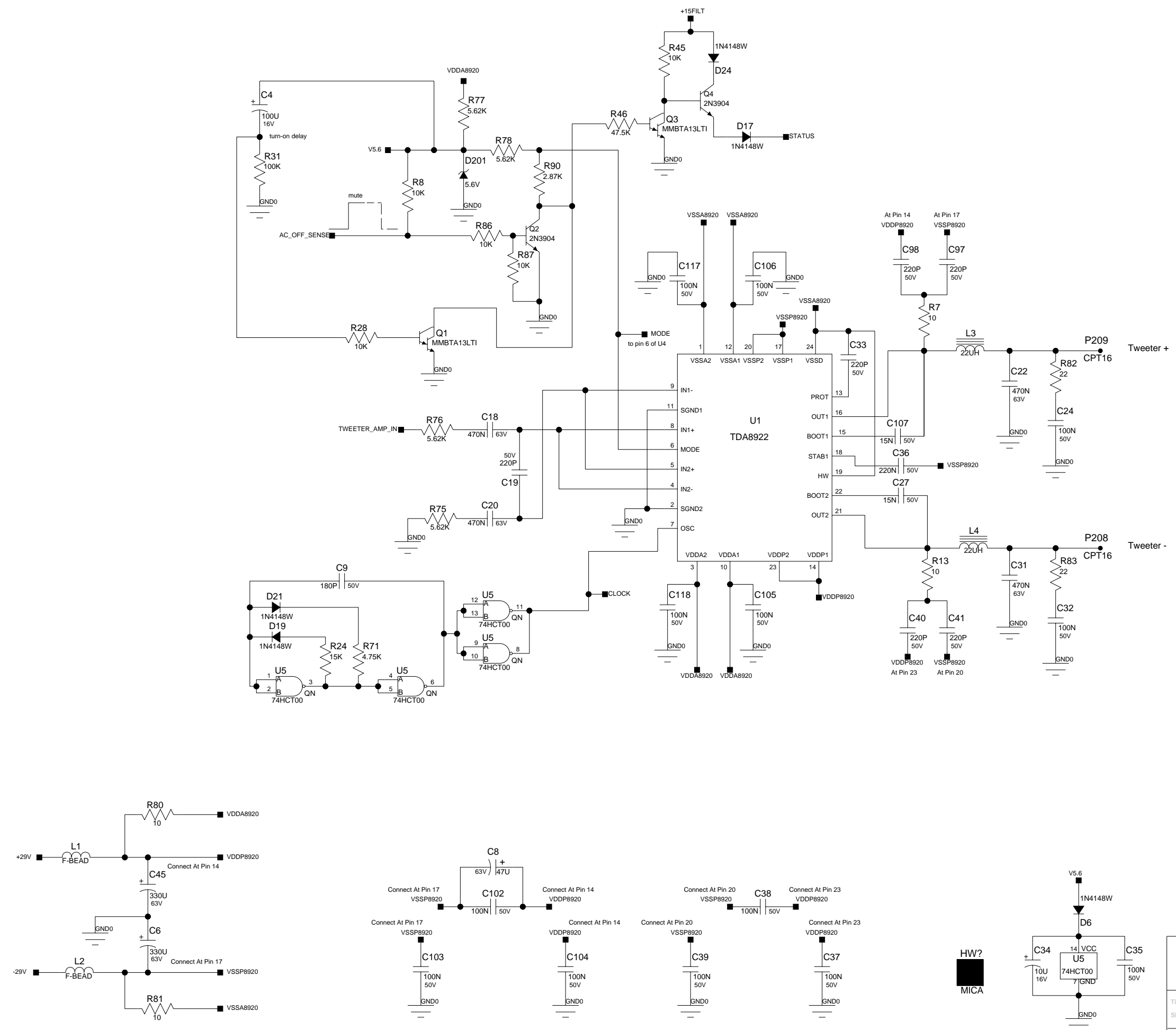
Title: PR\_CLASS\_D\_I  
 Sheet Title:

A

A

B

B



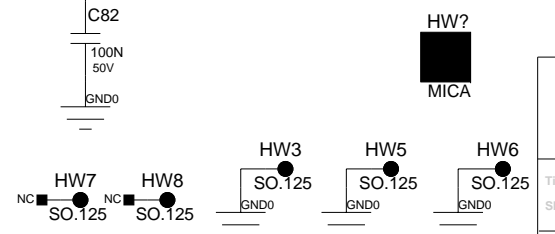
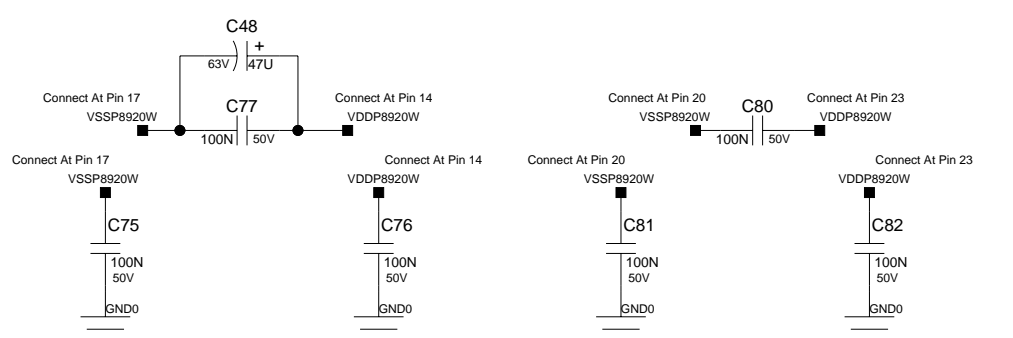
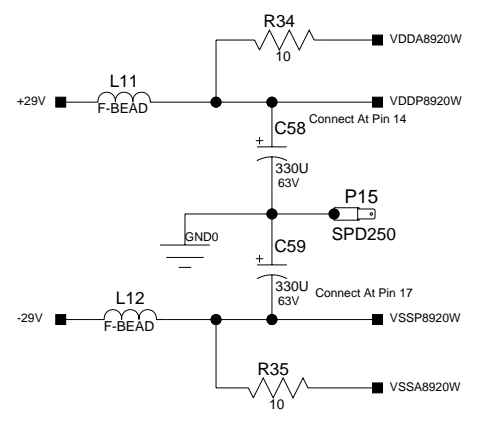
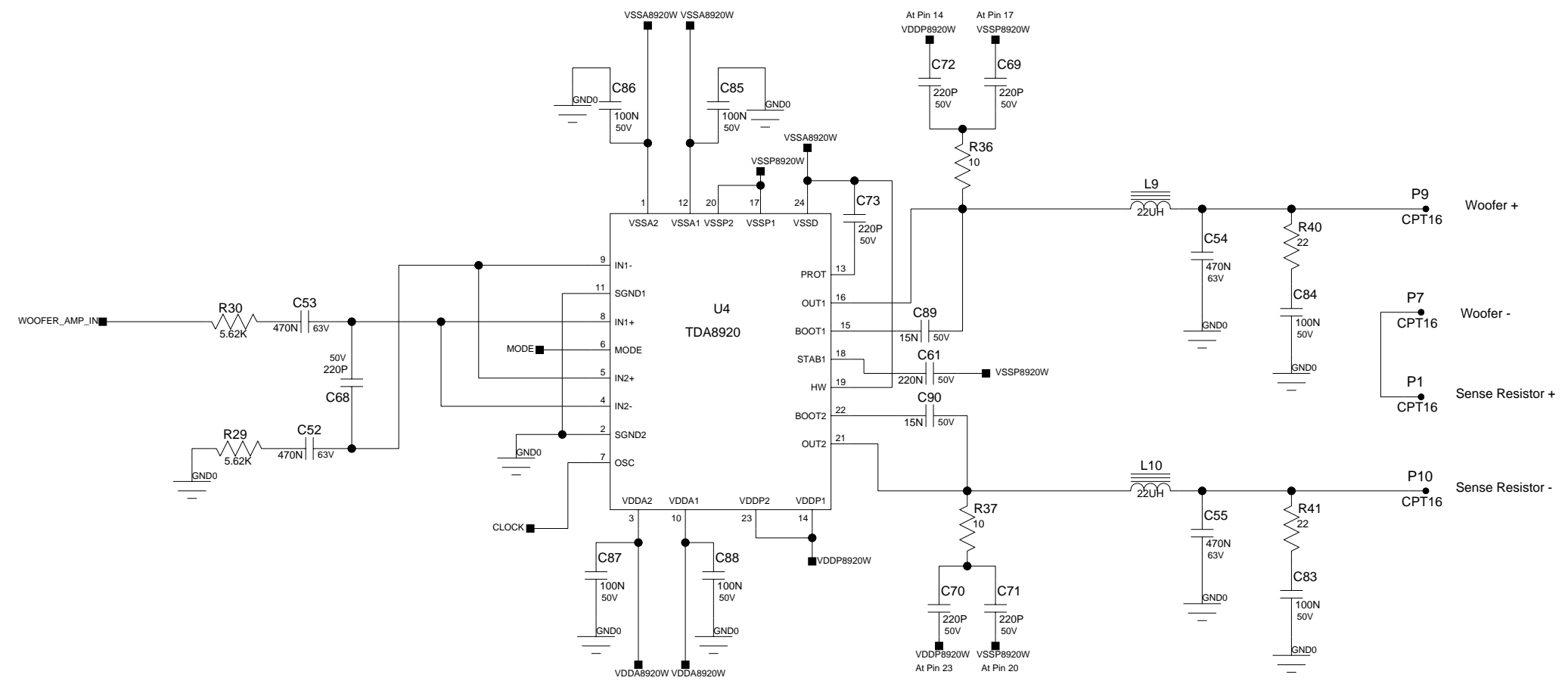
Title: PR\_CLASS\_D\_I  
Sheet Title:

A

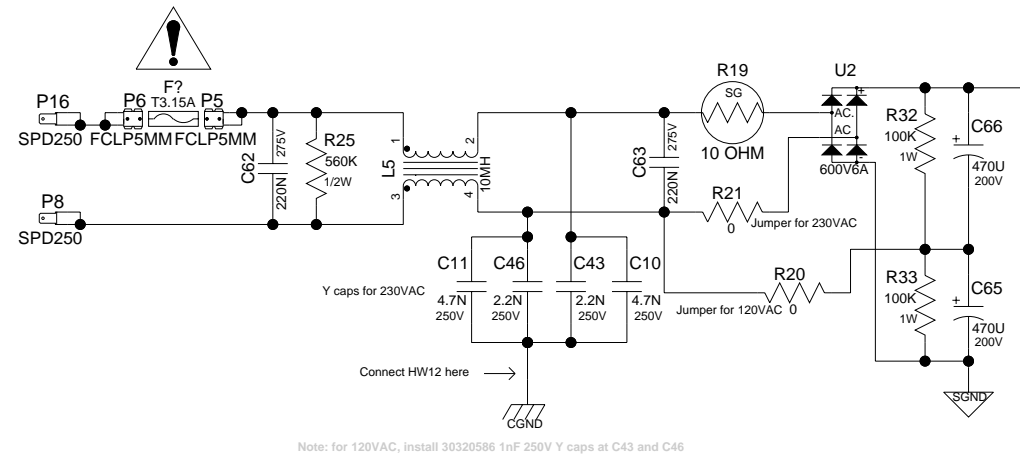
A

B

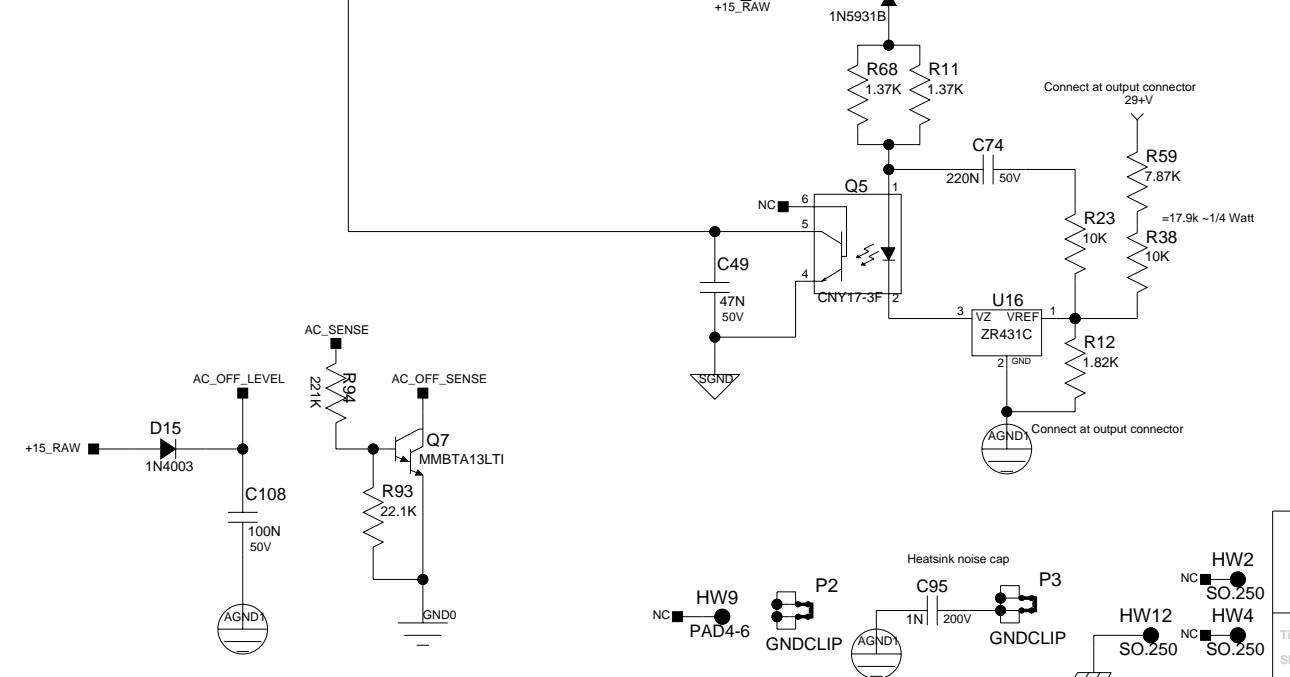
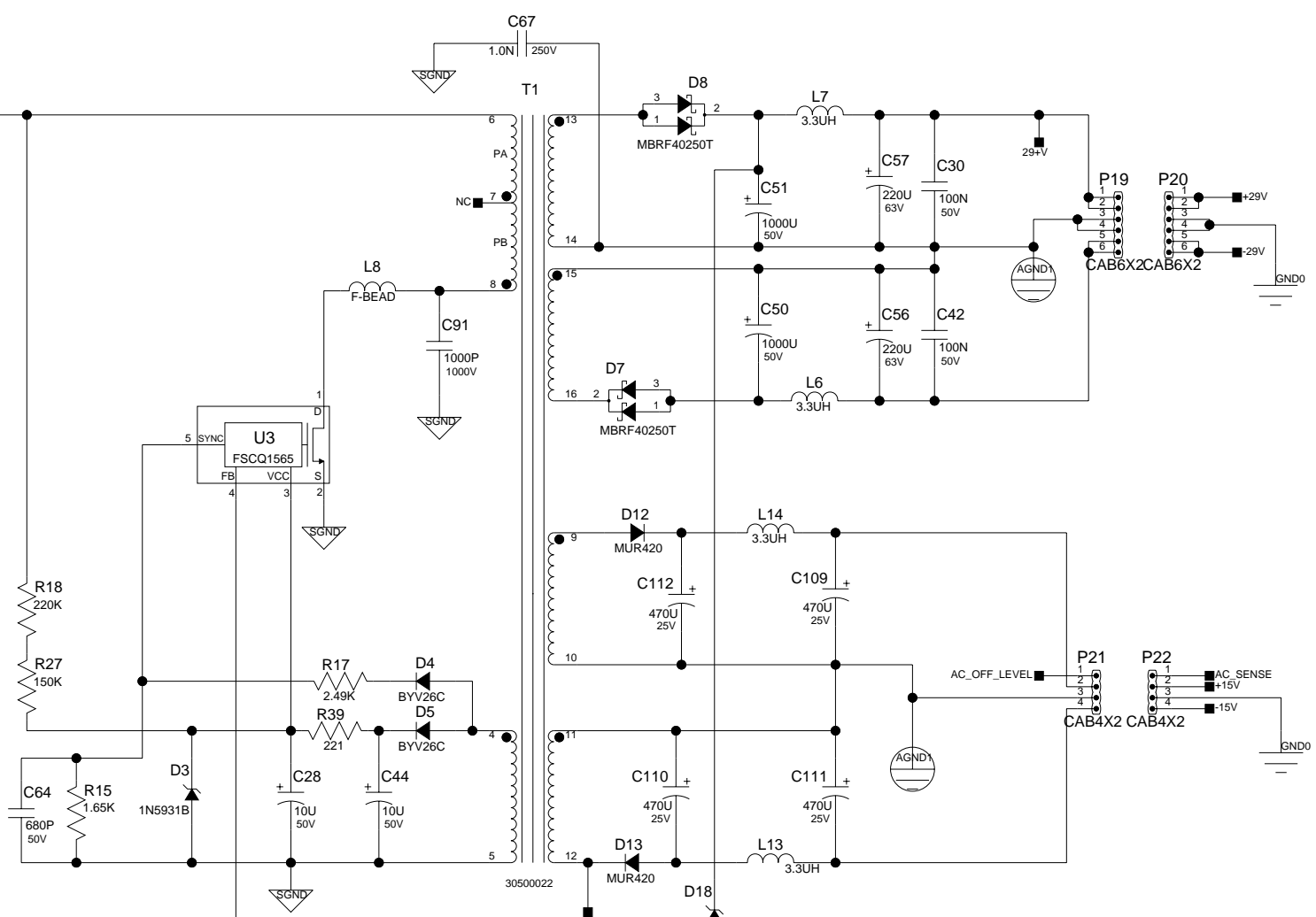
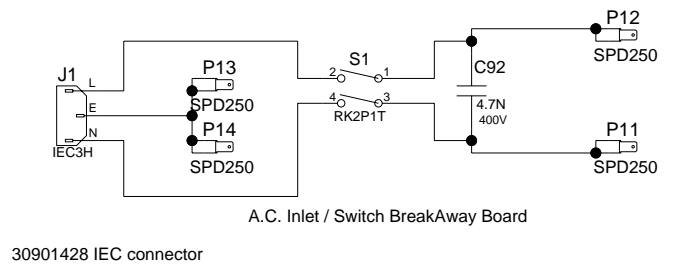
B



Title: PR\_CLASS\_D\_I  
 Sheet Title:



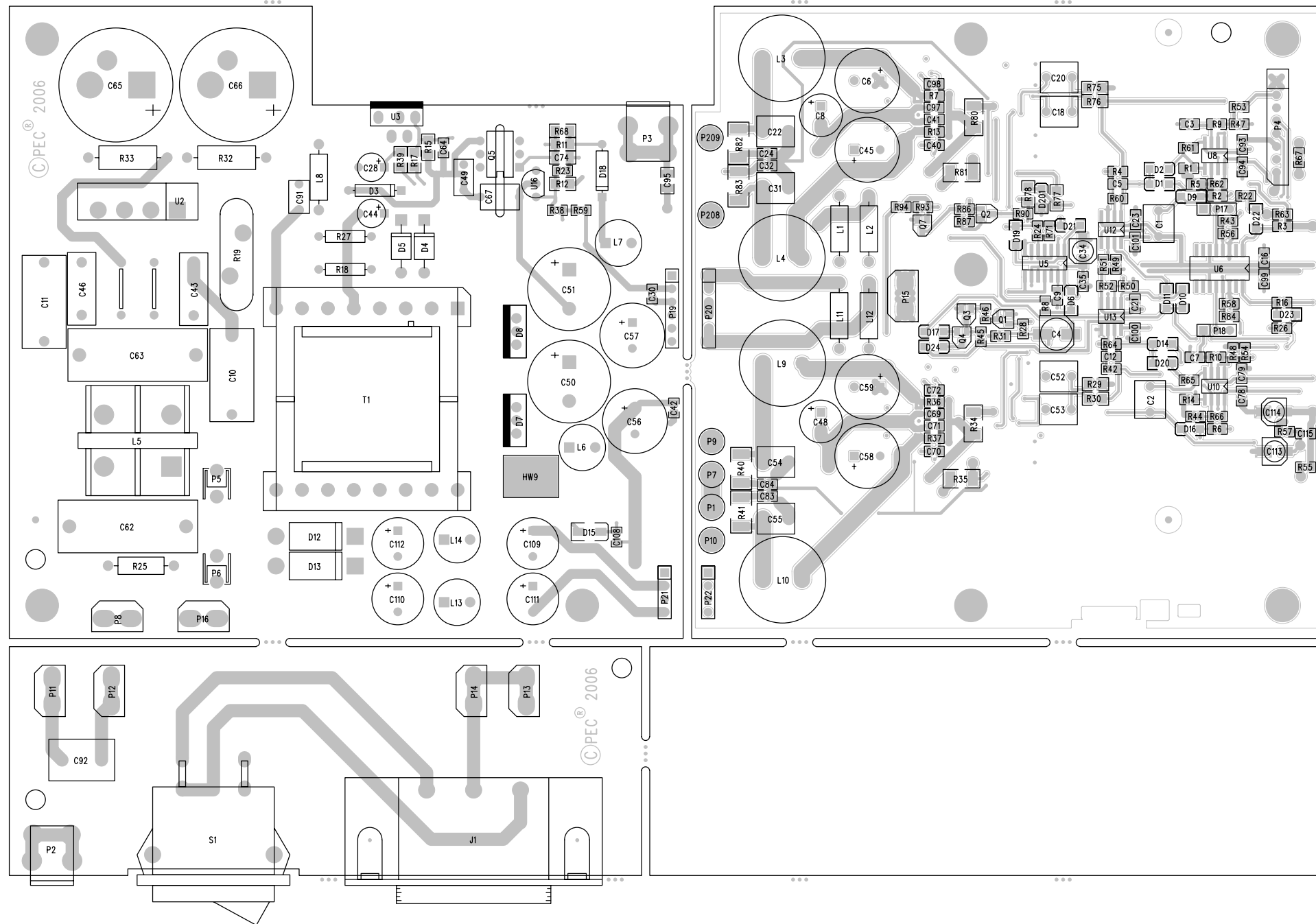
Note: for 120VAC, install 30320586 1nF 250V Y caps at C43 and C46

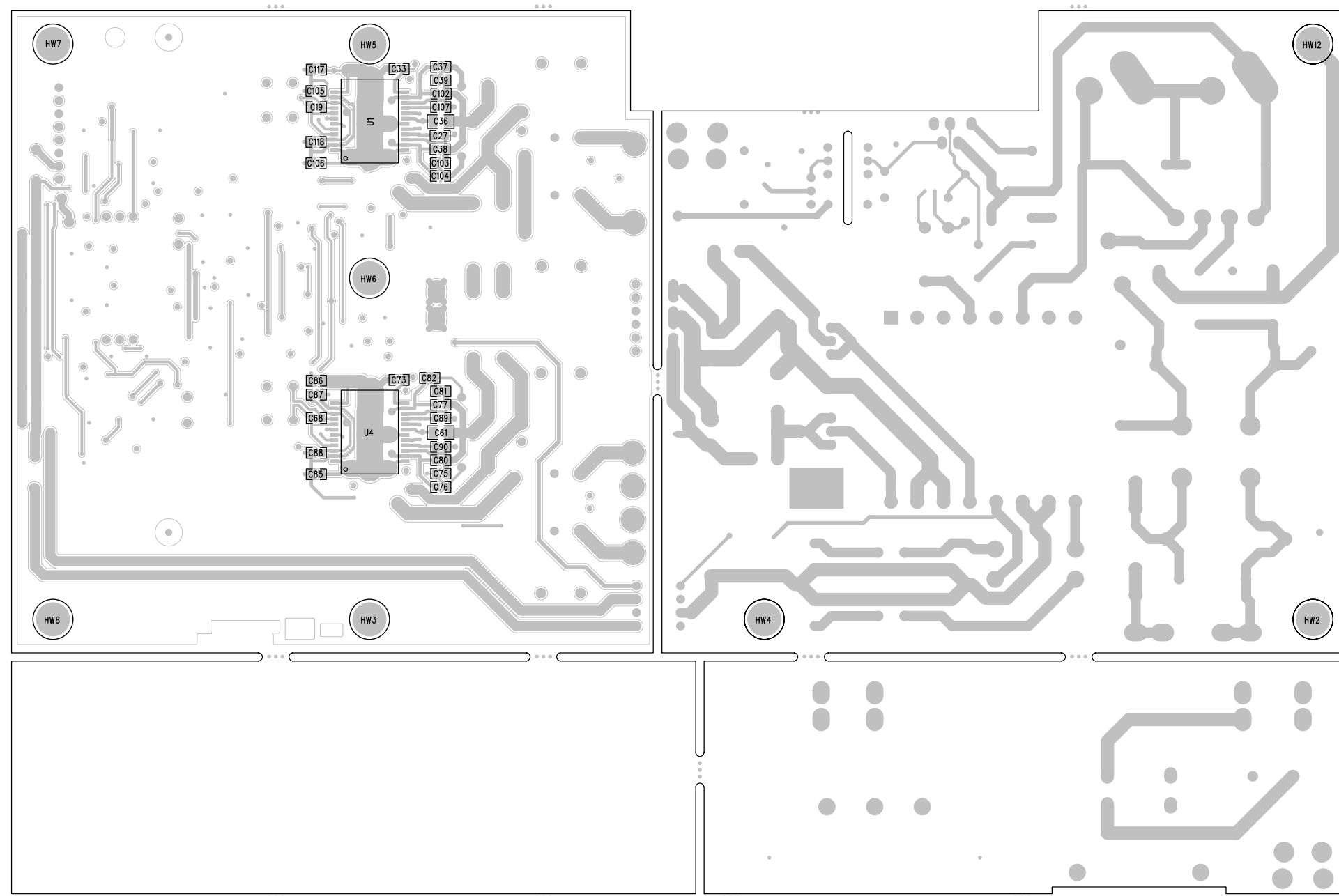


**PEAVEY**  
Peavey Electronics Corp.  
P. O. Box 2898  
Meridian, MS 39301

Title: **PR\_CLASS\_D\_I**  
Sheet Title:

C Sheet 5 of 5 Date: 2-29-2008\_13:31





BILL OF MATERIAL REPORT

-----

REPORT DATE/TIME: 6/20/2008 9:46:22 AM

BOARD NAME: PR Class D Power Amp      ASSEMBLY LEVEL NUMBER: 29098361

PROJECT NUMBER: P0600061      DESIGNER: FJE

Qty.	Part #	Description	Reference Designators
-----			
--			
1	30200098	1.65K 1/4W 1% MF 1206	R15
6	30200118	5.62K 1/4W 1% MF 1206	R29 R30 R75 R76 R77 R78
2	30200154	1.37K 1/4W 1% MF 1206	R11 R68
1	30200157	1.82K 1/4W 1% MF 1206	R12
2	30200164	0.0 JUMPER SMT 0805	R53 R54
19	30200174	10K 1/10W 1% MF 0805	R1 R2 R3 R4 R5 R6 R8 R14 R16 R23 R28 R38 R42 R43 R44 R45 R84 R86 R87
2	30200181	100 1/10W 1% MF 0805	R56 R58
5	30200194	100K 1/10W 1% MF 0805	R31 R61 R62 R65 R66
6	30200196	10 1/10W 1% MF 0805	R7 R13 R36 R37 R55 R57
1	30200205	47.5K 1/10W 1% MF 0805	R46
1	30200220	221 1/4W 1% MF 1206	R39
1	30200224	2.49K 1/4W 1% MF 1206	R17
4	30200238	22 1W 5% MF 2512	R40 R41 R82 R83
2	30200241	4.70 1/10W 1% MF 0805	R63 R67
1	30200251	4.75K 1/10W 1% MF 0805	R71
3	30200256	22.1K 1/10W 1% MF 0805	R60 R64 R93
1	30200329	7.5K 1/10W 1% MF 0805	R50



2	30200330	33.2K	1/10W	1%	MF	0805	R9 R10
1	30200334	15.0K	1/10W	1%	MF	0805	R24
1	30200342	221K	1/10W	1%	MF	0805	R94
4	30200358	10	1/2W	1%	MF	2010	R34 R35 R80 R81
5	30200408	2.87K	1/10W	1%	MF	0805	R47 R48 R51 R52 R90
3	30200494	12.4K	1/10W	1%	MF	0805	R22 R26 R49
1	30200512	7.87K	1/10W	1%		0805	R59
2	30210017	100K	1W	5%	MO	AXL	R32 R33
1	30230046	560K	1/2W	5%	FP	AXL	R25
1	30240035	150K	1/4W	5%	CF	AXL	R27
1	30240036	220K	1/4W	5%	CF	AXL	R18
1	30240200	10 OHM	3A			INRUSH LIMITER	R19
3	30300069	0.22UF	50V	10%	X7R	1206	C36 C61 C74
3	30300080	10UF	16V	20%	EL	SMT4	C34 C113 C114
1	30300083	100UF	16V	20%	EL	SMT6	C4
1	30300088	100PF	50V	5%	NPO	0805	C5
14	30300089	220PF	50V	5%	NPO	0805	C3 C7 C19 C33 C40 C41 C68 C69 C70 C71 C72 C73 C97 C98
39	30300093	0.1UF	50V	10%	X7R	0805	C16 C21 C23 C24 C30 C32 C35 C37 C38 C39 C42 C75 C76 C77 C78 C79 C80 C81 C82 C83 C84 C85 C86 C87 C88 C93 C94 C99 C100 C101 C102 C103 C104 C105 C106 C108 C115 C117 C118
1	30300109	1000PF	200V	5%	NPO	1206	C95
1	30300147	680PF	50V	5%	NPO	0805	C64
4	30300154	0.015UF	50V	10%	X7R	0805	C27 C89 C90 C107

1	30300169	180PF 50V 5% NPO 0805	C9
1	30300174	1000PF 100V 5% NPO 0805	C12
1	30320114	4700PF 400V 20% "X" RADH	C92
2	30320185	10UF 50V 20% ELL RAD	C28 C44
2	30320270	4700PF 250V 20% "Y" RADH	C10 C11
2	30320322	2200PF 250V 20% "Y" RADH	C43 C46
4	30320323	330UF 63V 20% ELS RADH	C6 C45 C58 C59
4	30320324	470UF 25V 20% ELS RAD	C109 C110 C111 C112
2	30320327	0.22UF 275V 20% "X" RADH	C62 C63
2	30320566	220UF 63V 20% EL LOW ESR	C56 C57
2	30320581	1000UF 50V 20% EL RADH	C50 C51
2	30320582	470UF 200V 20% EL SNAP IN	C65 C66
1	30320586	1000PF 250V 20% "Y2" RADH	C67
2	30320623	47UF 63V 20% EL RAD	C8 C48
1	30320667	1000PF 1000V 10% CER RAD	C91
1	30330136	0.047UF 50V 5% PE RAD	C49
2	30330158	1UF 63V 5% PES RAD	C1 C2
8	30330159	0.47UF 63V 5% PES RAD	C18 C20 C22 C31 C52 C53 C54 C55
2	30400026	1A 600V 35N -DIODE T&R	D4 D5
1	30400035	QUASI RESONANT PWR SWITCH	U3
1	30400173	CNY17-3F BASELESS OPTO	Q5
1	30400605	BR RECT INLINE 600V 6A	U2
2	30403603	MBRF40250T DL SCHOTKY DIODE	D7 D8
2	30405931	1N5931B, 18V, 1.5W, ZENER	D3 D18
1	30407431	ZR431C ADJ SHUNT REG. RAD	U16
1	30418042	74HCT00 4- 2IN NAND SO14	U5
3	30418051	MMBTA13LTI NPN DARL. SMT	Q1 Q3 Q7

4	30418053	4560 DUAL OPAMP SO8	U8 U10 U12 U13
2	30418135	2N3904 NPN SOT23	Q2 Q4
1	30418231	NJM13700 DUAL OTA SMT	U6
1	30418261	1N4003 - SMT - SMA PKG	D15
15	30418328	1N4148W SWITCHING DIODE	D1 D2 D6 D9 D10 D11 D14 D16 D17 D19 D20 D21 D22 D23 D24
1	30418546	5.6V ZENER (SOD123)-SMT	D201
1	30418646	TDA8920 CLASS D POWER AMP	U4
1	30418675	TDA8922 CLASS D POWER AMP	U1
2	30420420	MUR420 FAST RECOVERY DIODE	D12 D13
1	30500022	ESCORT 150 POWER TRANSFORMER	T1
5	30502122	FERRITE BEAD INDUCTOR T&R	L1 L2 L8 L11 L12
4	30504103	22UH, 5A INDUCTOR	L3 L4 L9 L10
1	30519985	COMMON MODE CHOKE	L5
4	30519989	OUTPUT CHOKE (SLUG CORE)	L6 L7 L13 L14
2	30600087	4C .100 STRP SRCON 2"	P21 P22
2	30600136	0 OHM 22GA JMPR AXL	R20 R21
2	30651168	6C .100 STRP STRP 2" JMP	P19 P20
3	30900915	SPCR, H, T4-40X1/4, SW, NK, KN	HW2 HW4 HW12
1	30901428	PWR INLET, RA SCREW MT PC RA GND	J1
2	30901714	FUSE CLIP, 5 X 20MM -T&A	P5 P6
2	30901785	SCREW TERM, 6-32 -PCB MT	P2 P3
2	30901888	4-40X.25X.125--BRASS	HW7 HW8
3	30901892	STND .125 .114HW, SW, NB	HW3 HW5 HW6
1	31322377	SWITCH 2P1T ROCKER PC H	S1
7	33716194	SPADE .250 PC MNT .093	P8 P11 P12 P13

			P14 P15 P16
1	33716721	8 HDR V SPOX 2.5MM TIN	P4
2	33717052	3 HDR V SR .100" TIN	P17 P18
6	CABL13817	16GA W/CRIMP TERM 73713817	P1 P7 P9 P10 P208 P209
6	FIDUCIAL	????????????????????????????????????	FD1 FD2 FD3 FD4 FD5 FD6
1	PCB_PAD46	PCB PAD #4-#6 MACH SCRW	HW9

-----  
 END OF BILL OF MATERIAL REPORT  
 -----