

REVISION RECORD			
LTR	ECO NO.	APPROVED:	DATE:

D

D

C

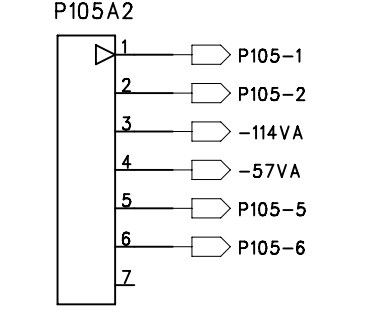
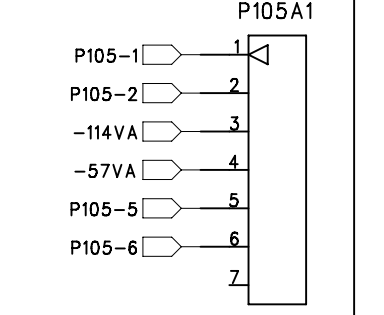
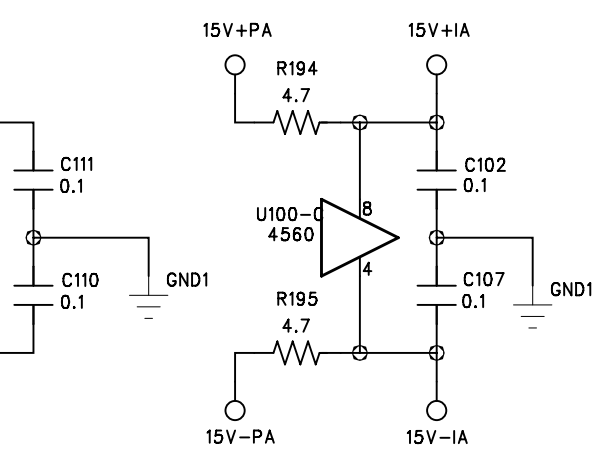
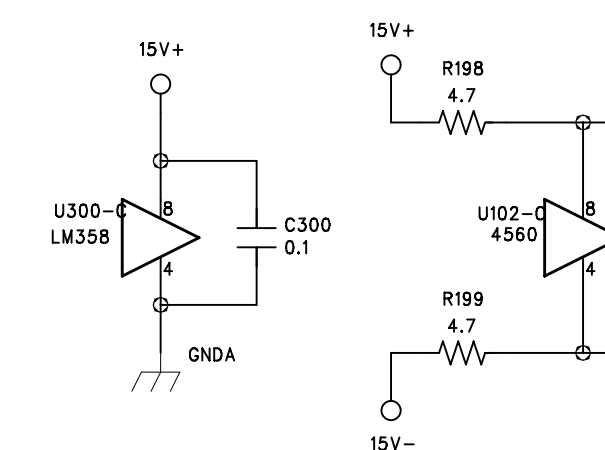
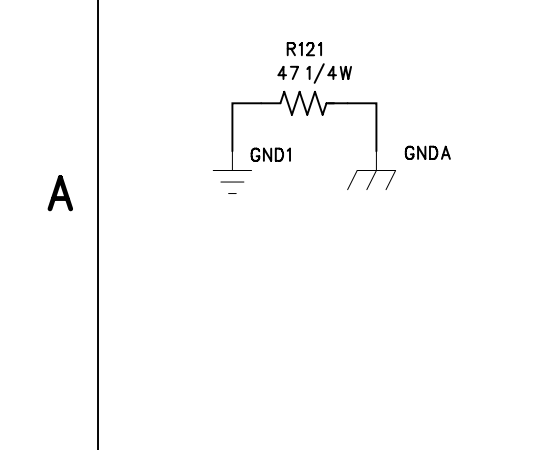
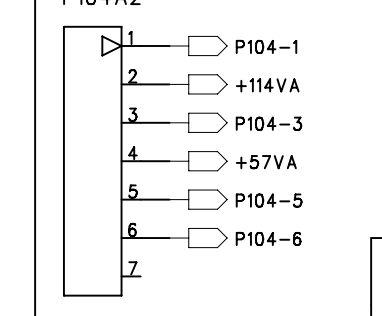
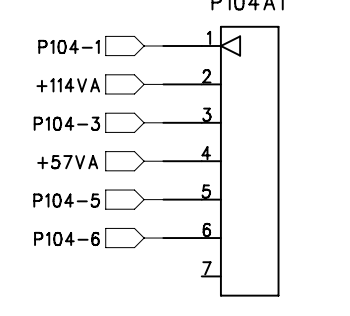
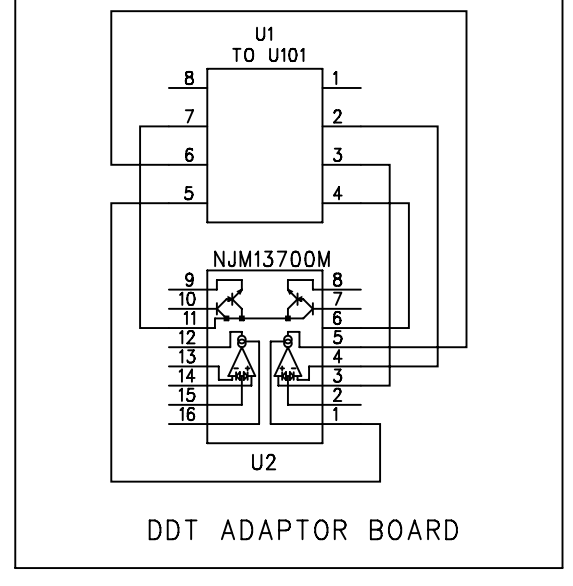
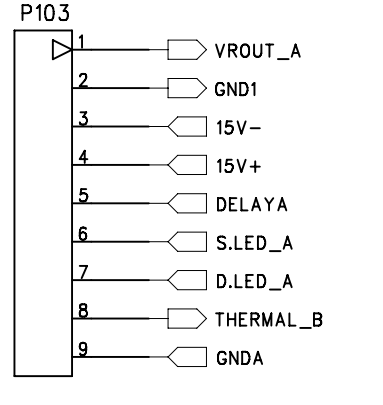
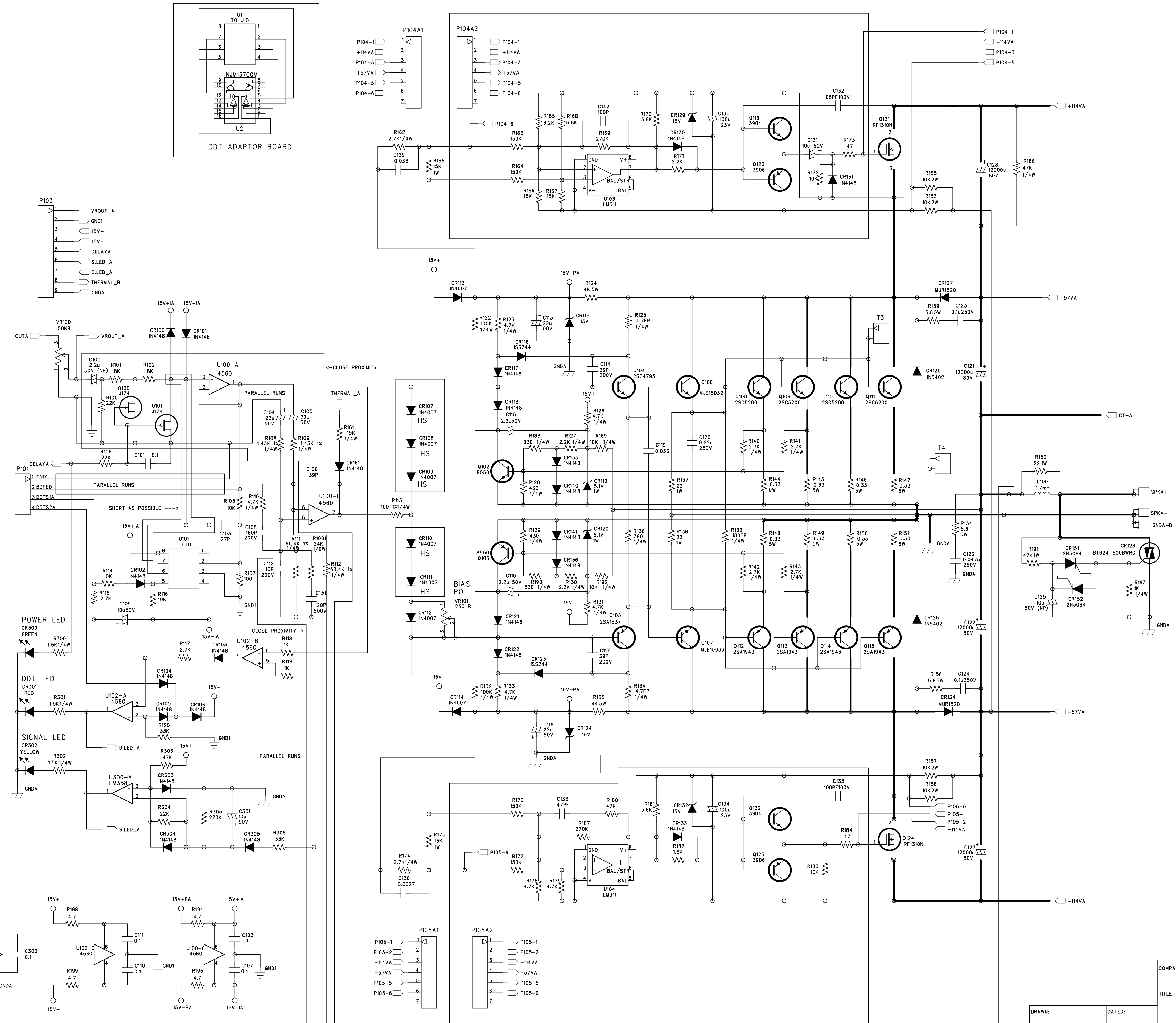
C

B

B

A

A



COMPANY: Peavey Electronics Corp.			
TITLE: POWER AMPLIFIER (CH. A)			
DRAWN:	DATED:	CODE: PV-2600	SIZE:
CHECKED:	DATED:	DRAWING NO.:	REV.:
QUALITY CONTROL:	DATED:	SCALE:	SHEET: 2 OF 4
RELEASED:	DATED:		

REVISION RECORD			
LTR	ECO NO:	APPROVED:	DATE:

6

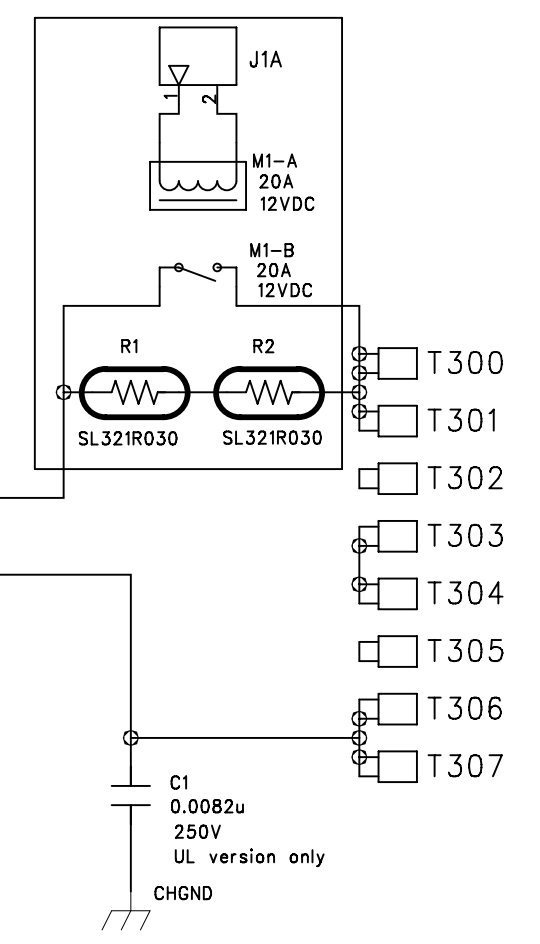
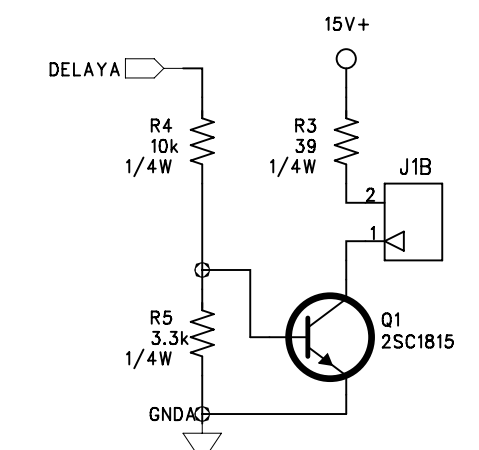
5

4

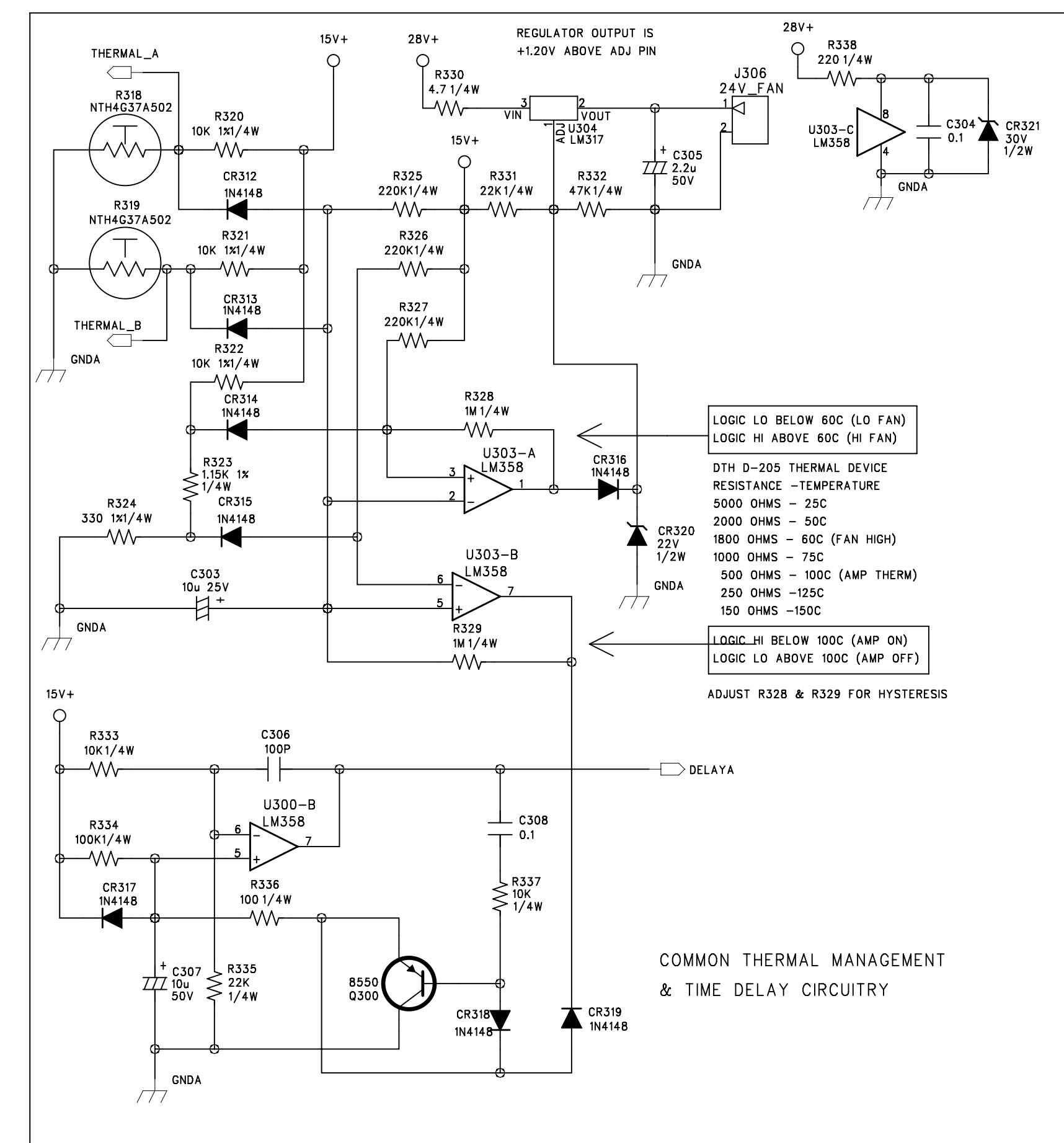
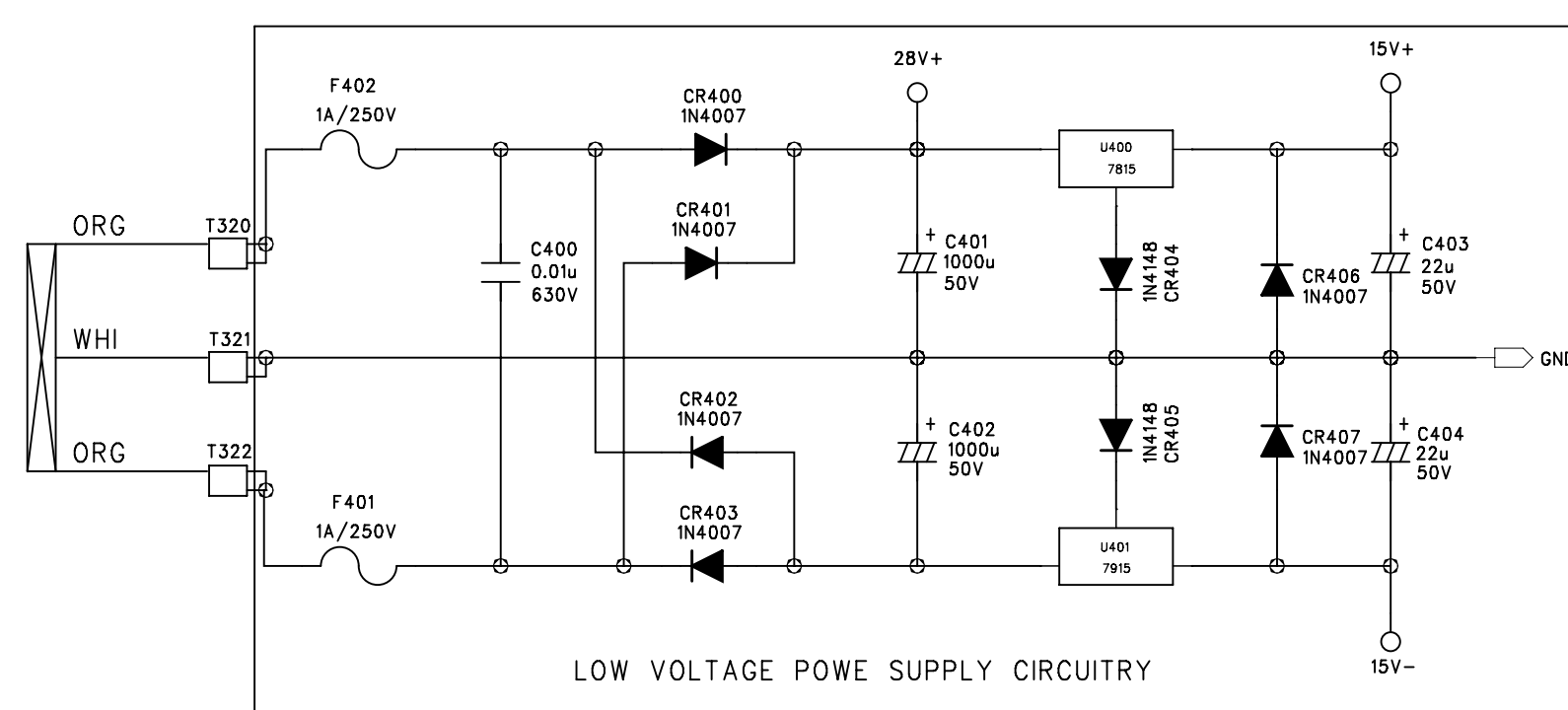
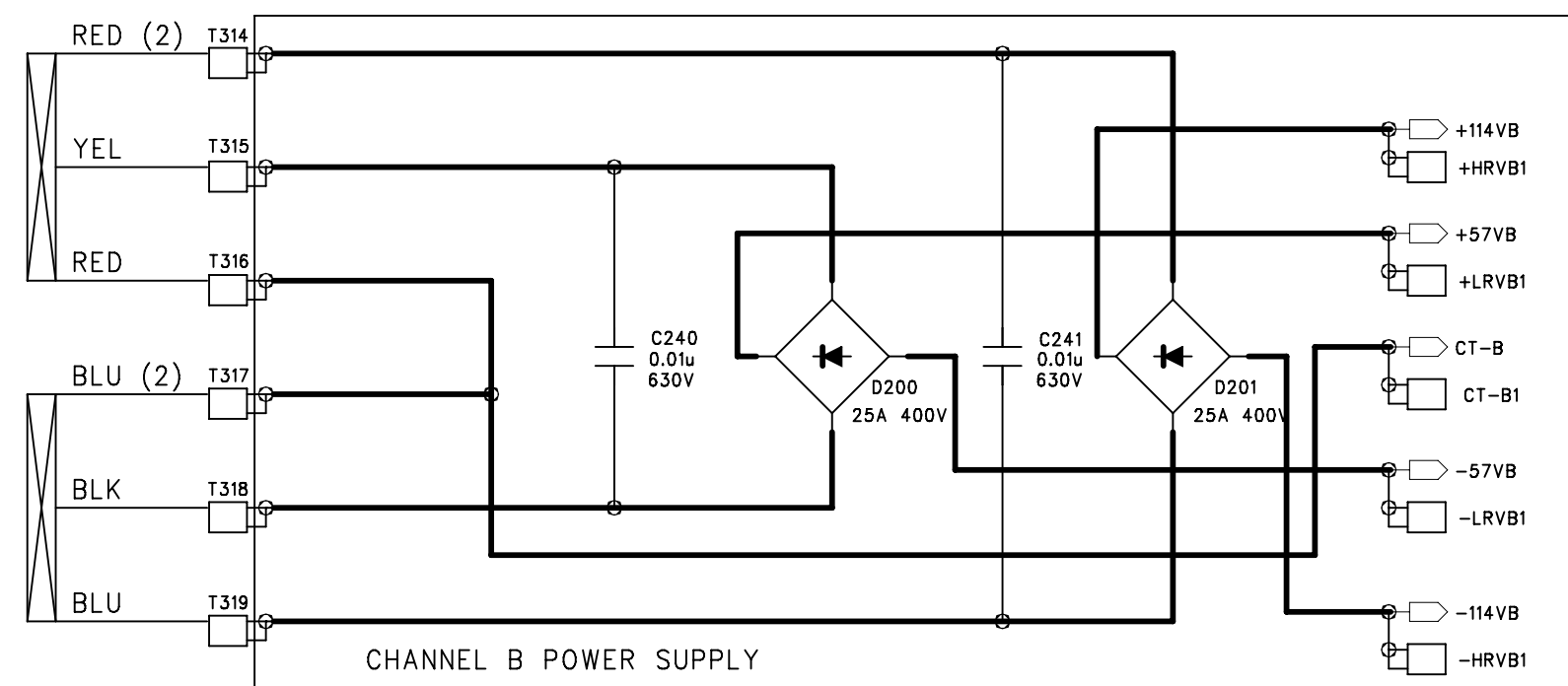
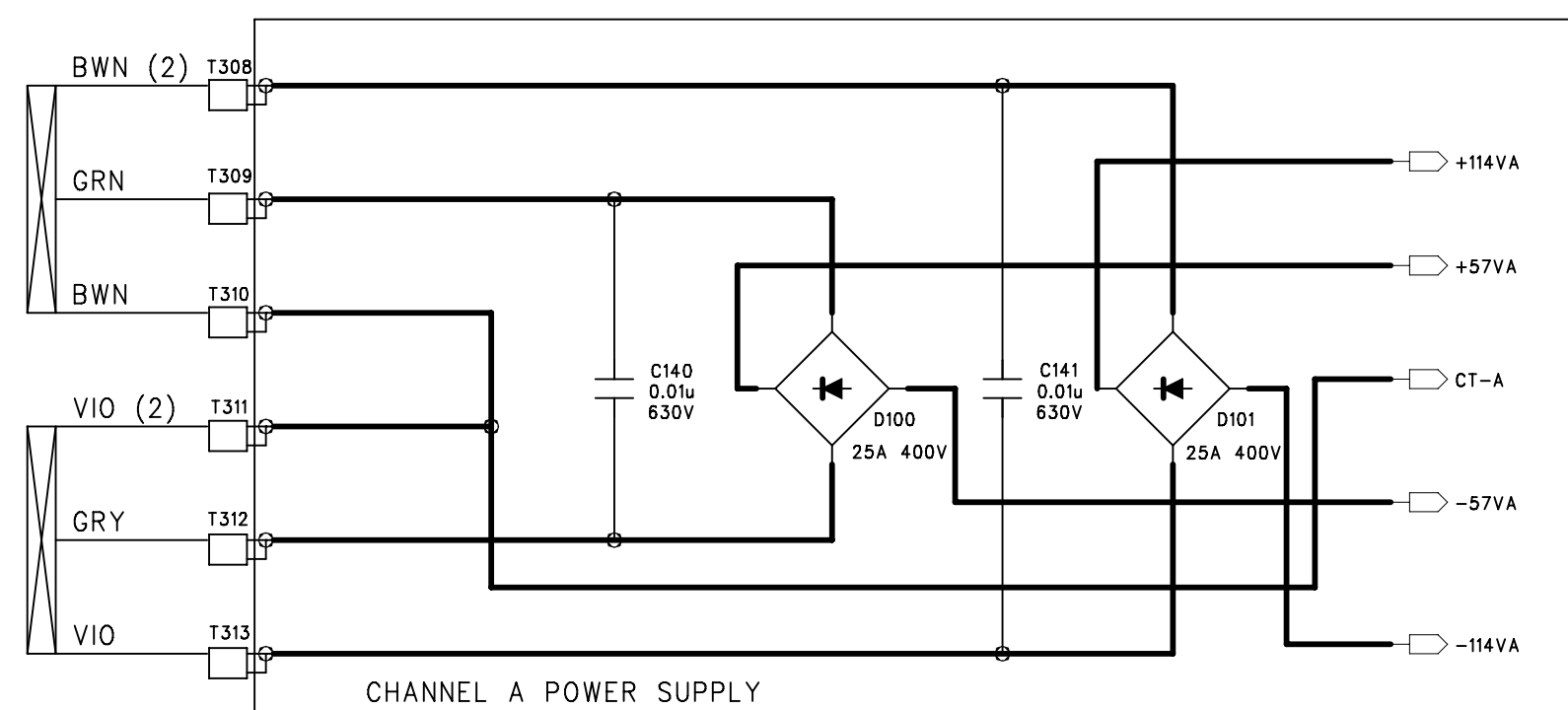
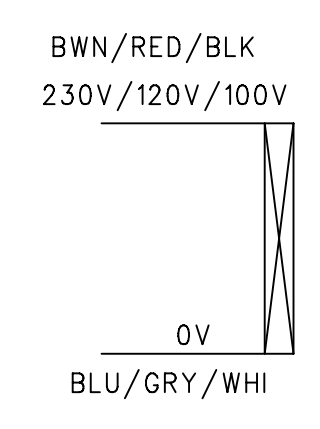
3

2

1



MAINS SELECT		
230V	120V	100V
PRIMARY LEADS		
BWN	RED	BLK
-	-	-
-	-	-
-	-	-
-	-	-
-	-	-
-	-	-
-	-	-
-	-	-
BLU	GRY	WHI
CIRCUIT BREAKER		
8A	15A	15A
250V	125V	125V
SURGE LIMITER		
30A	30A	30A
2X1 ohm	1 ohm	1 ohm



LOGIC LO BELOW 60C (LO FAN)  
LOGIC HI ABOVE 60C (HI FAN)

DTH D-205 THERMAL DEVICE  
RESISTANCE - TEMPERATURE  
5000 OHMS - 25C  
2000 OHMS - 50C  
1800 OHMS - 60C (FAN HIGH)  
1000 OHMS - 75C  
500 OHMS - 100C (AMP THERM)  
250 OHMS - 125C  
150 OHMS - 150C

LOGIC HI BELOW 100C (AMP ON)  
LOGIC LO ABOVE 100C (AMP OFF)

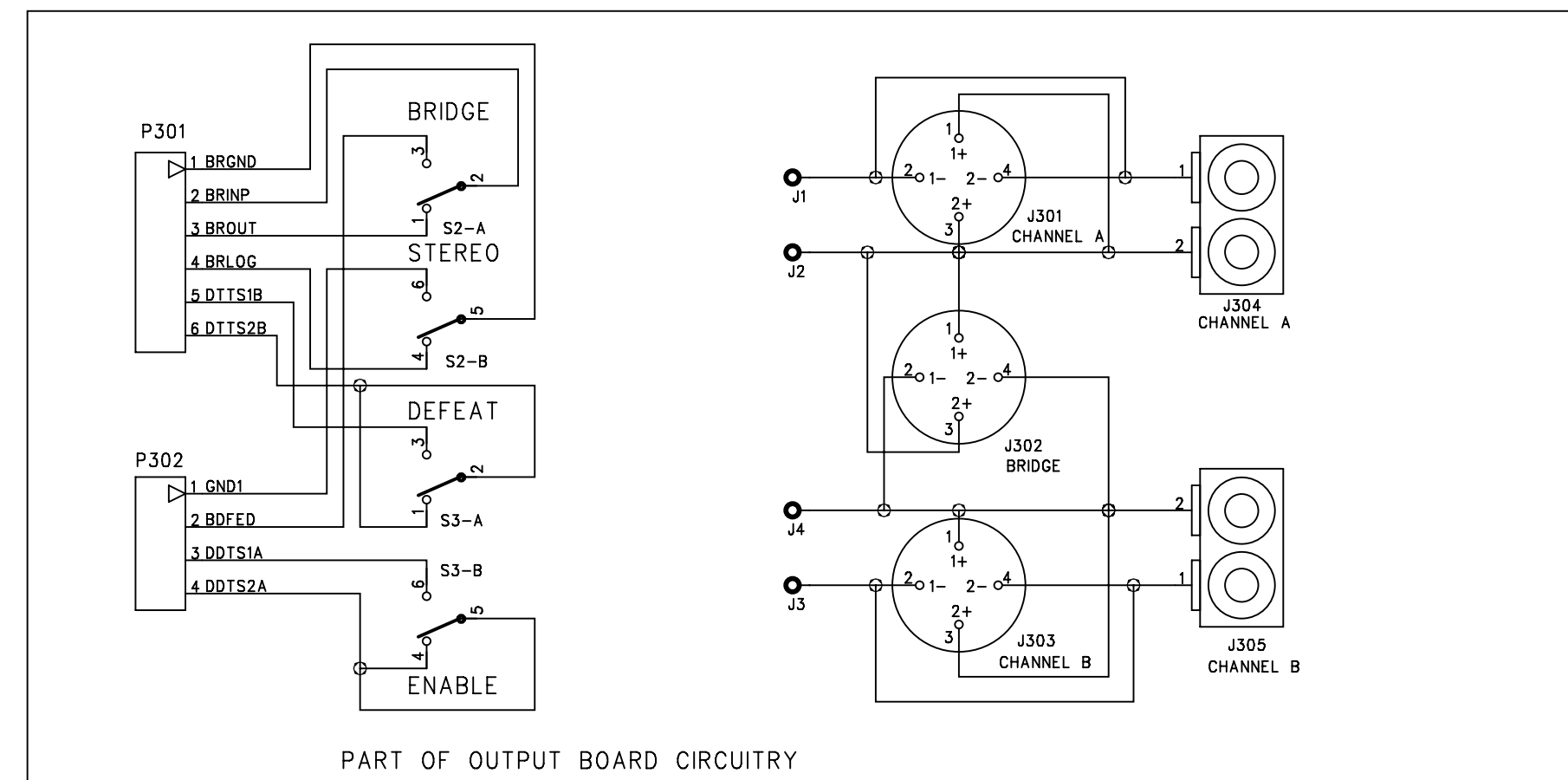
ADJUST R328 & R329 FOR HYSTERESIS

D

C

B

A



D

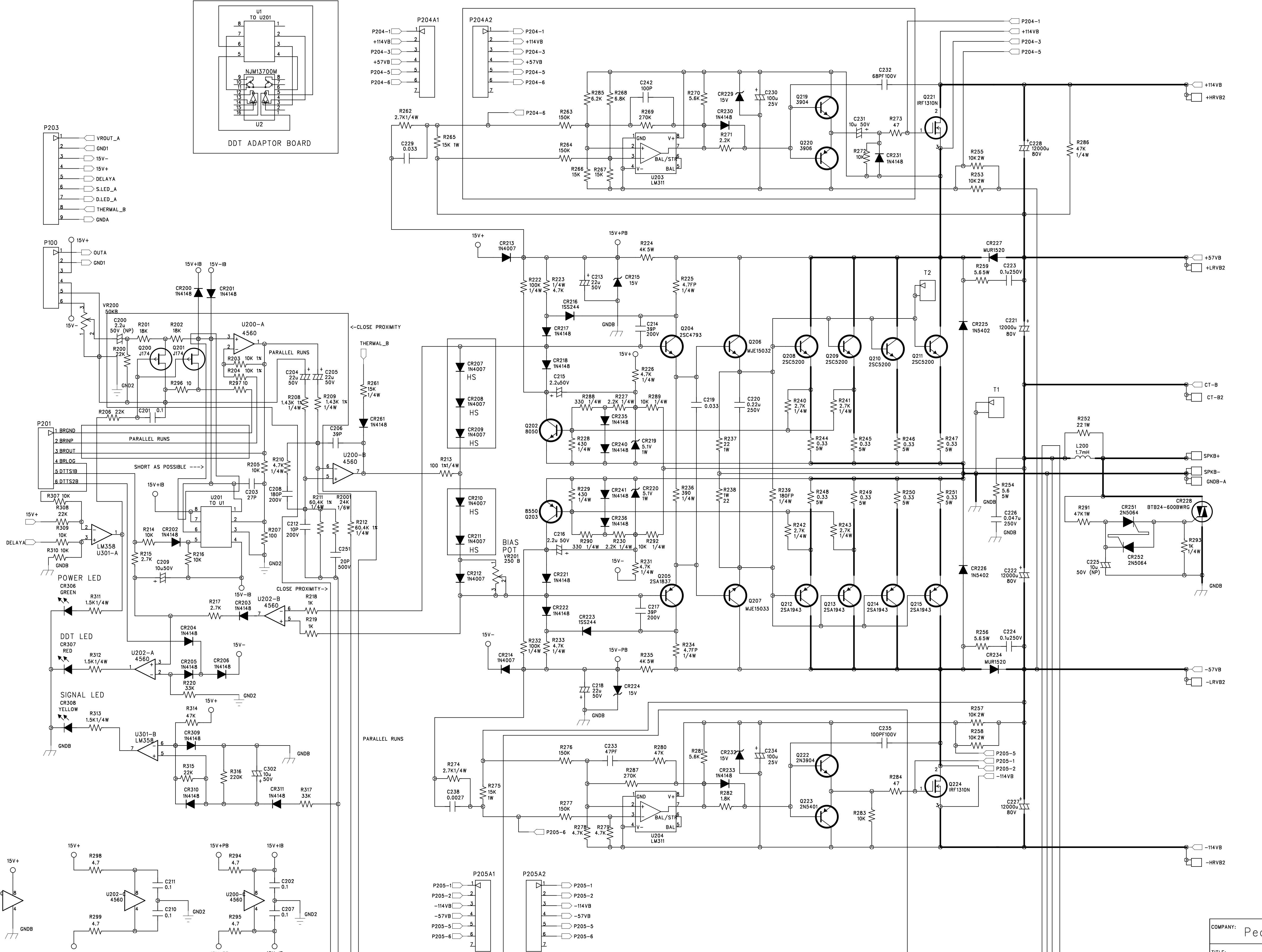
C

B

A

COMPANY: Peavey Electronics Corp.	
TITLE: POWER AMP (OUTPUT, POWER SUPPLY, COMMON THERMAL MANAGEMENT & TIME DELAY CIRCUITRY)	
DRAWN:	DATED:
CHECKED:	DATED:
QUALITY CONTROL:	DATED:
RELEASED:	DATED:
CODE: PV-2600	SIZE:
DRAWING NO:	REV:
SCALE:	SHEET: 4 OF 4

REVISION RECORD			
LTR	ECO NO.	APPROVED:	DATE:



D

D

C

C

B

B

A

A

COMPANY: Peavey Electronics Corp.				
TITLE: POWER AMPLIFIER (CH. B)				
CHECKED:	DATED:	CODE: PV-2600	SIZE:	DRAWING NO.:
QUALITY CONTROL:	DATED:			REV:
RELEASED:	DATED:			SCALE:
				SHEET: 3 OF 4