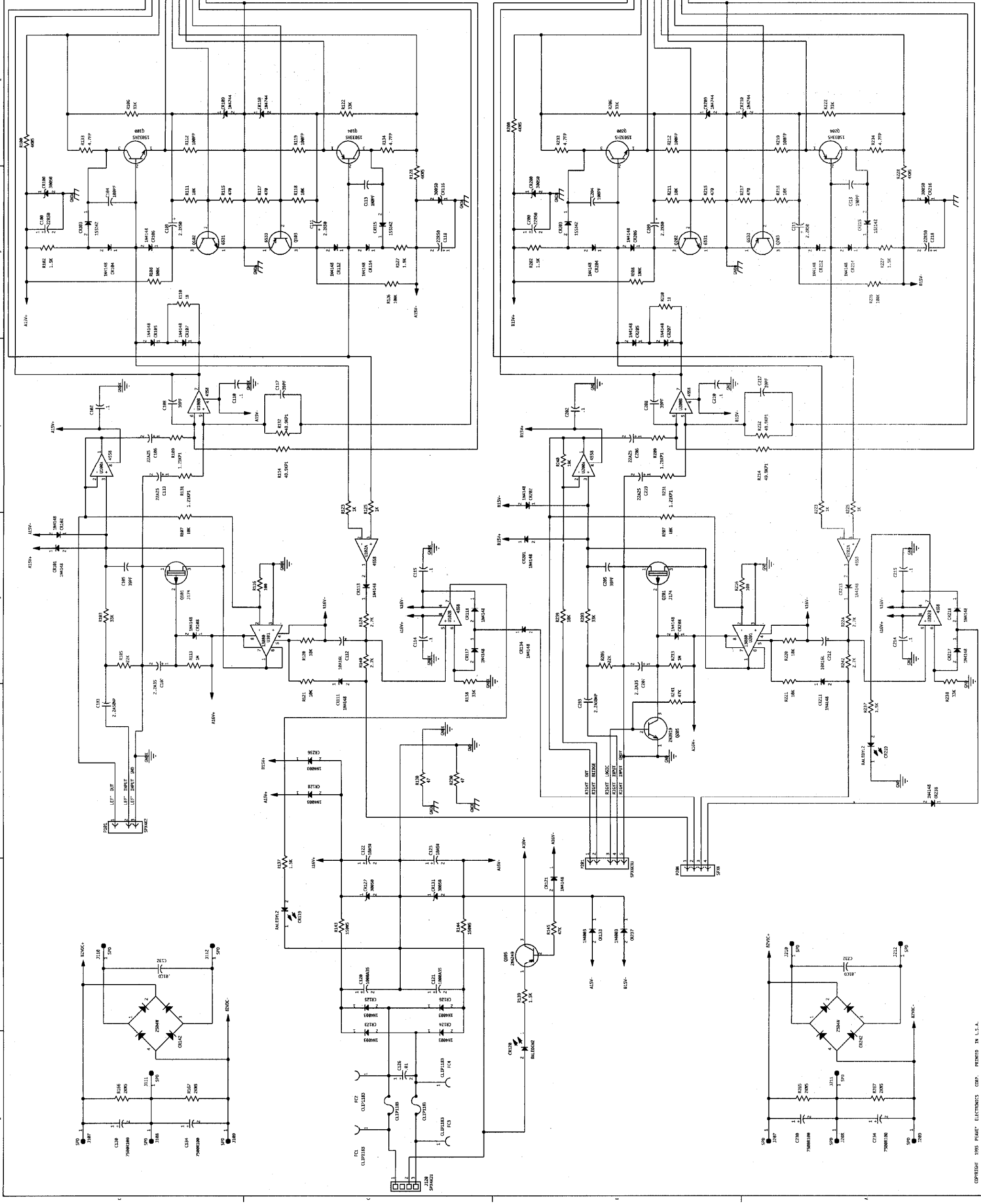


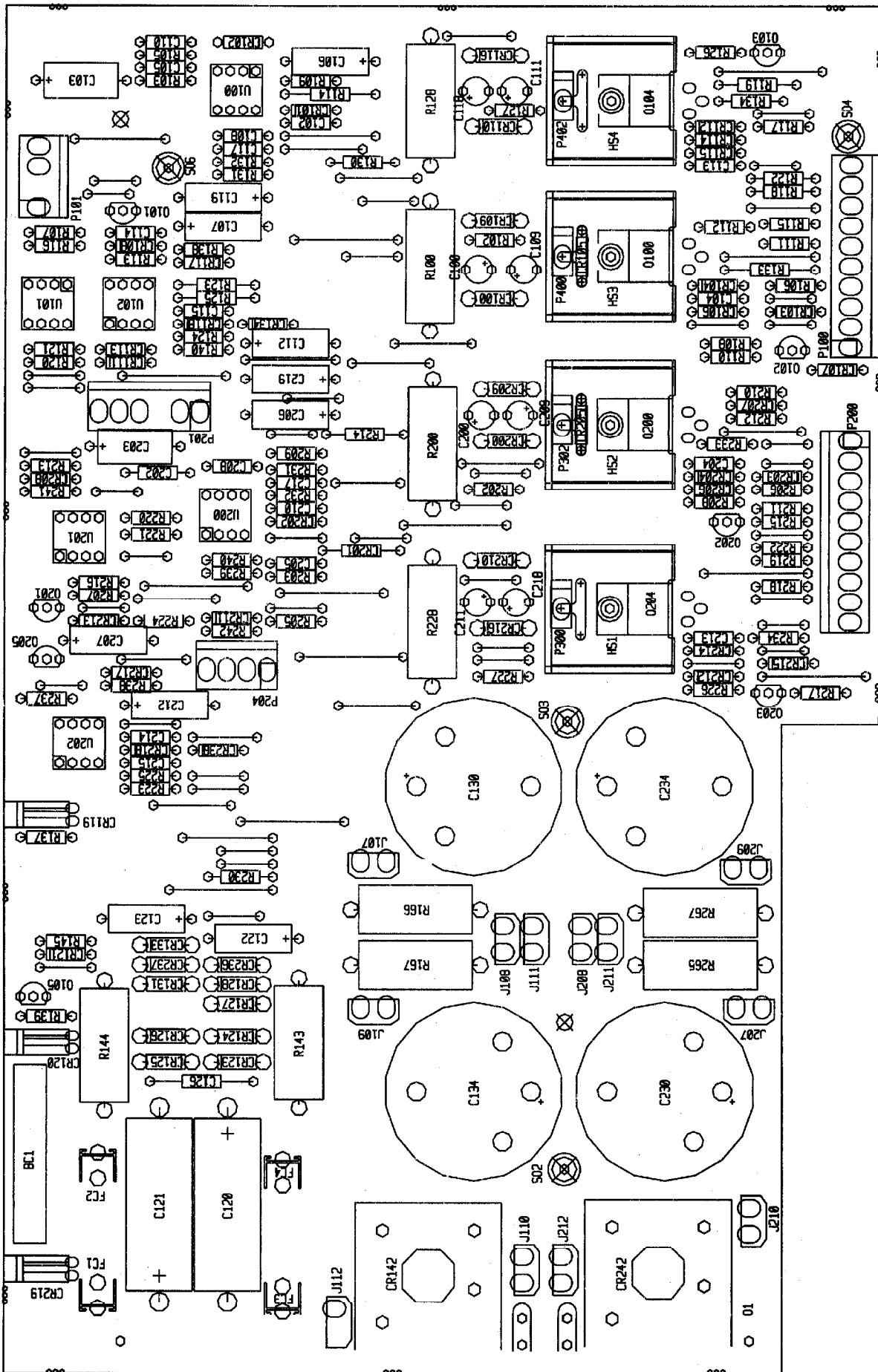
*15KMS DIODES
LOCATED ON
OUTPUT BOARD
(PINS 1 AND 2)

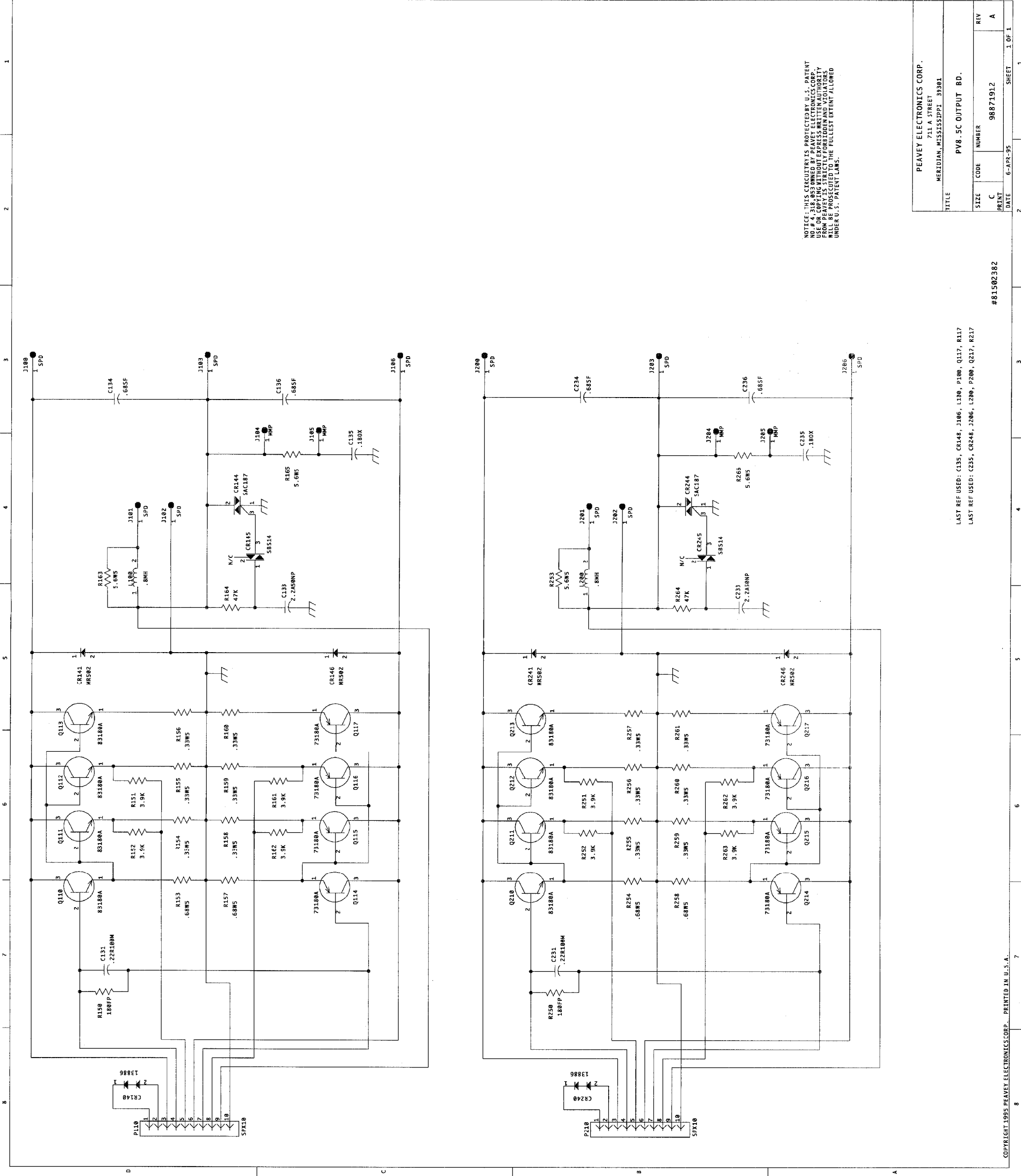
*15KMS DIODES
LOCATED ON
OUTPUT BOARD
(PINS 1 AND 2)

NOTE: THIS CIRCUITRY IS
DESIGNED BY US PATENT &
4-234-0000. IF YOU
ELECTRONICS CORP. USE
OR OPTING WITHOUT EXPRESS
WRITTEN AUTHORITY FROM PEAVY
IS STRICTLY FORBIDDEN AND
VIOLATORS WILL BE PROSECUTED
UNDER U.S. PATENT LAWS.

TITLE		PEAVY ELECTRONICS CORP.	
SIZE		711 A STREET	
CODE		MILWAUKEE, WISCONSIN 53001	
NUMBER		PWB-SC PMR-DRIVE	
REV		#1522382	
DATE		4-14-65	
SHEET		1 OF 1	





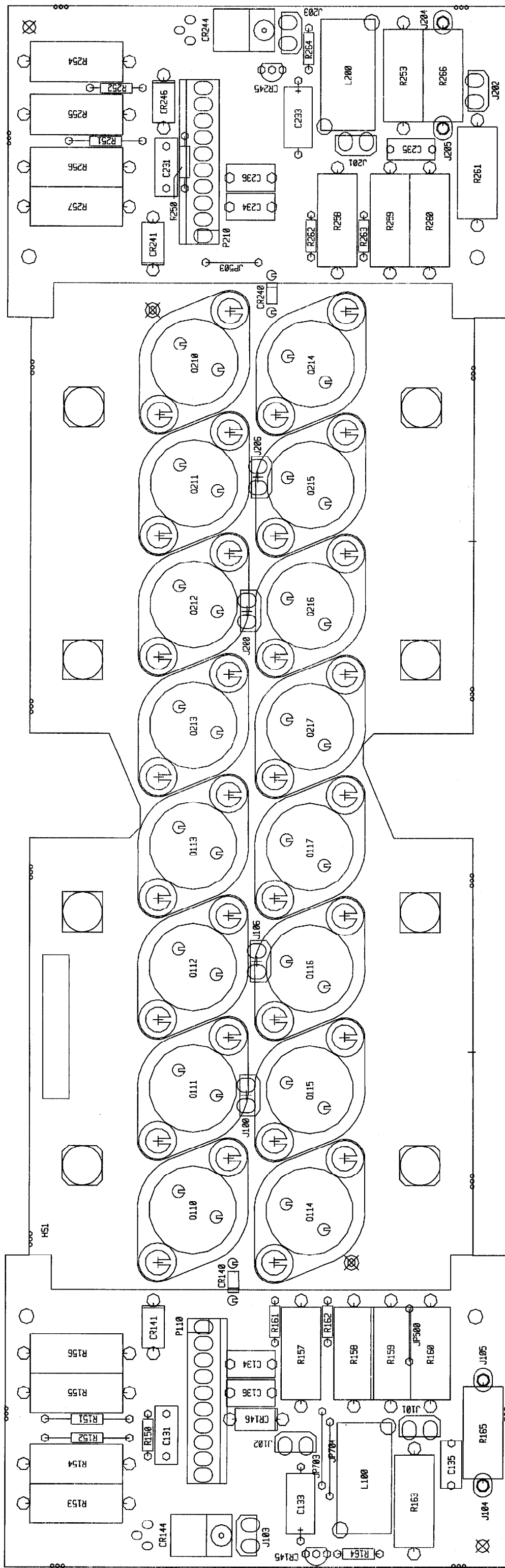


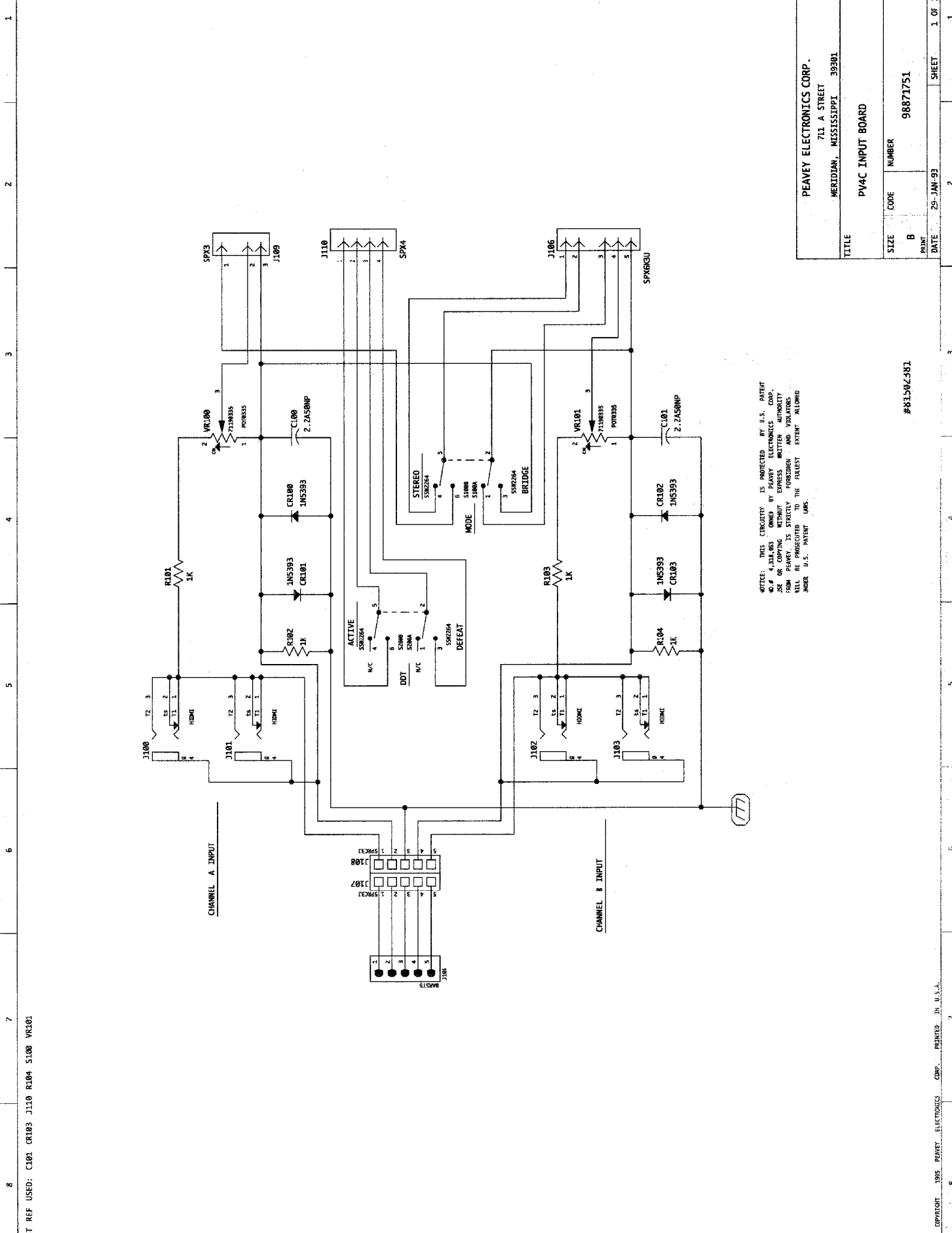
NOTICE: THIS CIRCUITRY IS PROTECTED BY U.S. PATENT NO. 4,318,853 OWNED BY PEAVEY ELECTRONICS CORP. NO COPYING WITHOUT EXPRESS WRITTEN AUTHORITY FROM PEAVEY ELECTRONICS CORP. ALL RIGHTS RESERVED. THIS DOCUMENT WILL BE PROSECUTED TO THE FULLEST EXTENT ALLOWED UNDER U.S. PATENT LAWS.

PEAVEY ELECTRONICS CORP. 711 A STREET MERIDIAN, MISSISSIPPI 39301			
TITLE	PV8 . 5C OUTPUT BD.		
SIZE	CODE	NUMBER	REV
C		98871912	A
PRINT DATE	6-APR-95		SHEET 1 OF 1

LAST REF USED: C135, CR148, J106, L190, P100, Q117, R117
 LAST REF USED: C235, CR248, J206, L200, P200, Q217, R217

#81502382





NOTICE: THIS CIRCUITRY IS PROTECTED BY U.S. PATENT NO. 4,324,983 OWNED BY PEAVEY ELECTRONICS CORP. RE OR COPYING WITHOUT EXPRESS WRITTEN AUTHORITY FROM PEAVEY IS STRICTLY FORBIDDEN AND VIOLATIONS WILL BE PROSECUTED TO THE FULLEST EXTENT ALLOWED UNDER U.S. PATENT LAW.

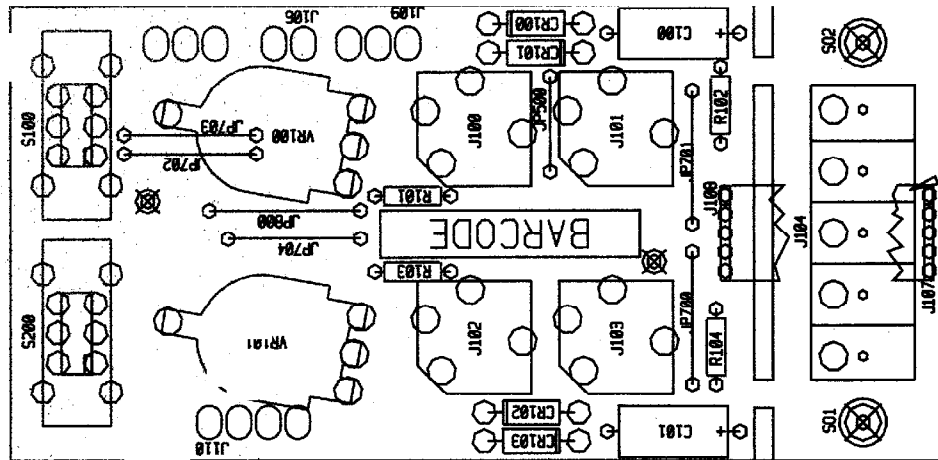
TITLE		REV	
PEAVEY ELECTRONICS CORP. 711 A STREET MERIDIAN, MISSISSIPPI 39301		A	
SIZE	NUMBER	DATE	SHEET
B	98871751	29-JAN-93	1 OF 1

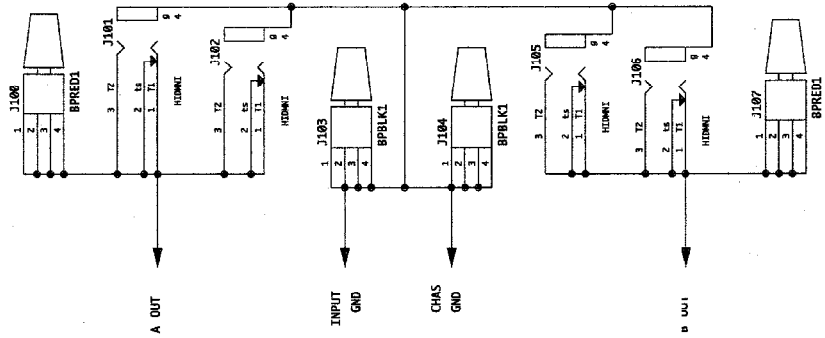
LAST REF USED: C101 CR103 J110 R104 S100 VR101

#815WZ-381

BOARD NAME: EVAC-1A
 ASSEMBLY LEVEL NUMBER: 90371751

QTY.	PART NUMBER	DESCRIPTION AND DEVICE DESIGNATIONS
2	70120019	2.2MFD 208 50V NP FIL TER
4	70465293	C-09, C101
3	71466315	INS-93-RU 200V, 1.5, 5% DIODE -P&I C100, CR101, CR102, CR10
3	70900084	2 TYP HLD JACK INSU W/SPD J106, J101, J102, J103
1	XXXXXXX	SINGLE ROW 5 POS STRIP WITHOUT EARS J104
2	70600037	5 EACH OF STAKE PINS J106
1	XXXXSPX3	5C PRE-TIN .100 3" JMER J107, J108
1	XXXXXXX	3 EACH OF STAKE PINS J109
4	70240017	4 EACH OF STAKE PINS J110
2	71322284	1K-1/4W-5% -CF-T&R R101, R102, R103, R104
2	70900788	SLIDE SWITCH PC MOUNT S100, S200
2	71190335	SPACER, 1/8, R(H41), .187 SWAGE ALUM. S01, S02
		50K LIN METRIC SPIDER IMM VR100, VR101





NOTICE: THIS CIRCUITRY IS PROTECTED BY U.S. PATENT 4,234,085 OWNED BY PEAVEY ELECTRONICS CORP. ANY REPRODUCTION WITHOUT EXPRESS WRITTEN AUTHORITY FROM PEAVEY IS STRICTLY FORBIDDEN AND VIOLATORS WILL BE PROSECUTED TO THE FULLEST EXTENT ALLOWED UNDER U.S. PATENT LAWS.

#0.L2W2001

PEAVEY ELECTRONICS CORP.

711 A STREET
 MERIDIAN, MISSISSIPPI 39301

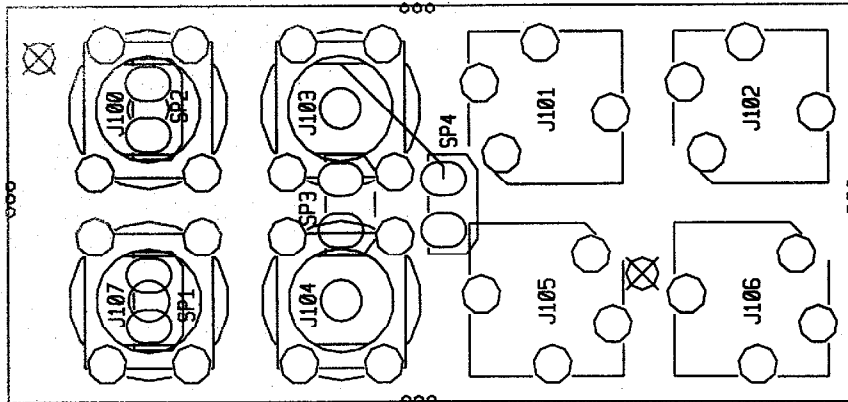
TITLE

PIV4C JACK BOARD

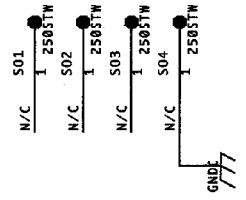
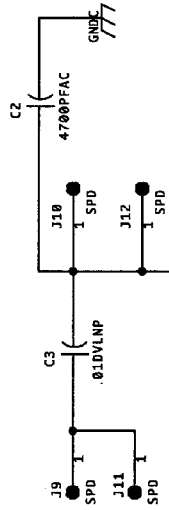
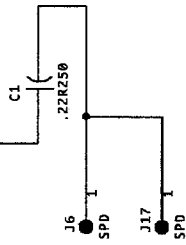
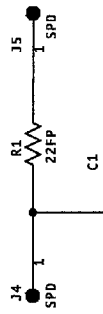
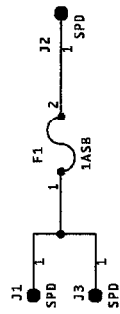
SIZE	CODE	NUMBER	REV
B		98871840	A
DATE	16-JUN-92	SHEET	1 OF 1

BOARD NAME: PV4CJACK
 ASSEMBLY LEVEL NUMBER: 98871840

** QTY.	PART NUMBER	DESCRIPTION AND DEVICE DESIGNATIONS
1	71466201	BINDING POST PC RED-90 J100
2	71466214	2 TIP HID JACK NINS W/SPD J101, J102
2	71466200	BINDING POST PC BLK-90 J103, J104
2	71466214	2 TIP HID JACK NINS W/SPD J105, J106
1	71466201	BINDING POST PC RED-90 J107
2	70600005	22GA JUMPER WIRES T&R JF800, JF801
4	73716134	.250 PC MNT SPADE .093 PCB SP1, SP2, SP3, SP4



PV4C JACK
 98871840



NOTICE: THIS CIRCUITRY IS PROTECTED BY U.S. PATENT NO. # 4,318,053 OWNED BY PEAVEY ELECTRONICS CORP. USE OR COPYING WITHOUT EXPRESS WRITTEN AUTHORITY FROM PEAVEY IS STRICTLY FORBIDDEN AND VIOLATORS WILL BE PROSECUTED TO THE FULLEST EXTENT ALLOWED UNDER U.S. PATENT LAWS.

#81502382

PEAVEY ELECTRONICS CORP.
711 A STREET
MERIDIAN, MISSISSIPPI 39301

TITLE
PV8.5C AC BOARD 120V

SIZE
R

CODE
R

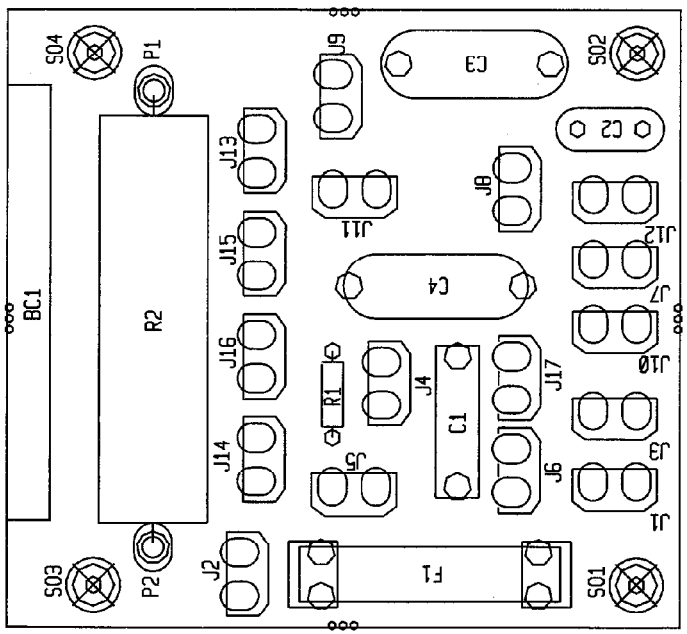
NUMBER
98851560

PRINT

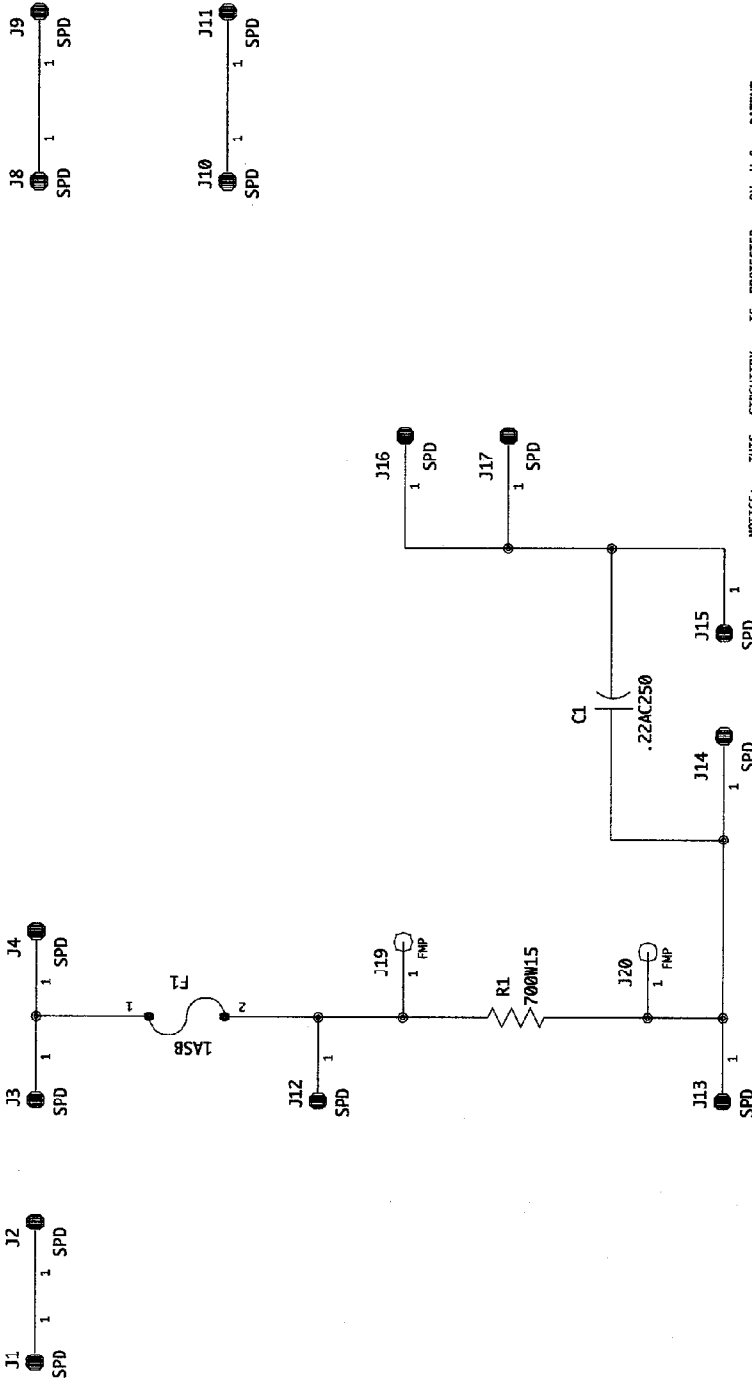
REV
A

BOARD NAME: PV8.5C120V
 ASSEMBLY LEVEL NUMBER: 99351560

QTY.	NAME	VALUE	PART NUMBER	DESCRIPTION AND DEVICE DESIGNATIONS
1	.01DVLINP	.01DVLINP	70320104	.01 MFD 125VDC DVL MYLAR +0-20% C3
1	.22R250	.22R250	70320129	.22MFD 10% 250V MY R/W C1
1	.33R400	.33R400	70320107	.33MF---10%---400VDC-MYLAR-R- W C4
1	1ASB	1ASB	70900379	1 AMP S/B FUSE WITH 2 FUSRCITPS #70 900816 F1
1	22FP	22FP	70240100	22FP-1/4W-5%---TF--- R1
4	250STW	70901856	70901856	SPCR, 1/4,R(#4),.187 SW,AL S01, S02, S03, S04
1	400W15	400W15	70250013	400-15W-10%-WW-AXL R2
1	4700PFAC	4700PFAC	70320114	4700PF 400VAC EXP LINE CAP X C2
2	FMP	FMP	73711811	M118-1/1 C.B. FEMALE MOLEX PIN P1, P2
17	SPD	73716194	73716194	.250 PC MNT SPADE .093 PCB J1, J2, J3, J4, J5, J6, J7, J8, J9, J10, J11, J-2, J13, J14, J15, J16, J17



PV8.5C 120V AC
 98851560



NOTICE: THIS CIRCUITRY IS PROTECTED BY U.S. PATENT NO. # 4,318,053 OWNED BY PEAVEY ELECTRONICS CORP. USE OR COPYING WITHOUT EXPRESS WRITTEN AUTHORITY FROM PEAVEY IS STRICTLY FORBIDDEN AND VIOLATORS WILL BE PROSECUTED TO THE FULLEST EXTENT ALLOWED UNDER U.S. PATENT LAWS.

- S01 N/C 1 250STW
- S02 N/C 1 250STW
- S03 N/C 1 250STW
- S04 N/C 1 250STW

#81502382

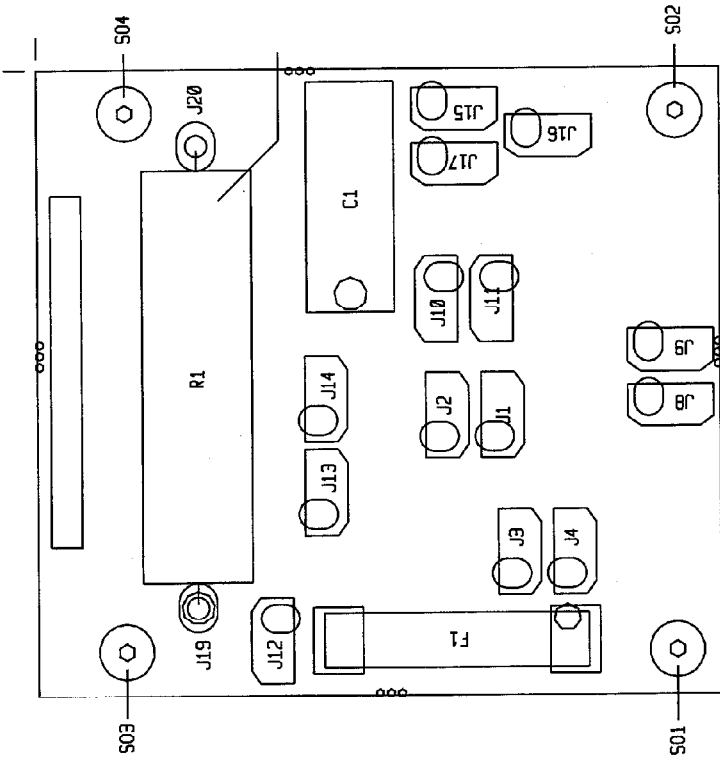
PEAVEY ELECTRONICS, CORP.
711 'A' STREET
MERIDIAN, MISSISSIPPI 39301

TITLE
PV8C AC BD 230V

SIZE	CODE	NUMBER	REV
A		98851630	A
DATE	29-OCT-92		SHEET 1 OF 1

BOARD NAME: PV8.5230V AC
 ASSEMBLY LEVEL NUMBER: 99351630

PART	QTY.	NAME	VALUE	PART NUMBER	DESCRIPTION AND DEVICE DESIGNATIONS
1	.22AC250	.22AC250	.22AC250	70320161	.22 mfd 20% 250vac my r/a
1	1ASB	1ASB	70900379	70900379	1 AMP S/B FUSE WITH 2 FUSECLIPS #70900816
15	SPD	73716194	73716194	F1	.250 PC MNT SPADE .093 PCB
2	FMP	FMP	73711811	J1, J2, J3, J4, J5, J8, J9, J10, J11, J12, J13, J14, J15, J16, J17	ML18-171 C.B. FEMALE MOLEX FIN
1	700W15	700W15	70250037	J19, J20	700-15W-10%-MW-AXL
1	250SOW	70900785	70900785	R1	SPACER, 1/4,R(#4),.187 SWAGE ALUM.
2	250STW	70901856	70901856	SO1	SPCR, 1/4,R(#4),.187 SW,AL
1	250SOW	70900785	70900785	SO2, SO3	SPACER, 1/4,R(#4),.187 SWAGE ALUM.
				SO4	



PV 8.5C 230V A.C.
 98851630

BOARD NAME: PV8.5SUP/DRV
 ASSEMBLY LEVEL NUMBER: 99371921

** QTY.	PART NUMBER	DESCRIPTION AND DEVICE DESIGNATIONS *****			
			1	70400142	CR101, CR102 1ss142 250v SILICON DIODE
			5	70464148	CR103 1N4148 75V 10MA SILICON DIODE CR104, CR105, CR106, CR107, CR108
			2	70440102	SZG40102 15V 5% ZENER DIODE CR109, CR110
			4	70464148	1N4148 75V 10MA SILICON DIODE CR111, CR112, CR113, CR114
1	70320181	22MF--20%--50VDC--EL--T&A C100		70400142	1ss142 250v SILICON DIODE CR115
1	70340100	.1MF--+80-20%--50VDC--AXL--T&R C102		70430050	SZP30050 16V 1 WATT 5% ZENER DIODE T&R CR116
1	70320010	2.2MFD 20% 50V NP EL T&R C103		70464148	1N4148 75V 10MA SILICON DIODE CR117, CR118
1	70340054	100PF--10%--50VDC--T/C--T&R C104		70450579	SE-8731-D-YEL-25MM LDS REC - RIGHT ANGLE CR119
1	70340052	39PF-----50VDC--T/C--T&R C105		70450578	SE-8721-D-GN-25MM LDS REC - RIGHT ANGLE CR120
1	70320012	22MFD +/--20% 25VDC EL AXL C106		70464148	1N4148 75V 10MA SILICON DIODE CR121
1	70320200	2.2MFD 35VDC LY.CAP T&R C107		70464003	1N4003 200V SILICON DIODE CR123, CR124, CR125, CR126
1	70340052	39PF-----50VDC--T/C--T&R C108		70430050	SZP30050 16V 1 WATT 5% ZENER DIODE T&R CR127
1	70320180	2.2MF--20%--50VDC--EL--T&A C109		70464003	1N4003 200V SILICON DIODE CR128
1	70340100	.1MF--+80-20%--50VDC--AXL--T&R C110		70430050	SZP30050 16V 1 WATT 5% ZENER DIODE T&R CR131
1	70320180	2.2MF--20%--50VDC--EL--T&A C111		70464003	1N4003 200V SILICON DIODE CR133
1	70320198	10MFD 16V LOW LEAKAGE T&R C112		70464148	1N4148 75V 10MA SILICON DIODE CR134
1	70340054	100PF--10%--50VDC--T/C--T&R C113		70402504	BR. RECT, 400V, 25A, WIRE LEADS CR142
2	70340100	.1MF--+80-20%--50VDC--AXL--T&R C114, C115		70430050	SZP30050 16V 1 WATT 5% ZENER DIODE T&R CR200
1	70340052	39PF-----50VDC--T/C--T&R C117		70464148	1N4148 75V 10MA SILICON DIODE CR201, CR202
1	70320181	22MF--20%--50VDC--EL--T&A C118		70400142	1ss142 250v SILICON DIODE CR203
1	70320012	22MFD +/--20% 25VDC EL AXL C119		70464148	1N4148 75V 10MA SILICON DIODE CR204, CR205, CR206, CR207, CR208
2	70320038	1000 MFD 35VDC LYTIC CAP C120, C121		70440102	SZG40102 15V 5% ZENER DIODE CR209, CR210
2	70320112	10MFD 50V T&R C122, C123		70464148	1N4148 75V 10MA SILICON DIODE CR211, CR212, CR213, CR214
1	70340011	.01MF--10%--50VDC--T/C--T&R C126		70400142	1ss142 250v SILICON DIODE CR215
1	70320250	7500MF--20%--100VDC--EL C130		70430050	SZP30050 16V 1 WATT 5% ZENER DIODE T&R CR216
1	70320248	.01MF--20%--1000VDC--CD--T&A C132		70464148	1N4148 75V 10MA SILICON DIODE CR217, CR218
1	70320250	7500MF--20%--100VDC--EL C134		70450579	SE-8731-D-YEL-25MM LDS REC - RIGHT ANGLE CR219
1	70320181	22MF--20%--50VDC--EL--T&A C200		70464003	1N4003 200V SILICON DIODE CR236, CR237
1	70340100	.1MF--+80-20%--50VDC--AXL--T&R C202		70464148	1N4148 75V 10MA SILICON DIODE CR238
1	70320010	2.2MFD 20% 50V NP EL T&R C203		70402504	BR. RECT, 400V, 25A, WIRE LEADS CR242
1	70340054	100PF--10%--50VDC--T/C--T&R C204		70901183	FUSECLIP, PC MT - T&A FC1, FC2, FC3, FC4
1	70340052	39PF-----50VDC--T/C--T&R C205		98001612	HEATSINK PUNCHED HS1, HS2, HS3, HS4
1	70320012	22MFD +/--20% 25VDC EL AXL C206		73716194	.250 PC MNT SPADE .093 PCB J107, J108, J109, J110, J111, J112
1	70320200	2.2MFD 35VDC LY.CAP T&R C207		XXXXXXX	3 EACH OF STAKE PINS J120
1	70340052	39PF-----50VDC--T/C--T&R C208		73716194	.250 PC MNT SPADE .093 PCB J207, J208, J209, J210, J211, J212
1	70320180	2.2MF--20%--50VDC--EL--T&A C209		XXXXXXX	10 EACH OF STAKE PINS P100
1	70340100	.1MF--+80-20%--50VDC--AXL--T&R C210		XXXXXXX	3 EACH OF STAKE PINS P101
1	70320180	2.2MF--20%--50VDC--EL--T&A C211		XXXXXXX	10 EACH OF STAKE PINS P200
1	70320198	10MFD 16V LOW LEAKAGE T&R C212		XXXXXXX	5 EACH OF STAKE PINS P201
1	70340054	100PF--10%--50VDC--T/C--T&R C213		XXXXXXX	4 EACH OF STAKE PINS P204
2	70340100	.1MF--+80-20%--50VDC--AXL--T&R C214, C215		73717003	1 STAKE PIN P300, P302, P400, P402
1	70340052	39PF-----50VDC--T/C--T&R C217		70415030	MJE-15030 NPN TO-220 DRIVER TRANSISTOR Q100
1	70320181	22MF--20%--50VDC--EL--T&A C218		70460174	J-174 30V TO-92 P-CHAN FET T&A Q101
1	70320012	22MFD +/--20% 25VDC EL AXL C219		70466531	MPS-6531 TO92 NPN TRANS. T&A Q102
1	70320250	7500MF--20%--100VDC--EL C230		70466533	MPS-6533/34 TO-92 PNP TRANS T&A Q103
1	70320248	.01MF--20%--1000VDC--CD--T&A C232		70415031	MJE-15031 PNP TO-220 DRIVER TRANSISTOR Q104
1	70320250	7500MF--20%--100VDC--EL C234		70464249	2N4249/690 30V TO-92 PNP T&A Q105
1	70430050	SZP30050 16V 1 WATT 5% ZENER DIODE T&R CR100			
2	70464148	1N4148 75V 10MA SILICON DIODE			

1	70415030	MJE-15030 NPN TO-220 DRIVER TRANSISTOR Q200	1	70240025	R206 10K-1/4W-5%—CF-T&R
1	70460174	J-174 30V TO-92 P-CHAN FET T&A Q201	1	70240034	R207 100K-1/4W-5%—CF-T&R
1	70466531	MFS-6531 TO92 NPN TRANS. T&A Q202	1	70240046	R208 1.21K-1/4W-1%—MF-T&R
1	70466533	MFS-6533/34 TO-92 PNP TRANS T&A Q203	1	70240006	R209 18—1/4W-5%—CF-T&R
1	70415031	MJE-15031 PNP TO-220 DRIVER TRANSISTOR Q204	1	70240025	R210 10K-1/4W-5%—CF-T&R
1	70463919	SKA-3919 TO92 NPN TRANS T&A Q205	1	70240096	R211 100FP-1/4W-5%—FP-T&R
1	70250050	4K-5W-10%—WW-AXL R100	1	70240039	R212 1M—1/4W-5%—CF-T&R
1	70240018	1.5K-1/4W-5%—CF-T&R R102	1	70241072	R213 49.9K-1/4W-1%—MF-T&R
1	70240030	33K-1/4W-5%—CF-T&R R103	1	70240015	R214 470-1/4W-5%—CF-T&R
1	70240029	22K-1/4W-5%—CF-T&R R105	1	70240010	R215 100-1/4W-5%—CF-T&R
1	70240030	33K-1/4W-5%—CF-T&R R106	1	70240015	R216 470-1/4W-5%—CF-T&R
1	70240025	10K-1/4W-5%—CF-T&R R107	1	70240025	R217 10K-1/4W-5%—CF-T&R
1	70240034	100K-1/4W-5%—CF-T&R R108	1	70240096	R218 100FP-1/4W-5%—FP-T&R
1	70240046	1.21K-1/4W-1%—MF-T&R R109	2	70240025	R219 10K-1/4W-5%—CF-T&R
1	70240006	18—1/4W-5%—CF-T&R R110	1	70240030	R220, R221 33K-1/4W-5%—CF-T&R
1	70240025	10K-1/4W-5%—CF-T&R R111	1	70240017	R222 1K—1/4W-5%—CF-T&R
1	70240096	100FP-1/4W-5%—FP-T&R R112	1	70240021	R223 2.7K-1/4W-5%—CF-T&R
1	70240039	1M—1/4W-5%—CF-T&R R113	1	70240017	R224 1K—1/4W-5%—CF-T&R
1	70241072	49.9K-1/4W-1%—MF-T&R R114	1	70240034	R225 100K-1/4W-5%—CF-T&R
1	70240015	470-1/4W-5%—CF-T&R R115	1	70240018	R226 1.5K-1/4W-5%—CF-T&R
1	70240010	100-1/4W-5%—CF-T&R R116	1	70250050	R227 4K-5W-10%—WW-AXL
1	70240015	470-1/4W-5%—CF-T&R R117	1	70240008	R228 47—1/4W-5%—CF-T&R
1	70240025	10K-1/4W-5%—CF-T&R R118	1	70240046	R230 1.21K-1/4W-1%—MF-T&R
1	70240096	100FP-1/4W-5%—FP-T&R R119	1	70241072	R231 49.9K-1/4W-1%—MF-T&R
2	70240025	10K-1/4W-5%—CF-T&R R120, R121	2	70240094	R232 4.7FP-1/4W-10%—FP-T&R
1	70240030	33K-1/4W-5%—CF-T&R R122	1	70240018	R233, R234 1.5K-1/4W-5%—CF-T&R
1	70240017	1K—1/4W-5%—CF-T&R R123	1	70240030	R237 33K-1/4W-5%—CF-T&R
1	70240021	2.7K-1/4W-5%—CF-T&R R124	2	70240025	R238 10K-1/4W-5%—CF-T&R
1	70240017	1K—1/4W-5%—CF-T&R R125	1	70240031	R239, R240 47K-1/4W-5%—CF-T&R
1	70240034	100K-1/4W-5%—CF-T&R R126	1	70240021	R241 2.7K-1/4W-5%—CF-T&R
1	70240018	1.5K-1/4W-5%—CF-T&R R127	2	70250063	R242 2K-5W-10%—WW-AXL
1	70250050	4K-5W-10%—WW-AXL R128	6	70901856	R265, R267 SPCR, 1/4,R(#4)..187 SW,AL
1	70240008	47—1/4W-5%—CF-T&R R130	1	70404558	SO1, SO2, SO3, SO4, SO5, SO6 IC RC-4558, P DUAL BI-PKG 10
1	70240046	1.21K-1/4W-1%—MF-T&R R131	1	70413080	U100 LM3080N CUSTOM SELECTED
1	70241072	49.9K-1/4W-1%—MF-T&R R132	1	70404558	U101 IC RC-4558, P DUAL BI-PKG 10
2	70240094	4.7FP-1/4W-10%—FP-T&R R133, R134	2	70413080	U102, U200 LM3080N CUSTOM SELECTED
1	70240018	1.5K-1/4W-5%—CF-T&R R137	1	70404558	U201 IC RC-4558, P DUAL BI-PKG 10
1	70240030	33K-1/4W-5%—CF-T&R R138	1	70404558	U202 IC RC-4558, P DUAL BI-PKG 10
1	70240018	1.5K-1/4W-5%—CF-T&R R139			*****
1	70240021	2.7K-1/4W-5%—CF-T&R R140			
2	70250040	150-5W-10%—WW-AXL R143, R144			
1	70240031	47K-1/4W-5%—CF-T&R R145			
2	70250063	2K-5W-10%—WW-AXL R166, R167			
1	70250050	4K-5W-10%—WW-AXL R200			
1	70240018	1.5K-1/4W-5%—CF-T&R R202			
1	70240030	33K-1/4W-5%—CF-T&R R203			
1	70240029	22K-1/4W-5%—CF-T&R R205			
1	70240030	33K-1/4W-5%—CF-T&R			

BOARD NAME: PV8.5 OUTPUT
 ASSEMBLY LEVEL NUMBER: 99371912

** QTY.	PART NUMBER	DESCRIPTION AND DEVICE DESIGNATIONS *****
2	98001803	PWR AMP BRACKET BR1, BR2
1	70330007	.22 MFD 100VDC 5% MYLAR C131
1	70320010	2.2MFD 20% 50V NP EL T&R C133
1	70330112	0.68MFD STAC FILM 5% CAP C134
1	70320086	.1 MFD 100VDC 10% BOX CAP C135
1	70330112	0.68MFD STAC FILM 5% CAP C136
1	70330007	.22 MFD 100VDC 5% MYLAR C231
1	70320010	2.2MFD 20% 50V NP EL T&R C233
1	70330112	0.68MFD STAC FILM 5% CAP C234
1	70320086	.1 MFD 100VDC 10% BOX CAP C235
1	70330112	0.68MFD STAC FILM 5% CAP C236
1	70413886	SZ-13886-2 DUAL DIODE CR140
1	70400502	MR502/1N5402 200V, 3A SILICON DIODE CR141
1	70400187	SAC187 200V TO220 TRIAC CR144
1	70460014	SBS14 8V T0-92 BI-DIRECTIONAL SWITCH T&A CR145
1	70400502	MR502/1N5402 200V, 3A SILICON DIODE CR146
1	70413886	SZ-13886-2 DUAL DIODE CR240
1	70400502	MR502/1N5402 200V, 3A SILICON DIODE CR241
1	70400187	SAC187 200V TO220 TRIAC CR244
1	70460014	SBS14 8V T0-92 BI-DIRECTIONAL SWITCH T&A CR245
1	70400502	MR502/1N5402 200V, 3A SILICON DIODE CR246
1	98001599	PV-8.5 H/S PLATE HS1
4	73716194	.250 PC MNT SPADE .093 PCB J100, J101, J102, J103
2	73711812	R93-12 PN C.B. MALE MOLEX PIN J104, J105
5	73716194	.250 PC MNT SPADE .093 PCB J106, J200, J201, J202, J203
2	73711812	R93-12 PN C.B. MALE MOLEX PIN J204, J205
1	73716194	.250 PC MNT SPADE .093 PCB J206
2	70519917	.8MH AIR CORE COIL / CS1200 L100, L200
2	XXXXXXX	10 EACH OF STAKE PINS P110, P210
4	70483180	SJ-83180, NPN, 3 AMP, 100V, METRIC TO-3 TRANS Q110, Q111, Q112, Q113
4	70473180	SJ-73180, 3 AMP, 100V, METRIC TO-3, PNP TRANS Q114, Q115, Q116, Q117
4	70483180	SJ-83180, NPN, 3 AMP, 100V, METRIC TO-3 TRANS Q210, Q211, Q212, Q213

4	70473180	SJ-73180, 3 AMP, 100V, METRIC TO-3, PNP TRANS Q214, Q215, Q216, Q217
1	70240099	180 OHM FLAME PROOF RESISTOR R150
2	70241093	3.9K-1/4W-5%-CF-AXL R151, R152
1	70250004	.68-5W-10%-WW-AXL R153
3	70250003	.33-5W-10%-WW-AXL R154, R155, R156
1	70250004	.68-5W-10%-WW-AXL R157
3	70250003	.33-5W-10%-WW-AXL R158, R159, R160
2	70241093	3.9K-1/4W-5%-CF-AXL R161, R162
1	70250026	5.6-5W-10%-WW-AXL R163
1	70240031	47K-1/4W-5%-CF-T&R R164
1	70250026	5.6-5W-10%-WW-AXL R165
1	70240099	180 OHM FLAME PROOF RESISTOR R250
2	70241093	3.9K-1/4W-5%-CF-AXL R251, R252
1	70250026	5.6-5W-10%-WW-AXL R253
1	70250004	.68-5W-10%-WW-AXL R254
3	70250003	.33-5W-10%-WW-AXL R255, R256, R257
1	70250004	.68-5W-10%-WW-AXL R258
3	70250003	.33-5W-10%-WW-AXL R259, R260, R261
2	70241093	3.9K-1/4W-5%-CF-AXL R262, R263
1	70240031	47K-1/4W-5%-CF-T&R R264
1	70250026	5.6-5W-10%-WW-AXL R266
