

REV	Eng	Date:	Revision Description	ECN#
A				
B				
C				
D				
E				
F				

INDEX

SHEET	DESCRIPTION

Company Proprietary Information

Peavey Electronics Corp.
P. O. Box 2898
Meridian, MS 39301

Product: PV6

Title: PV6

Project Number:

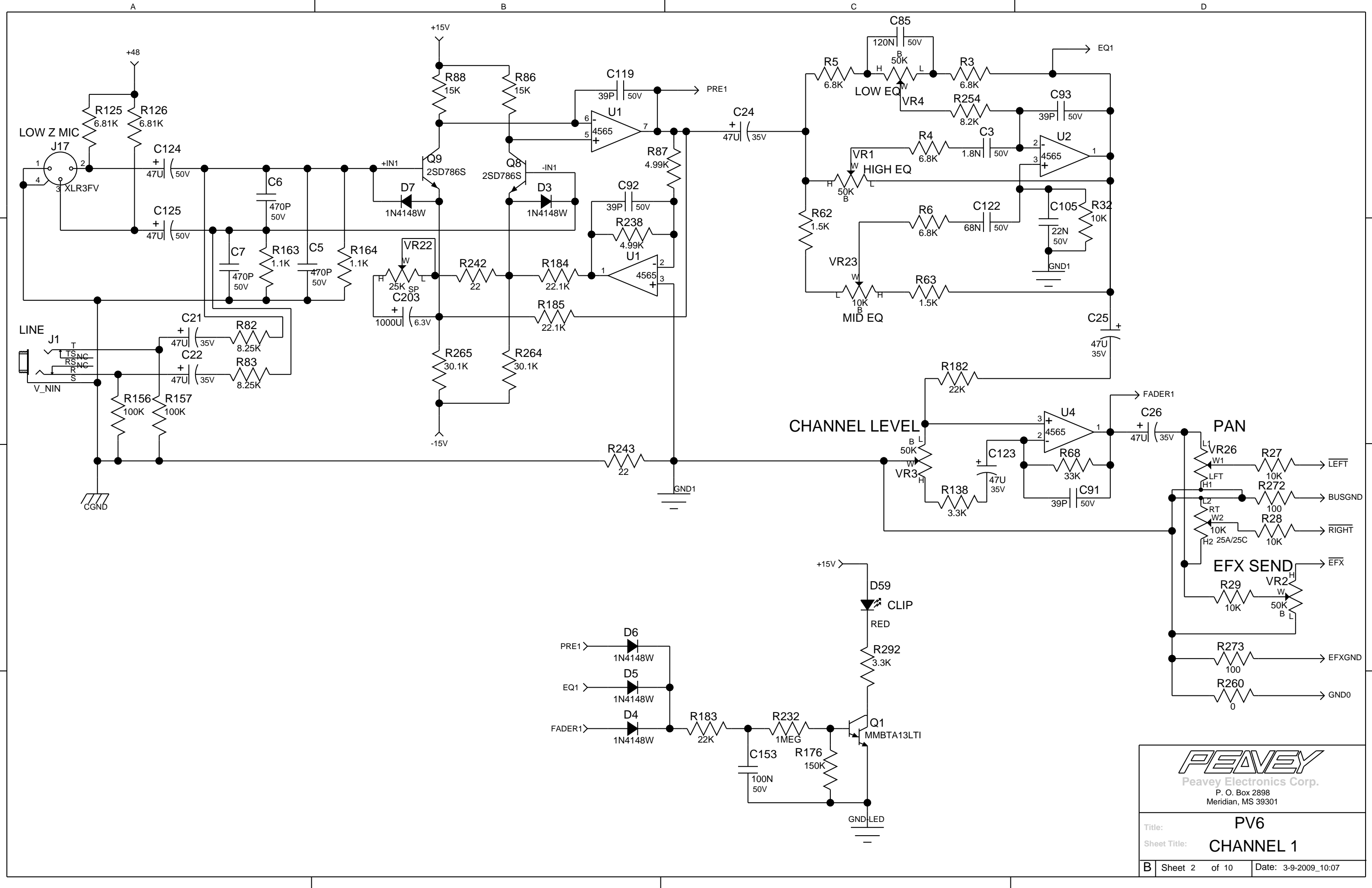
Eng: Release Date:

B Sheet 1 of 10 Saved: 3-9-2009_10:07

Note: All thru hole Resistors are 1/4 Watt unless otherwise indicated.
 All SMT 1206 Resistors are 1/4 Watt.
 All SMT 0805 Resistors are 1/10 Watt.
 Note Capacitor Values are indicated as Follows:
 val P = pF (picoFarads) val * 10 exp-12
 val N = nF (nanoFarads) val * 10 exp-9 (1N=1000pF, 100N=0.1uF)
 val U = uF (microFarads) val * 10 exp-6

Patents:

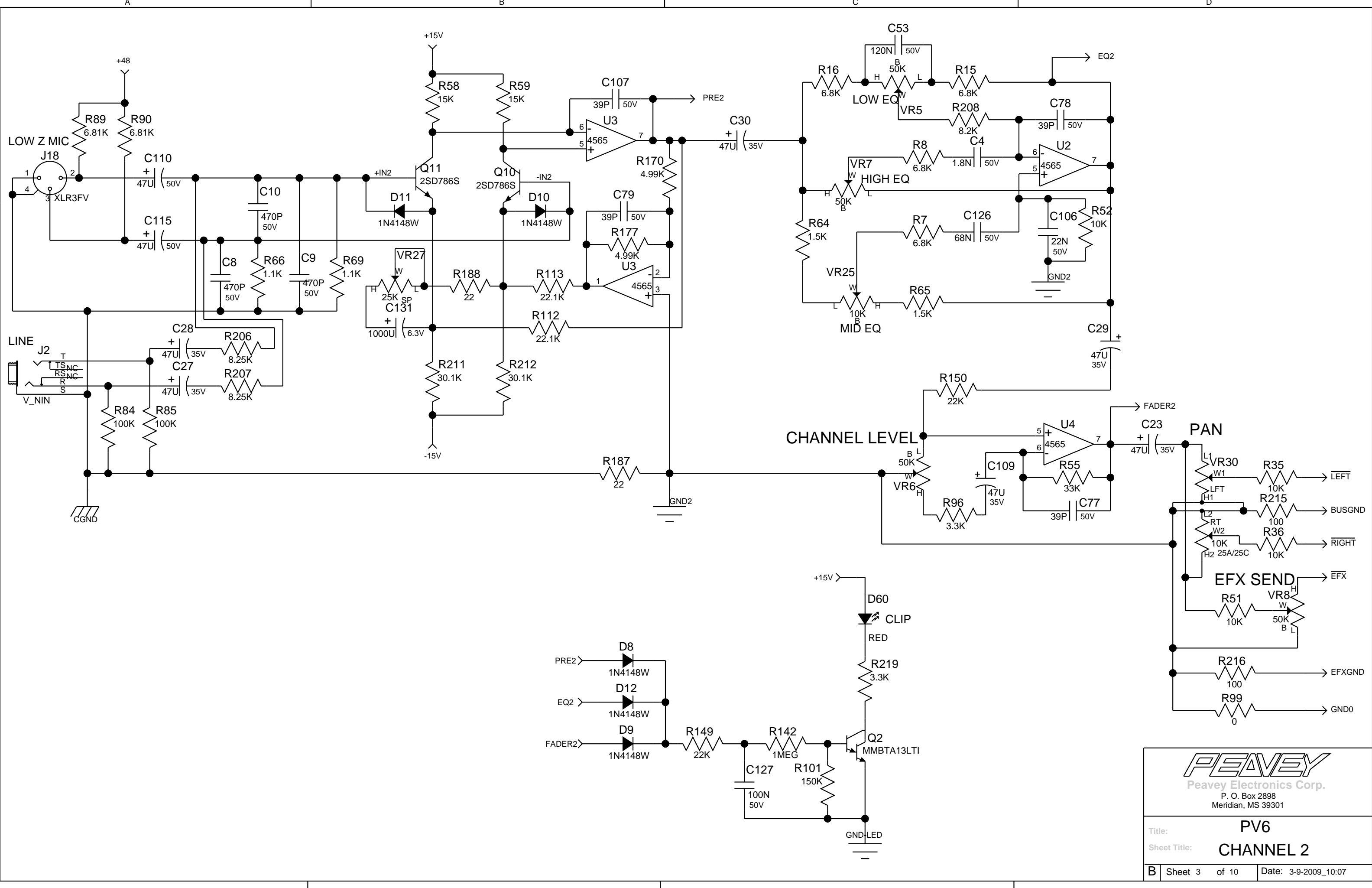
 Copyright Peavey Electronics Corporation 2008.



PEAVEY
 Peavey Electronics Corp.
 P. O. Box 2898
 Meridian, MS 39301

Title: **PV6**
 Sheet Title: **CHANNEL 1**

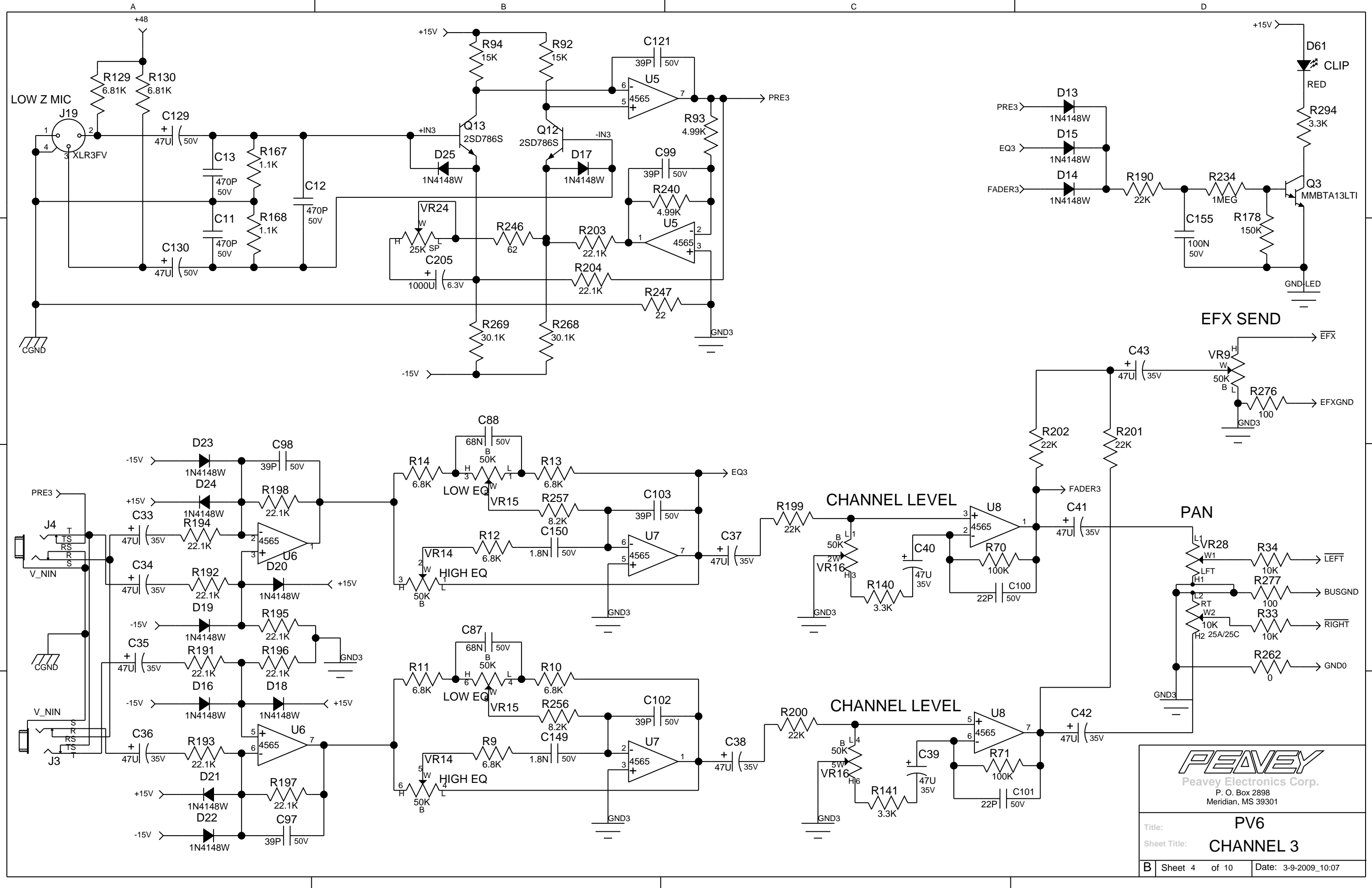
B Sheet 2 of 10 Date: 3-9-2009_10:07



PEAVEY
 Peavey Electronics Corp.
 P. O. Box 2898
 Meridian, MS 39301

PV6
CHANNEL 2

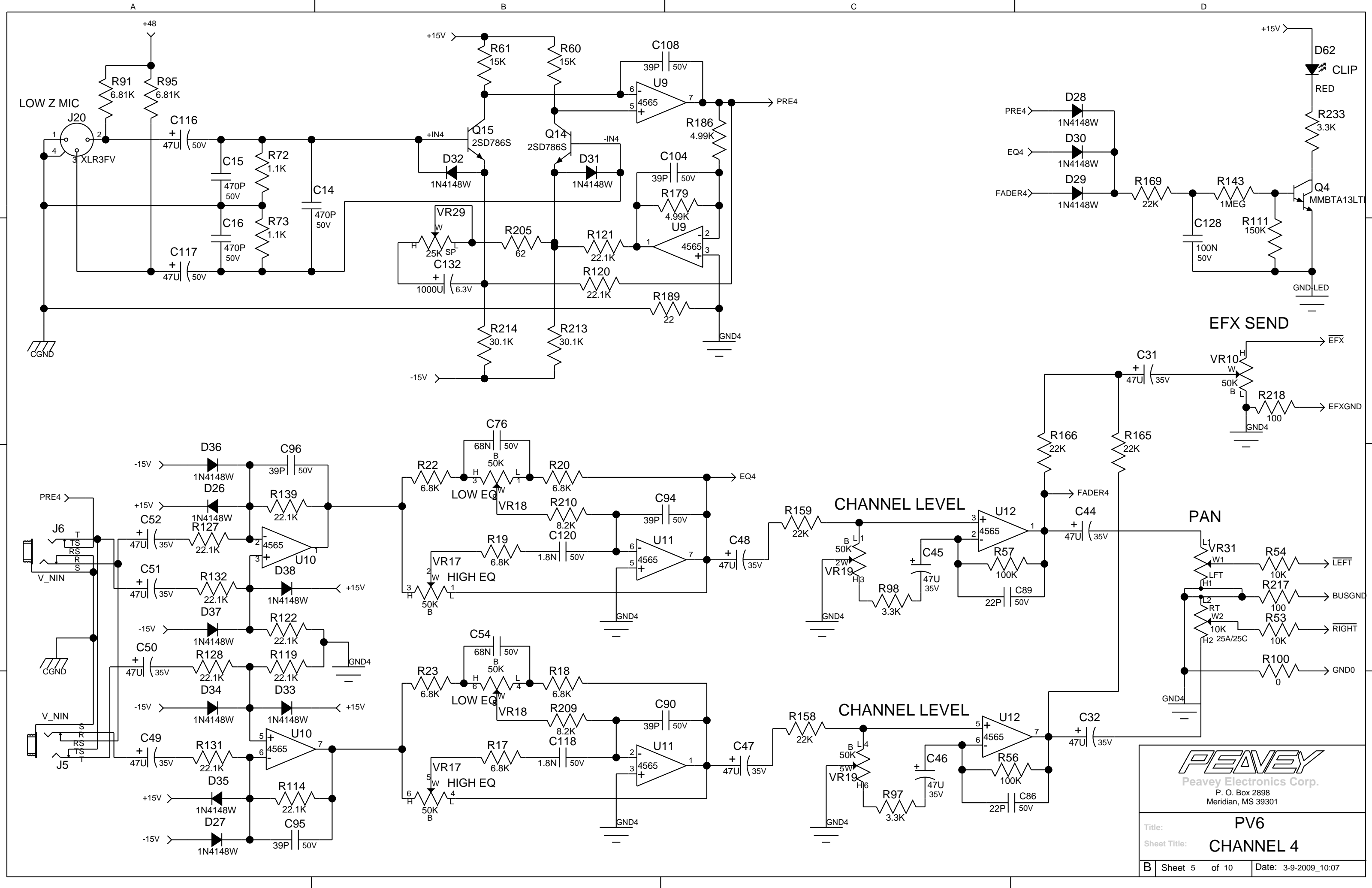
B Sheet 3 of 10 Date: 3-9-2009_10:07



PEAVEY
 Peavey Electronics Corp.
 P. O. Box 2898
 Meridian, MS 39301

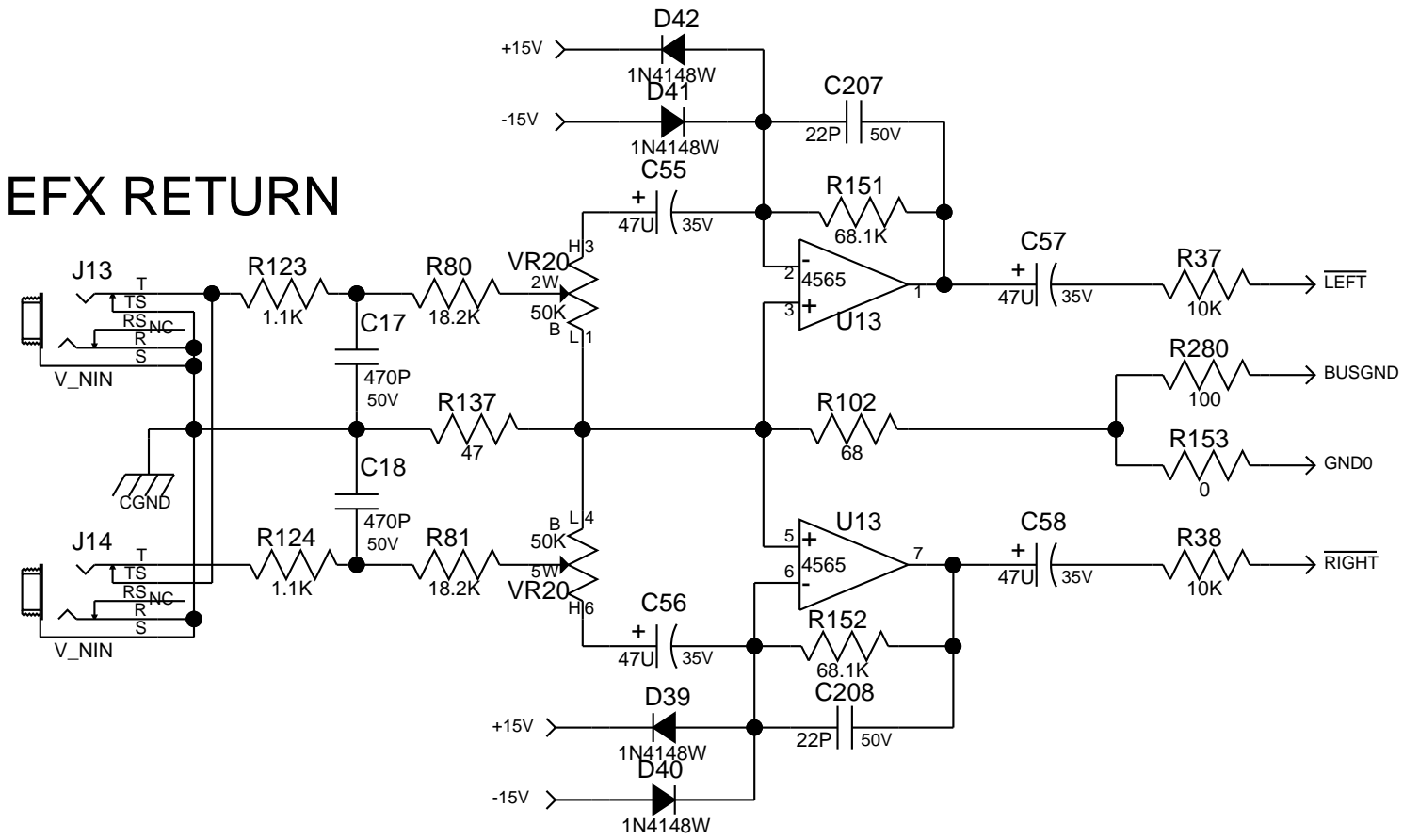
Title: **PV6**
 Sheet Title: **CHANNEL 3**

B Sheet 4 of 10 Date: 3-9-2009_10:07

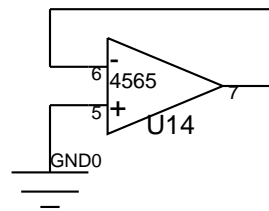
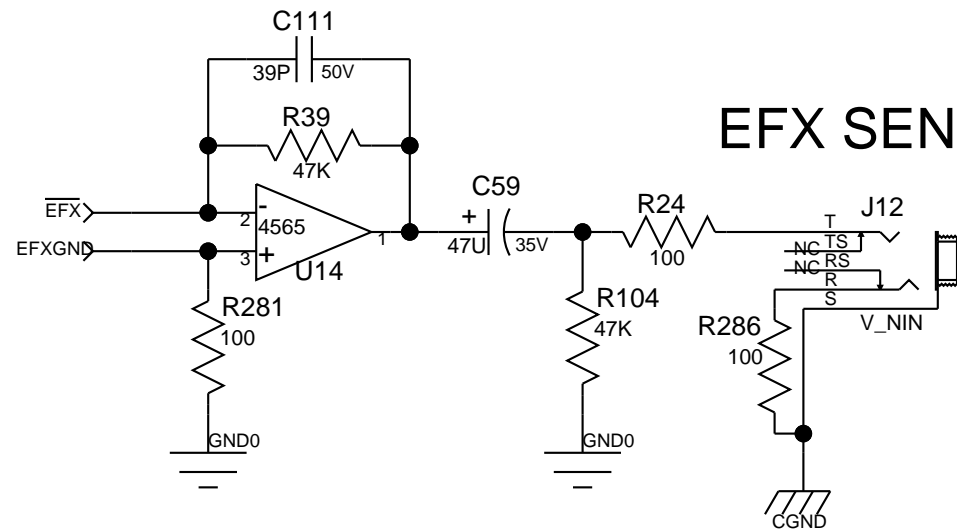


Title: PV6
 Sheet Title: CHANNEL 4
 B Sheet 5 of 10 Date: 3-9-2009_10:07

EFX RETURN



EFX SEND

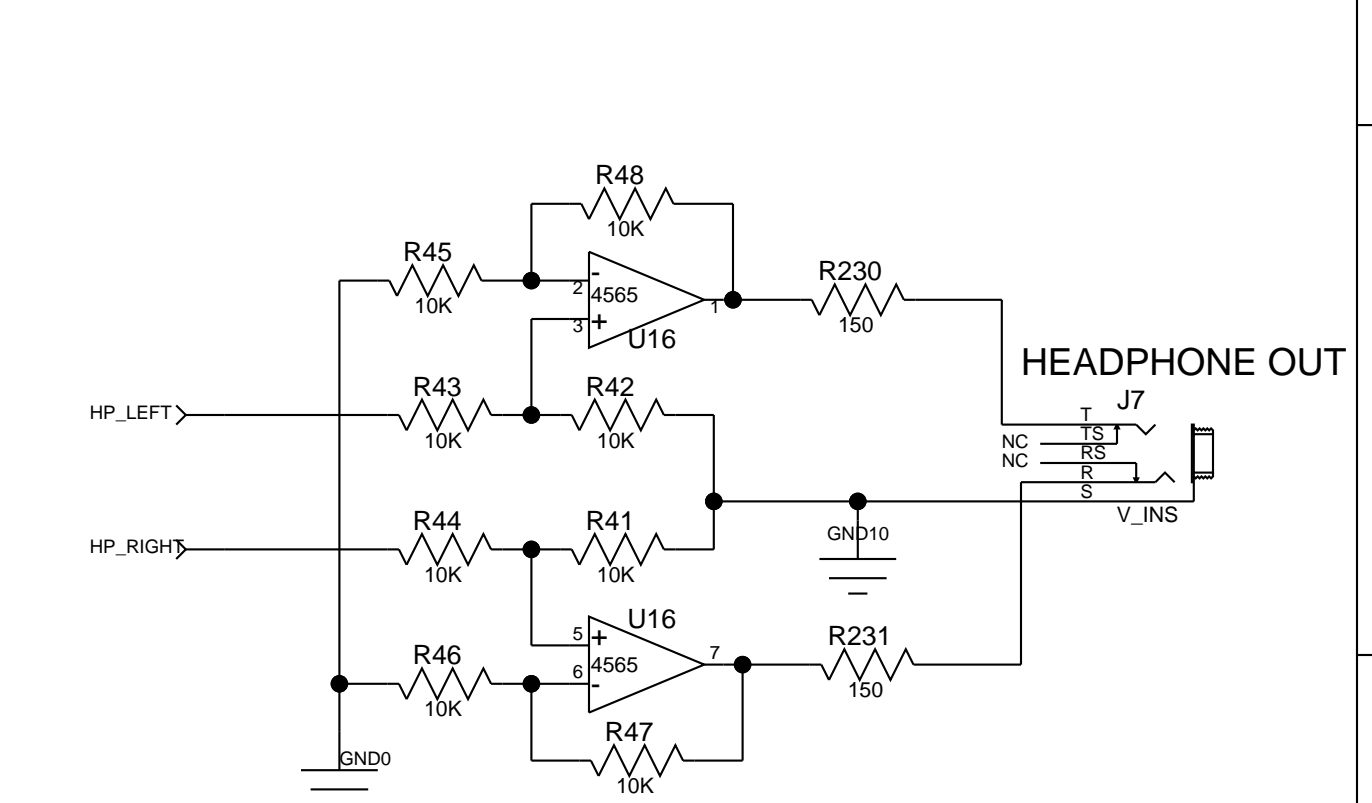
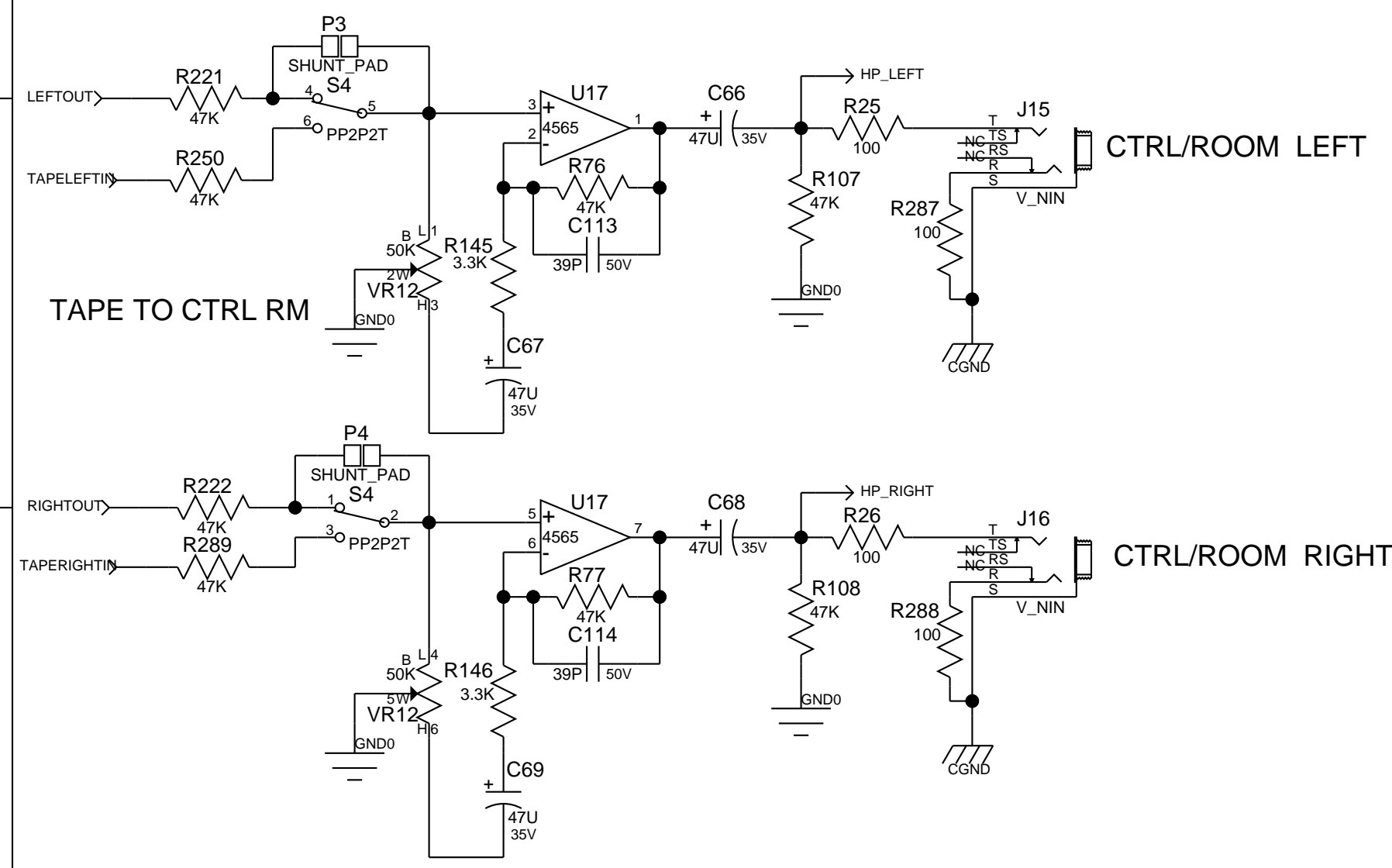
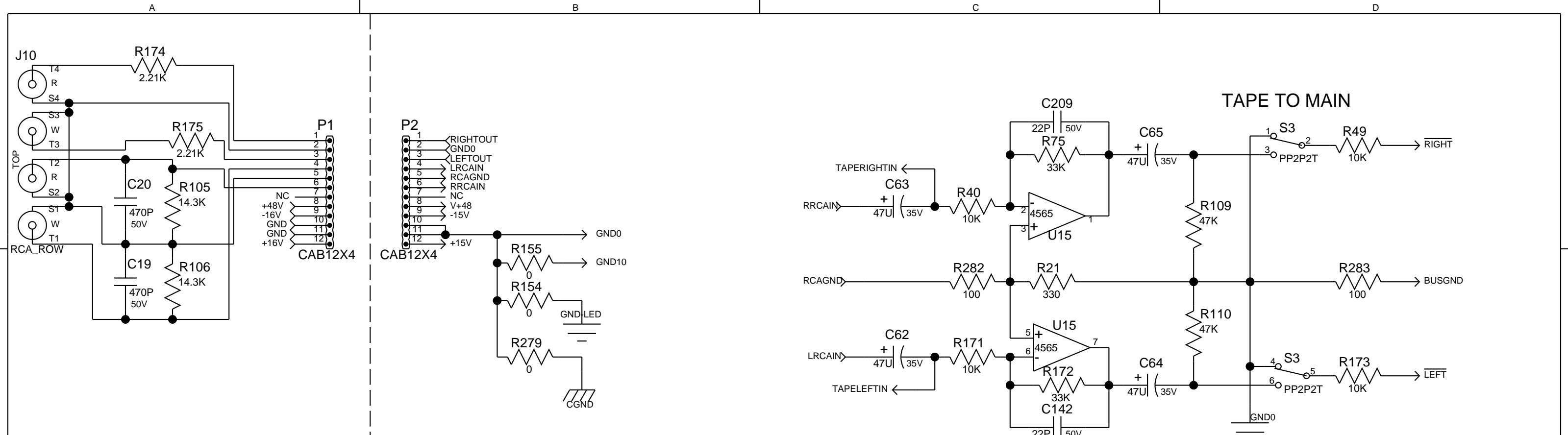


PEAVEY

Peavey Electronics Corp.
P. O. Box 2898
Meridian, MS 39301

Title: **PV6**
Sheet Title: **EFX SEND/RETURN**

B Sheet 6 of 10 Date: 3-9-2009_10:07

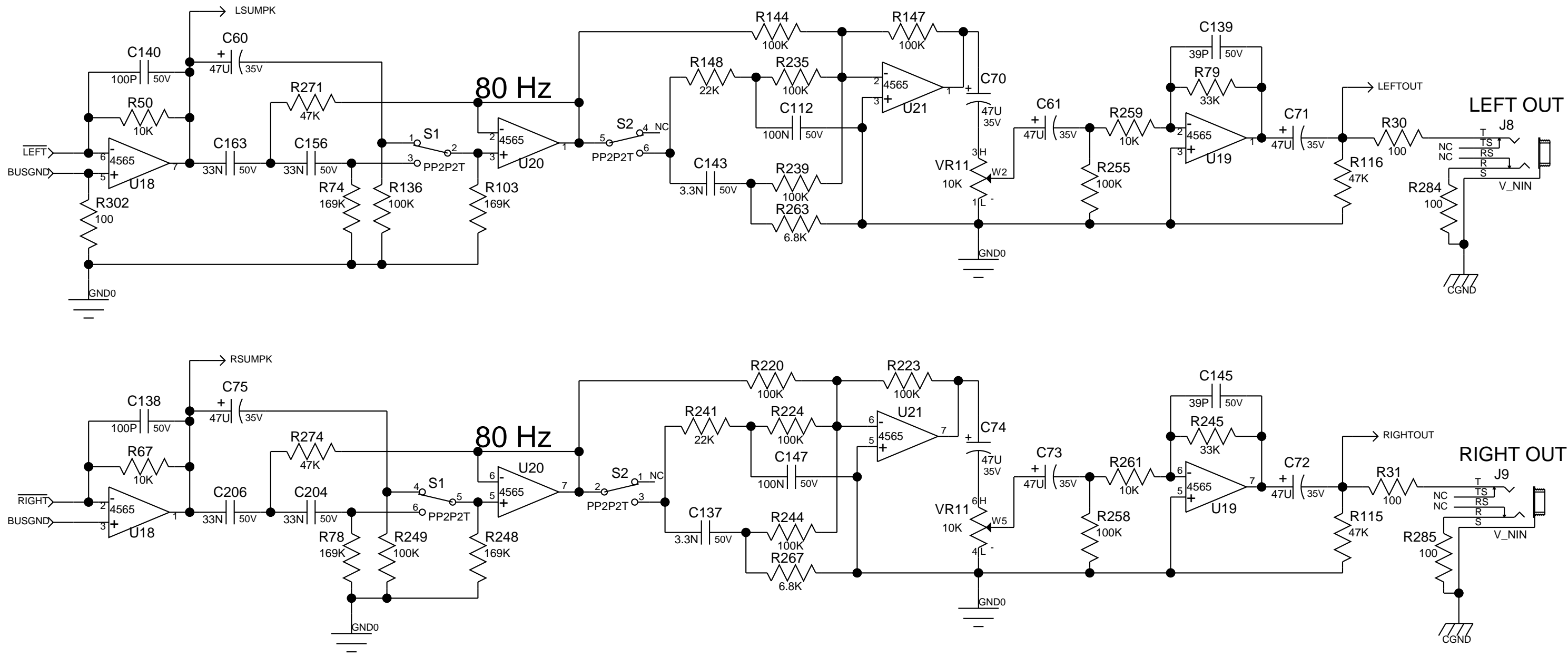


PEAVEY
Peavey Electronics Corp.
P. O. Box 2898
Meridian, MS 39301

PV6

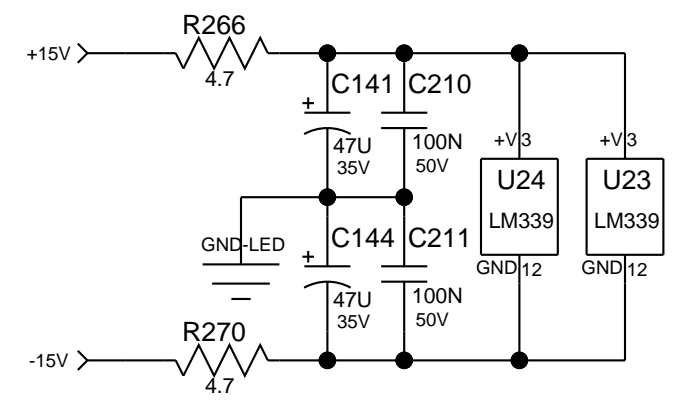
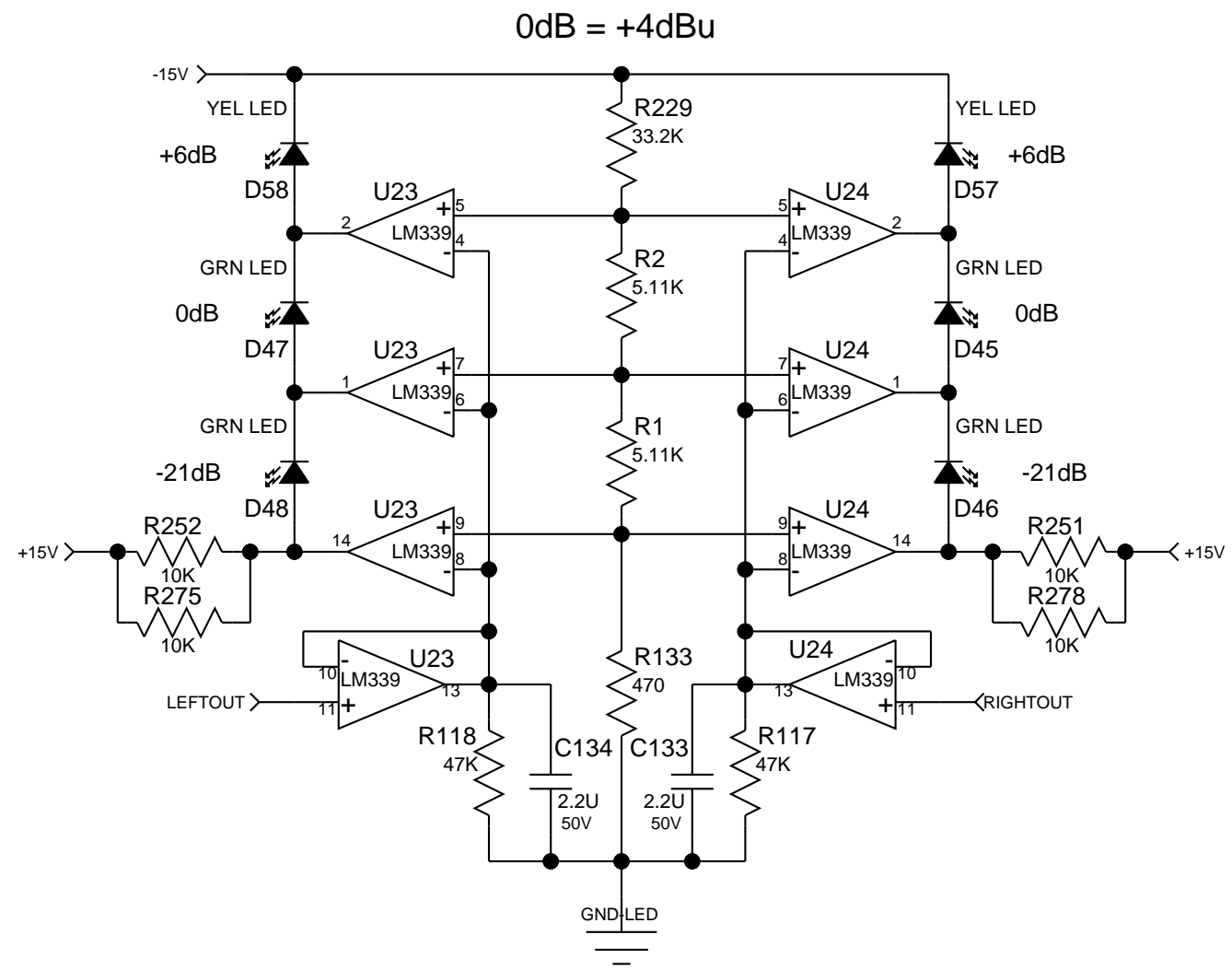
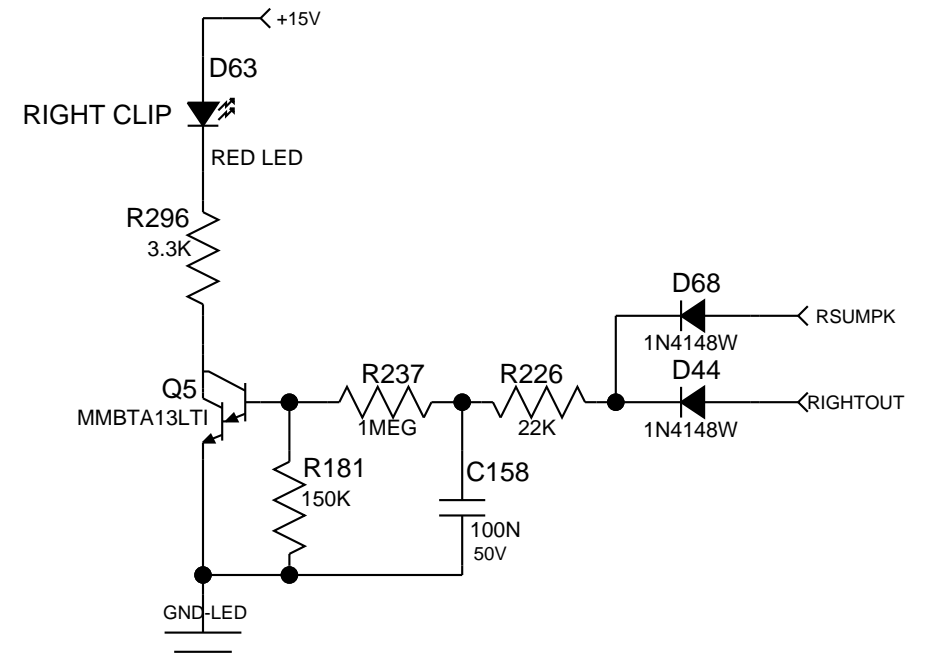
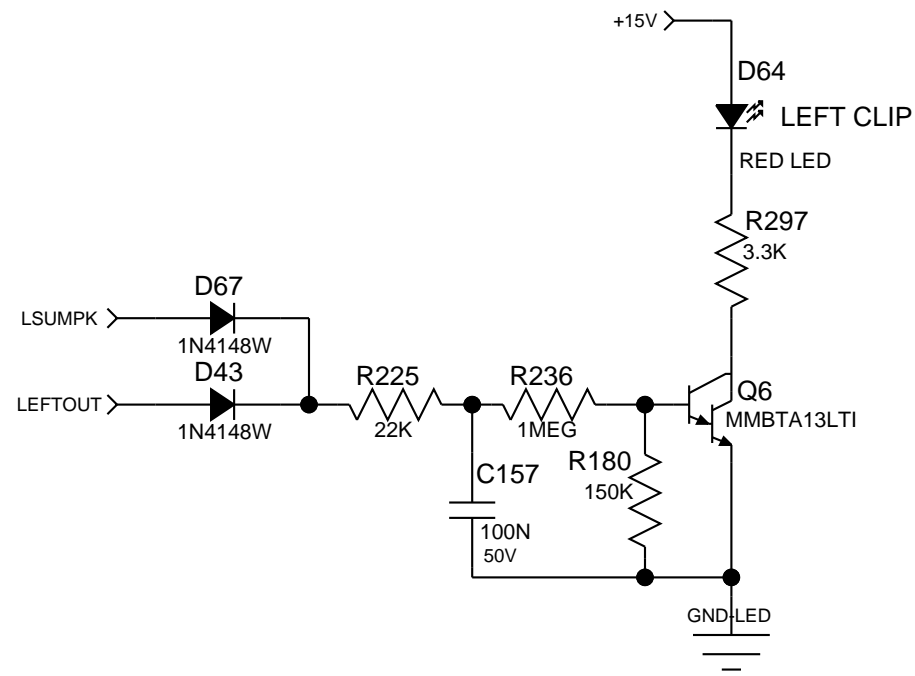
Sheet Title: **TAPE IN/OUT HP**

B Sheet 7 of 10 Date: 3-9-2009_10:07

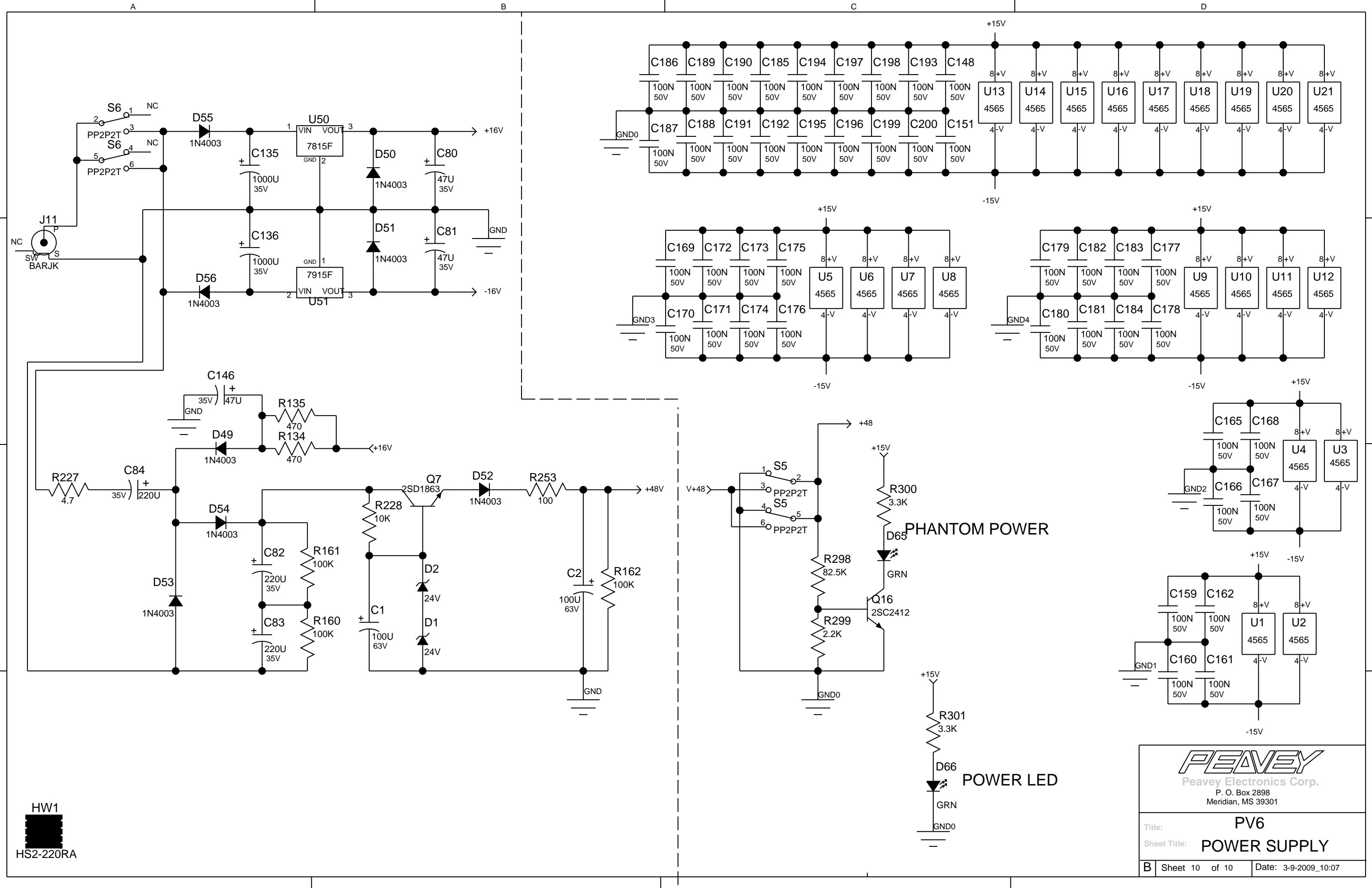


Peavey Electronics Corp.
 P. O. Box 2898
 Meridian, MS 39301

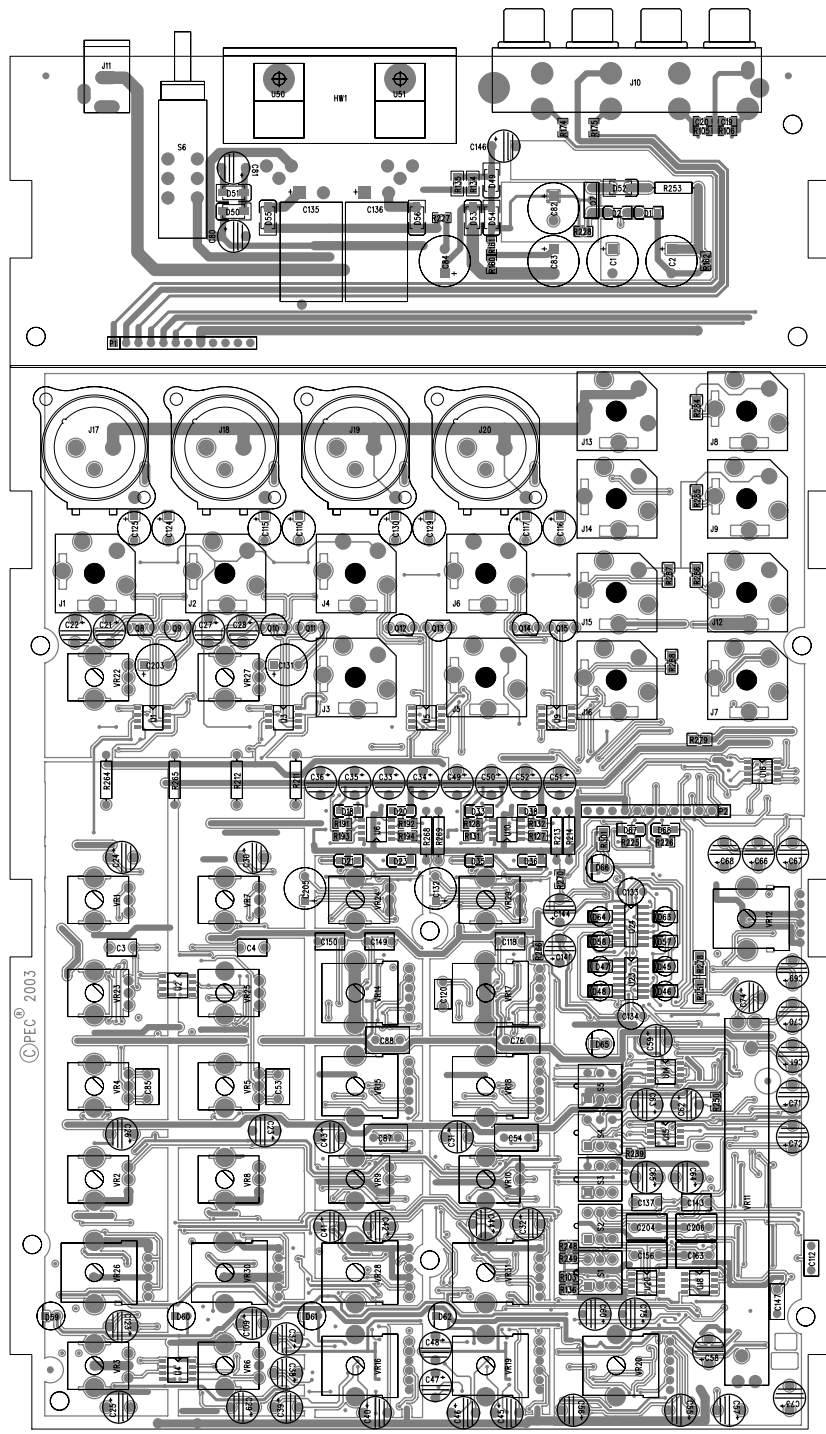
Title: PV6
 Sheet Title: LEFT/RIGHT OUTPUT
 B Sheet 8 of 10 Date: 3-9-2009_10:07

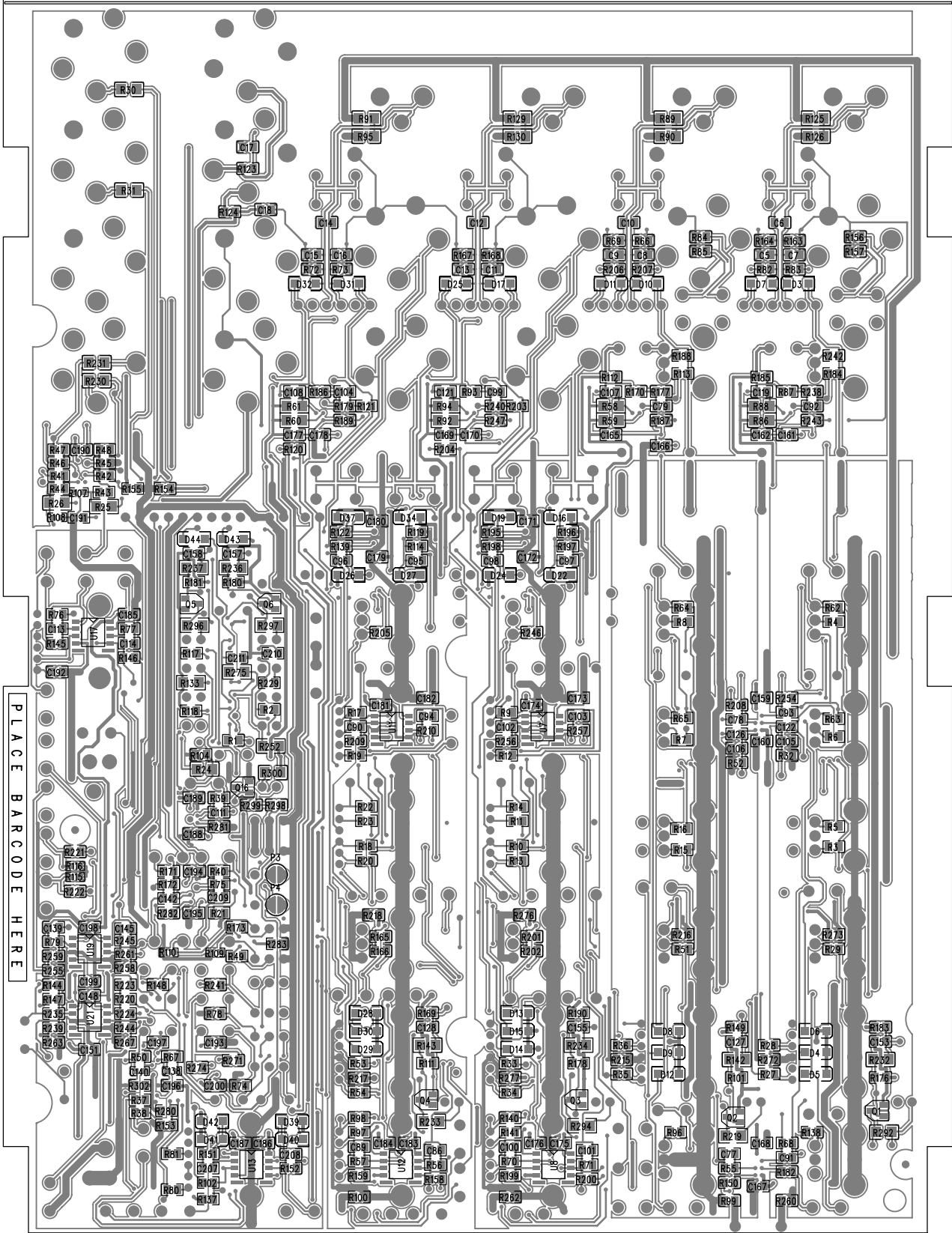
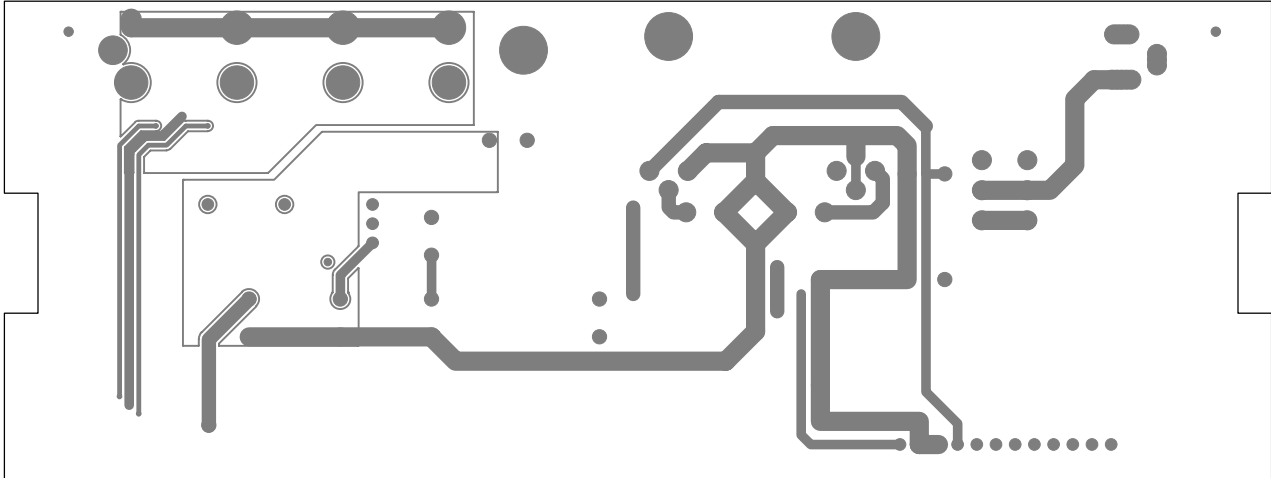


Title: PV6
 Sheet Title: LED ARRAY
 B Sheet 9 of 10 Date: 3-9-2009_10:07



Title: PV6
 Sheet Title: POWER SUPPLY
 B Sheet 10 of 10 Date: 3-9-2009_10:07





BILL OF MATERIAL REPORT

REPORT DATE/TIME: 3/9/2009 1:12:42 PM

BOARD NAME: PV6 MAIN ASSEMBLY LEVEL NUMBER: 99060533

PROJECT NUMBER: P0300008 DESIGNER: JTH - 32100961

Qty.	Part #	Description	Reference Designators

--			
2	602-70200166-1	RES SMD 0805 1/10W 5% 6.8K	R263 R267
31	602-70200168-1	RES SMD 0805 1/10W 5% 10K	R27 R28 R29 R32 R33 R34 R35 R36 R37 R38 R40 R41 R42 R43 R44 R45 R46 R47 R48 R49 R50 R51 R52 R53 R54 R67 R171 R173 R228 R259 R261
2	602-70200169-1	RES SMD 0805 1/10W 5% 22K	R148 R241
12	602-70200170-1	RES SMD 0805 1/10W 5% 47K	R39 R76 R77 R104 R117 R118 R221 R222 R250 R271 R274 R289
19	602-70200178-1	RES SMD 0805 1/10W 5% 100K	R84 R85 R136 R144 R147 R156 R157 R160 R161 R162 R220 R223 R224 R235 R239 R244 R249 R255 R258
2	602-70200206-1	RES SMD 0805 1/8W 1% 14.3K	R105 R106
1	602-K11403322-1	RES SMD 0805 1/8W 1% 33.2K T&R (KW000056)	R229
4	602-K11421501-1	RES SMD 0805 1/8W 5% 1.5K T&R (KW000016)	R62 R63
R64 R65			
1	602-K11422201-1	RES SMD 0805 1/8W 5% 2.2K T&R (KW000004)	R299
1	602-K11423300-1	RES SMD 0805 1/8W 5% 330R T&R (KW000013)	R21
4	30200194	100K 1/10W 1% MF 0805	R56 R57 R70 R71
2	30200563	62 1/10W 5% MF 0805	R205 R246
4	30300150	22PF 50V 5% NPO 0805	C86 C89 C100 C101

1	70200010	0.0	1/4W	5%	MF	1206	R279
6	70200036	1.0M	1/4W	5%	MF	1206	R142 R143 R232 R234 R236 R237
3	70200046	470	1/4W	5%	MF	1206	R133 R134 R135
4	70200051	10K	1/4W	1%	MF	1206	R251 R252 R275 R278
10	70200060	100	1/4W	1%	MF	1206	R24 R25 R26 R30 R31 R284 R285 R286 R287 R288
8	70200084	6.81K	1/4W	1%	MF	1206	R89 R90 R91 R95 R125 R126 R129 R130
8	70200160	15K	1/4W	1%	MF	1206	R58 R59 R60 R61 R86 R88 R92 R94
7	70200164	0.0	JUMPER		SMT	0805	R99 R100 R153 R154 R155 R260 R262
20	70200166	6.8K	1/10W	5%	MF	0805	R3 R4 R5 R6 R7 R8 R9 R10 R11 R12 R13 R14 R15 R16 R17 R18 R19 R20 R22 R23
15	70200169	22K	1/10W	5%	MF	0805	R149 R158 R159 R165 R166 R169 R182 R183 R190 R199 R200 R201 R202 R225 R226
8	70200173	4.99K	1/10W	1%	MF	0805	R87 R93 R170 R177 R179 R186 R238 R240
10	70200175	1.1K	1/10W	1%	MF	0805	R66 R69 R72 R73 R123 R124 R163 R164 R167 R168
4	70200200	8.25K	1/10W	1%	MF	0805	R82 R83 R206 R207
4	70200212	169K	1/10W	1%	MF	0805	R74 R78 R103 R248
1	70200241	4.70	1/10W	1%	MF	0805	R227
24	70200256	22.1K	1/10W	1%	MF	0805	R112 R113 R114 R119 R120 R121 R122 R127

					R128 R131 R132 R139 R184 R185 R191 R192 R193 R194 R195 R196 R197 R198 R203 R204
2	70200266	18.2K	1/10W 1% MF 0805		R80 R81
2	70200267	2.21K	1/10W 1% MF 0805		R174 R175
2	70200276	5.11K	1/10W 1% MF 0805		R1 R2
6	70200313	47K	1/10W 5% MF 0603		R107 R108 R109 R110 R115 R116
2	70200335	68.1K	1/10W 1% MF 0805		R151 R152
1	70200337	82.5K	1/10W 1% MF 0805		R298
2	70200340	150	1/4W 1% MF 1206		R230 R231
1	70240096	100	1/4W 5% FP AXL		R253
8	70241031	30.1K	1/4W 1% MF AXL		R211 R212 R213 R214 R264 R265 R268 R269
50	70300085	0.1UF	50V 80-20% Z5U 0805		C127 C128 C148 C151 C153 C155 C157 C158 C159 C160 C161 C162 C165 C166 C167 C168 C169 C170 C171 C172 C173 C174 C175 C176 C177 C178 C179 C180 C181 C182 C183 C184 C185 C186 C187 C188 C189 C190 C191 C192 C193 C194 C195 C196 C197 C198 C199 C200 C210 C211
25	70300087	39PF	50V 5% NPO 0805		C77 C78 C79 C90 C91 C92 C93 C94 C95 C96 C97 C98 C99 C102 C103 C104 C107 C108 C111 C113 C114 C119 C121 C139 C145
16	70300090	470PF	50V 5% NPO 0805		C5 C6 C7 C8 C9 C10 C11 C12 C13 C14 C15 C16 C17 C18 C19 C20
2	70300133	100PF	50V 5% NPO 0603		C138 C140

2	70300148	0.022UF	50V	5%	X7R	0805	C105 C106
4	70300150	22PF	50V	5%	NPO	0805	C142 C207 C208 C209
2	70300176	0.068UF	50V	5%	X7R	0805	C122 C126
8	70320182	47UF	50V	20%	EL	RAD	C110 C115 C116 C117 C124 C125 C129 C130
2	70320184	2.2UF	50V	20%	ELN	RAD	C133 C134
2	70320186	1000UF	35V	20%	EL	RAD	C135 C136
2	70320264	100UF	63V	20%	EL	RAD	C1 C2
4	70320343	1000UF	6.3V	20%	EL	RAD	C131 C132 C203 C205
60	70320344	47UF	35V	20%	EL	RAD	C21 C22 C23 C24 C25 C26 C27 C28 C29 C30 C31 C32 C33 C34 C35 C36 C37 C38 C39 C40 C41 C42 C43 C44 C45 C46 C47 C48 C49 C50 C51 C52 C55 C56 C57 C58 C59 C60 C61 C62 C63 C64 C65 C66 C67 C68 C69 C70 C71 C72 C73 C74 C75 C80 C81 C109 C123 C141 C144 C146
3	70320351	220UF	35V	20%	EL	RAD	C82 C83 C84
4	70330115	0.033UF	50V	5%	PE	RADH	C156 C163 C204 C206
4	70330124	0.068UF	50V	5%	PE	RAD	C54 C76 C87 C88
6	70330127	1800PF	50V	5%	PE	RAD	C3 C4 C118 C120 C149 C150
2	70330129	0.1UF	50V	5%	PE	RAD	C112 C147
2	70330130	3300PF	50V	5%	PE	RAD	C137 C143
2	70330133	0.12UF	50V	5%	PE	RAD	C53 C85
1	70400318	7815F	+15V	INS	TO-220F	HOR	U50
1	70400319	7915	-15V	INS	TO-220F	HOR	U51

2	70400979	24V ZENER (SOD123)-SMT	D1 D2
1	70418034	2SC2412 NPN SMT	Q16
6	70418051	MMBTA13LTI NPN DARL. SMT	Q1 Q2 Q3 Q4 Q5 Q6
2	70418110	LM339 QUAD COMPARATOR SMT	U23 U24
8	70418261	1N4003 - SMT - SMA PKG	D49 D50 D51 D52 D53 D54 D55 D56
44	70418328	1N4148W SWITCHING DIODE	D3 D4 D5 D6 D7 D8 D9 D10 D11 D12 D13 D14 D15 D16 D17 D18 D19 D20 D21 D22 D23 D24 D25 D26 D27 D28 D29 D30 D31 D32 D33 D34 D35 D36 D37 D38 D39 D40 D41 D42 D43 D44 D67 D68
21	70418506	4565 DUAL OPAMP SOIC8W	U1 U2 U3 U4 U5 U6 U7 U8 U9 U10 U11 U12 U13 U14 U15 U16 U17 U18 U19 U20 U21
1	70422008	2SD1863, NPN, 1A, 80V RAD	Q7
4	70450050	RED T1 LED W/.500" SPCR	D59 D60 D61 D62
2	70450051	GRN T1 LED W/.500" SPCR	D65 D66
2	70450837	RED RECT LED W/0.390" SPACER	D63 D64
4	70450838	GRN RECT LED W/0.390" SPACER	D45 D46 D47 D48
2	70450839	YEL RECT LED W/0.390" SPACER	D57 D58
8	70460786	2SD786S NPN TRANS RAD	Q8 Q9 Q10 Q11 Q12 Q13 Q14 Q15
2	70600053	12C .100 STRP STRP 4" JMP	P1 P2
2	71190257	10KB SNGL 9MM DET VER	VR23 VR25
10	71190259	50KB SNGL 9MM DET VER	VR1 VR2 VR3 VR4

						VR5 VR6 VR7 VR8 VR9 VR10
4	71190261	25KSP	SNGL	9MM	VER	VR22 VR24 VR27 VR29
4	71190710	10KA/C	DUAL	12MM	DET VER	VR26 VR28 VR30 VR31
8	71190716	50KB	DUAL	12MM	DET VER	VR12 VR14 VR15 VR16 VR17 VR18 VR19 VR20
1	71191044	10K	DUAL	60MM	VER STEREO	VR11
1	71322289	SWITCH	DPDT	PP	3.3MM PC H	S6
5	71322356	SWITCH	DPDT	2.8MM	SHFT V	S1 S2 S3 S4 S5
1	71466267	DC POWER	JACK	W/O	EARS	J11
4	71466325	FXLR	NC3FAV	A-SER	VERT	J17 J18 J19 J20
1	71466468	RCA	QUAD	ROW	HORZ PC	J10
1	98003083	DUAL	T0220	HEATSINK	RA	HW1
1	BARCODE	??				BARCODE1
8	FIDUCIAL	??				FID1 FID2 FID3 FID4 FID5 FID6 FID7 FID8
8	JUMPER	??				JMP1 JMP5 JMP6 JMP7 JMP8 JMP13 JMP14 JMP15
6	K702002	22	1/10W	5%	MF 0805	R187 R188 R189 R242 R243 R247
6	K702004	8.2K	1/10W	5%	MF 0805	R208 R209 R210 R254 R256 R257
8	K702005	3.3K	1/4W	5%	MF 1206	R219 R233 R292 R294 R296 R297 R300 R301
1	K702006	22K	1/10W	5%	MF 0805	R150
8	K702007	3.3K	1/10W	5%	MF 0805	R96 R97 R98 R138 R140 R141 R145 R146
6	K702008	150K	1/10W	5%	MF 0805	R101 R111 R176 R178 R180 R181

13	K702009	100	1/10W 5% MF 0805	R215 R216 R217 R218 R272 R273 R276 R277 R280 R281 R282 R283 R302
6	K702011	33K	1/10W 5% MF 0805	R55 R68 R75 R79 R172 R245
1	K702012	47	1/10W 5% MF 0805	R137
1	K702013	68	1/10W 5% MF 0805	R102
2	K702018	4.7	1/10W 5% MF 0805	R266 R270
1	K71466216		STEREO HID JACK INSU W/SP	J7
13	K71466217		STEREO HID JACK NINS W/SPD	J1 J2 J3 J4 J5 J6 J8 J9 J12 J13 J14 J15 J16
2	SHUNT		????????????????????????????????	P3 P4

 END OF BILL OF MATERIAL REPORT
