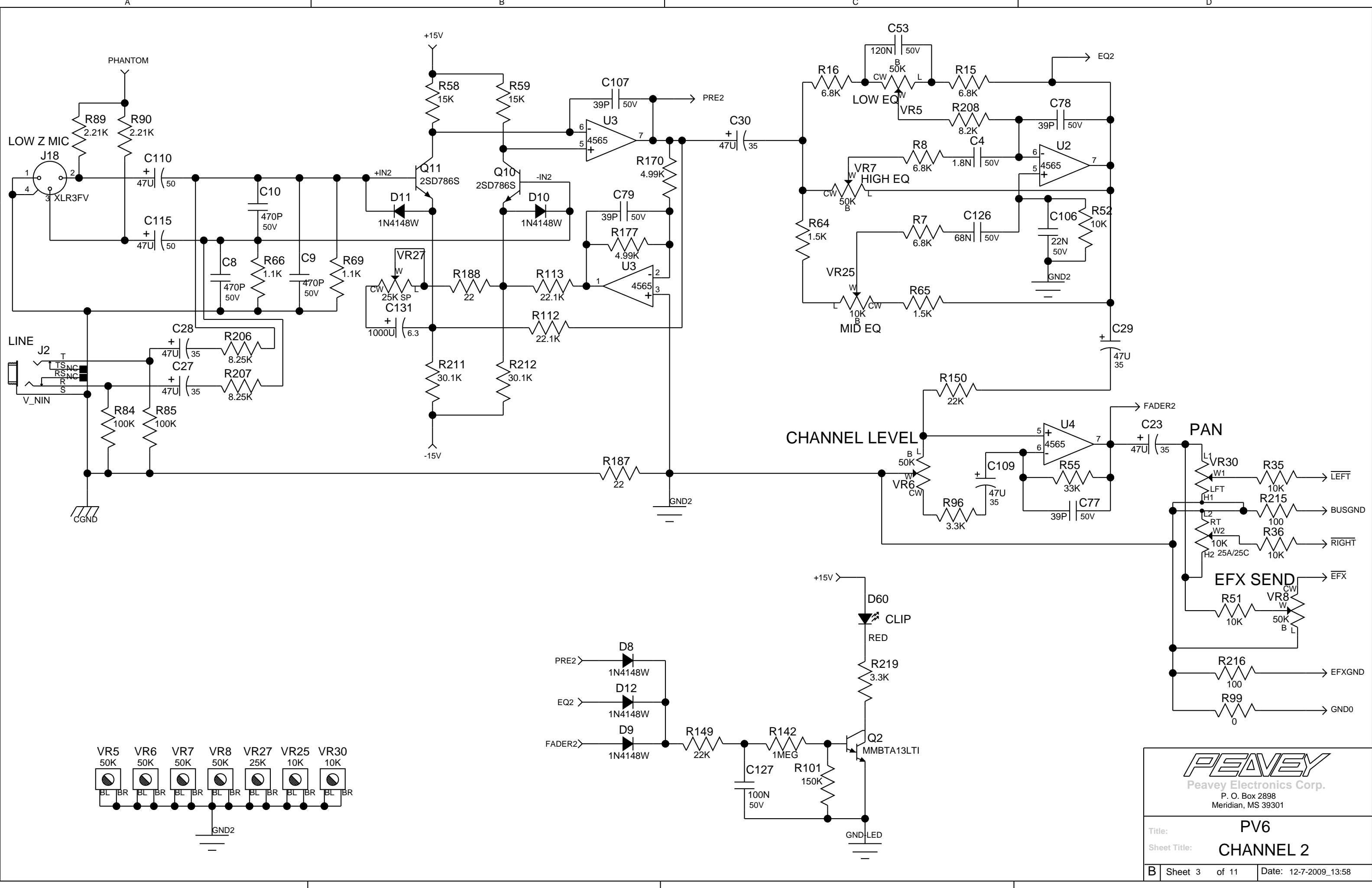


  
 Peavey Electronics Corp.  
 P. O. Box 2898  
 Meridian, MS 39301

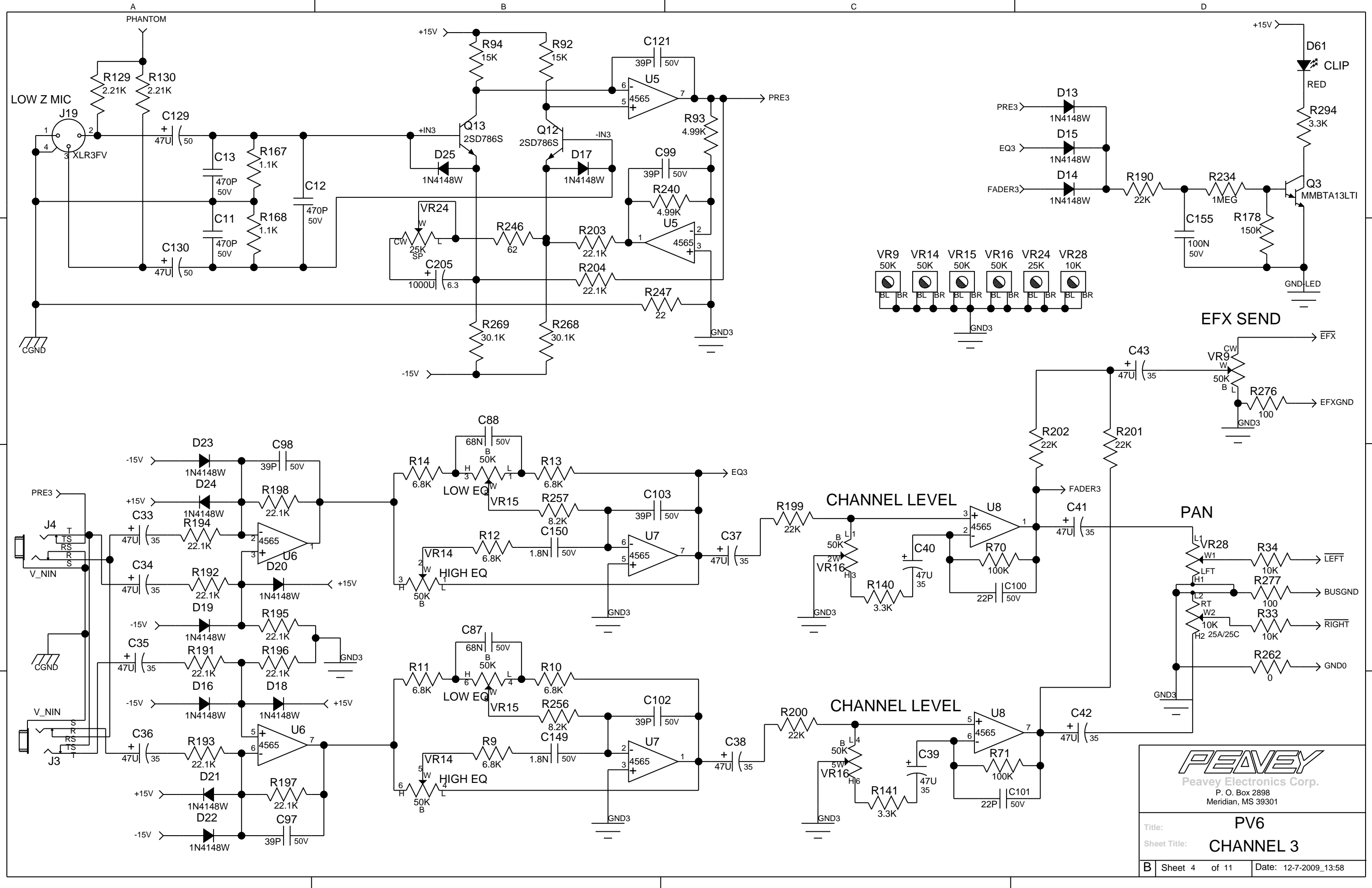
**Title:** PV6  
**Sheet Title:** CHANNEL 1

**B** Sheet 2 of 11      Date: 12-7-2009\_13:58



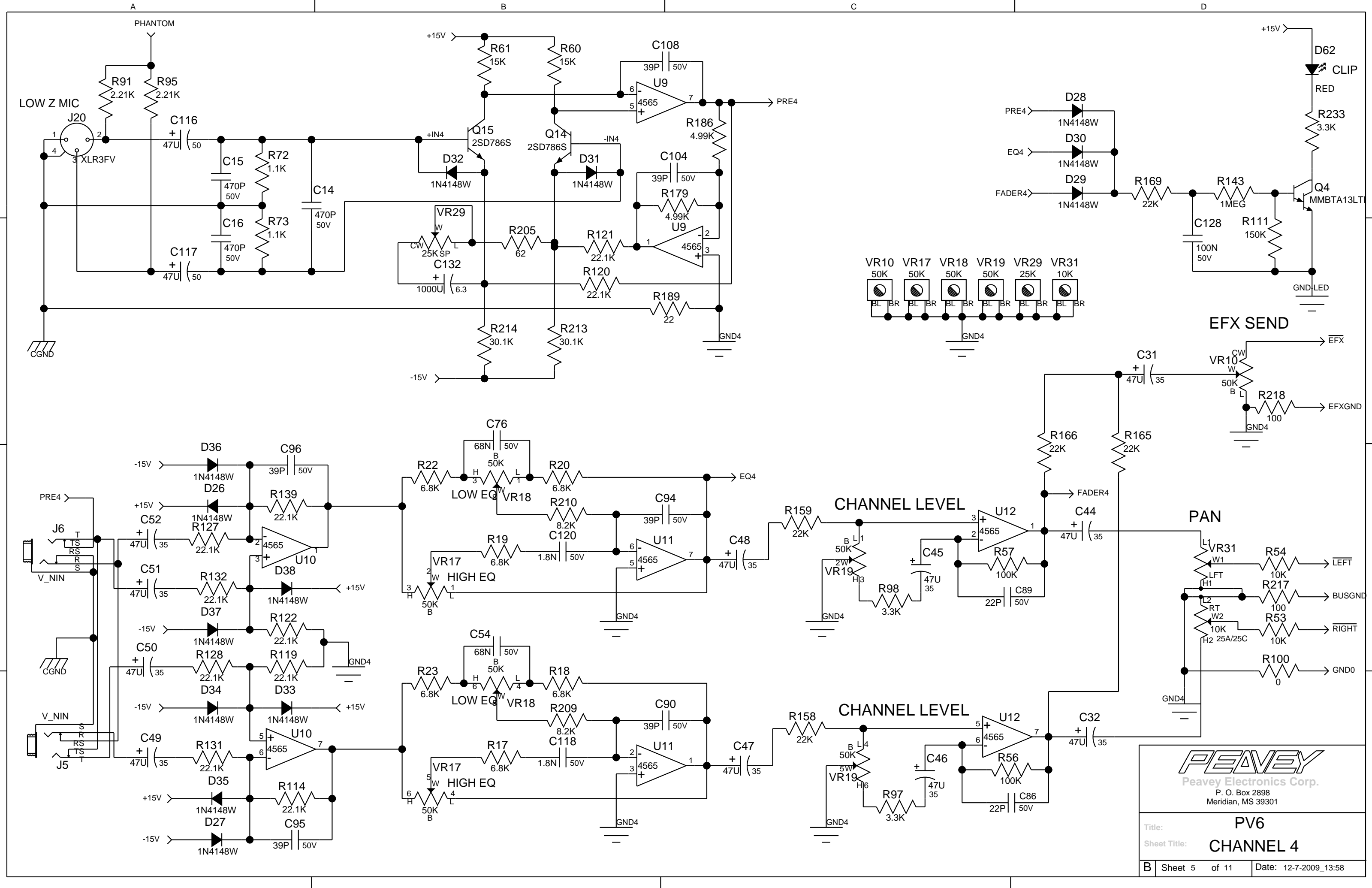
**PEAVEY**  
 Peavey Electronics Corp.  
 P. O. Box 2898  
 Meridian, MS 39301

Title: **PV6**  
 Sheet Title: **CHANNEL 2**



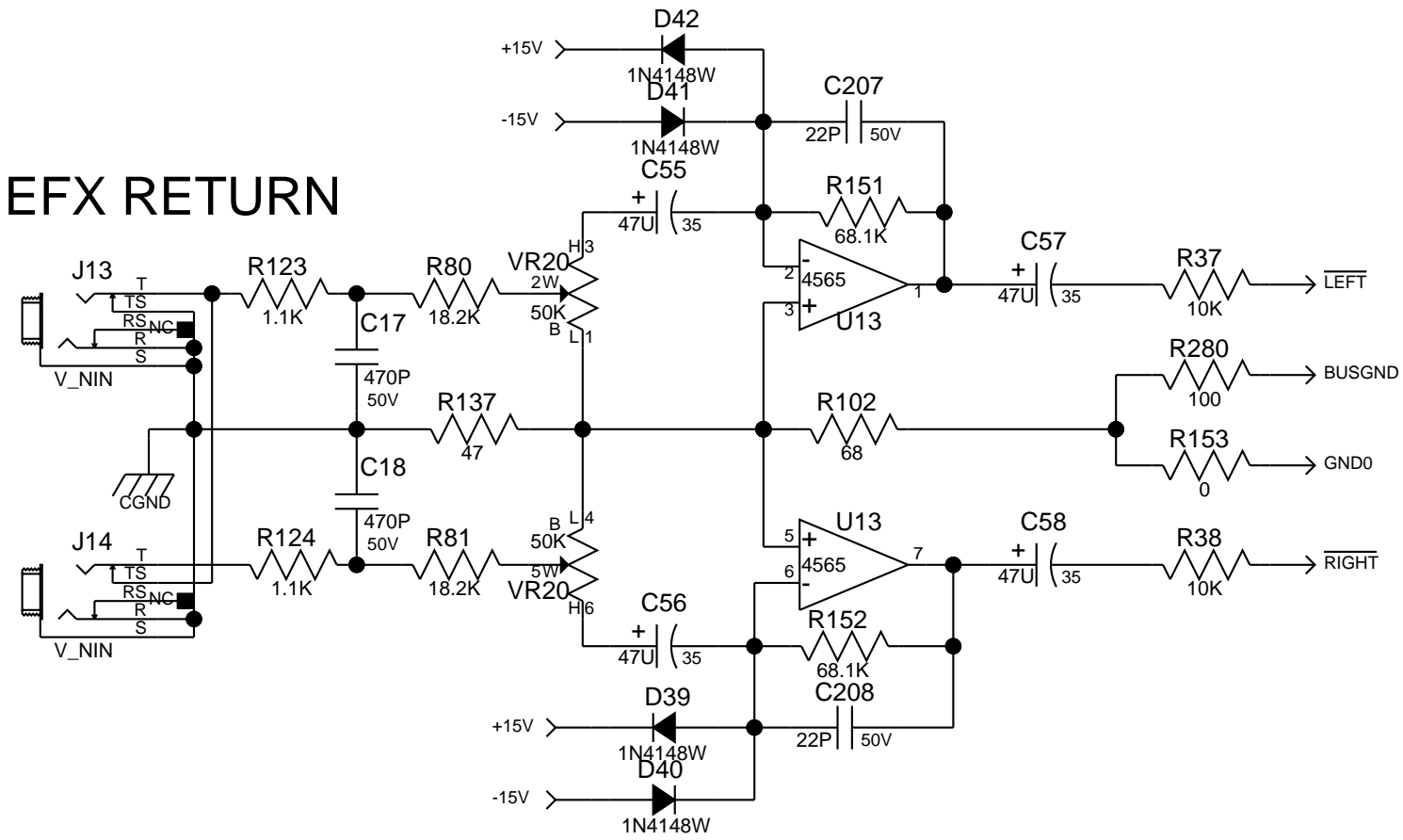
**PEAVEY**  
 Peavey Electronics Corp.  
 P. O. Box 2898  
 Meridian, MS 39301

Title: **PV6**  
 Sheet Title: **CHANNEL 3**  
 B Sheet 4 of 11 Date: 12-7-2009\_13:58

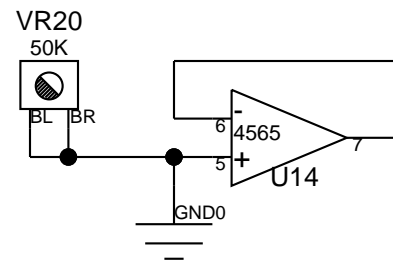
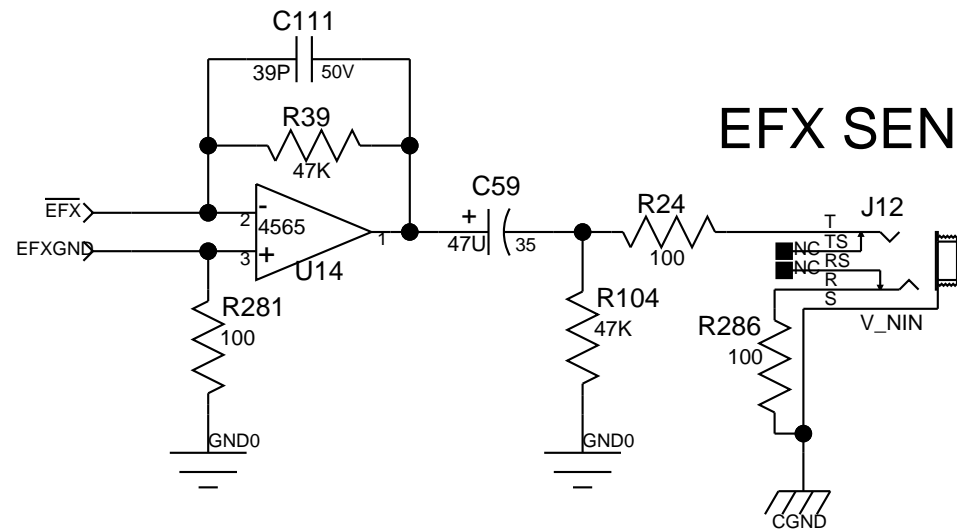


Title: PV6  
 Sheet Title: CHANNEL 4  
 B Sheet 5 of 11 Date: 12-7-2009\_13:58

# EFX RETURN

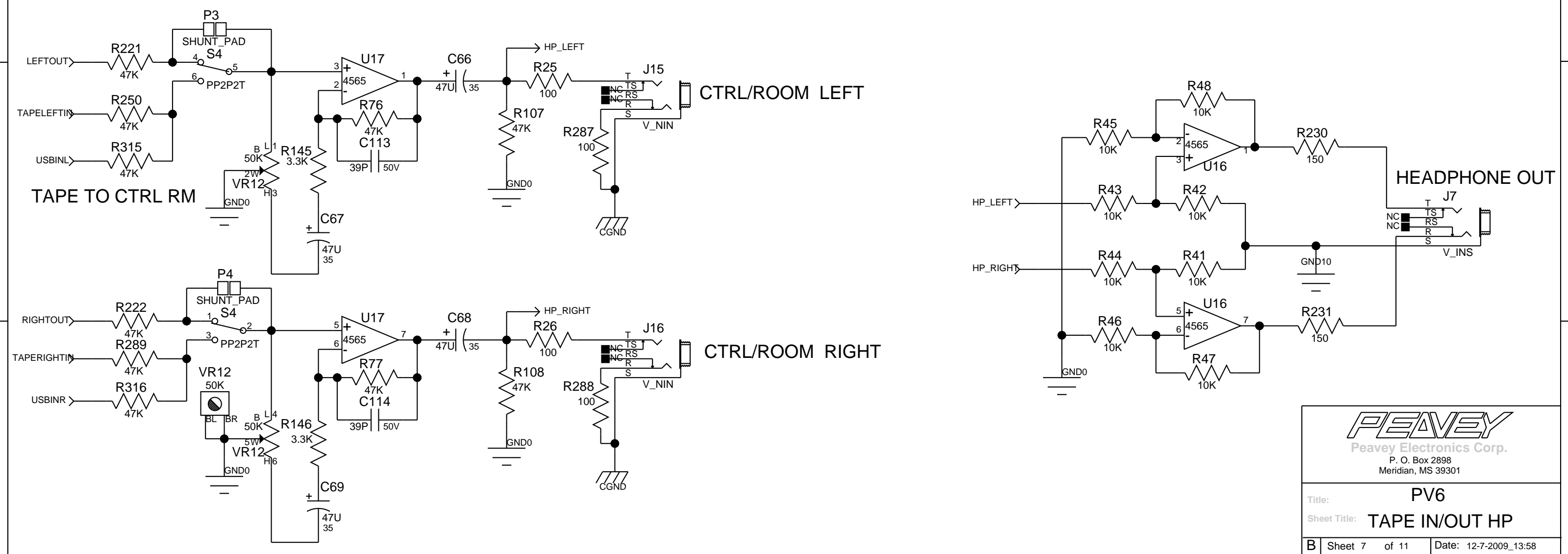
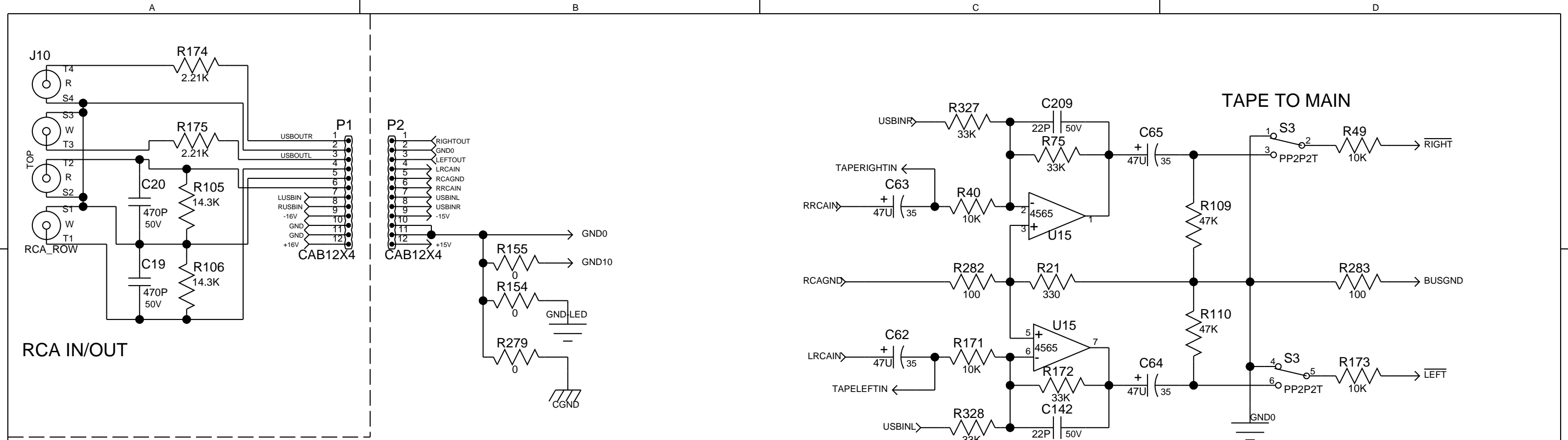


# EFX SEND



Peavey Electronics Corp.  
P. O. Box 2898  
Meridian, MS 39301

Title: **PV6**  
Sheet Title: **EFX SEND/RETURN**

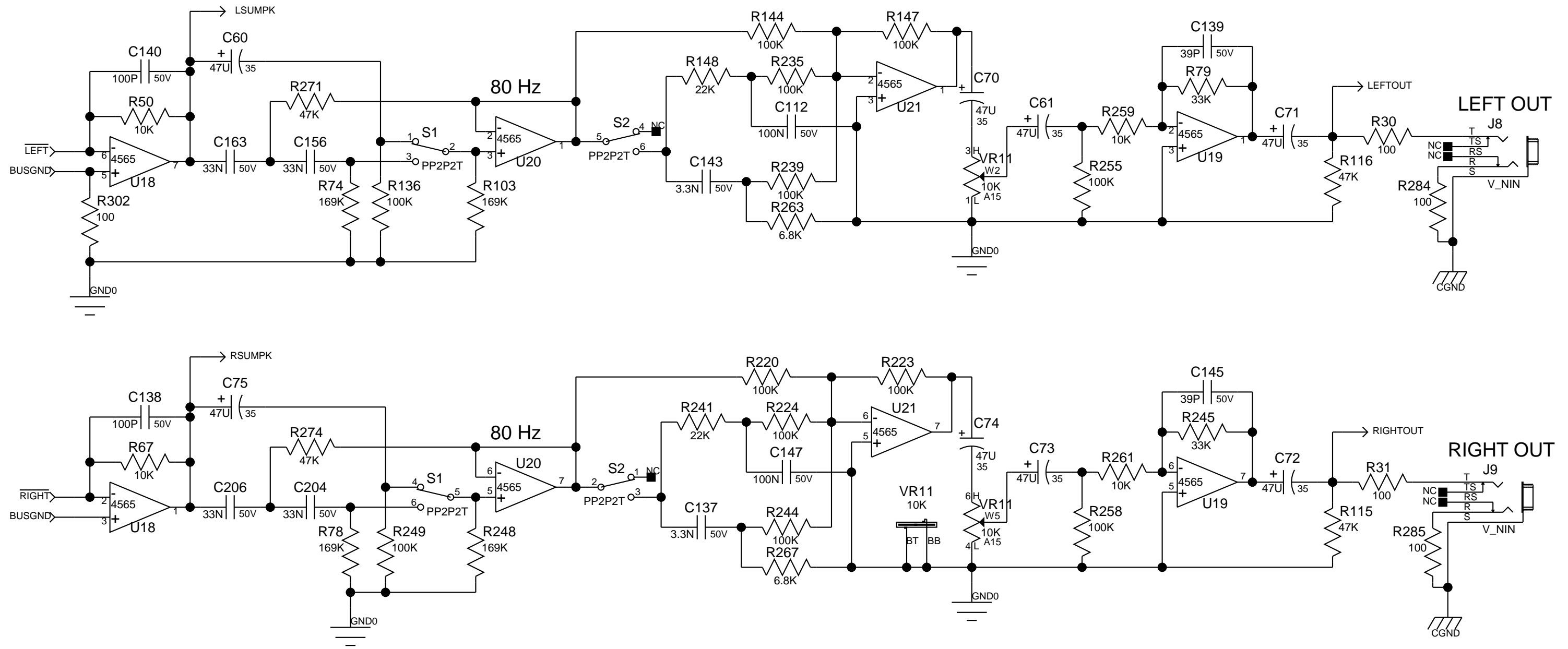


**PEAVEY**  
Peavey Electronics Corp.  
P. O. Box 2898  
Meridian, MS 39301

**PV6**

Sheet Title: **TAPE IN/OUT HP**

B Sheet 7 of 11 Date: 12-7-2009\_13:58



**PEAVEY**

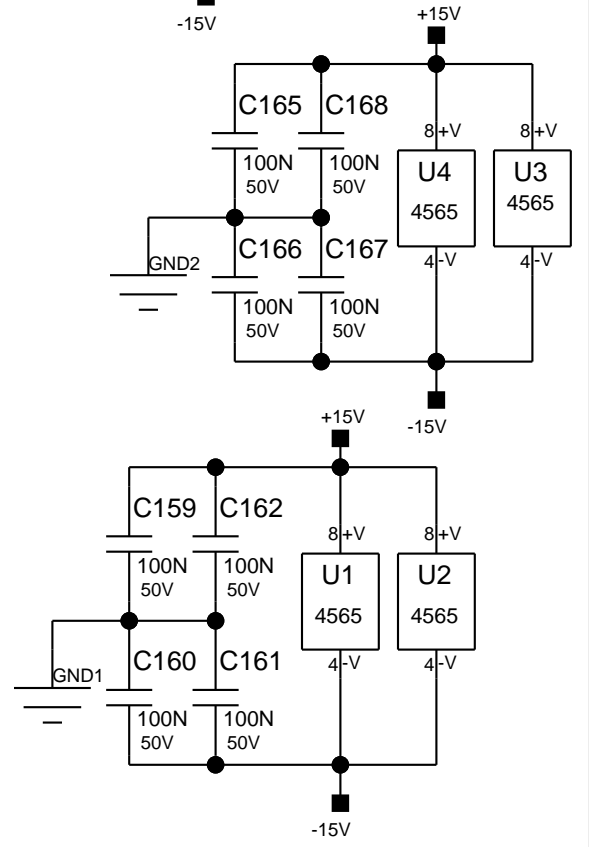
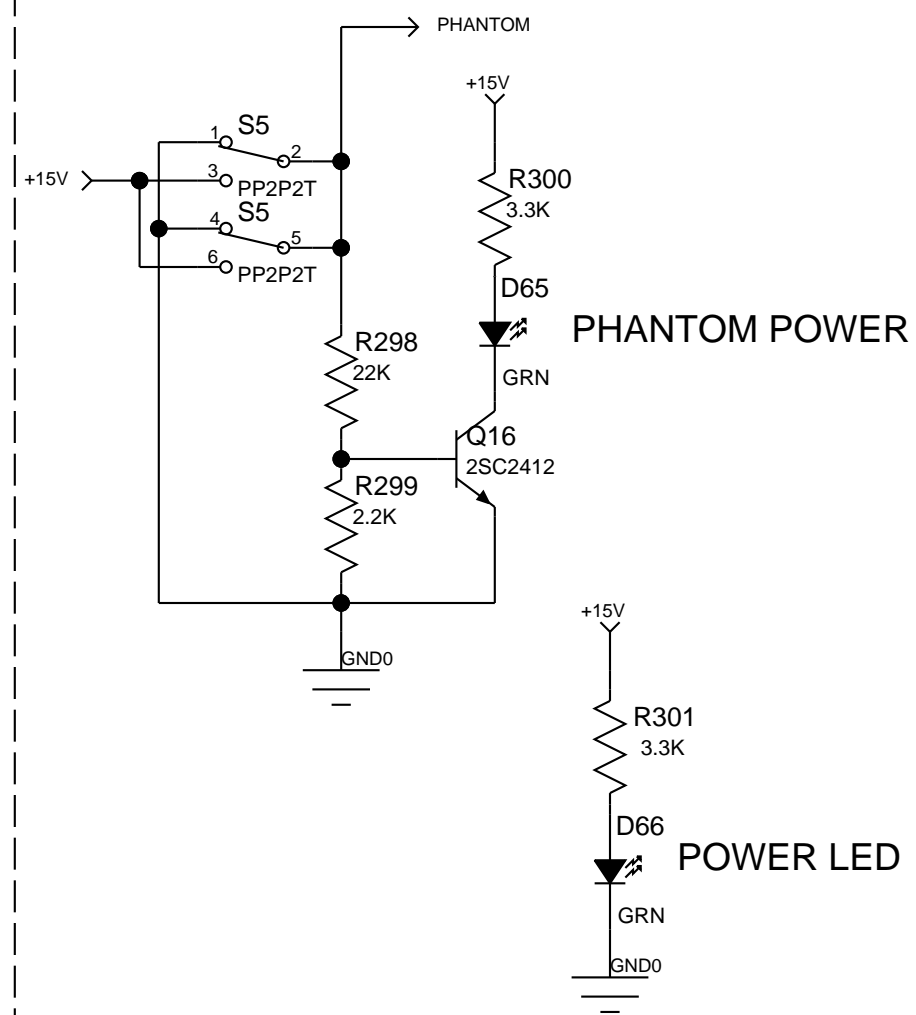
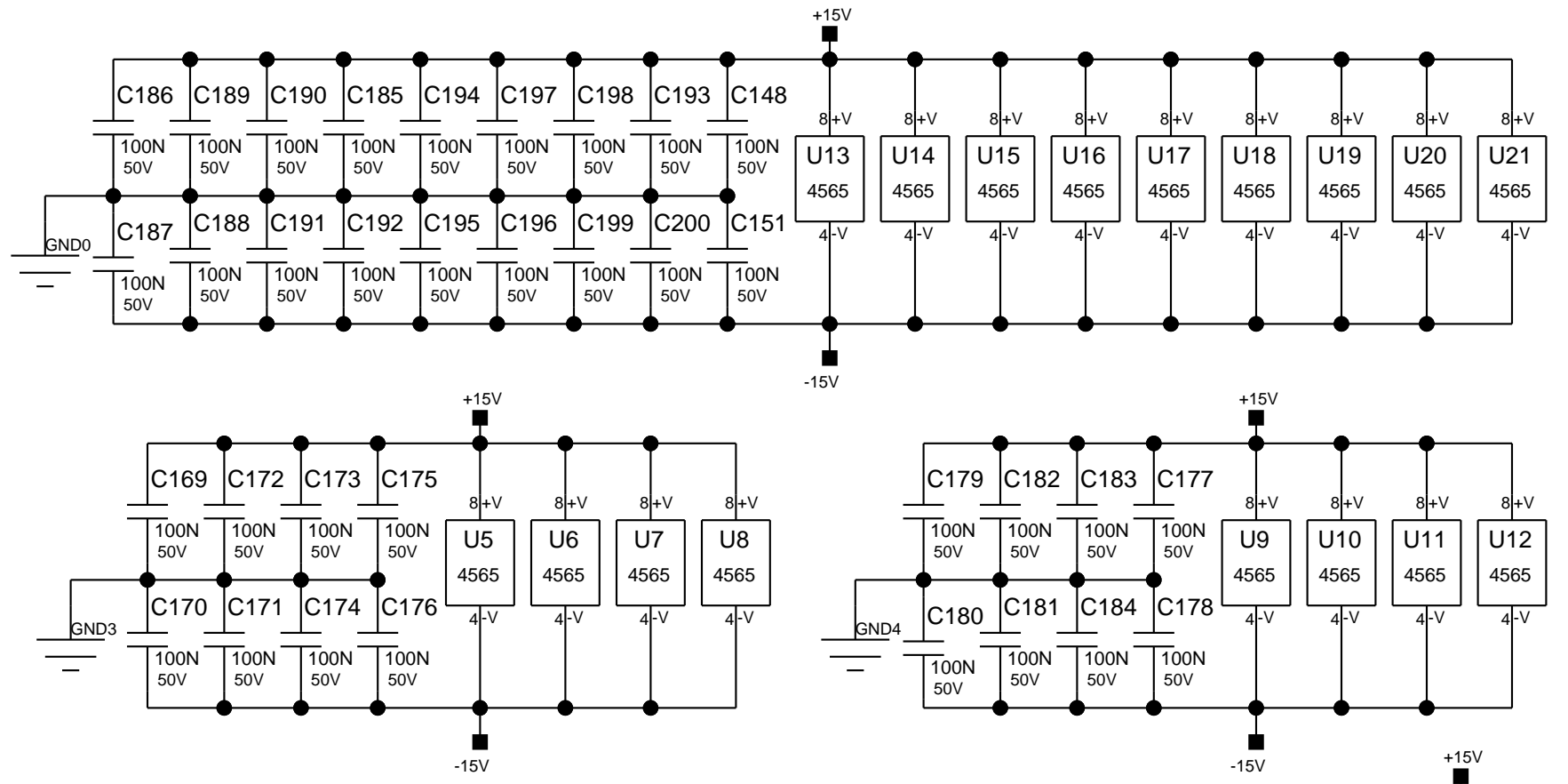
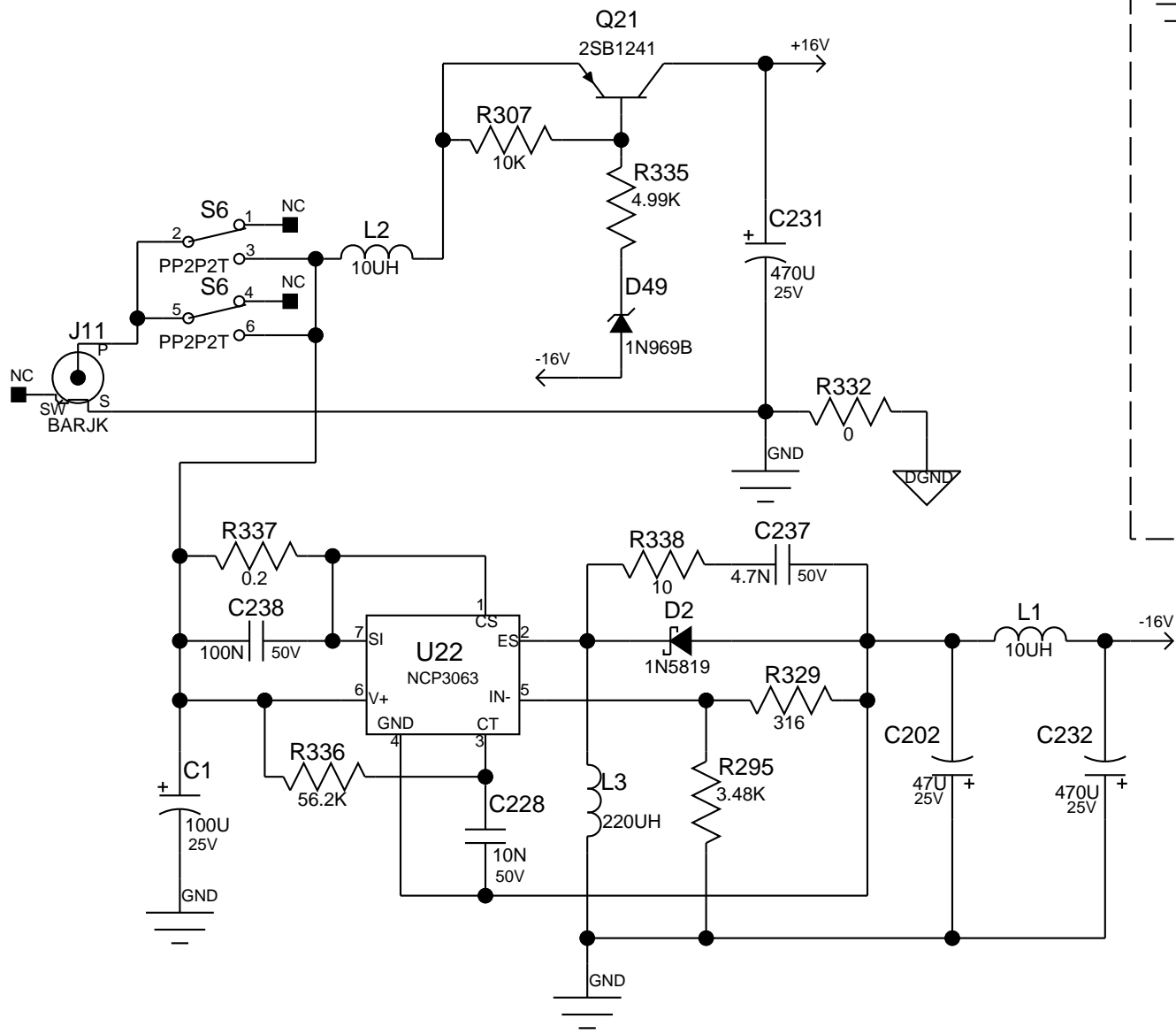
Peavey Electronics Corp.  
P. O. Box 2898  
Meridian, MS 39301

Title: **PV6**  
Sheet Title: **LEFT/RIGHT OUTPUT**

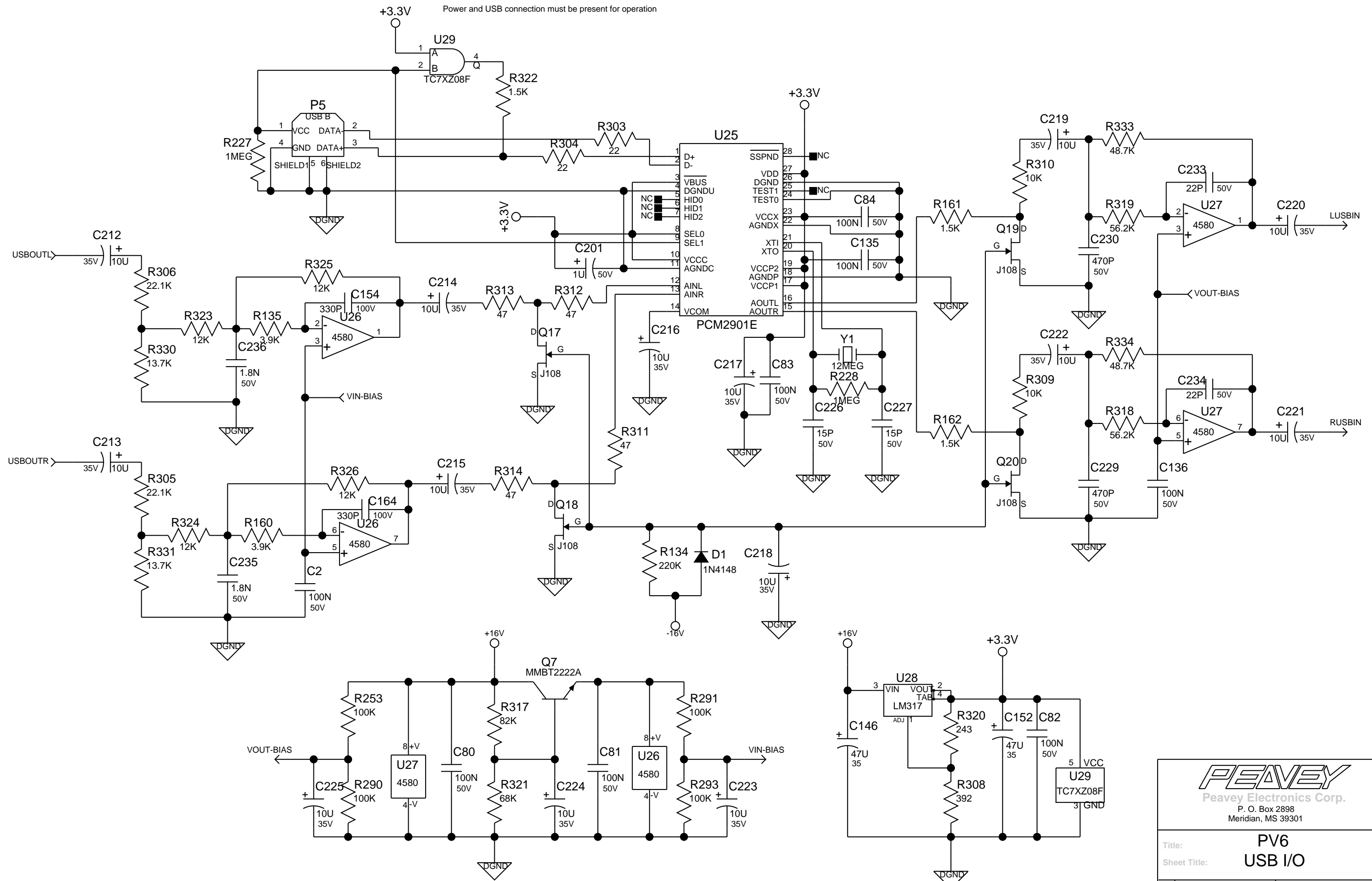
B Sheet 8 of 11 Date: 12-7-2009\_13:58



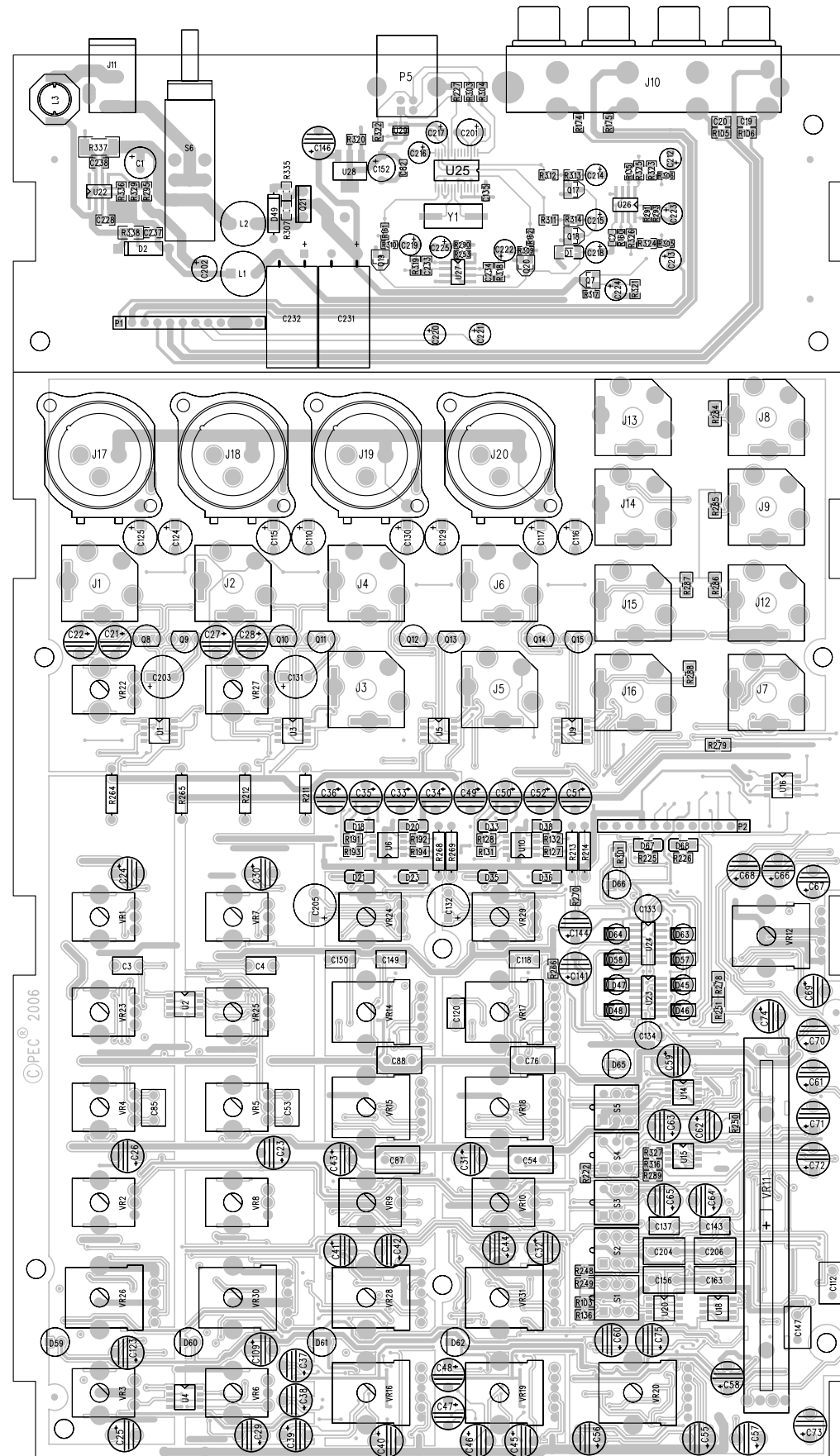




Title: PV6  
 Sheet Title: POWER SUPPLY  
 B Sheet 10 of 11 Date: 12-7-2009\_13:58



Title: PV6  
Sheet Title: USB I/O



PV6 USB MAIN □  
PRIMARY SIDE VIEW



BILL OF MATERIAL REPORT  
-----

REPORT DATE/TIME: 12/8/2009 2:43:17 PM

BOARD NAME: PV6 USB Main

ASSEMBLY LEVEL NUMBER: 39570342

PROJECT NUMBER: P0600080

DESIGNER: FJE

Qty.	Part #	Description	Reference Designators
2	602-70200166-1	RES SMD 0805 1/10W 5% 6.8K	R263 R267
30	602-70200168-1	RES SMD 0805 1/10W 5% 10K	R27 R28 R29 R32 R33 R34 R35 R36 R37 R38 R40 R41 R42 R43 R44 R45 R46 R47 R48 R49 R50 R51 R52 R53 R54 R67 R171 R173 R259 R261
2	602-70200169-1	RES SMD 0805 1/10W 5% 22K	R148 R241
14	602-70200170-1	RES SMD 0805 1/10W 5% 47K	R39 R76 R77 R104 R117 R118 R221 R222 R250 R271 R274 R289 R315 R316
2	602-70200177-1	RES SMD 0805 1/10W 5% 1M	R227 R228
16	602-70200178-1	RES SMD 0805 1/10W 5% 100K	R84 R85 R136 R144 R147 R156 R157 R220 R223 R224 R235 R239 R244 R249 R255 R258
2	602-70200206-1	RES SMD 0805 1/8W 1% 14.3K	R105 R106
1	602-K11403322-1	RES SMD 0805 1/8W 1% 33.2K T&R (KW000056)	R229
4	602-K11421202-1	RES SMD 0805 1/8W 5% 12K T&R (KW000008)	R323
	R324 R325 R326		
5	602-K11421501-1	RES SMD 0805 1/8W 5% 1.5K T&R (KW000016)	R62 R63
	R64 R65		
			R322
1	602-K11422201-1	RES SMD 0805 1/8W 5% 2.2K T&R (KW000004)	R299
1	602-K11422203-1	RES SMD 0805 1/8W 5% 220K T&R (KW000003)	R134

1	602-K11423300-1		RES SMD 0805 1/8W 5% 330R T&R (KW000013)	R21
2	30200010	0.0	1/4W 5% MF 1206	R279 R332
6	30200036	1.0M	1/4W 5% MF 1206	R142 R143 R232 R234 R236 R237
1	30200046	470	1/4W 5% MF 1206	R133
4	30200051	10K	1/4W 1% MF 1206	R251 R252 R275 R278
10	30200060	100	1/4W 1% MF 1206	R24 R25 R26 R30 R31 R284 R285 R286 R287 R288
7	30200164	0.0	JUMPER SMT 0805	R99 R100 R153 R154 R155 R260 R262
20	30200166	6.8K	1/10W 5% MF 0805	R3 R4 R5 R6 R7 R8 R9 R10 R11 R12 R13 R14 R15 R16 R17 R18 R19 R20 R22 R23
16	30200169	22K	1/10W 5% MF 0805	R149 R158 R159 R165 R166 R169 R182 R183 R190 R199 R200 R201 R202 R225 R226 R298
9	30200173	4.99K	1/10W 1% MF 0805	R87 R93 R170 R177 R179 R186 R238 R240 R335
1	30200174	10K	1/10W 1% MF 0805	R307
10	30200175	1.1K	1/10W 1% MF 0805	R66 R69 R72 R73 R123 R124 R163 R164 R167 R168
4	30200194	100K	1/10W 1% MF 0805	R56 R57 R70 R71
4	30200200	8.25K	1/10W 1% MF 0805	R82 R83 R206 R207
4	30200212	169K	1/10W 1% MF 0805	R74 R78 R103 R248
8	30200214	2.21K	1/4W 1% MF 1206	R89 R90 R91 R95 R125 R126 R129 R130
1	30200243	316	1/10W 1% MF 0805	R329

1	30200250	3.48K	1/10W 1% MF 0805	R295
24	30200256	22.1K	1/10W 1% MF 0805	R112 R113 R114 R119 R120 R121 R122 R127 R128 R131 R132 R139 R184 R185 R191 R192 R193 R194 R195 R196 R197 R198 R203 R204
2	30200266	18.2K	1/10W 1% MF 0805	R80 R81
2	30200267	2.21K	1/10W 1% MF 0805	R174 R175
2	30200276	5.11K	1/10W 1% MF 0805	R1 R2
2	30200284	1.5K	1/10W 1% MF 0603	R161 R162
4	30200288	100K	1/10W 5% MF 0603	R253 R290 R291 R293
2	30200289	10K	1/10W 1% MF 0603	R309 R310
2	30200291	13.7K	1/10W 1% MF 0603	R330 R331
2	30200296	22.1K	1/10W 1% MF 0603	R305 R306
2	30200303	3.9K	1/10W 5% MF 0603	R135 R160
6	30200313	47K	1/10W 5% MF 0603	R107 R108 R109 R110 R115 R116
2	30200314	48.7K	1/10W 1% MF 0603	R333 R334
1	30200324	82K	1/10W 5% MF 0603	R317
2	30200335	68.1K	1/10W 1% MF 0805	R151 R152
2	30200340	150	1/4W 1% MF 1206	R230 R231
1	30200348	10	1/4W 1% MF 1206	R338
1	30200393	56.2K	1/10W 1% MF 0805	R336
1	30200424	0.2	1W 5% MF 2512	R337
8	30200510	15K 1%	1/4W 1206 THIN FILM	R58 R59 R60 R61 R86 R88 R92 R94
2	30200563	62	1/10W 5% MF 0805	R205 R246
8	30241031	30.1K	1/4W 1% MF AXL	R211 R212 R213 R214 R264 R265 R268 R269
51	30300085	0.1UF	50V 20% Z5U 0805	C127 C128 C148 C151



						C153 C155 C157 C158 C159 C160 C161 C162 C165 C166 C167 C168 C169 C170 C171 C172 C173 C174 C175 C176 C177 C178 C179 C180 C181 C182 C183 C184 C185 C186 C187 C188 C189 C190 C191 C192 C193 C194 C195 C196 C197 C198 C199 C200 C210 C211 C238
25	30300087	39PF	50V	5%	NPO 0805	C77 C78 C79 C90 C91 C92 C93 C94 C95 C96 C97 C98 C99 C102 C103 C104 C107 C108 C111 C113 C114 C119 C121 C139 C145
16	30300090	470PF	50V	5%	NPO 0805	C5 C6 C7 C8 C9 C10 C11 C12 C13 C14 C15 C16 C17 C18 C19 C20
1	30300116	0.01UF	50V	5%	X7R 0805	C228
8	30300128	0.1UF	50V	10%	Y5V 0603	C2 C80 C81 C82 C83 C84 C135 C136
2	30300133	100PF	50V	5%	NPO 0603	C138 C140
2	30300148	0.022UF	50V	5%	X7R 0805	C105 C106
10	30300150	22PF	50V	5%	NPO 0805	C86 C89 C100 C101 C142 C207 C208 C209 C233 C234
1	30300161	4700PF	50V	5%	X7R 0805	C237
2	30300170	330PF	100V	5%	NPO 0805	C154 C164
2	30300176	0.068UF	50V	5%	X7R 0805	C122 C126
2	30300210	15PF	50V	5%	COG 0603	C226 C227
2	30300222	470PF	50V	5%	NPO 0603	C229 C230
2	30300234	1800PF	50V	5%	NPO 0805	C235 C236
14	30320144	10UF	35V	20%	EL RADH	C212 C213 C214 C215 C216 C217 C218 C219 C220 C221 C222 C223 C224 C225

2	30320184	2.2UF 50V 20% ELN RAD	C133 C134
1	30320261	1UF 50V 20% EL RAD	C201
2	30320324	470UF 25V 20% ELS RAD	C231 C232
1	30320625	100UF 25V 20% EL RAD	C1
1	30320626	47UF 25V 20% EL RAD	C202
4	30330115	0.033UF 50V 5% PE RAD	C156 C163 C204 C206
4	30330124	0.068UF 50V 5% PE RAD	C54 C76 C87 C88
6	30330127	1800PF 50V 5% PE RAD	C3 C4 C118 C120 C149 C150
2	30330129	0.1UF 50V 5% PE RAD	C112 C147
2	30330130	3300PF 50V 5% PE RAD	C137 C143
2	30330133	0.12UF 50V 5% PE RAD	C53 C85
1	30400969	1N969B 22V 5% ZENER	D49
1	30405819	1N5819 SCHOTTKY 1A, 40V	D2
1	30418034	2SC2412S NPN SMT	Q16
6	30418051	MMBTA13LTI NPN DARL. SMT	Q1 Q2 Q3 Q4 Q5 Q6
2	30418110	LM339 QUAD COMPARATOR SMT	U23 U24
2	30418158	4580 DUAL LN OPAMP SO8	U26 U27
4	30418198	J108 JFET N SOT23	Q17 Q18 Q19 Q20
1	30418303	LM317EMP 3-T ADJ REG -SMT	U28
44	30418328	1N4148W SWITCHING DIODE	D3 D4 D5 D6 D7 D8 D9 D10 D11 D12 D13 D14 D15 D16 D17 D18 D19 D20 D21 D22 D23 D24 D25 D26 D27 D28 D29 D30 D31 D32 D33 D34 D35 D36 D37 D38 D39 D40 D41 D42 D43 D44 D67 D68

21	30418506	4565 DUAL OPAMP SOIC8W	U1 U2 U3 U4 U5 U6 U7 U8 U9 U10 U11 U12 U13 U14 U15 U16 U17 U18 U19 U20 U21
1	30418518	MMBT2222A NPN SOT23	Q7
1	30418587	PCM2901E ST CODEC W/USB SMT	U25
1	30418593	TC7SZ08F SINGLE AND SOT23-5	U29
1	30418742	NCP3063 DC/DC CONV CTRL IC SMT	U22
1	30421332	2SB1241, PNP, 1A, 80V RAD	Q21
4	30450050	RED T1 LED W/.500" SPCR	D59 D60 D61 D62
2	30450051	GRN T1 LED W/.500" SPCR	D65 D66
2	30450837	RED RECT LED W/0.390" SPACER	D63 D64
4	30450838	GRN RECT LED W/0.390" SPACER	D45 D46 D47 D48
2	30450839	YEL RECT LED W/0.390" SPACER	D57 D58
8	30460786	2SD786S NPN TRANS RAD	Q8 Q9 Q10 Q11 Q12 Q13 Q14 Q15
1	30519978	220UH IND 0.8A SHIELDED SMT	L3
2	30519986	10 UH OUTPUT CHOKE	L1 L2
1	30800045	CRYSTAL 12MHZ SMT	Y1
2	31190257	10KB 9MM VPC W/DTT	VR23 VR25
10	31190259	50KB SNGL 9MM DET VER	VR1 VR2 VR3 VR4 VR5 VR6 VR7 VR8 VR9 VR10
4	31190261	25KSP SNGL 9MM VER	VR22 VR24 VR27 VR29
4	31190710	10KA/C DUAL 12MM DET VER	VR26 VR28 VR30 VR31
8	31190716	50KB DUAL 12MM DET VER	VR12 VR14 VR15 VR16 VR17 VR18 VR19 VR20
1	31191064	10K_ DUAL 60MM VER	VR11

5	31322356	SWITCH DPDT 2.8MM SHFT V	S1 S2 S3 S4 S5
1	31466216	STEREO HID JACK INSU W/SP	J7
13	31466217	STEREO HID JACK NINS W/SPD	J1 J2 J3 J4 J5 J6 J8 J9 J12 J13 J14 J15 J16
4	31466325	FXLR NC3FAV A-SER VERT	J17 J18 J19 J20
1	33715222	USB B HOR	P5
8	70320182	47UF 50V 20% EL RAD	C110 C115 C116 C117 C124 C125 C129 C130
4	70320343	1000UF 6.3V 20% EL RAD	C131 C132 C203 C205
59	70320344	47UF 35V 20% EL RAD	C21 C22 C23 C24 C25 C26 C27 C28 C29 C30 C31 C32 C33 C34 C35 C36 C37 C38 C39 C40 C41 C42 C43 C44 C45 C46 C47 C48 C49 C50 C51 C52 C55 C56 C57 C58 C59 C60 C61 C62 C63 C64 C65 C66 C67 C68 C69 C70 C71 C72 C73 C74 C75 C109 C123 C141 C144 C146 C152
1	70418026	1N4148 (LL34) DIODE SMT	D1
2	70600053	12C .100 STRP STRP 4" JMP	P1 P2
1	71322289	SWITCH DPDT PP 3.3MM PC H	S6
1	71466267	DC POWER JACK W/O EARS	J11
1	71466468	RCA QUAD ROW HORZ PC	J10
8	JUMPER	????????????????????????????????????	JMP1 JMP5 JMP6 JMP7 JMP8 JMP13 JMP14 JMP15
8	K702002	22 1/10W 5% MF 0805	R187 R188 R189 R242 R243 R247 R303 R304

6	K702004	8.2K	1/10W 5% MF 0805	R208 R209 R210 R254 R256 R257
8	K702005	3.3K	1/4W 5% MF 1206	R219 R233 R292 R294 R296 R297 R300 R301
1	K702006	22K	1/10W 5% MF 0805	R150
8	K702007	3.3K	1/10W 5% MF 0805	R96 R97 R98 R138 R140 R141 R145 R146
6	K702008	150K	1/10W 5% MF 0805	R101 R111 R176 R178 R180 R181
13	K702009	100	1/10W 5% MF 0805	R215 R216 R217 R218 R272 R273 R276 R277 R280 R281 R282 R283 R302
8	K702011	33K	1/10W 5% MF 0805	R55 R68 R75 R79 R172 R245 R327 R328
5	K702012	47	1/10W 5% MF 0805	R137 R311 R312 R313 R314
1	K702013	68	1/10W 5% MF 0805	R102
1	K702014	68K	1/10W 5% MF 0805	R321
2	K702018	4.7	1/10W 5% MF 0805	R266 R270
1	K702025	243 OHM	1/10W 5% MF 0805	R320
1	K702026	392 OHM	1/10W 5% MF 0805	R308
2	K702028	56.2K OHM	1/10W 1% MF 0805	R318 R319

-----  
 END OF BILL OF MATERIAL REPORT  
 -----