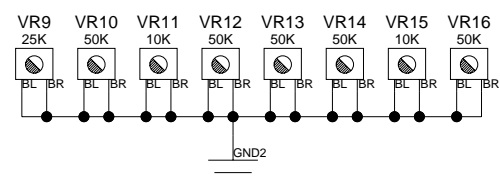
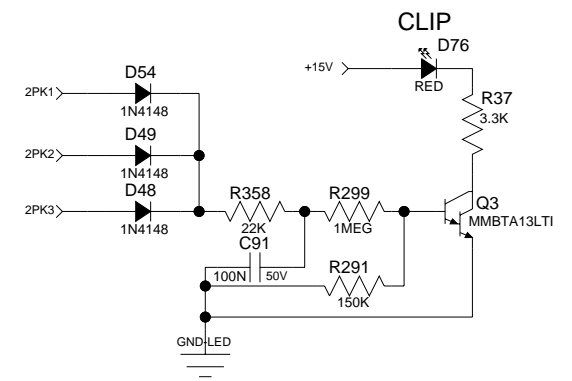
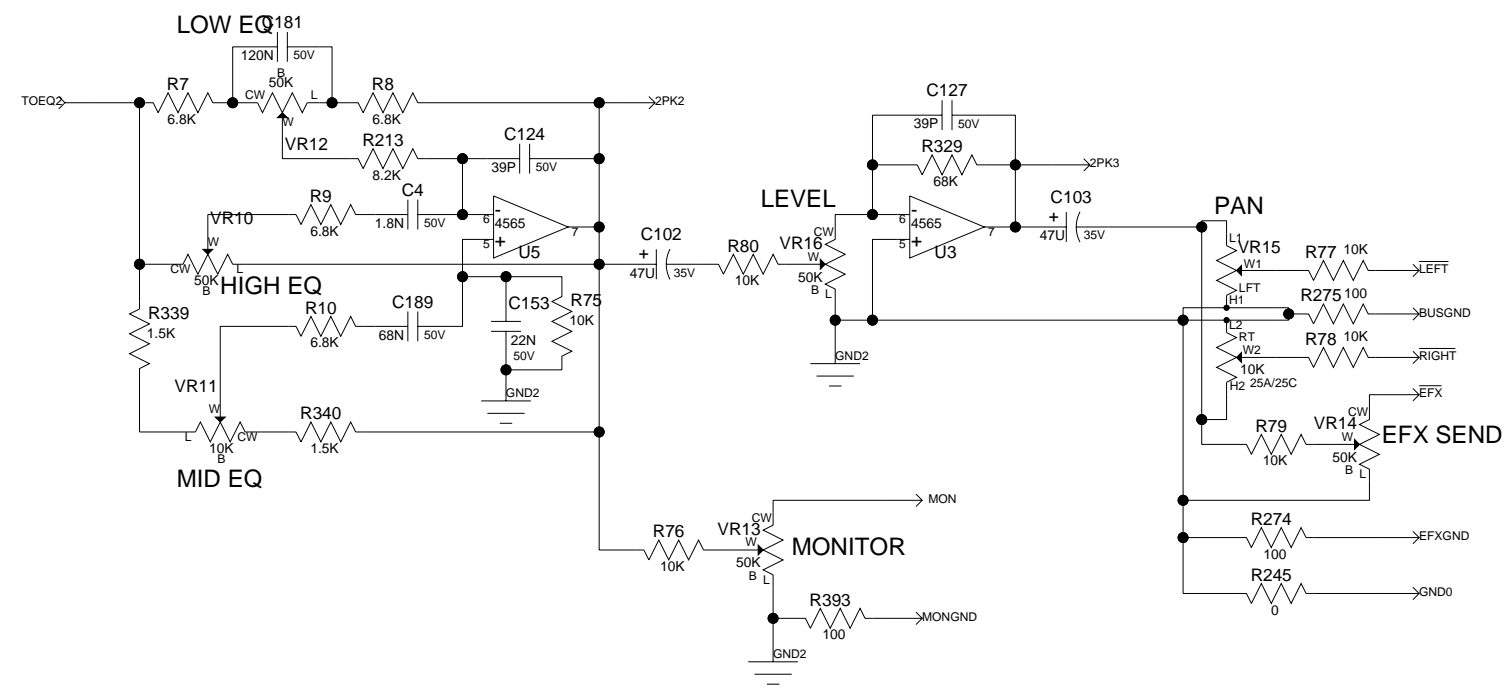
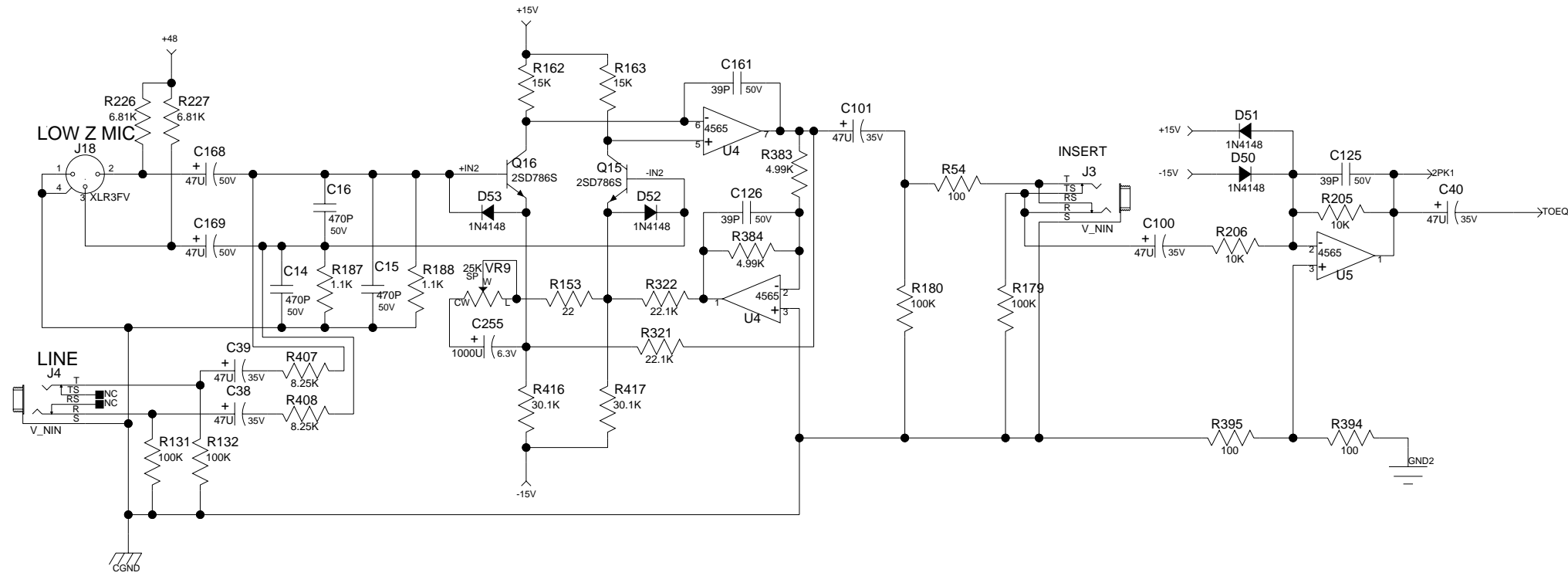


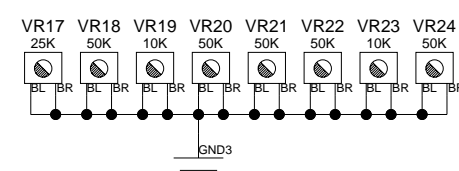
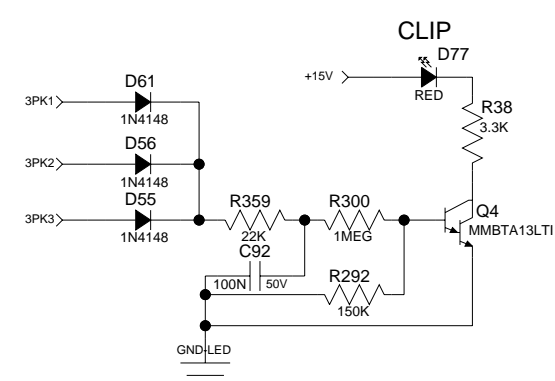
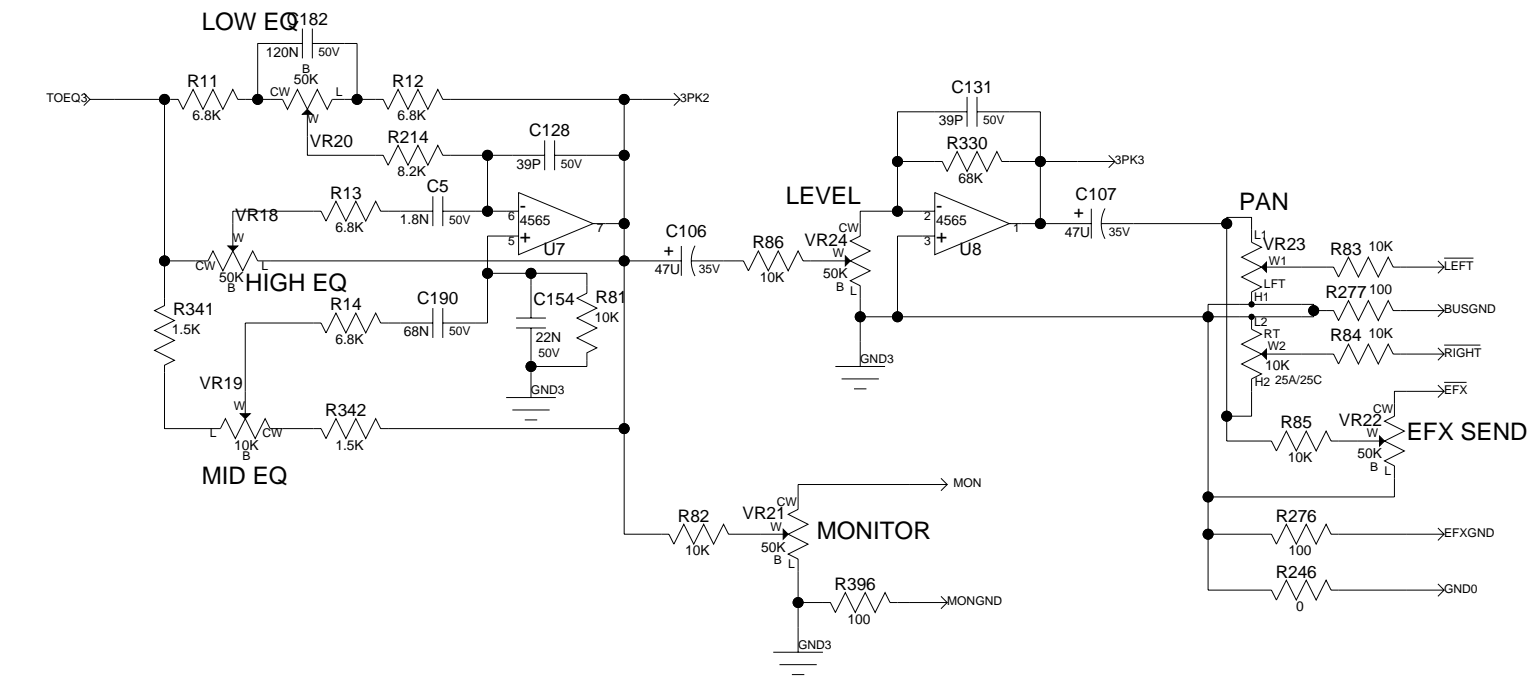
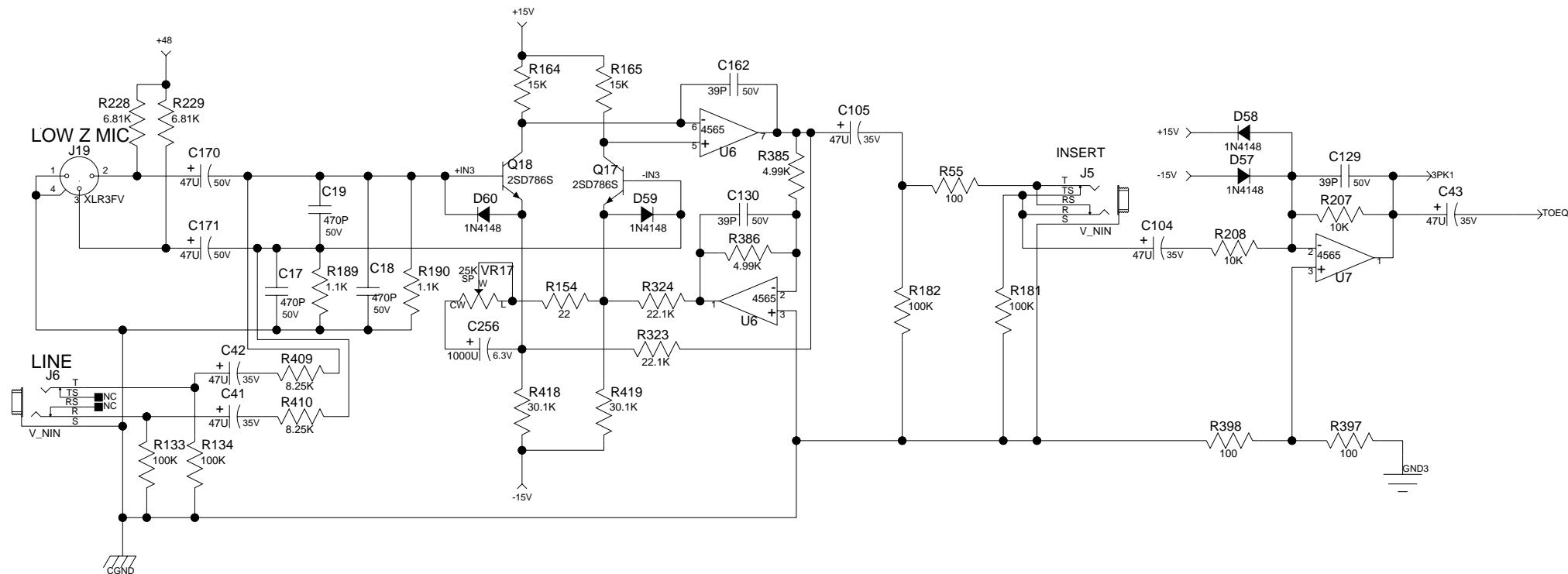
**PEAVEY**  
Peavey Electronics Corp.  
P. O. Box 2898  
Meridian, MS 39301

Title: **PV8**  
Sheet Title: **CHANNEL 1**

C Sheet 2 of 12 Date: 1-11-2005\_13:10



Title: PV8  
 Sheet Title: CHANNEL 2  
 C Sheet 3 of 12 Date: 1-11-2005\_13:10

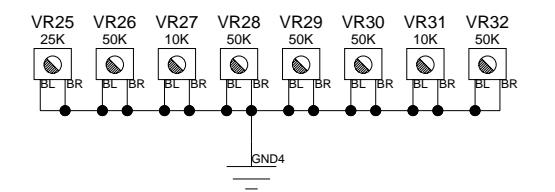
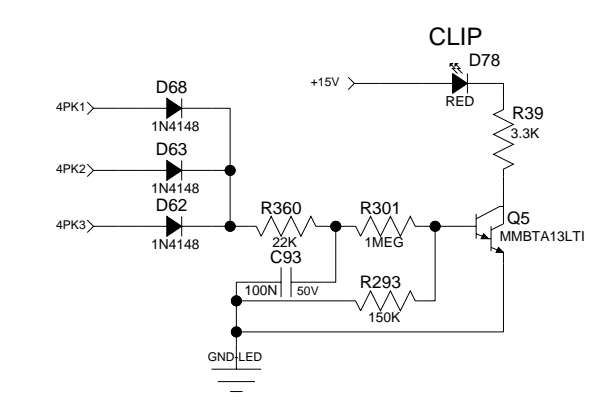
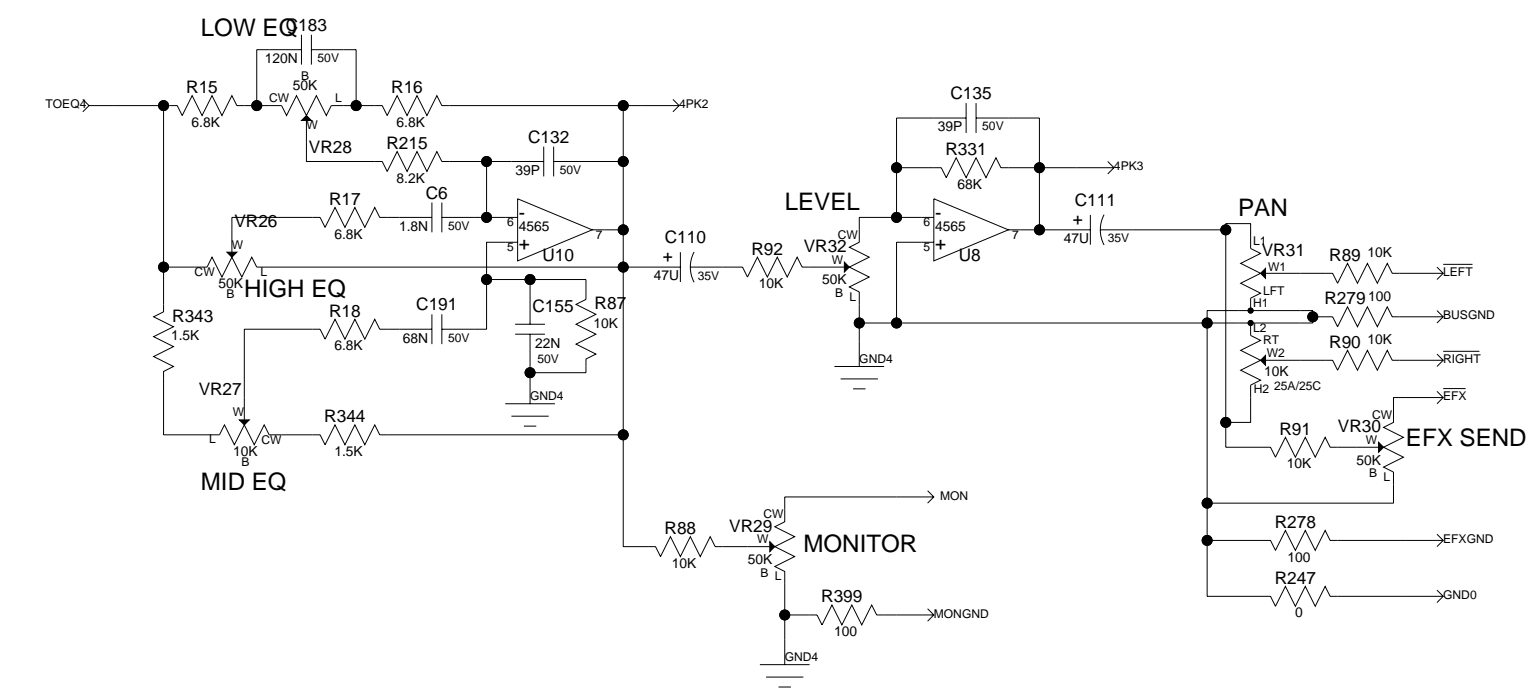
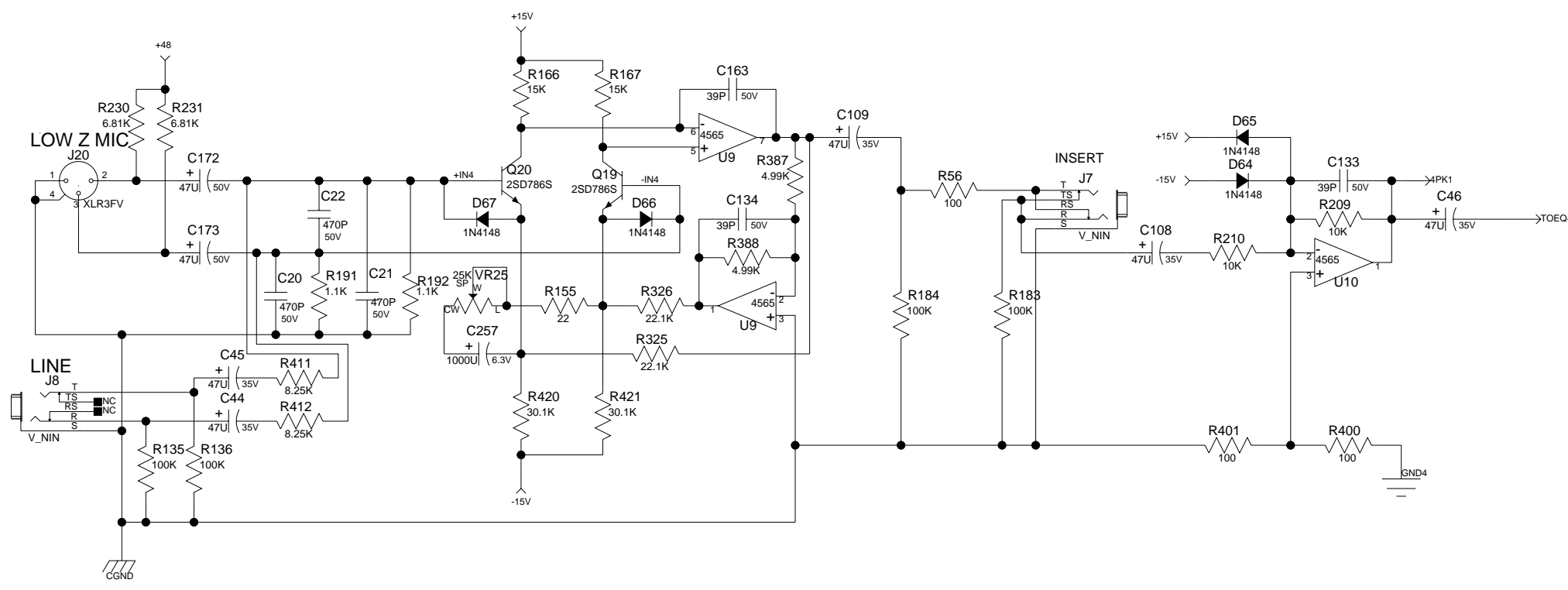


**PEAVEY**  
Peavey Electronics Corp.  
P. O. Box 2898  
Meridian, MS 39301

Title: **PV8 CHANNEL 3**

Sheet Title: **CHANNEL 3**

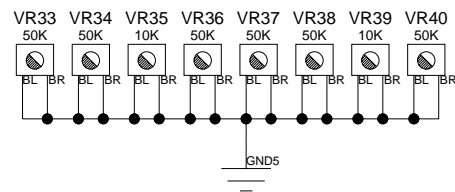
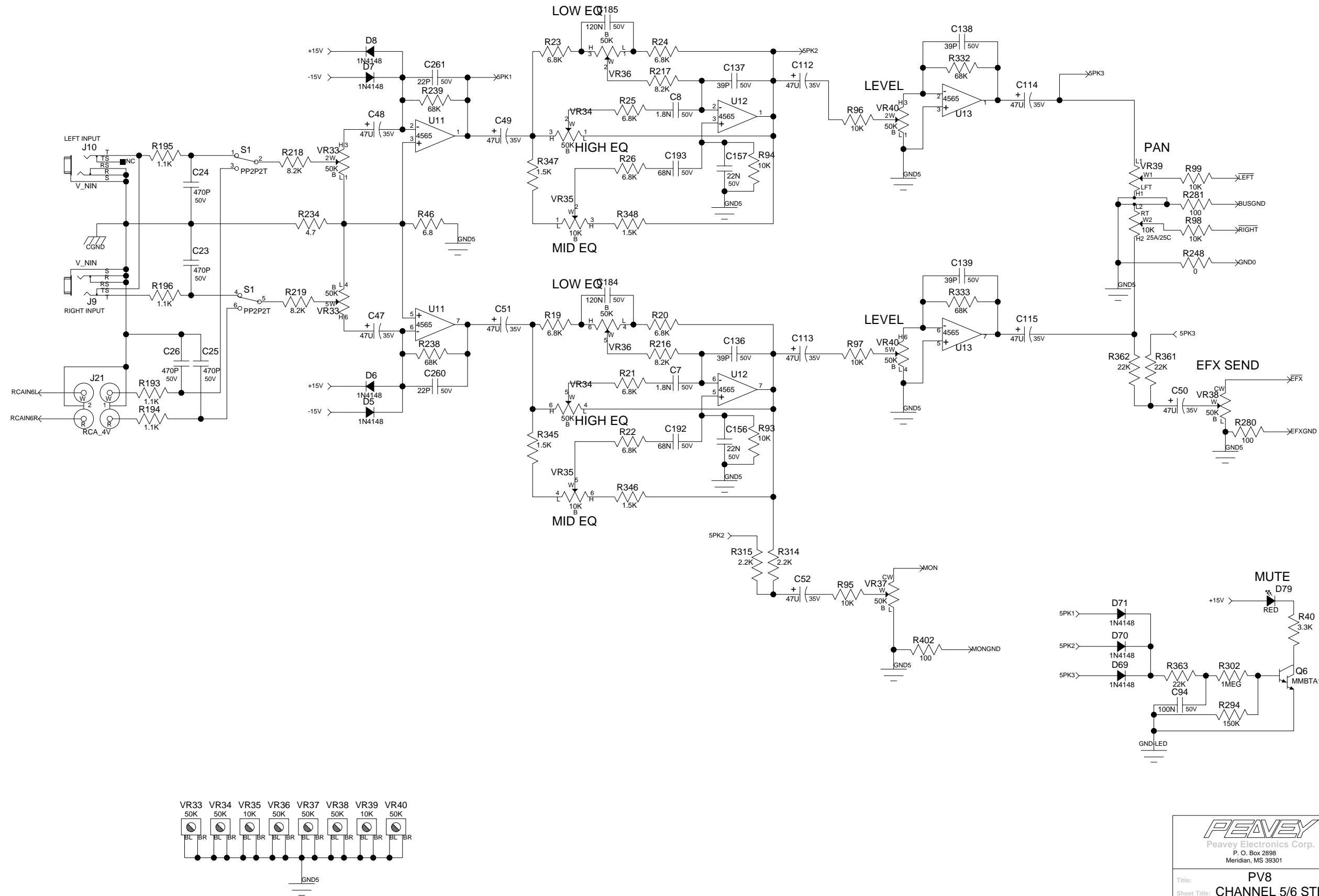
C Sheet 4 of 12 Date: 1-11-2005\_13:10



**PEAVEY**  
Peavey Electronics Corp.  
P. O. Box 2898  
Meridian, MS 39301

Title: **PV8**  
Sheet Title: **CHANNEL 4**

C Sheet 5 of 12 Date: 1-11-2005\_13:10



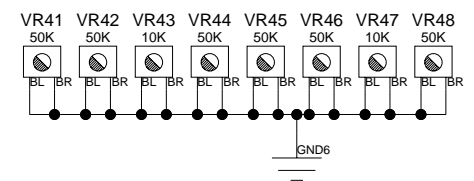
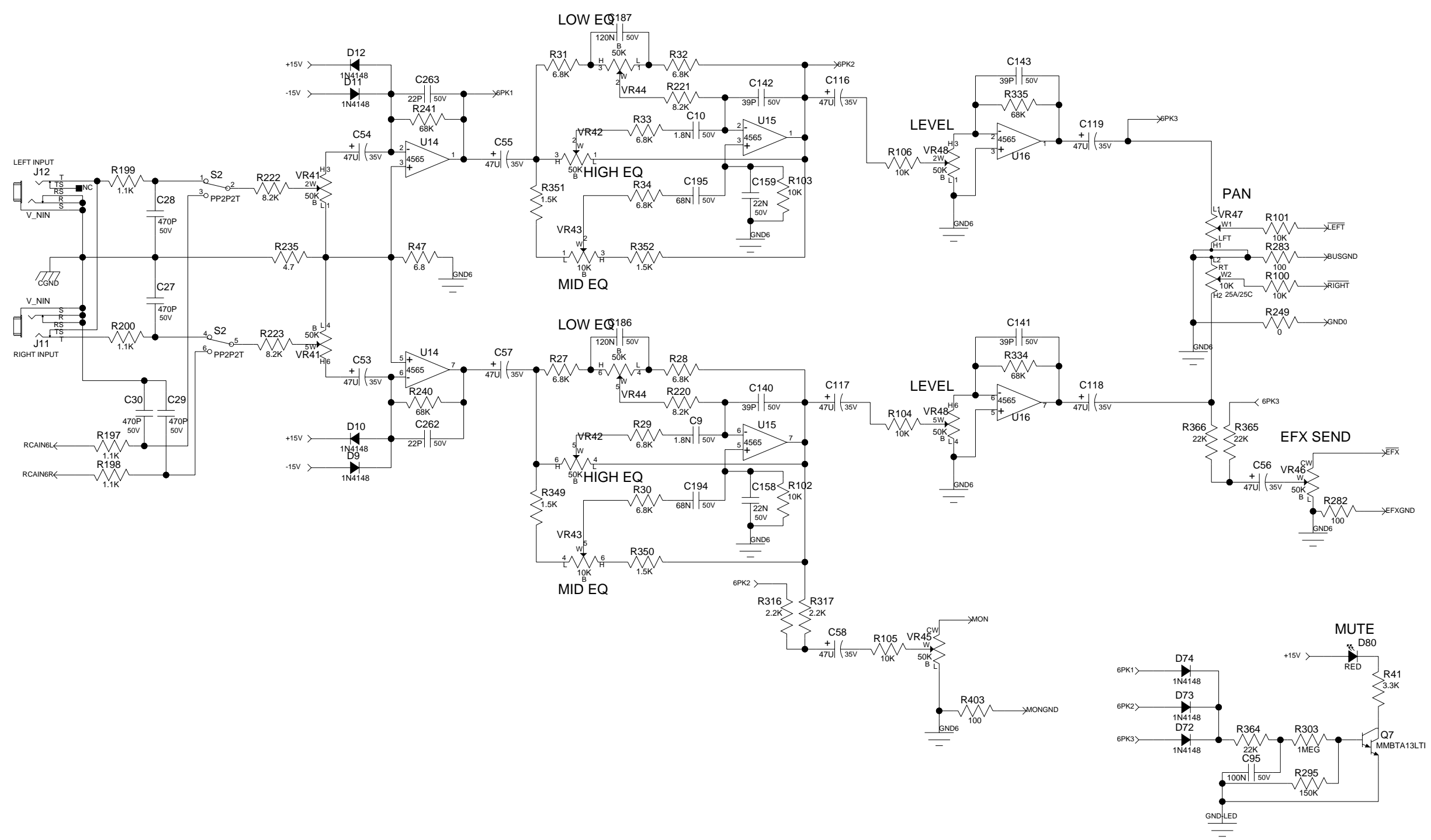
Title: PV8  
 Sheet Title: CHANNEL 5/6 STEREO

A

B

A

B

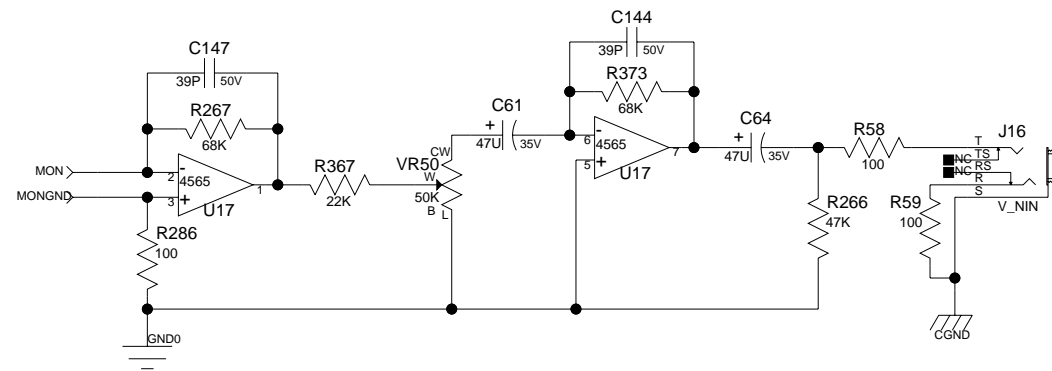


**PEAVEY**  
Peavey Electronics Corp.  
P. O. Box 2898  
Meridian, MS 39301

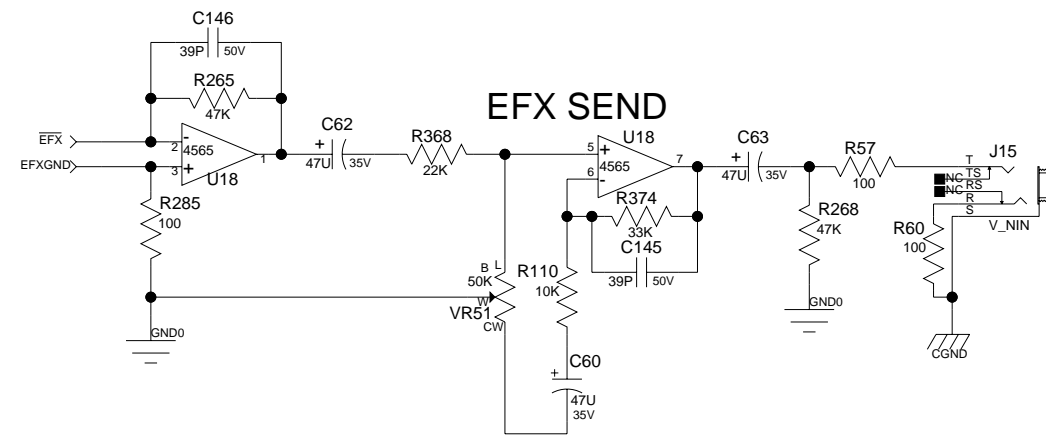
Title: **PV8**  
Sheet Title: **CHANNEL 7/8 STEREO**

C Sheet 7 of 12 Date: 5-12-2004\_11:06

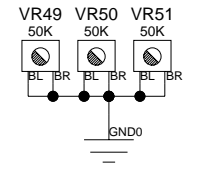
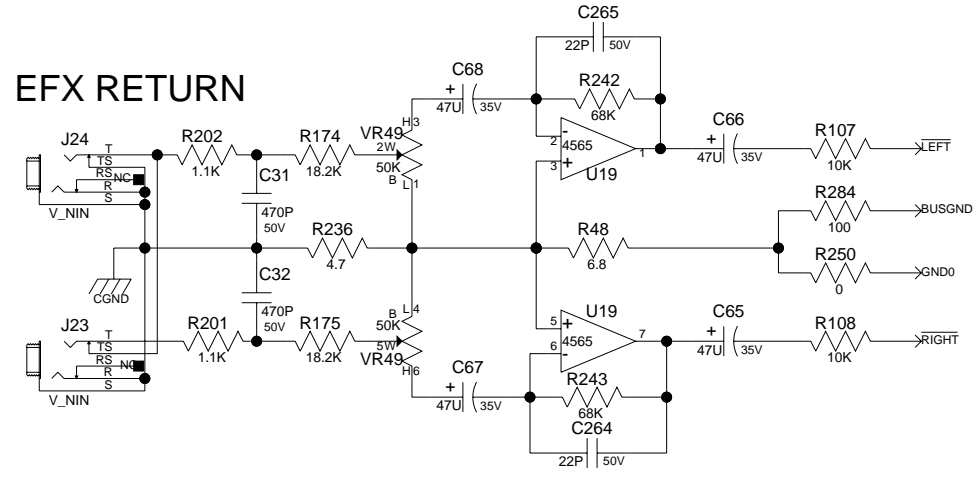
### MONITOR SEND



### EFX SEND



### EFX RETURN

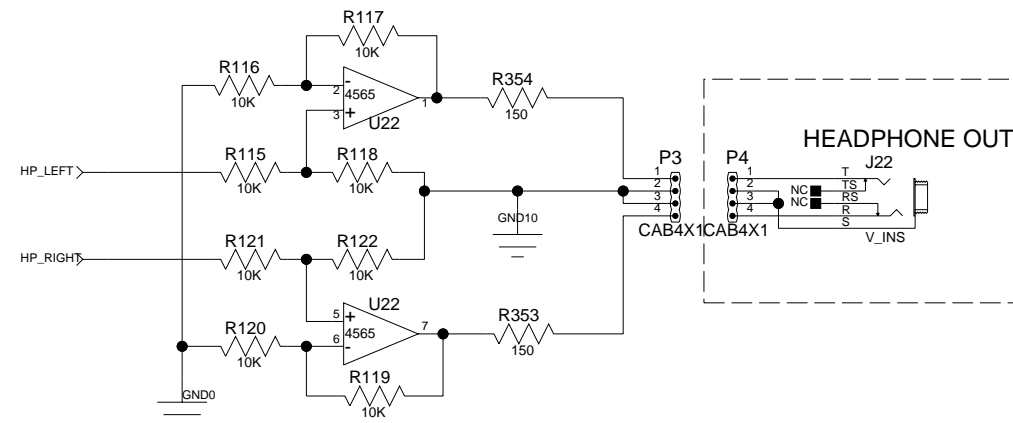
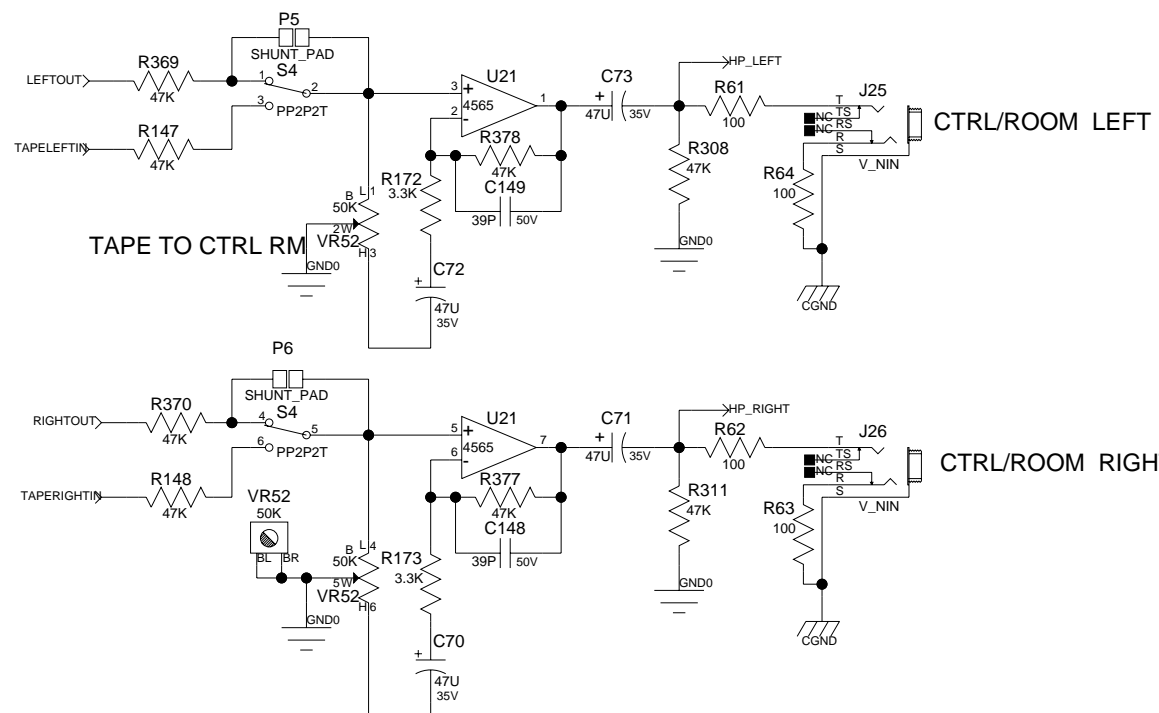
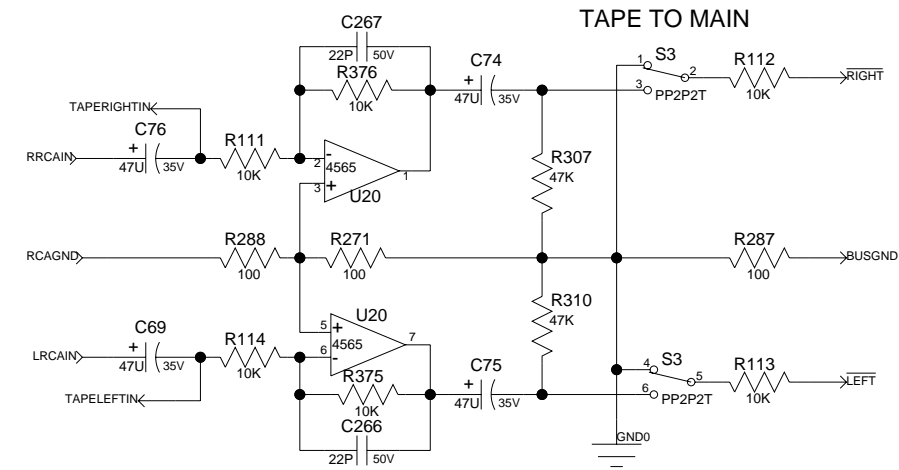
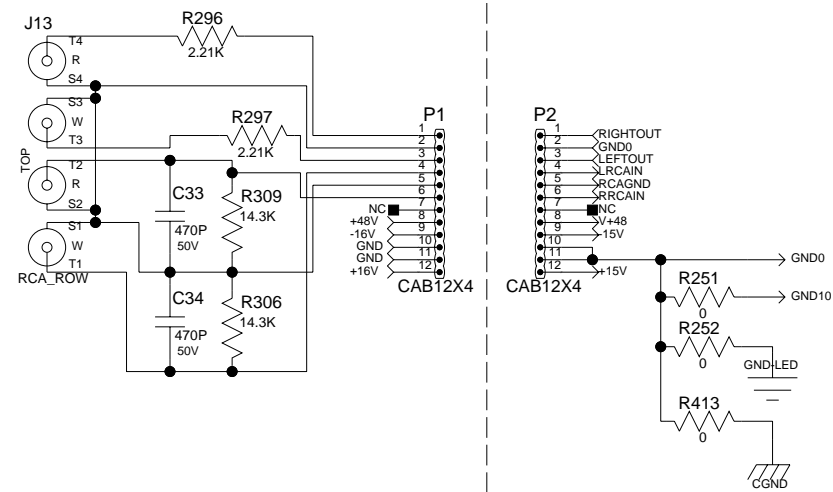


**PEAVEY**  
Peavey Electronics Corp.  
P. O. Box 2898  
Meridian, MS 39301

Title: **PV8**  
Sheet Title: **MONITOR/EFX**

C Sheet 8 of 12 Date: 6-9-2004\_11:06

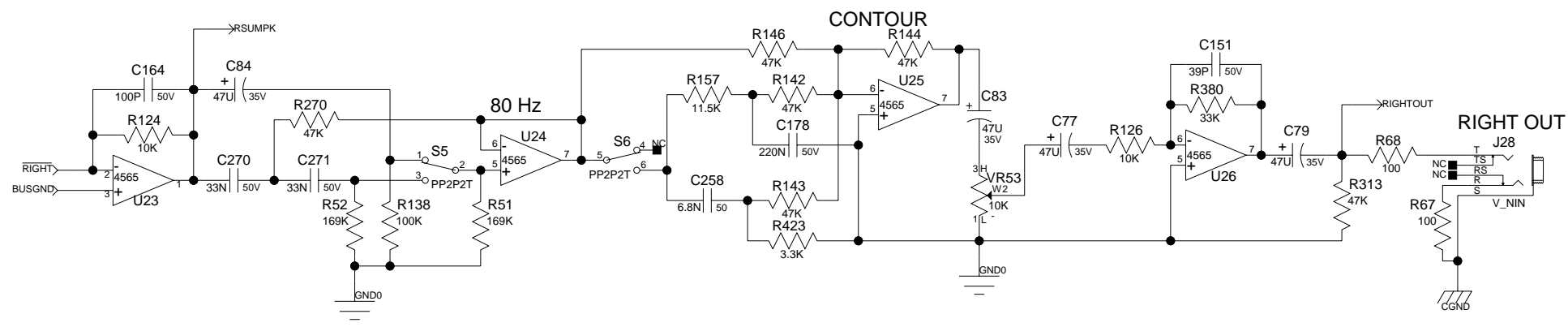
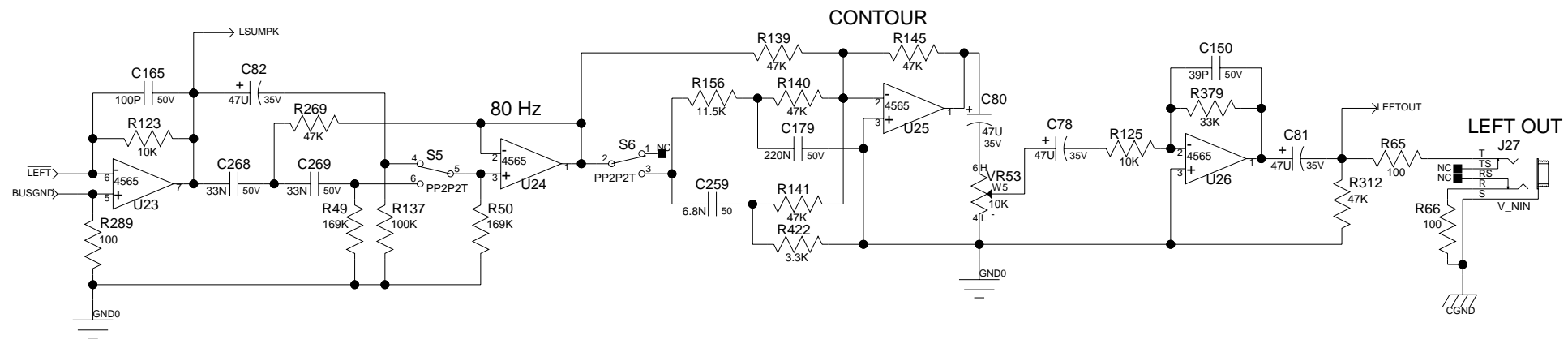


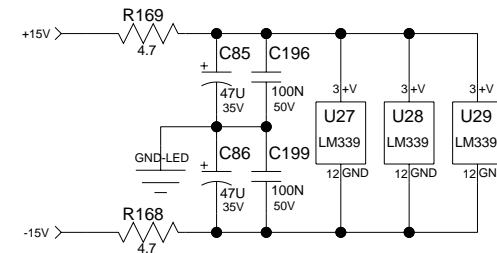
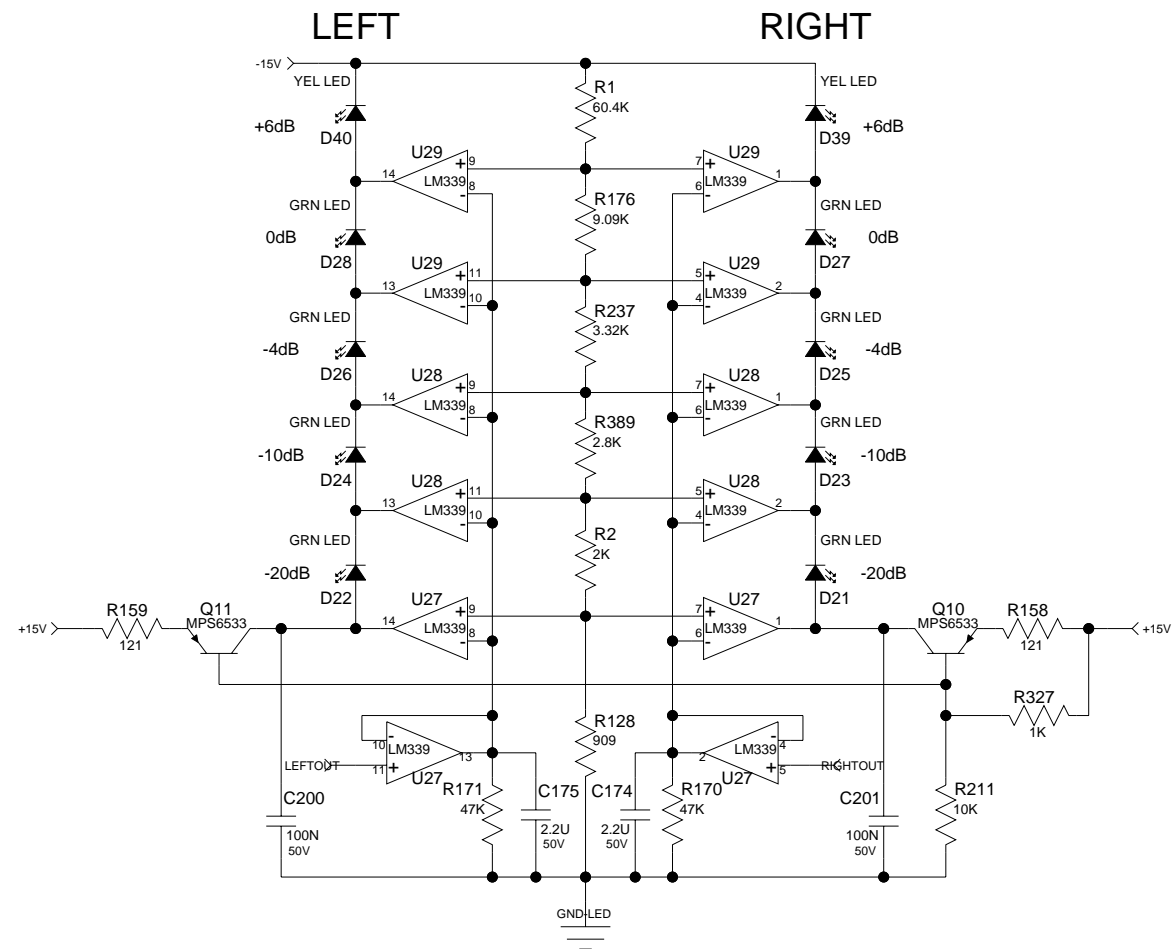
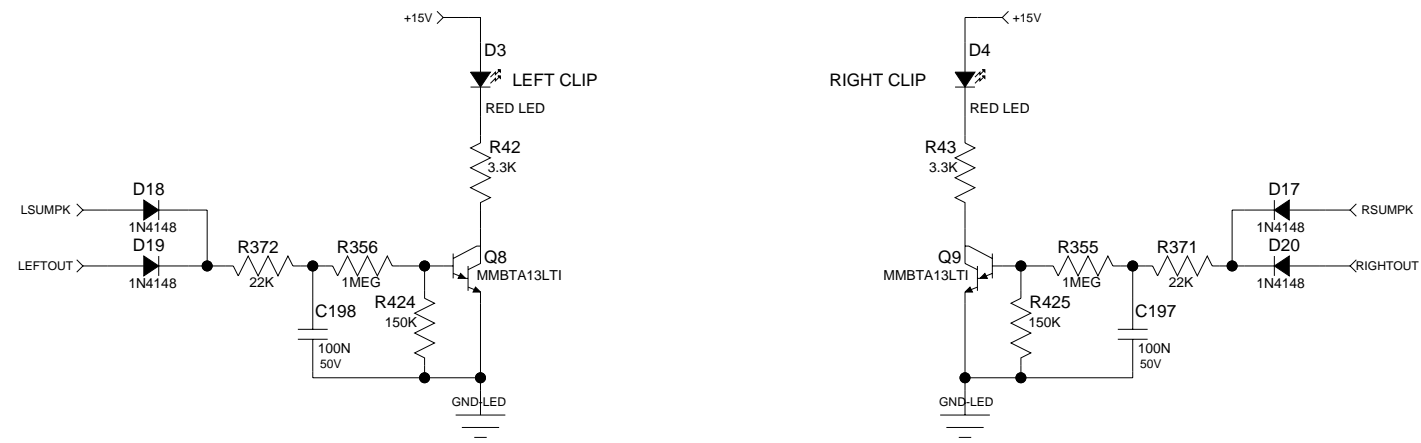


**PEAVEY**  
Peavey Electronics Corp.  
P. O. Box 2898  
Meridian, MS 39301

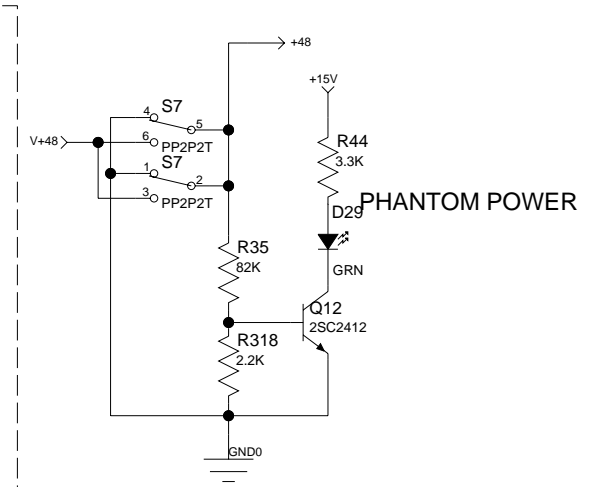
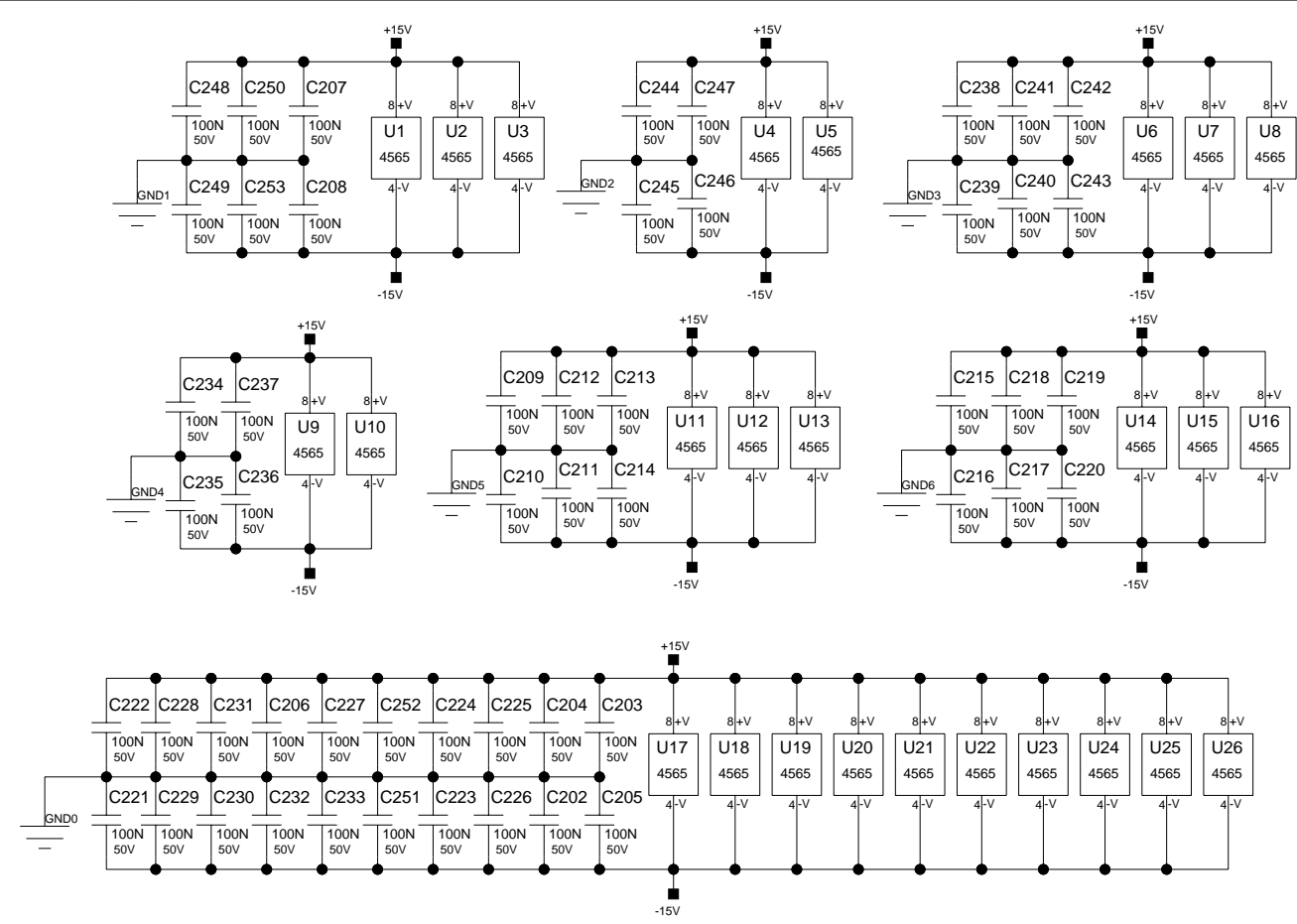
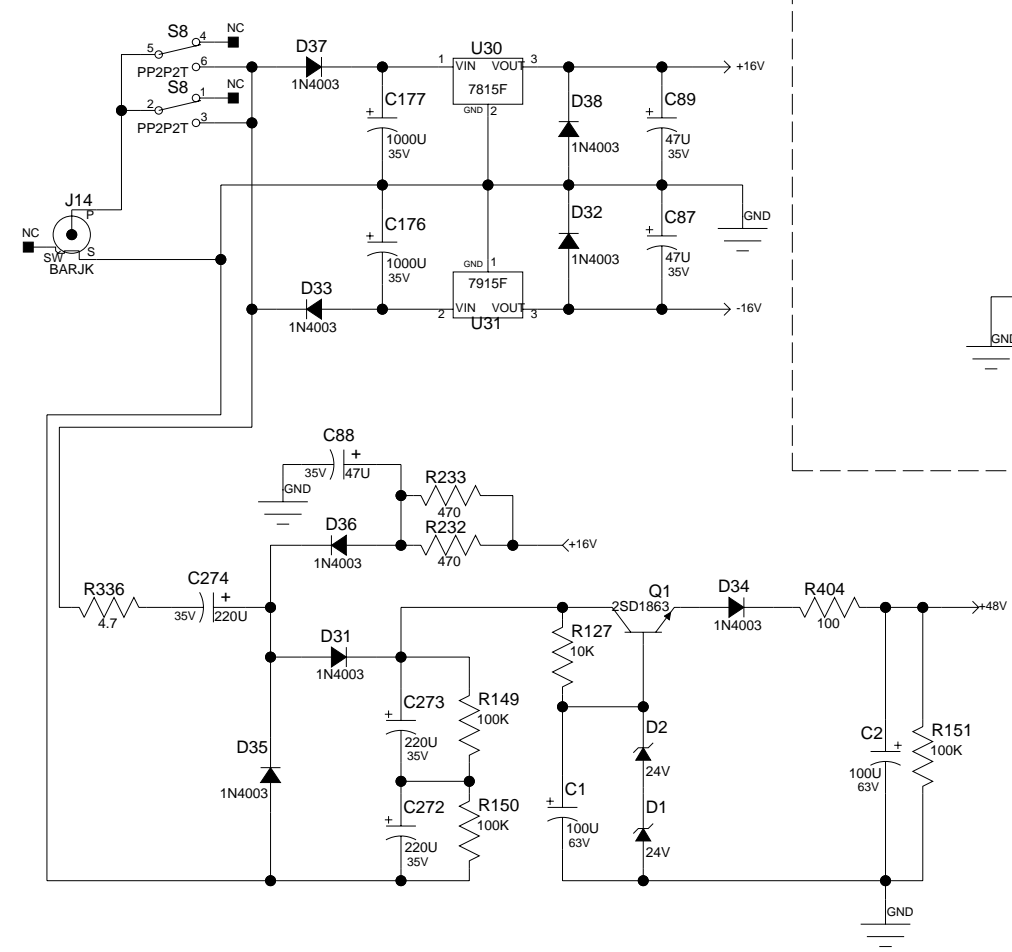
Title: **PV8**  
Sheet Title: **TAPE-HEADPHONE/CTRL ROOM**

C Sheet 9 of 12 Date: 6-24-2005\_8:46





Title: PV8 LED ARRAY  
Sheet Title: PV8 LED ARRAY

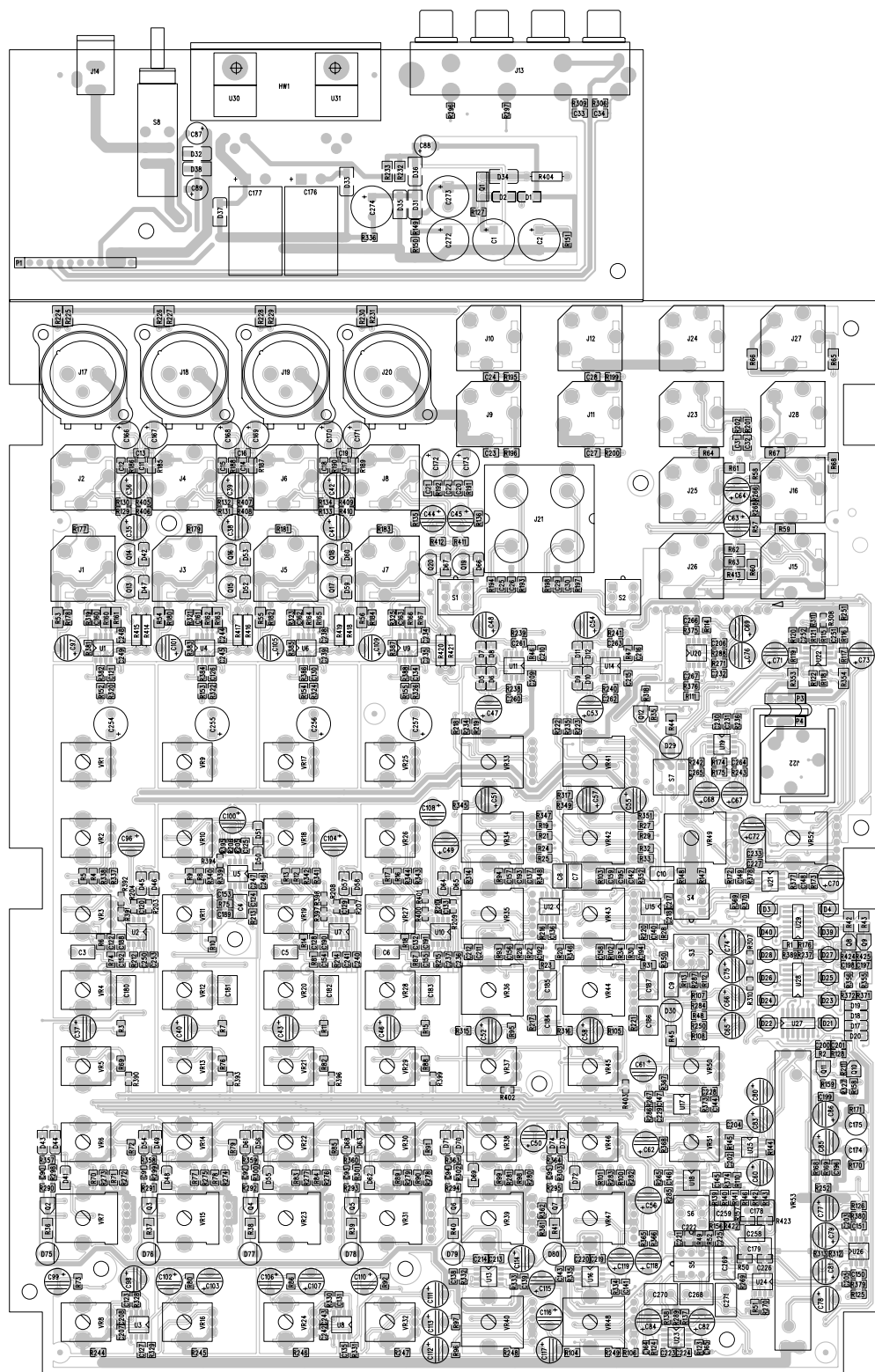


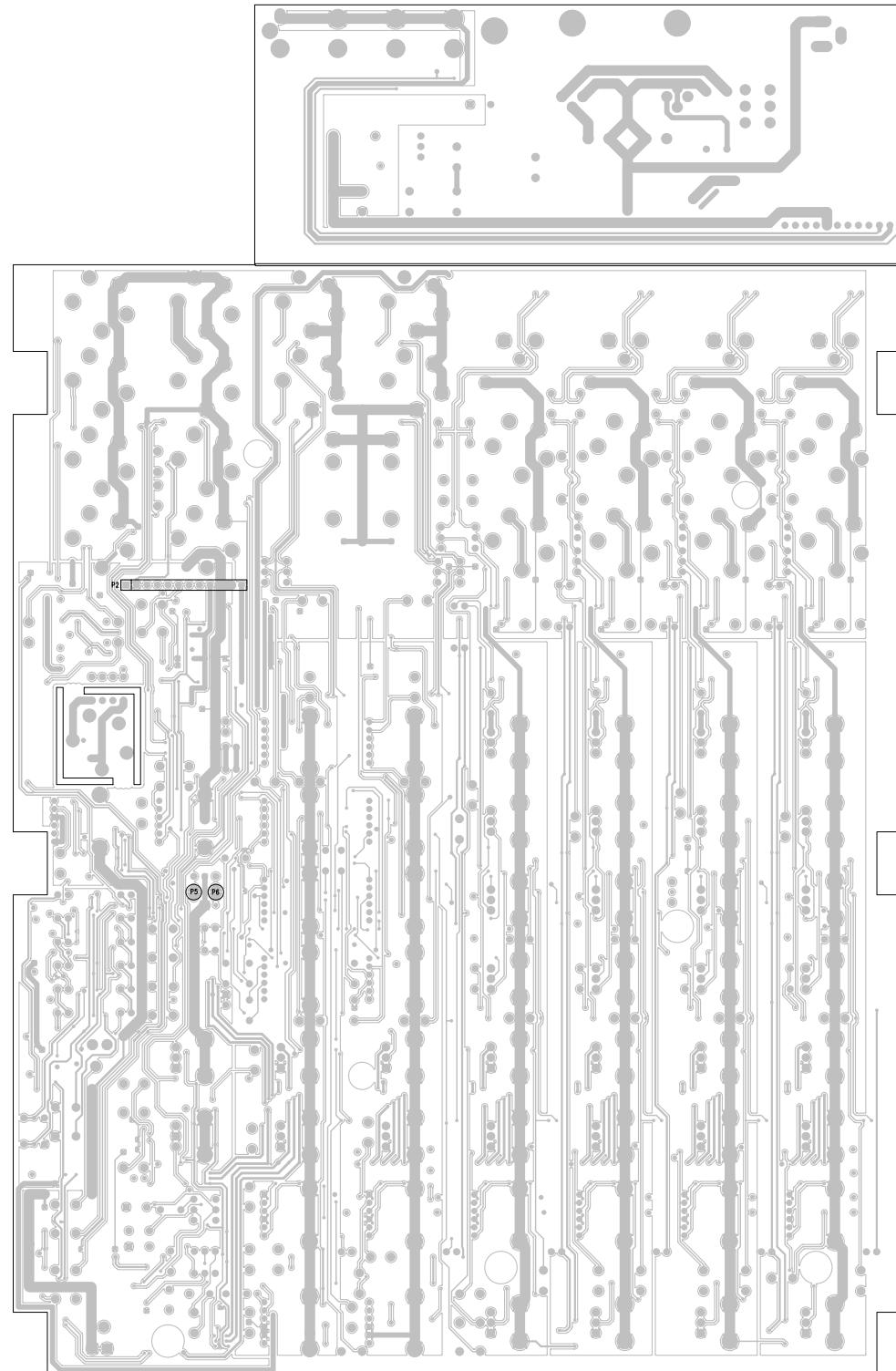
HW1  
HS2-220RA

**PEAVEY**  
Peavey Electronics Corp.  
P. O. Box 2898  
Meridian, MS 39301

Title: **PV8**  
Sheet Title: **POWER SUPPLY**

C Sheet 12 of 12 Date: 4-9-2004\_16:54





BILL OF MATERIAL REPORT

-----

REPORT DATE/TIME: 7/29/2005 4:03:26 PM

BOARD NAME: PV8 MAIN ASSEMBLY LEVEL NUMBER: 99060682

PROJECT NUMBER: P0300161 DESIGNER: EC

Qty.	Part #	Description	Reference Designators
60	602-70200168-1	RES SMD 0805 1/10W 5% 10K	R69 R70 R71 R72 R73 R74 R75 R76 R77 R78 R79 R80 R81 R82 R83 R84 R85 R86 R87 R88 R89 R90 R91 R92 R93 R94 R95 R96 R97 R98 R99 R100 R101 R102 R103 R104 R105 R106 R107 R108 R110 R111 R112 R113 R114 R115 R116 R117 R118 R119 R120 R121 R122 R123 R124 R125 R126 R127 R375 R376
21	602-70200170-1	RES SMD 0805 1/10W 5% 47K	R139 R140 R141 R142 R143 R144 R145 R146 R147 R148 R170 R171 R265 R266 R268 R269 R270 R369 R370 R377 R378
8	602-70200177-1	RES SMD 0805 1/10W 5% 1M	R298 R299 R300 R301 R302 R303 R355 R356
21	602-70200178-1	RES SMD 0805 1/10W 5% 100K	R129 R130 R131 R132 R133 R134 R135 R136 R137 R138 R149 R150 R151 R177 R178 R179 R180 R181 R182 R183 R184
2	602-70200206-1	RES SMD 0805 1/8W 1% 14.3K	R306 R309
2	602-K11401152-1	RES SMD 0805 1/8W 1% 11.5K T&R (KW000067)	R156 R157
1	602-K11406042-1	RES SMD 0805 1/8W 1% 60.4K T&R (KW000052)	R1
16	602-K11421501-1	RES SMD 0805 1/8W 5% 1.5K T&R (KW000016)	R337 R338

						R341 R342 R343 R344 R345 R346 R347 R348 R349 R350 R351 R352 R339 R340
5	602-K11422201-1		RES SMD 0805 1/8W 5% 2.2K T&R	(KW000004)	R314 R315 R318 R316 R317	
1	70200010	0.0	1/4W 5% MF 1206		R413	
2	70200046	470	1/4W 5% MF 1206		R232 R233	
16	70200060	100	1/4W 1% MF 1206		R53 R54 R55 R56 R57 R58 R59 R60 R61 R62 R63 R64 R65 R66 R67 R68	
8	70200084	6.81K	1/4W 1% MF 1206		R224 R225 R226 R227 R228 R229 R230 R231	
8	70200160	15K	1/4W 1% MF 1206		R160 R161 R162 R163 R164 R165 R166 R167	
9	70200164	0.0	JUMPER SMT 0805		R244 R245 R246 R247 R248 R249 R250 R251 R252	
32	70200166	6.8K	1/10W 5% MF 0805		R3 R4 R5 R6 R7 R8 R9 R10 R11 R12 R13 R14 R15 R16 R17 R18 R19 R20 R21 R22 R23 R24 R25 R26 R27 R28 R29 R30 R31 R32 R33 R34	
14	70200169	22K	1/10W 5% MF 0805		R357 R358 R359 R360 R361 R362 R363 R364 R365 R366 R367 R368 R371 R372	
8	70200173	4.99K	1/10W 1% MF 0805		R381 R382 R383 R384 R385 R386 R387 R388	
18	70200175	1.1K	1/10W 1% MF 0805		R185 R186 R187 R188 R189 R190 R191 R192 R193 R194 R195 R196 R197 R198 R199 R200 R201 R202	
1	70200192	2.80K	1/10W 1% MF 0805		R389	



2	70200197	121	1/10W 1% MF 0805	R158 R159
8	70200200	8.25K	1/10W 1% MF 0805	R405 R406 R407 R408 R409 R410 R411 R412
1	70200202	3.32K	1/10W 1% MF 0805	R237
1	70200204	2.00K	1/10W 1% MF 0805	R2
1	70200209	9.09K	1/10W 1% MF 0805	R176
4	70200212	169K	1/10W 1% MF 0805	R49 R50 R51 R52
3	70200241	4.70	1/10W 1% MF 0805	R234 R235 R336
8	70200256	22.1K	1/10W 1% MF 0805	R319 R320 R321 R322 R323 R324 R325 R326
2	70200266	18.2K	1/10W 1% MF 0805	R174 R175
2	70200267	2.21K	1/10W 1% MF 0805	R296 R297
14	70200287	100	1/10W 1% MF 0603	R390 R391 R392 R393 R394 R395 R396 R397 R398 R399 R400 R401 R402 R403
9	70200289	10K	1/10W 1% MF 0603	R203 R204 R205 R206 R207 R208 R209 R210 R211
1	70200294	1K	1/10W 1% MF 0603	R327
6	70200313	47K	1/10W 5% MF 0603	R307 R308 R310 R311 R312 R313
2	70200340	150	1/4W 1% MF 1206	R353 R354
1	70200383	909	1/10W 1% MF 0805	R128
1	70240096	100	1/4W 5% FP AXL	R404
8	70241031	30.1K	1/4W 1% MF AXL	R414 R415 R416 R417 R418 R419 R420 R421
58	70300085	0.1UF	50V 80-20% Z5U 0805	C196 C197 C198 C199 C200 C201 C202 C203 C204 C205 C206 C207 C208 C209 C210 C211 C212 C213 C214 C215 C216 C217 C218 C219 C220 C221 C222 C223 C224 C225 C226 C227

						C228 C229 C230 C231
						C232 C233 C234 C235
						C236 C237 C238 C239
						C240 C241 C242 C243
						C244 C245 C246 C247
						C248 C249 C250 C251
						C252 C253
36	70300087	39PF	50V	5%	NPO 0805	C120 C121 C122 C123
						C124 C125 C126 C127
						C128 C129 C130 C131
						C132 C133 C134 C135
						C136 C137 C138 C139
						C140 C141 C142 C143
						C144 C145 C146 C147
						C148 C149 C150 C151
						C160 C161 C162 C163
24	70300090	470PF	50V	5%	NPO 0805	C11 C12 C13 C14
						C15 C16 C17 C18
						C19 C20 C21 C22
						C23 C24 C25 C26
						C27 C28 C29 C30
						C31 C32 C33 C34
6	70300128	0.1UF	50V	10%	X7R 0603	C90 C91 C92 C93
						C94 C95
2	70300133	100PF	50V	5%	NPO 0603	C164 C165
8	70300148	0.022UF	50V	5%	X7R 0805	C152 C153 C154 C155
						C156 C157 C158 C159
8	70300150	22PF	50V	5%	NPO 0805	C260 C261 C262 C263
						C264 C265 C266 C267
8	70300176	0.068UF	50V	5%	X7R 0805	C188 C189 C190 C191
						C192 C193 C194 C195
8	70320182	47UF	50V	20%	EL RAD	C166 C167 C168 C169
						C170 C171 C172 C173
2	70320184	2.2UF	50V	20%	ELN RAD	C174 C175
2	70320186	1000UF	35V	20%	EL RAD	C176 C177
2	70320264	100UF	63V	20%	EL RAD	C1 C2
4	70320343	1000UF	6.3V	20%	EL RAD	C254 C255 C256 C257

78	70320344	47UF	35V	20%	EL	RAD	C35 C36 C37 C38 C39 C40 C41 C42 C43 C44 C45 C46 C47 C48 C49 C50 C51 C52 C53 C54 C55 C56 C57 C58 C60 C61 C62 C63 C64 C65 C66 C67 C68 C69 C70 C71 C72 C73 C74 C75 C76 C77 C78 C79 C80 C81 C82 C83 C84 C85 C86 C87 C88 C89 C96 C97 C98 C99 C100 C101 C102 C103 C104 C105 C106 C107 C108 C109 C110 C111 C112 C113 C114 C115 C116 C117 C118 C119
3	70320351	220UF	35V	20%	EL	RAD	C272 C273 C274
4	70330115	0.033UF	50V	5%	PE	RADH	C268 C269 C270 C271
2	70330117	6800PF	50V	5%	PE	RAD	C258 C259
8	70330127	1800PF	50V	5%	PE	RAD	C3 C4 C5 C6 C7 C8 C9 C10
2	70330128	0.22UF	50V	5%	PE	RAD	C178 C179
8	70330133	0.12UF	50V	5%	PE	RAD	C180 C181 C182 C183 C184 C185 C186 C187
1	70400318	7815F	+15V	INS	TO-220F	HOR	U30
1	70400319	7915	-15V	INS	TO-220F	HOR	U31
2	70400979	24V	ZENER	(SOD123)	-SMT		D1 D2
46	70418026	1N4148	(LL34)	DIODE	SMT		D5 D6 D7 D8 D9 D10 D11 D12 D17 D18 D19 D20 D41 D42 D43 D44 D45 D46 D47 D48 D49 D50 D51 D52 D53 D54 D55 D56 D57 D58 D59 D60 D61 D62 D63 D64 D65 D66 D67 D68 D69 D70 D71 D72 D73 D74

2	70418033	MPS6533/34 PNP SMT	Q10 Q11
1	70418034	2SC2412 NPN SMT	Q12
8	70418051	MMBTA13LTI NPN DARL. SMT	Q2 Q3 Q4 Q5 Q6 Q7 Q8 Q9
3	70418110	LM339 QUAD COMPARATOR SMT	U27 U28 U29
8	70418261	1N4003 - SMT - SMA PKG	D31 D32 D33 D34 D35 D36 D37 D38
26	70418506	4565 DUAL OPAMP SOIC8W	U1 U2 U3 U4 U5 U6 U7 U8 U9 U10 U11 U12 U13 U14 U15 U16 U17 U18 U19 U20 U21 U22 U23 U24 U25 U26
1	70422008	2SD1863, NPN, 1A, 80V RAD	Q1
6	70450050	RED T1 LED W/.500" SPCR	D75 D76 D77 D78 D79 D80
2	70450051	GRN T1 LED W/.500" SPCR	D29 D30
2	70450837	RED RECT LED W/0.390" SPACER	D3 D4
8	70450838	GRN RECT LED W/0.390" SPACER	D21 D22 D23 D24 D25 D26 D27 D28
2	70450839	YEL RECT LED W/0.390" SPACER	D39 D40
8	70460786	2SD786S NPN TRANS RAD	Q13 Q14 Q15 Q16 Q17 Q18 Q19 Q20
2	70600053	12C .100 STRP STRP 4" JMP	P1 P2
2	70600186	4C .100 STRP STRP 1"	P3 P4
4	71190257	10KB SNGL 9MM DET VER	VR3 VR11 VR19 VR27
26	71190259	50KB SNGL 9MM DET VER	VR2 VR4 VR5 VR6 VR8 VR10 VR12 VR13 VR14 VR16 VR18 VR20 VR21 VR22 VR24 VR26 VR28 VR29 VR30 VR32 VR37 VR38 VR45 VR46 VR50 VR51
4	71190261	25KSP SNGL 9MM VER	VR1 VR9 VR17 VR25

6	71190710	10KA/C	DUAL 12MM DET VER	VR7 VR15 VR23 VR31 VR39 VR47
10	71190716	50KB	DUAL 12MM DET VER	VR33 VR34 VR36 VR40 VR41 VR42 VR44 VR48 VR49 VR52
2	71190717	10KB	DUAL 12MM DET VER	VR35 VR43
1	71191044	10K	DUAL 60MM VER STEREO	VR53
1	71322289		SWITCH DPDT PP 3.3MM PC H	S8
7	71322356		SWITCH DPDT 2.8MM SHFT V	S1 S2 S3 S4 S5 S6 S7
1	71466267		DC POWER JACK W/O EARS	J14
1	71466272		QUAD NICKEL RCA JACK 24MM	J21
4	71466325		FXLR NC3FAV A-SER VERT	J17 J18 J19 J20
1	71466468		RCA QUAD ROW HORZ PC	J13
1	98003083		DUAL T0220 HEATSINK RA	HW1
4	K702002	22	1/10W 5% MF 0805	R152 R153 R154 R155
1	K702003	82K	1/10W 5% MF 0805	R35
12	K702004	8.2K	1/10W 5% MF 0805	R212 R213 R214 R215 R216 R217 R218 R219 R220 R221 R222 R223
10	K702005	3.3K	1/4W 5% MF 1206	R36 R37 R38 R39 R40 R41 R42 R43 R44 R45
4	K702007	3.3K	1/10W 5% MF 0805	R172 R173 R422 R423
8	K702008	150K	1/10W 5% MF 0805	R290 R291 R292 R293 R294 R295 R424 R425
19	K702009	100	1/10W 5% MF 0805	R271 R272 R273 R274 R275 R276 R277 R278 R279 R280 R281 R282 R283 R284 R285 R286 R287 R288 R289

3	K702011	33K	1/10W 5% MF 0805	R374 R379 R380
3	K702013	6.8 OHM	1/10W 5% MF 0805	R46 R47 R48
16	K702014	68K	1/10W 5% MF 0805	R238 R239 R240 R241 R242 R243 R267 R328 R329 R330 R331 R332 R333 R334 R335 R373
3	K702018	4.7	1/10W 5% MF 0805	R168 R169 R236
1	K71466216	STEREO HID JACK	INSU W/SP	J22
20	K71466217	STEREO HID JACK	NINS W/SPD	J1 J2 J3 J4 J5 J6 J7 J8 J9 J10 J11 J12 J15 J16 J23 J24 J25 J26 J27 J28

-----  
 END OF BILL OF MATERIAL REPORT  
 -----