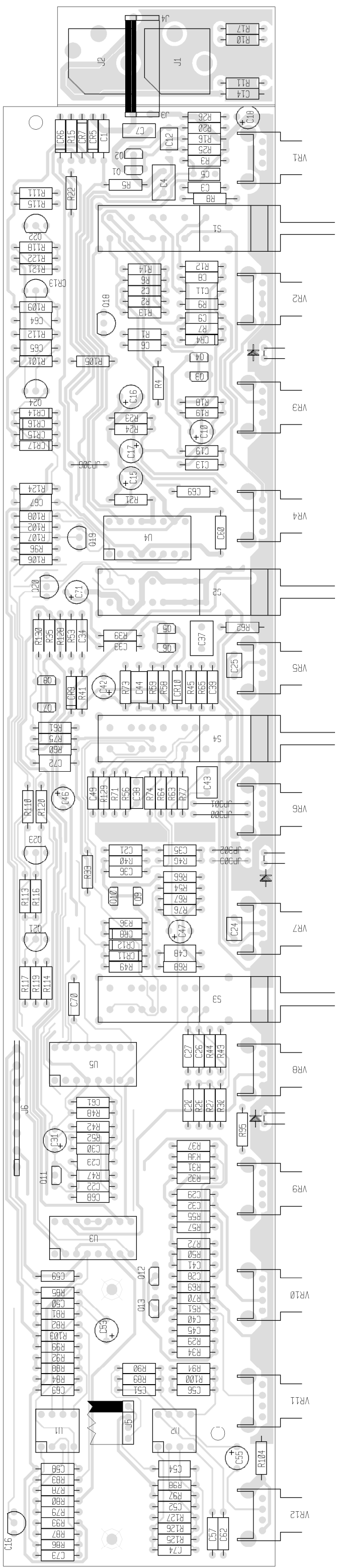


S1 = CLEAN EQ/GAIN VOICING  
 S2 = CHANNEL SELECT  
 S3 = ULTRA EQ/GAIN VOICING  
 S4 = LEAD EQ/GAIN VOICING

PEAVEY ELECTRONICS CORP.  
 711 A STREET  
 NORTOLAND, MISSISSIPPI 39301  
 TITLE THREE CHANNEL TRANSTUBE PRAMP  
 SIZE CODE NUMBER CS#72100582 REV  
 D JCF P9800154/155  
 PRINT DATE 3-FEB-2003 SHEET 1 OF 1



Revolution 112 Preamp

BILL OF MATERIALS REPORT

BOARD NAME: REV112PR REPORT DATE: 4FEB03  
 ASSEMBLY LEVEL NUMBER: 99099152 DESIGNER: JAMES HUGHES/FJE  
 PROJECT NUMBER: P98000155  
 CBDS

PART PART DESCRIPTION AND  
 \*\* QTY. NAME VALUE NUMBER DEVICE DESIGNATIONS \*\*\*\*\*  
 \*\*\*\*\*

1	72100652	72100652	72100652	PCB
5	.001	.001	70340000	.001MF----10%----50VDC----MON----T&R C29, C32, C33, C41, C56
1	.0015	.0015	70340002	.0015MF---10%----50VDC----T/C----T&R C39
2	.0015M	.0015M	70330120	.0015M 5% 50vdc my T&A C24, C25
1	.0033	.0033	70340006	.0033MF---10%----50VDC----T/C----T&R C3
1	.0039M	.0039M	70330153	.0039MF-5%-50VDC-MY-T&A C5
1	.0068M	.0068M	70330117	.0068mf--5%--50vdc--my--t&a C12
1	.01	.01	70340011	.01MF-----10%----50VDC----T/C----T&R C26
1	.012	.012	70340009	.012MF----10%----50VDC----T/C----T&R C19
1	.015	.015	70340010	.015MF----10%----50VDC----T/C----T&R C52
1	.01M	.01M	70330155	.01MF-5%-50VDC-MY-T&A C38
4	.022	.022	70340012	.022MF----10%----50VDC----MON----T&R C9, C13, C27, C49
1	.033	.033	70340014	.033MF----10%----50VDC----MON----T&R C20
6	.047	.047	70340017	.047MF----10%----50VDC----MON----T&R C6, C8, C21, C28, C35, C36
12	.1	.1	70340100	.1MF----+80-20%--50VDC----AXL----T&R C1, C22, C57, C58, C59, C60, C61, C62,

C63, C68, C69, C70

1 .12M .12M 70330133 .12M 5% 50vdc my T&A  
C43

9 .1P10 .1P10 70340101 .1MF-----10%---50VDC---MON---T&R  
C11, C23, C44, C48, C54, C64, C65, C67,  
C72

1 .1SF .1SF 70330113 0.10 MFD 10% 100V STCK FILM T&A  
C7

2 .22M .22M 70330128 .22M 5% 50vdc my T&A  
C4, C37

1 1.3K 1.3K 70240061 1.3K--1/4W--5%---CF--T&R  
R76

5 1.5K 1.5K 70240018 1.5K--1/4W--5%---CF--T&R  
R24, R26, R58, R59, R61

2 10 10 70240003 10---1/4W--5%---CF--T&R  
R119, R121

11 100K 100K 70240034 100K--1/4W--5%---CF--T&R  
R8, R16, R18, R29, R31, R65, R79, R80,  
R97, R105, R116

1 100KARA 71190906 71190906 100K--15A--12MM--R/A D-SHAFT  
VR1

1 100KP1 100KP1 70240151 100K--1/4W--1%---MF--T&R  
R51

4 100PF 100PF 70340054 100PF-----10%---50VDC---T/C---T&R  
C40, C45, C50, C73

1 105KP1 105KP1 70241076 105K-1/4W--1%---MF--T&R  
R4

13 10K 10K 70240025 10K---1/4W--5%---CF--T&R  
R37, R47, R55, R87, R90, R93, R94, R101,  
R102, R110, R111, R126, R127

2 10KBRA 71190900 71190900 10KB--12MM--R/A D-SHAFT  
VR8, VR12

2 12K 12K 70240057 12K---1/4W--5%---CF--T&R  
R21, R28

1 133KP1 133KP1 70240133 133K 1% 1/4W MF T&R  
R3

1 150K 150K 70240035 150K--1/4W--5%----CF--T&R  
R32

2 150KP1 150KP1 70241035 150K--1/4W--1%----MF--T&R  
R35, R39

12 1740 1740 70401740 2SC1740SLN 40V, .1A, NPN, LOW NOISE T&A  
Q1, Q2, Q3, Q4, Q5, Q6, Q7, Q8, Q9, Q10,  
Q12, Q13

1 180K 180K 70240066 180K---1/4W---5%---CF--T&R  
R52

2 18K 18K 70240028 18K---1/4W--5%----CF--T&R  
R30, R56

9 1K 1K 70240017 1K----1/4W--5%----CF--T&R  
R22, R23, R77, R83, R85, R106, R113,  
R114, R124

5 1M 1M 70240039 1M----1/4W--5%----CF--T&R  
R42, R49, R50, R54, R109

1 1M5ARA 71190910 71190910 1M--5A--12MM--R/A D-SHAFT  
VR2

13 1N4148 4148 70464148 1N4148 75V 10MA SILICON DIODE  
CR4, CR5, CR6, CR7, CR8, CR9, CR10,  
CR11, CR12, CR14, CR15, CR16, CR17

2 2.2K 2.2K 70240020 2.2K--1/4W--5%----CF--T&R  
R68, R130

4 2.2M 2.2M 70240040 2.2M--1/4W--5%----CF--T&R  
R7, R14, R33, R48

1 2.2R50 2.2R50 70320180 2.2MF-----20%----50VDC---EL--T&A  
C42

1 20KBRA 71190903 71190903 20KB--12MM--R/A D-SHAFT  
VR3

2 22 22 70240007 22----1/4W--5%----CF--T&R  
R88, R92

4 220K 220K 70240036 220K--1/4W--5%----CF--T&R  
R57, R74, R78, R118

9 22K 22K 70240029 22K---1/4W--5%----CF--T&R  
R10, R17, R44, R82, R84, R86, R96, R107,  
R117

11 22R50 22R50 70320181 22MF-----20%----50VDC---EL--T&A

C10, C15, C16, C17, C18, C31, C46, C47,  
C53, C55, C71

- 1 240K 240K 70241094 240K--1/4W--5%----CF--T&R  
R72
- 2 243KP1 243KP1 70241037 243---1/4W--1%----MF--T&R  
R15, R45
- 1 25.5KP1 25.5KP1 70240121 25.5K 1% 1/4W MF T&R  
R12
- 2 250K5ARA 71190907 71190907 250K--5A--12MM--R/A D-SHAFT  
VR5, VR7
- 3 250KBRA 71190908 71190908 250KB--12MM--R/A D-SHAFT  
VR9, VR10, VR11
- 2 250STW 70901856 70901856 SPCR, 1/4,R(#4),.187 SW,AL  
SO1, SO2
- 2 270PF 270PF 70340057 270PF-----10%----50VDC----T/C----T&R  
C2, C14
- 2 2CJMP3 70600036 70600036 2C PRE-TIN .156-3" JUMPER  
J3, J4
- 6 2N3904 3904 70463904 3904/SPS7239 TO 92 NPN T&A  
Q18, Q19, Q20, Q21, Q22, Q23
- 3 3.3K 3.3K 70240022 3.3K--1/4W--5%----CF--T&R  
R19, R73, R75
- 1 3.9K 3.9K 70241093 3.9K--1/4W--5%----CF--AXL  
R70
- 1 3.9M 3.9M 70240064 3.9M--1/4W--5%----CF--T&R  
R62
- 1 300KARA 71190912 71190912 300K--25A--CT--12MM--R/A D-SHAFT  
VR4
- 1 330 330 70240014 330---1/4W--5%----CF--T&R  
R95
- 5 33K 33K 70240030 33K---1/4W--5%----CF--T&R  
R13, R27, R108, R125, R129
- 1 37.4KP1 37.4KP1 70240052 37.4K-1/4W--1%----MF--T&R  
R5
- 2 39K 39K 70240048 39K---1/4W--5%----CF--T&R

R9, R71

6 4.7K 4.7K 70240023 4.7K--1/4W--5%----CF--T&R  
R11, R63, R64, R115, R120, R128

2 4560 4560 70414560 4560 DUAL OP AMP IC

U1, U2

1 47 47 70240008 47----1/4W--5%----CF--T&R  
R112

7 470K 470K 70240038 470K--1/4W--5%----CF--T&R  
R2, R41, R46, R53, R60, R66, R69

2 470PF 470PF 70340058 470PF-----10%----50VDC----T/C----T&R  
C30, C34

2 47FP 47FP 70240090 47FP--1/4W--5%----FP--T&R  
R103, R104

5 47K 47K 70240031 47K---1/4W--5%----CF--T&R  
R34, R38, R89, R100, R122

1 4P2TLRA 4P2TLRA 71322395 4P2T RA LEVER ACTUATED SLIDE SWITCH  
S1

3 4P3TLRA 4P3TLRA 71322396 4P3T RA LEVER ACTUATED SLIDE SWITCHII  
S2, S3, S4

1 5.23KP1 5.23KP1 70241071 5.23K--1/4W---1%---MF--T&R  
R20

1 50KBRA 71190904 71190904 50KB--12MM--R/A D-SHAFT  
VR6

2 6.8K 6.8K 70240024 6.8K--1/4W--5%----CF--T&R  
R43, R98

1 68 68 70240009 68----1/4W--5%----CF--T&R  
R99

1 680 680 70240016 680---1/4W--5%----CF--T&R  
R67

1 680K 680K 70240065 680K----1/4W--5%----CF--T&R  
R1

3 68K 68K 70240032 68K---1/4W--5%----CF--T&R  
R6, R25, R81

1 68KP1 68KP1 70241070 68K---1/4W--1%----MF--T&R

R40

2 820PF 820PF 70340062 820PF-----10%----50VDC----T/C----T&R

C51, C74

1 82K 82K 70240033 82K---1/4W--5%----CF--T&R

R36

1 933 933 70400933 2SA933ASLN 40V, .1A, PNP, LOW NOISE T&A

Q11

1 CAB0018 70600018 70600018 8C .156 - 5" JMPR W/FEED-TO CONN.

J6

1 CAB071 CAB071 70600071 4 CON. .1" VERT RIBBON CABLE ASSEMBLY 4"

J5

2 HIDMNI 71466214 71466214 2 TIP HID JACK NINS W/SPD

J1, J2

2 J174 J174 70460174 J-174 30V TO-92 P-CHAN FET T&A

Q16, Q24

25 J325 J 70600005 22GA JUMPER WIRES T&R

JP300, JP301, JP302, JP303, JP304,  
JP305, JP306, JP307, JP308, JP309,  
JP310, JP311, JP312, JP313, JP314,  
JP315, JP316, JP317, JP318, JP319,  
JP320, JP321, JP322, JP323, JP324

50 J35 J 70600005 22GA JUMPER WIRES T&R

JP350, JP351, JP352, JP353, JP354,  
JP355, JP356, JP357, JP358, JP359,  
JP360, JP361, JP362, JP363, JP364,  
JP365, JP366, JP367, JP368, JP369,  
JP370, JP371, JP372, JP373, JP374,  
JP375, JP376, JP377, JP378, JP379,  
JP380, JP381, JP382, JP383, JP384,  
JP385, JP386, JP387, JP388, JP389,

JP390, JP391, JP392, JP393, JP394,  
JP395, JP396, JP397, JP398, JP399

75 J4 J 70600005 22GA JUMPER WIRES T&R

JP400, JP401, JP402, JP403, JP404,  
JP405, JP406, JP407, JP408, JP409,  
JP410, JP411, JP412, JP413, JP414,  
JP415, JP416, JP417, JP418, JP419,  
JP420, JP421, JP422, JP423, JP424,  
JP425, JP426, JP427, JP428, JP429,  
JP430, JP431, JP432, JP433, JP434,  
JP435, JP436, JP437, JP438, JP439,  
JP440, JP441, JP442, JP443, JP444,  
JP445, JP446, JP447, JP448, JP449,  
JP450, JP451, JP452, JP453, JP454,  
JP455, JP456, JP457, JP458, JP459,  
JP460, JP461, JP462, JP463, JP464,  
JP465, JP466, JP467, JP468, JP469,  
JP470, JP471, JP472, JP473, JP474



50 J5 J 70600005 22GA JUMPER WIRES T&R

JP500, JP501, JP502, JP503, JP504,  
JP505, JP506, JP507, JP508, JP509,  
JP510, JP511, JP512, JP513, JP514,  
JP515, JP516, JP517, JP518, JP519,  
JP520, JP521, JP522, JP523, JP524,  
JP525, JP526, JP527, JP528, JP529,  
JP530, JP531, JP532, JP533, JP534,  
JP535, JP536, JP537, JP538, JP539,  
JP540, JP541, JP542, JP543, JP544,  
JP545, JP546, JP547, JP548, JP549

41 J6 J 70600005 22GA JUMPER WIRES T&R

JP600, JP601, JP602, JP603, JP604,  
JP605, JP606, JP607, JP608, JP609,  
JP610, JP611, JP612, JP613, JP614,  
JP615, JP616, JP617, JP618, JP619,  
JP620, JP621, JP622, JP623, JP624,  
JP625, JP626, JP627, JP628, JP629,  
JP630, JP631, JP632, JP633, JP634,  
JP635, JP636, JP637, JP638, JP639, JP640

16 J7 J 70600005 22GA JUMPER WIRES T&R

JP700, JP701, JP702, JP703, JP704,  
JP705, JP706, JP707, JP708, JP709,  
JP710, JP711, JP712, JP713, JP714, JP715

16 J8 J 70600005 22GA JUMPER WIRES T&R

JP800, JP801, JP802, JP803, JP804,  
JP805, JP806, JP807, JP808, JP809,  
  
JP810, JP811, JP812, JP813, JP814, JP815

1 MAC97 MAC97 70460097 MAC97-6 400V .6A TO-92 TRIAC T&A

CR13

3 MAX364 MAX364 70400364 MAX364CPE Q2 SPST ANALOG SW IC

U3, U4, U5

1 RALEDGSL RALEDGSL 70450054 LED, T-1, GRN, W/STOPPER LEAD T&A

CR1

1 RALEDRSL RALEDRSL 70450053 LED, T-1, RED, W/STOPPER LEAD T&A

CR3

1 RALEDYSL RALEDYSL 70450055 LED, T-1, YEL, W/STOPPER LEAD T&A

CR2

\*\*\*\*\*  
\* END OF BILL OF MATERIALS REPORT \*  
\*\*\*\*\*





BILL OF MATERIALS REPORT

BOARD NAME: SPEC2PWR REPORT DATE: 26JUN00  
 ASSEMBLY LEVEL NUMBER: 99099160 DESIGNER: JTH/FE  
 PROJECT NUMBER: P9800155

CBDS PART PART DESCRIPTION AND

\*\* QTY. NAME VALUE NUMBER DEVICE DESIGNATIONS \*\*\*\*\*  
 \*\*\*\*\*

1	98899160	98899160	PCB	
2	.01	.01	70340011	01MF-----10%-----50VDC----T/C----T&R
			C12, C33	
2	.01CD	.01CD	70320248	.01MF----20%---1000VDC---CD--T&A
			C15, C22	
2	.047	.047	70340017	.047MF----10%-----50VDC---MON----T&R
			C+8, C49	
10	.1	.1	70340100	.1MF-----8%-20%--50VDC----AXL----T&R
			C1, C6, C9, C10, C42, C43, C44, C45, C+6, C47	
5	.1SF	.1SF	70330113	0.10 MFD 10% 100V STCK FILM T&A
			C14, C18, C24, C30, C40	
4	.33W5	.33W5	70250003	.33--5W--10%--WW--AXL
			R28, R29, R76, R77	
4	.68W5	.68W5	70250004	.68--5W--10%--WW--AXL
			R85, R86, R95, R96	
2	1.5K	1.5K	70240018	1.5K--1/4W--5%-----CF--T&R
			R4, R21	
4	1000R35	1000R35	70320186	1000MF----20%-----35VDC--EL--T&A
			C16, C17, C25, C31	
1	1000SV50	1000SV50	70320147	1000MF--30/20%--50VDC--EL-R/S
			C34	
8	100K	100K	70240034	100K--1/4W--5%-----CF--T&R
			R+0, R43, R46, R57, R64, R65, R67, R81	
3	100PF	100PF	70340054	100PF-----10%-----50VDC----T/C----T&R
			C23, C39, C41	
4	10FP	10FP	70240095	10FP--1/4W--5%-----FP--T&R
			R33, R36, R42, R45	

4	10K	10K	70240025	10K---1/4W--5%-----CF--T&R
			R79, R89, R90, R93	
1	10KACRA	71190914	71190914	10K--15A--12MM--R/A D-SHAFT
			VR3	
1	10KCRA	71190902	71190902	10K--15C--12MM--R/A D-SHAFT
			VR2	
3	10PF	10PF	70340050	10PF-----5%-----T/C----T&R
			C19, C51, C52	
1	10R50L	10R50L	70320185	10MF-----20%-----50VDC---LL--T&A
			C38	
1	15K	15K	70240027	15K---1/4W--5%-----CF--T&R
			R24	
1	180	180	70240012	180---1/4W--5%-----CF--T&R
			R50	
2	1K	1K	70240017	1K----1/4W--5%-----CF--T&R
			R7, R82	
4	1M	1M	70240039	1M----1/4W--5%-----CF--T&R
			R10, R11, R22, R73	
12	1N4003	1N4003	70464003	1N4003 200V SILICON DIODE
			CR10, CR14, CR17, CR18, CR19, CR24, CR26, CR30, CR31, CR35, CR39, CR46	
27	1N4148	4148	70464148	1N4148 75V 10MA SILICON DIODE
			CR1, CR2, CR3, CR4, CR5, CR6, CR7, CR8, CR9, CR13, CR16, CR20, CR21, CR22, CR25, CR27, CR29, CR32, CR36, CR38, CR40, CR42, CR44, CR48, CR49, CR52, CR53	
6	1N4744	4744	70440102	SZG40102 15V 5% ZENER DIODE
			CR11, CR37, CR41, CR45, CR50, CR51	
2	1N5393	5393	70465393	1N5393-RL 200V, 1.5, 5% DIODE -T&R
			CR12, CR43	
2	1SS142	1SS142	70400142	1SS142 250v SILICON DIODE
			CR15, CR34	
1	2.2K	2.2K	70240020	2.2K--1/4W--5%-----CF--T&R
			R63	
5	2.2R50	2.2R50	70320180	2.2MF-----20%-----50VDC---EL--T&A

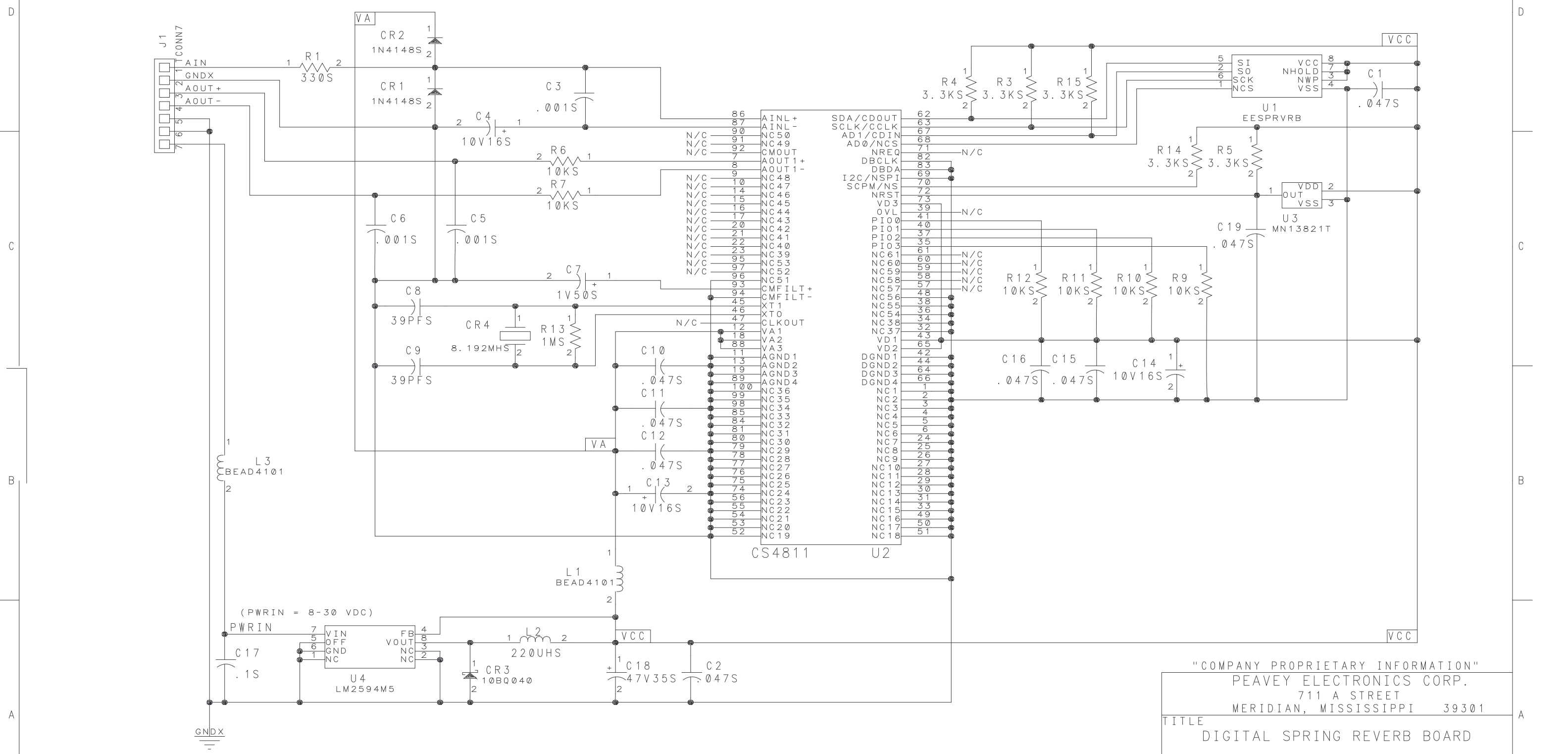
2	2.7K	2.7K	70240021	2.7K--1/4W--5%-----CF--T&R
			R59, R66	
2	2.7KW1	2.7KW1	70210016	2.7K--1W----5%-----MO--T&R
			R26, R78	
1	220K	220K	70240036	220K--1/4W--5%-----CF--T&R
			R18	
1	22FP	22FP	70240100	22FP--1/4W--5%-----FP-----
			R25	
8	22K	22K	70240029	22K---1/4W--5%-----CF--T&R
			R5, R6, R9, R12, R19, R55, R58, R92	
5	22R50	22R50	70320181	22MF-----20%-----50VDC---EL--T&A
			C11, C26, C29, C35, C36	
2	22W1	22W1	70210001	22----1W----5%-----MO--T&R
			R27, R75	
1	250KARA	71190909	71190909	250K--5A--12MM--R/A D-SHAFT
			VR4	
5	250STW	70901856	70901856	SPCR, 1/4,R(#4),.187 SW,AL
			STO1, STO2, STO3, STO4, STO5	
1	2N3904	3904	70463904	3904/SPS7239 TO 92 NPN T&A
			Q3	
2	2N5400	5400	70460761	761/2N5460 120V 10MA T0-92 PNP T&A
			Q4, Q5	
2	2N5550	5550	70465550	2N5550 TO-92 NPN TRANS T&A
			Q13, Q14	
2	2SA1302	2SA1302	70458200	200V PLASTIC PNP POWER TRNASTISOR
			Q6, Q8	
1	2SA1837V	2SA1837V	70401837	PNP TRAN TO-220 230V 1A VERT
			Q9	
2	2SC3281	2SC3281	70468200	200V PLASTIC NPN POWER TRANSISTOR
			Q10, Q12	
1	2SC4793V	2SC4793V	70404793	NPN TRAN TO-220 230V 1A VERT
			Q7	
6	3.3K	3.3K	70240022	3.3K--1/4W--5%-----CF--T&R
			R2, R30, R32, R72, R74, R80	
3	33K	33K	70240030	33K---1/4W--5%-----CF--T&R

C2, C3, C4, C5, C37

R3, R20, R23  
2 390 390 70240060 390---1/4W--5%----CF--T&R  
R47, R94  
2 39PF 39PF 70340052 39PF-----50VDC---T/C---T&R  
C7, C8  
2 4.7FP 4.7FP 70240094 4.7FP-1/4W--10%---FP--T&R  
R48, R56  
6 4.7K 4.7K 70240023 4.7K--1/4W--5%----CF--T&R  
R37, R44, R53, R54, R62, R84  
3 4560 4560 70414560 4560 DUAL OP AMP IC  
U1, U2, U3  
1 470 470 70240015 470---1/4W--5%----CF--T&R  
R15  
2 4700R63 4700R63 70320146 4700MF---10%----63VDC---EL--R/S  
C13, C32  
1 470K 470K 70240038 470K--1/4W--5%----CF--T&R  
R14  
1 47FP 47FP 70240090 47FP--1/4W--5%----FP--T&R  
R87  
5 47K 47K 70240031 47K---1/4W--5%----CF--T&R  
R39, R49, R51, R60, R70  
1 5.6W5 5.6W5 70250026 5.6--5W--10%---WW--AXL  
R83  
1 50KBRA 71190904 71190904 50KB--12MM--R/A D-SHAFT  
VR1  
1 6.8K 6.8K 70240024 6.8K--1/4W--5%----CF--T&R  
R8  
2 68 68 70240009 68----1/4W--5%----CF--T&R  
R41, R61  
3 68K 68K 70240032 68K---1/4W--5%----CF--T&R  
R13, R31, R68  
2 698P1 698P1 70240086 698 OHM 1% 1/4W MF T&R  
R35, R69  
1 7815FVRT 7815FVRT 70400318 7815 15V 1A POS TO-220 RG VERT MNT INS  
Q15  
1 7915FVRT 7915FVRT 70400319 7915 15V 1A NEG TO 220 RG VERT MNT INS

Q16  
2 8.2K 8.2K 70240049 8.2K--1/4W--5%----CF--T&R  
R34, R91  
2 820PF 820PF 70340062 820PF-----10%----50VDC---T/C---T&R  
C20, C28  
2 8PRC12J2 8PRC12J2 70600052 8C PRE-TIN .100 CTR 12" JUMPER (SPLIT VERSION)  
P13, P14  
1 CAB120 CAB120 70600120 2 COND. PRE-TINNED/SPOX RIBBON CABLE W/100" SPA  
P18  
1 DG211 DG211 70420211 DG211 C.J.I.C.  
U4  
1 DIN7RA 71466226 71466226 CONN 7P R/A PCMNT DIN W/ 4 MNT. HOLES  
J5  
3 FMPU 73711811 73711811 M118-171 C.B. FEMALE MOLEX PIN  
P2, P4, P6  
1 KBU6J 70400605 70400605 6A, 600V, INLINE DIODE BRIDGE RECTIFIER  
BR1  
4 LBRKTI 71500238 71500238 #74 L-BRACKET W/4-40 HOLE  
BRK1, BRK2, BRK3, BRK4  
3 MMPU 73711812 73711812 R93-12 PN C.B. MALE MOLEX PIN  
P3, P5, P7  
4 RAMN6322 71466322 71466322 JACK MONO R/A 1/4" 6.5MM NINS  
J1, J2, J3, J4  
1 RASN6323 71466323 71466323 JACK STEREO R/A 1/4" 6.5MM NINS  
J6  
1 SPX8 SPX8 XXXXXXXXX 8 EACH OF STAKE PINS  
P1  
1 SW2341 SW2341 71322341 dpdt p/p r/a mini  
S1  
1 WJ8BL14 WJ8BL14 91014148 BL-18G-14"-CPT-205SPD  
SP2  
1 WJ8YL14 WJ8YL14 91015149 YL-18G-14"-CPT-205SPD  
SP1  
\*\*\*\*\*  
END OF BILL OF MATERIALS REPORT \*  
\*\*\*\*\*

8 7 6 5 4 3 2 1

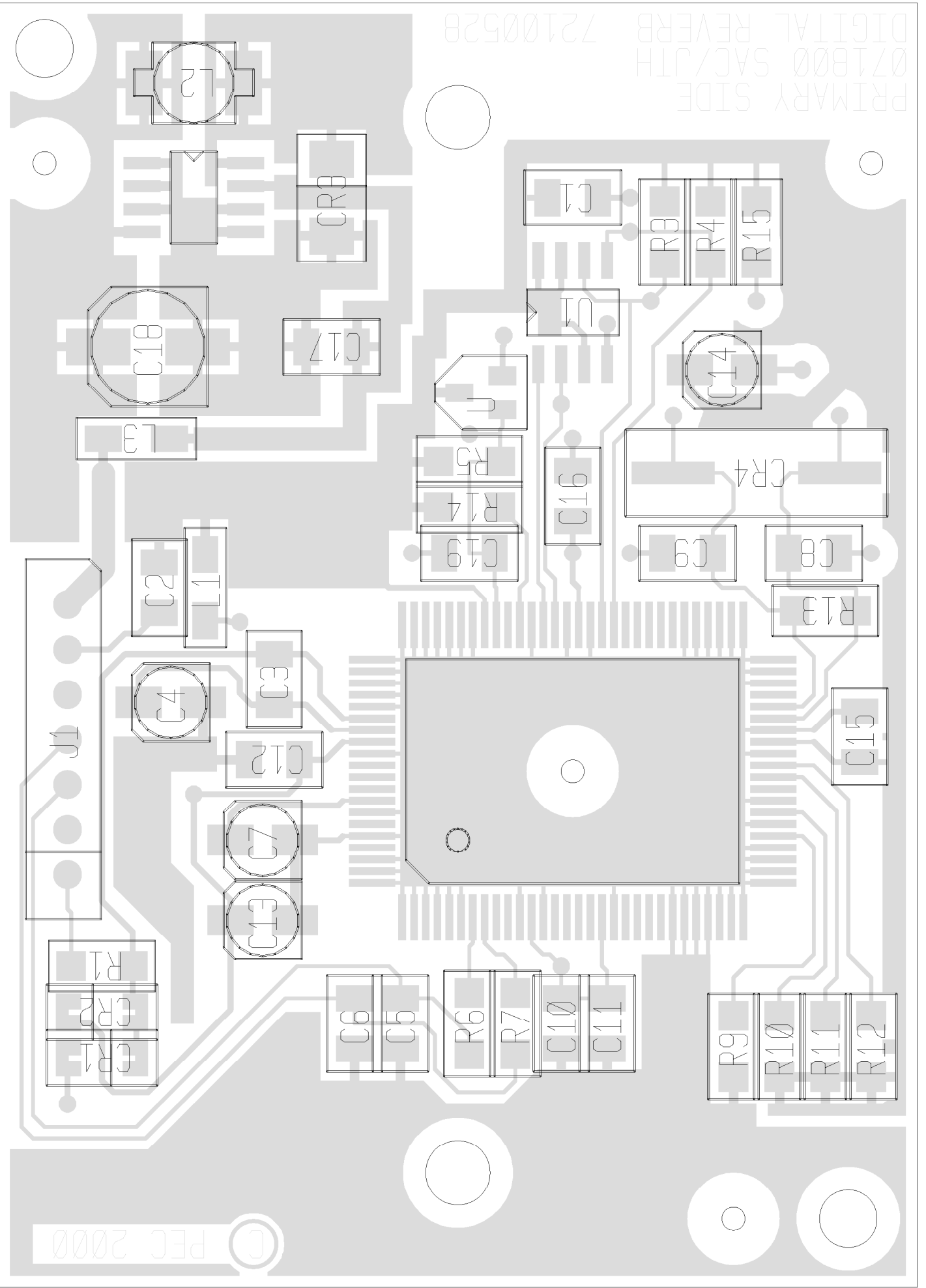


"COMPANY PROPRIETARY INFORMATION"

PEAVEY ELECTRONICS CORP.  
711 A STREET  
MERIDIAN, MISSISSIPPI 39301

TITLE			
DIGITAL SPRING REVERB BOARD			
SIZE	CODE	NUMBER	REV
B	JCF	99053090	A
DATE	14-JUL-2000		SHEET 1 OF 1

8 7 6 5 4 3 2 1



PRIMARY SIDE  
Ø71800 SAC/JTH  
DIGITAL REVERB  
72100528

© PEC 2000

BILL OF MATERIALS REPORT

BOARD NAME: DIGITREVERB REPORT DATE: 24JUL00  
 ASSEMBLY LEVEL NUMBER: 99053090 DESIGNER: SACLAARK/JAMES HUGHES  
 PROJECT NUMBER: P9800155

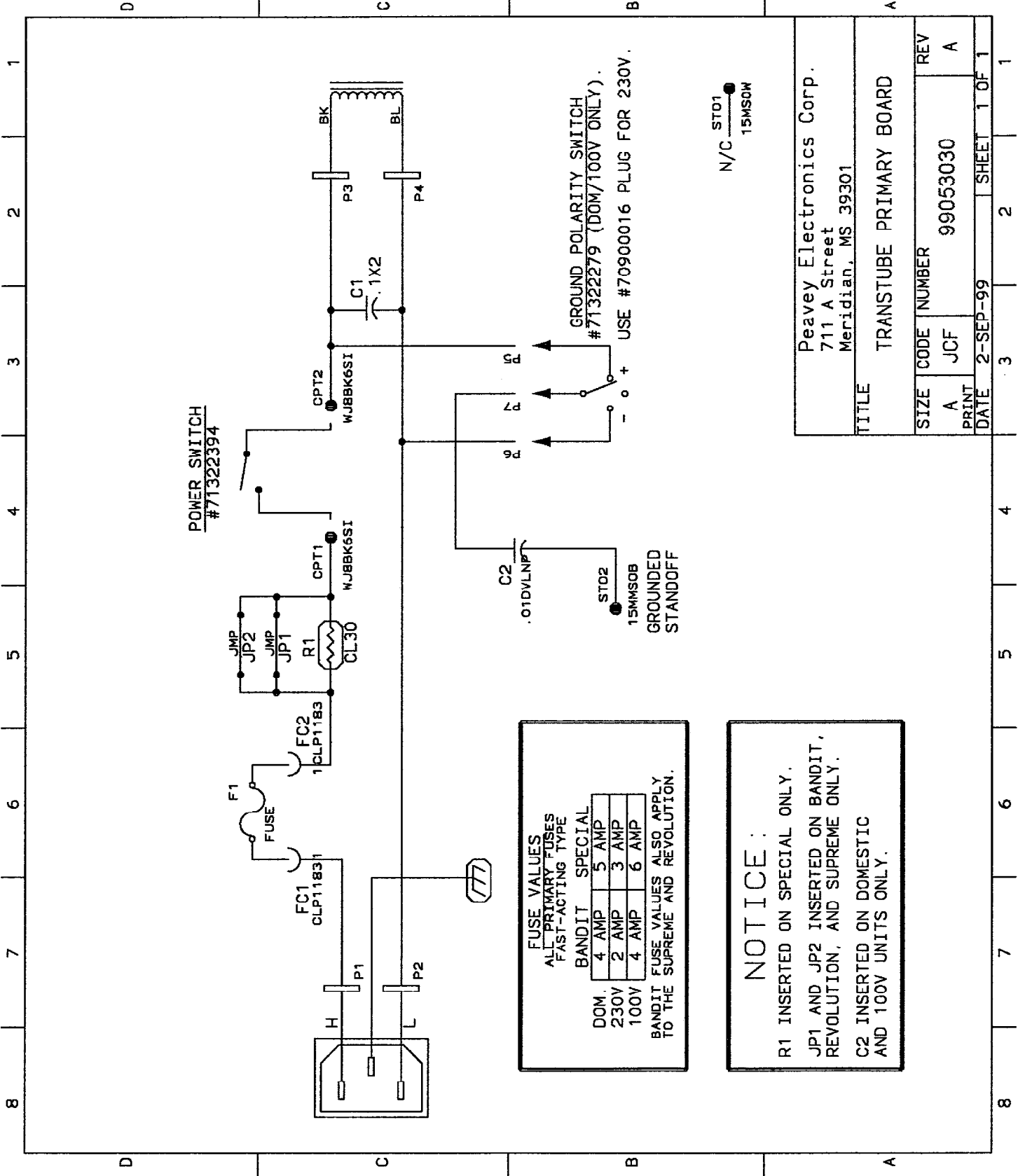
\*\*\*\*\*  
 \*\*QTY. NAME VALUE NUMBER DEV. CE DESIGNATIONS \*\*\*\*\*  
 \*\*\*\*\*

CBDS PART	PART	DESCRIPTION AND
1 72100528	72100528	FCB
3 .001S	.001	70300036 .001MF X7R 50V 10% SMT 1206
		C3, C5, C6
8 .047S	.047	70300027 .047----SURFACE MNT--1206 PACK
		C1, C2, C10, C11, C12, C15, C16, C19
1 .1S	.1	7C300035 .1MF Z5U 50V 20% SMT 1206
		C17
1 10BQ040	10BQ040	70418219 10BQ040 SCHOTTKY DIODE, 40V,1A,SMT
		CR3
6 10KS	10K	70200028 10K--1/8W--5%---SMT
		R6, R7, R9, R10, R11, R12
3 10V16S	70300080	70300080 10MFD--+/20%--16VDC--EL--SMT
		C4, C13, C14
1 1MS	1M	70200036 1M--1/8W--5%---SMT
		R13
2 1N4148S	4148	70418226 1N4148 (LL54) DIODE SMT
		CR1, CR2
1 1V50S	70300081	70300081 1MFD--+/20%--50VDC--EL--SMT
		C7
1 220UHS	220UH	70800037 220UH INDUCTOR, 200MA, SMT
		L2
5 3.3KS	3.3K	70200023 3.3K--1/8W--5%---smt
		R3, R4, R5, R14, R15
1 330S	330	70200071 330--1/8W--5%---SM
		R1
2 39PFS	39PF	70300012 39PF COG 50V 5% SMT 1206
		C8, C9
1 47V35S	70300079	70300079 47MFD--+/20%--35VDC--EL--SMT
		C18

1 8.192MH5	8.192MH	70800036	8.192 MHZ, CRYSTAL, SMT, T&R
			CR4
2 BEAD4101	FB	70504101	BLM41A01-PT FERRITE CHIP
			L1, L3
1 CS4811	CS4811	70418224	CS4811 DSP+CODEC, 100-PIN MQFP, SMT
			U2
1 EESPRVB	EESPRVB	70418223	8K X 8BIT SERIAL EEPROM W/SPR.REVERB ALG.,5MHZ
			U1
1 LM2594M5	LM2594M5	70418220	LM2594M-5.0,5V STEP-DOWN REGULATOR, SMT
			U4
1 MN13821T	MN13821T	70418225	VOLT. DET/RESET MONITOR, 4.4V, N-CH, OPEN DRAIN,
			U5
1 TCONN7	73716729	73716729	7 CCND, SPOX WIRE TO BOARD HEADER
			J1

\*\*\*\*\*  
 \* END OF BILL OF MATERIALS REPORT \*  
 \*\*\*\*\*





POWER SWITCH  
#71322394

GROUND POLARITY SWITCH  
#71322279 (DOM/100V ONLY).  
USE #70900016 PLUG FOR 230V.

N/C STO1  
15MSOW

FUSE VALUES  
ALL PRIMARY FUSES  
FAST-ACTING TYPE

BANDIT		SPECIAL	
DOM.	4 AMP	5 AMP	
230V	2 AMP	3 AMP	
100V	4 AMP	6 AMP	

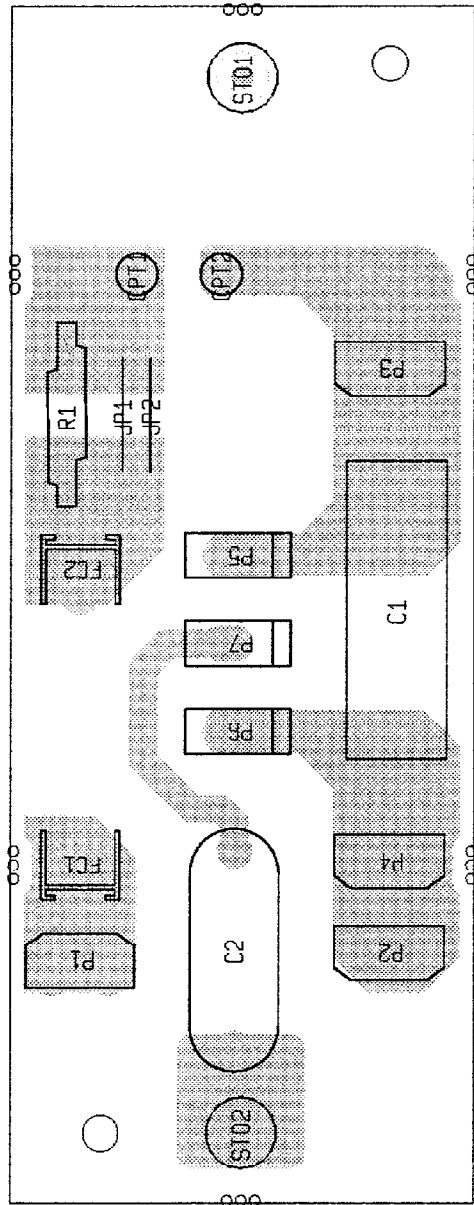
BANDIT FUSE VALUES ALSO APPLY  
TO THE SUPREME AND REVOLUTION.

**NOTICE:**  
R1 INSERTED ON SPECIAL ONLY.  
JP1 AND JP2 INSERTED ON BANDIT,  
REVOLUTION, AND SUPREME ONLY.  
C2 INSERTED ON DOMESTIC  
AND 100V UNITS ONLY.

Peavey Electronics Corp. 711 A Street Meridian, MS 39301	
TITLE TRANSTUBE PRIMARY BOARD	
SIZE A	CODE JCF
NUMBER 99053030	REV A
DATE 2-SEP-99	SHEET 1 OF 1

PARTS NOT PLACED IN 99053030	R1
------------------------------------	----

PARTS NOT PLACED IN 99053031	C2, R1
	F5, P6, P7



TRANSTUBE PRIMARY

PARTS NOT PLACED IN 99053032	JP1, JP2
------------------------------------	----------

PARTS NOT PLACED IN 99053033	C2, JP1, JP2
	P5, P6, P7

ASS'Y P/N	BANDIT / REV DOM, PRIMARY	99053030
	BANDIT / REV EXP, PRIMARY	99053031
	SPECIAL DOM, PRIMARY	99053032
	SPECIAL EXP, PRIMARY	99053033

BILL OF MATERIALS REPORT

BOARD NAME: TTPRIMARY REPORT DATE: 24NOV99

HUGHES ASSEMBLY LEVEL NUMBER: 99053030 DESIGNER: TIM TAYLOR/JAMES  
PROJECT NUMBER: P9800153

CBDS  
PART PART DESCRIPTION AND

\*\* QTY. NAME VALUE NUMBER DEVICE DESIGNATIONS \*\*\*\*\*

\*\*\*\*\*

1 98853030 98853030 98853030 PCB

1 .01DVLNP .01DVLNP 70320104 .01 MFD 125VDC DVL MYLAR +0-20%

C2

1 .1X2 70320298 70320298 .1MF 250VAC X2 20%

C1

1 15MMSOB 70901889 70901889 SPACER, 15MM, .187 BRASS

STO2

1 15MSOW 70901837 70901837 SPACER, 15mm-r(#4) .187 swage alum.

STO1

1 CL30 CL30 70240202 INRUSH CURRENT LIMITER

R1

2 CLP1183 CLP1183 70901183 FUSECLIP, PC MT - T&A

FC1, FC2

2 JMP JMP 70600005 22 GA. JUMPER WIRE T&R

JP1, JP2

4 SPD 73716194 73716194 .250 PC MNT SPADE .093 PCB

P1, P2, P3, P4

3 SPX1U SPX1U 73717003 1 STAKE PIN

P5, P6, P7

2 WJ8BK6SI WJ8BK6SI 91090305 BK-18G-6"-CPT-SI187

CPT1, CPT2