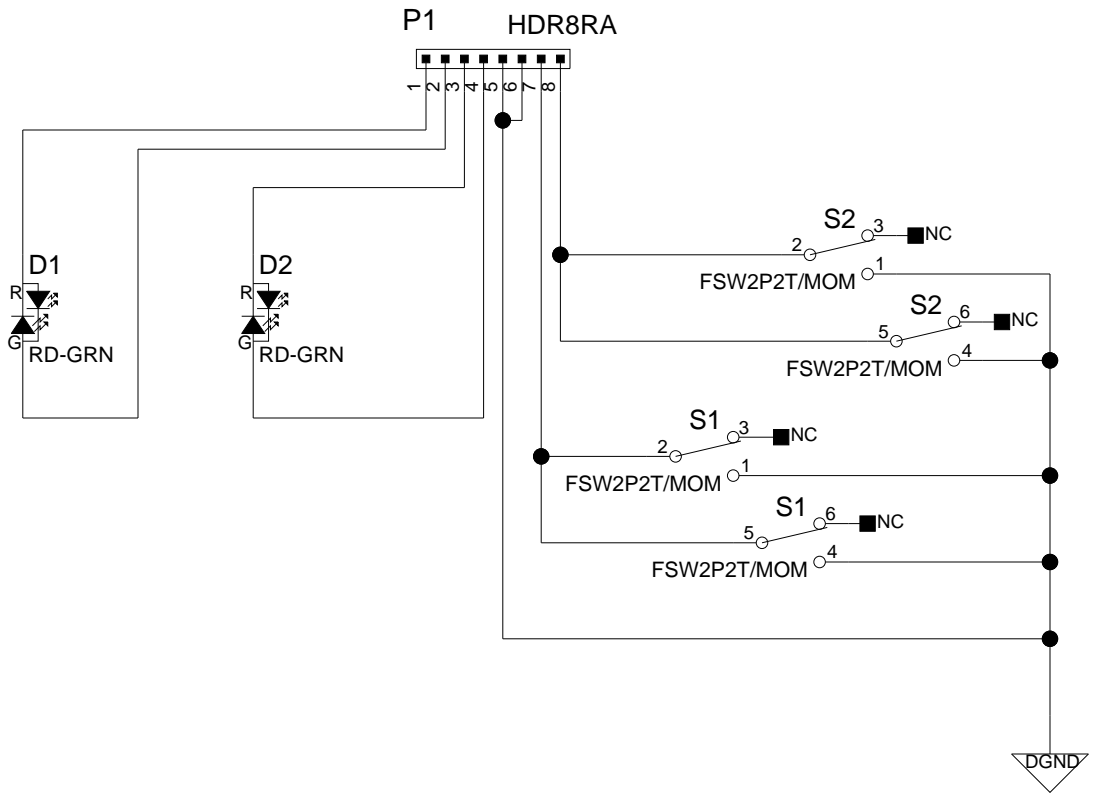


REV	Eng	Date:	Revision Description	ECN#
A				
B				
C				
D				
E				
F				

INDEX


SHEET	DESCRIPTION



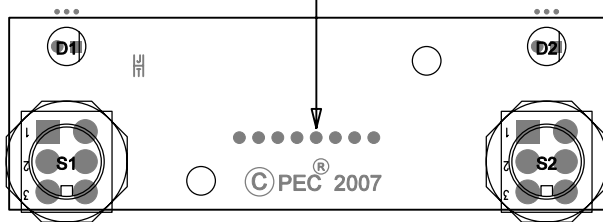
Note: All thru hole Resistors are 1/4 Watt unless otherwise indicated.
 All SMT 1206 Resistors are 1/4 Watt.
 All SMT 0805 Resistors are 1/10 Watt.
 Note Capacitor Values are indicated as Follows:
 val P = pF (picoFarads) val * 10 exp-12
 val N = nF (nanoFarads) val * 10 exp-9 (1N=1000pF, 100N=0.1uF)
 val U = uF (microFarads) val * 10 exp-6

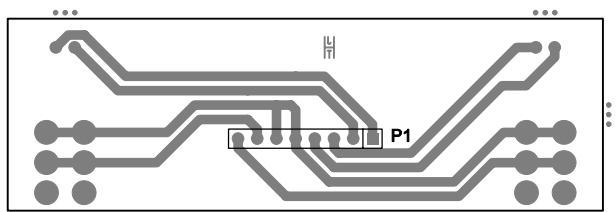
Patents:
 Copyright Peavey Electronics Corporation 2005.

Company Proprietary Information

 Peavey Electronics Corp. P. O. Box 2898 Meridian, MS 39301	
Product:	
SANPERA_FTSW	
Title:	
Project Number:	
Eng:	Release Date:
B Sheet 1 of 1	Saved: 10-29-2007_11:36

MOUNT ON SECONDARY SIDE





BILL OF MATERIAL REPORT

REPORT DATE/TIME: 11/14/2007 1:22:44 PM

BOARD NAME: SANPERA II FOOTSWITCH ASSEMBLY LEVEL NUMBER: 29098610

PROJECT NUMBER: P0700034 DESIGNER: JTH

Qty.	Part #	Description	Reference Designators
2	30450600	BICOLOR LED T1 BULK NO STOP	D1 D2
2	31322540	SWITCH DPDT PC V/MOM	S1 S2
1	33717282	8 HDR H SR .100" GLD	P1

END OF BILL OF MATERIAL REPORT