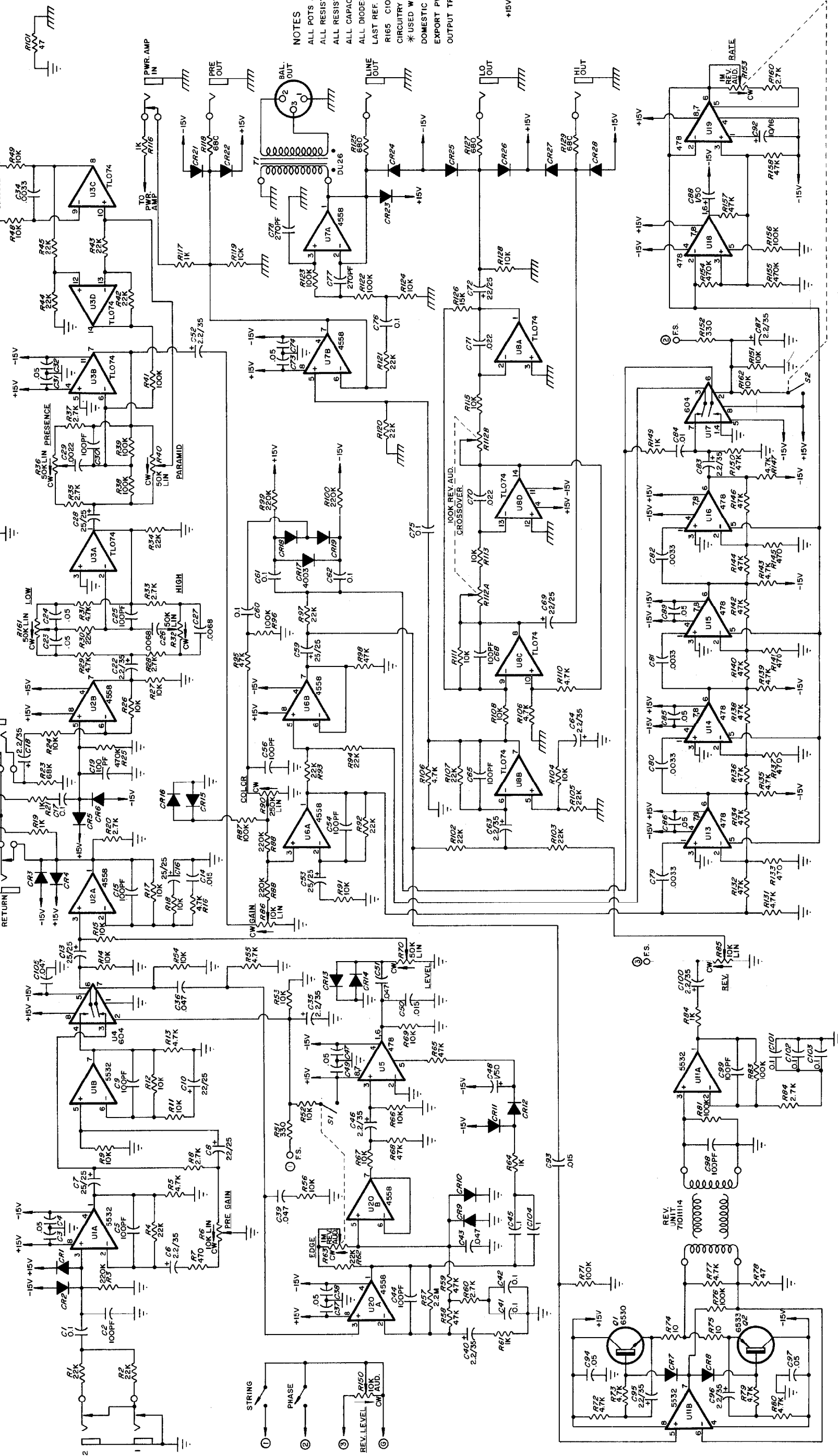
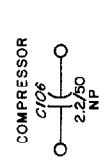


**SESSION 500 \***  
 MASTER BD #99001805  
 PATCH BL #99001815

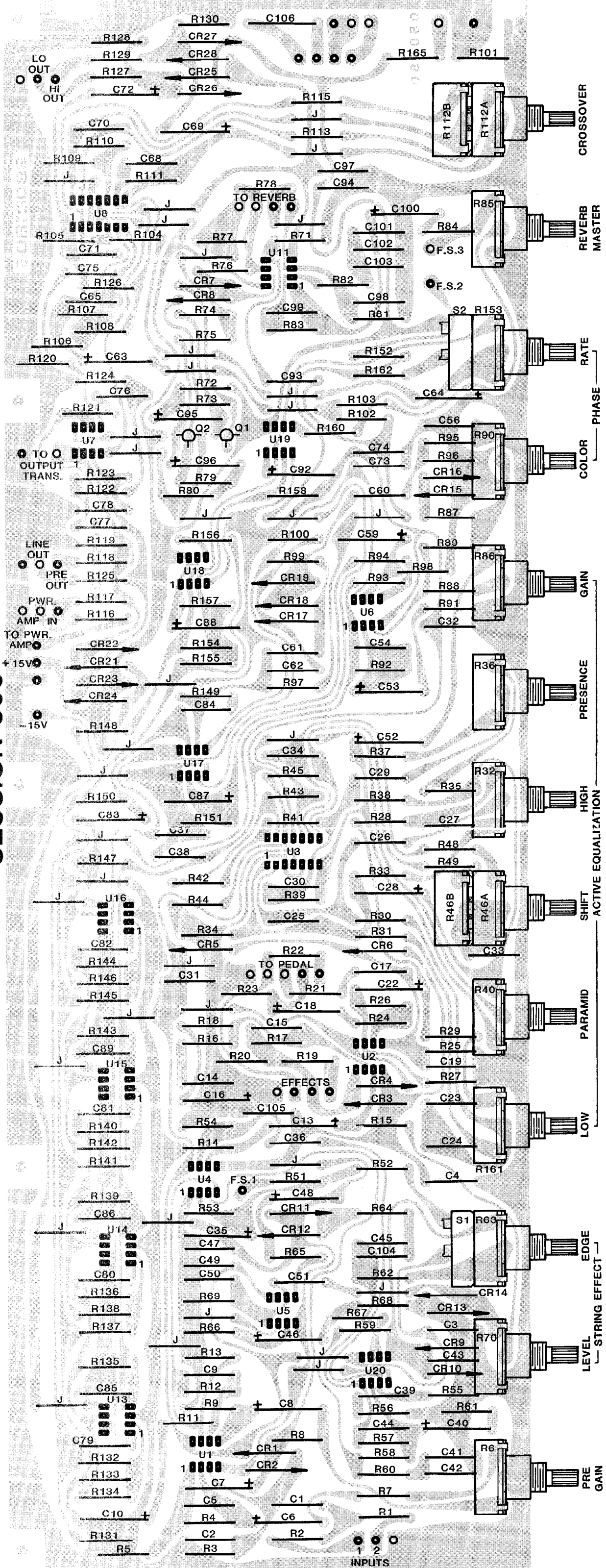


**NOTES**  
 ALL POTS ARE LINEAR UNLESS NOTED  
 ALL RESISTORS 1/4W UNLESS NOTED  
 ALL CAPACITORS IN MFD UNLESS NOTED  
 ALL DIODES IN4148 UNLESS NOTED  
 LAST REF DESIGNATOR USED:  
 R165 C106 CR29 U20 Q2  
 CIRCUITRY PATENTS APPLIED FOR AND PENDING  
 EXPORT PWR. TRANS. # 70516735  
 DOMESTIC PWR. TRANS. # 70500117  
 OUTPUT TRANS. # 70500117

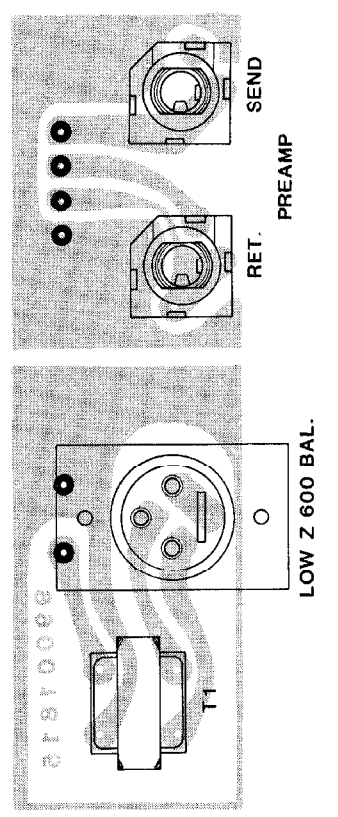
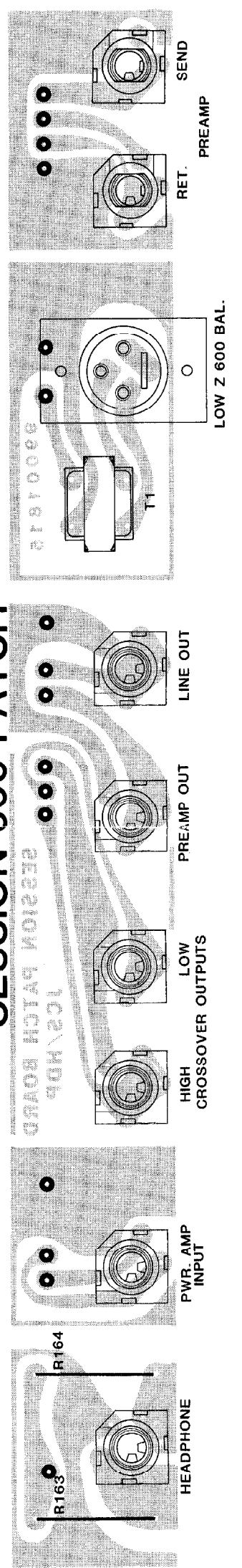


REVISED 7/30/81  
 PEAVEY ELECTRONICS CORP.  
 MERIDIAN, MS.  
 DRAWN BY *KEE* DATE 8-12-80  
 C.B. CHECK *KEE*  
 CHECK BY *KEE*  
 APPR. BY *KEE*

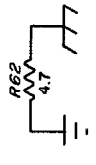
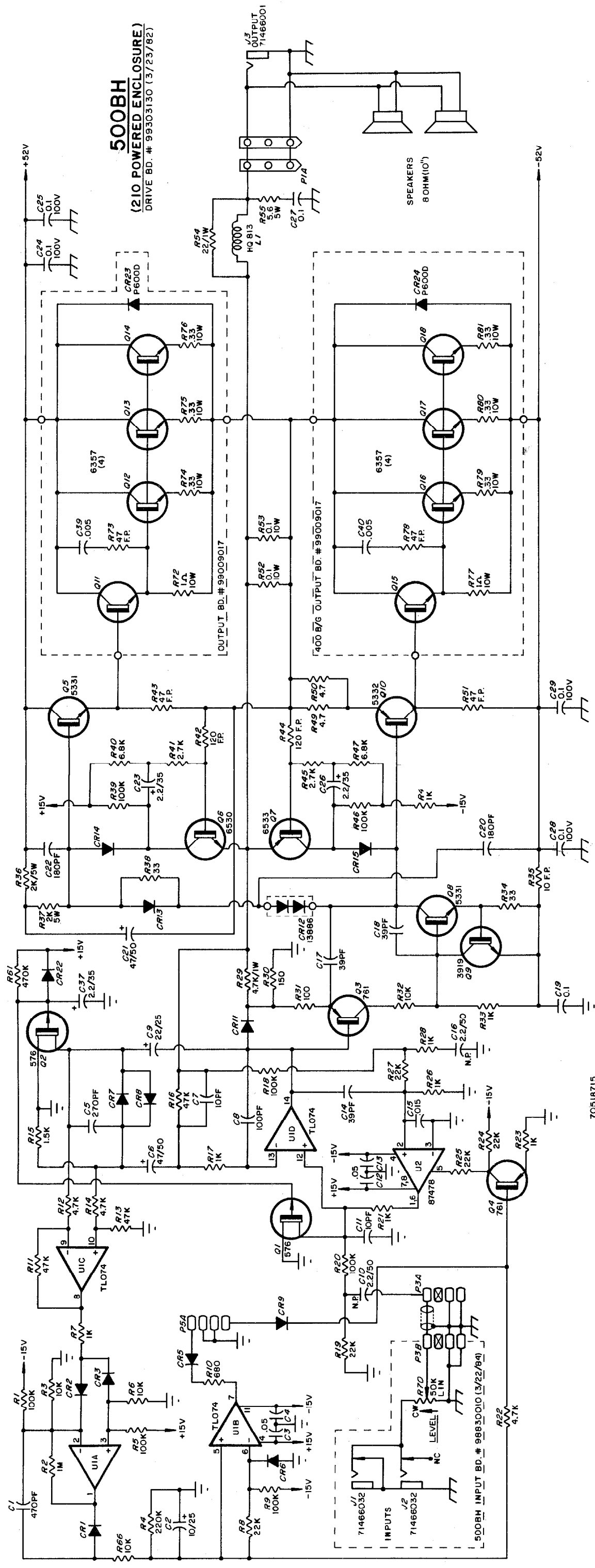
SESSION 500



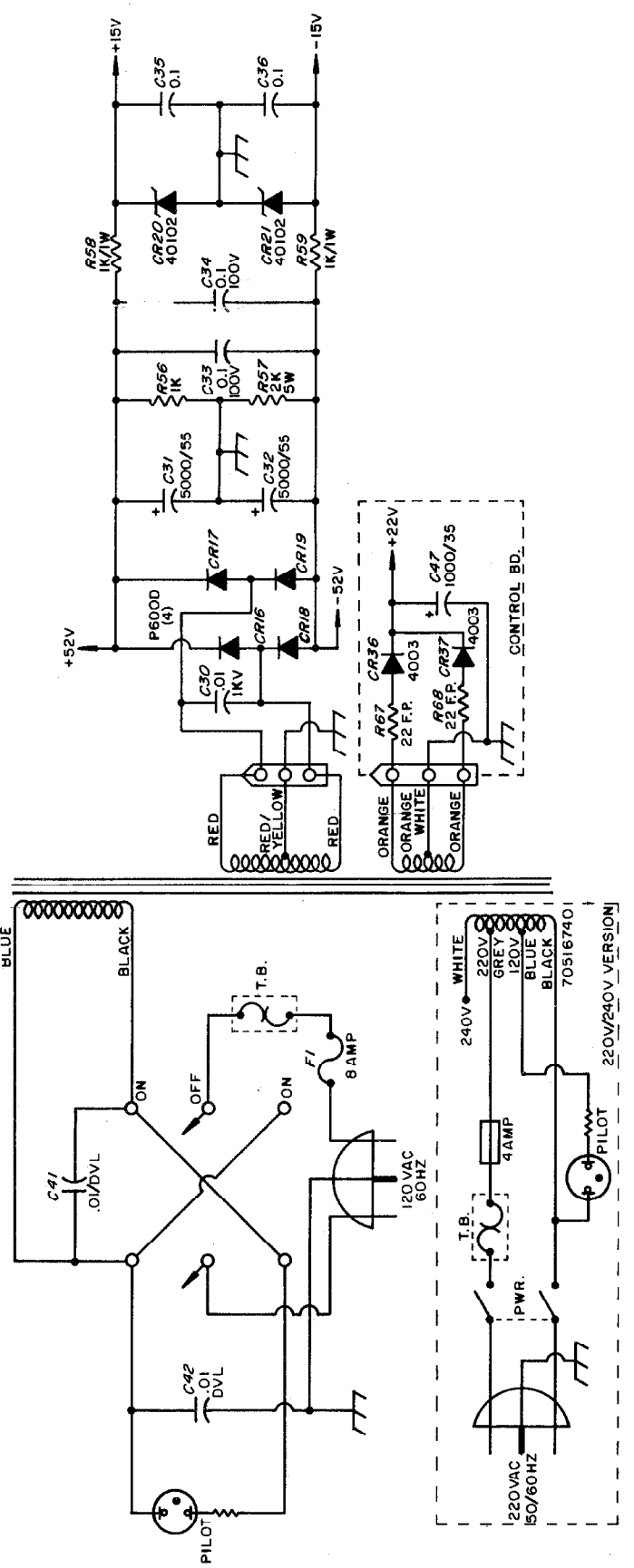
SESSION 500 PATCH BOARD



**500BH**  
 (210 POWERED ENCLOSURE)  
 DRIVE BD. # 99303130 (3/23/82)

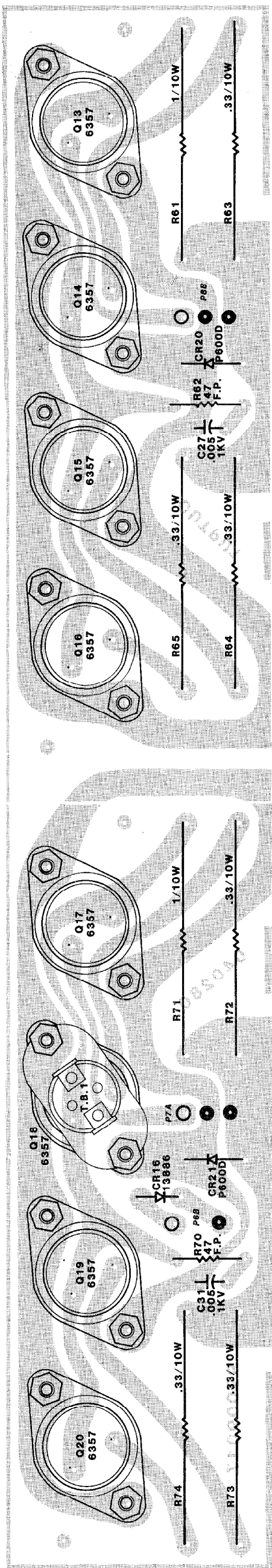
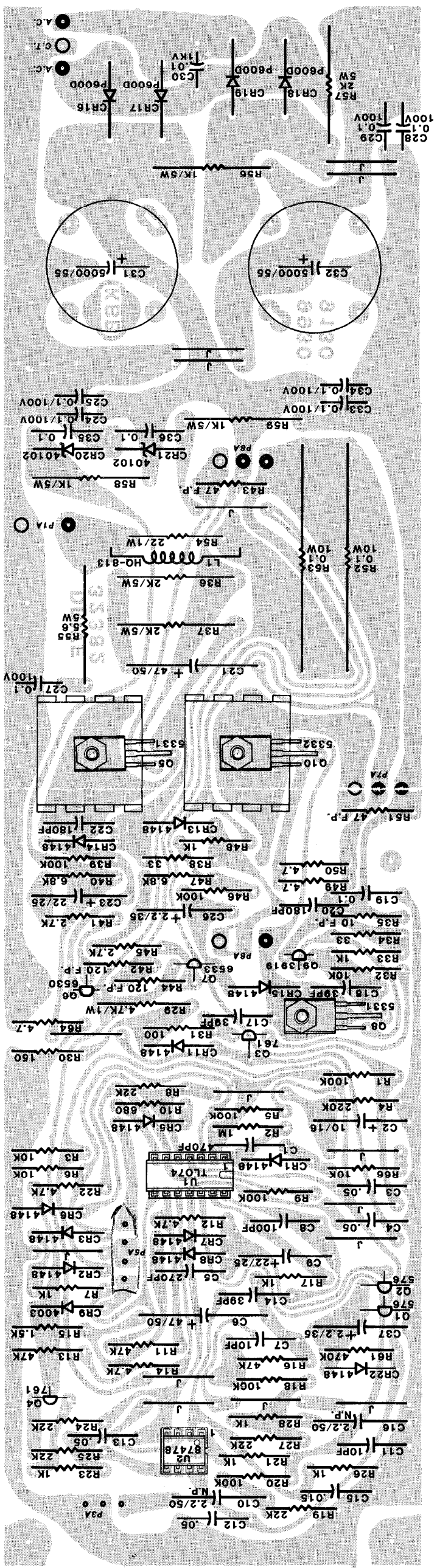


**NOTES**  
 ALL POTS ARE LINEAR UNLESS NOTED  
 ALL RESISTORS 1/4W UNLESS NOTED  
 ALL RESISTORS IN OHMS UNLESS NOTED  
 ALL CAPACITORS IN MFD UNLESS NOTED  
 ALL DIODES IN4148 UNLESS NOTED  
 LAST REF. DESIGNATOR USED:  
 R81 C42 CR24 Q18 U3 J3

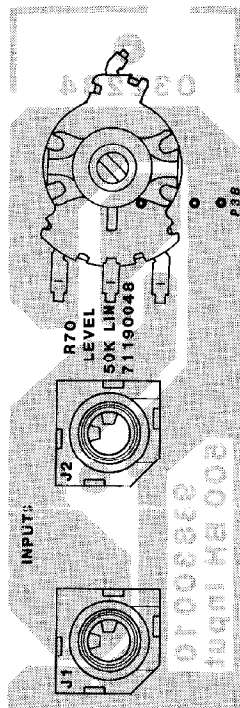




DRIVE BD.



OUTPUT BD.



500BH INPUT BD.