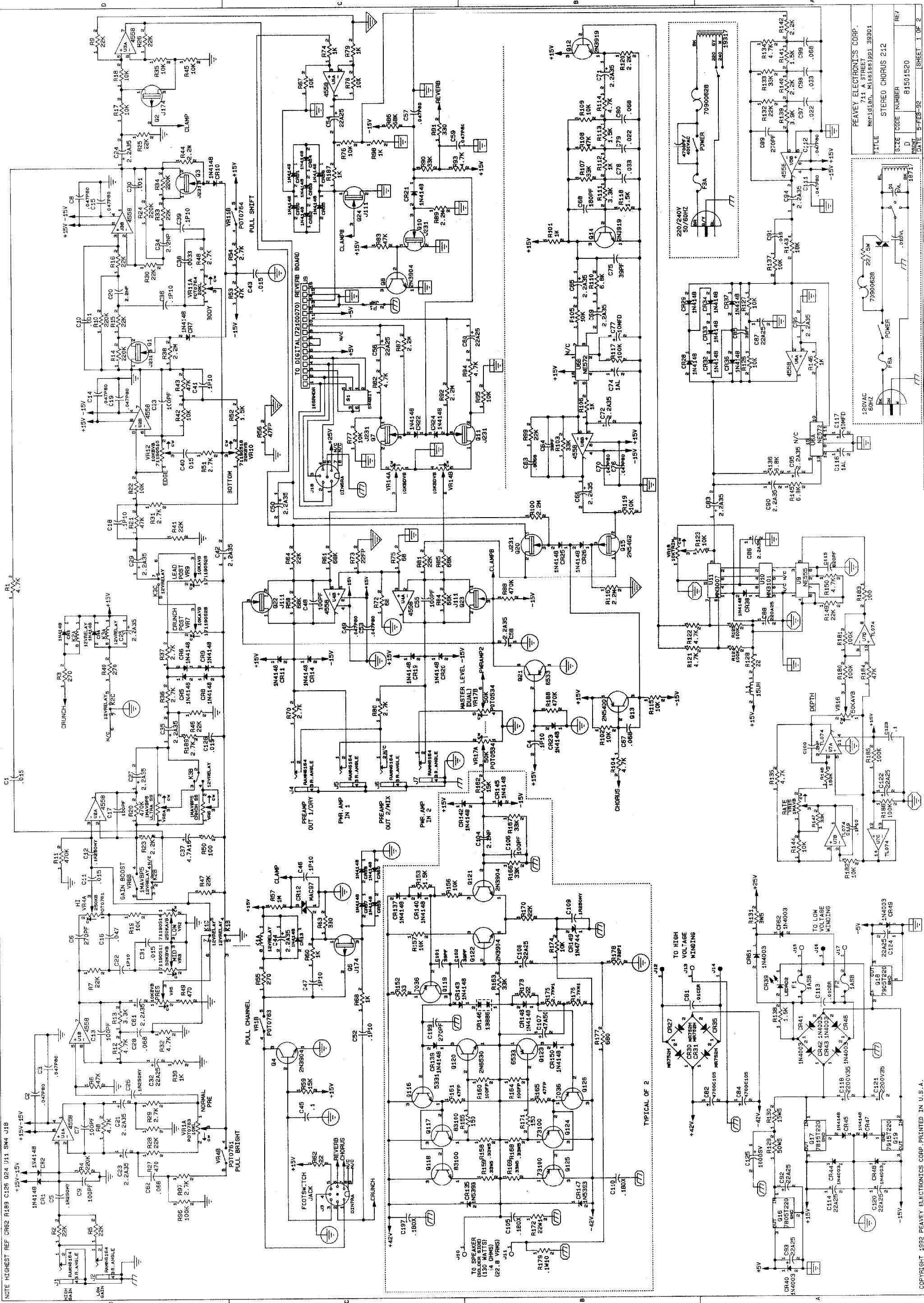
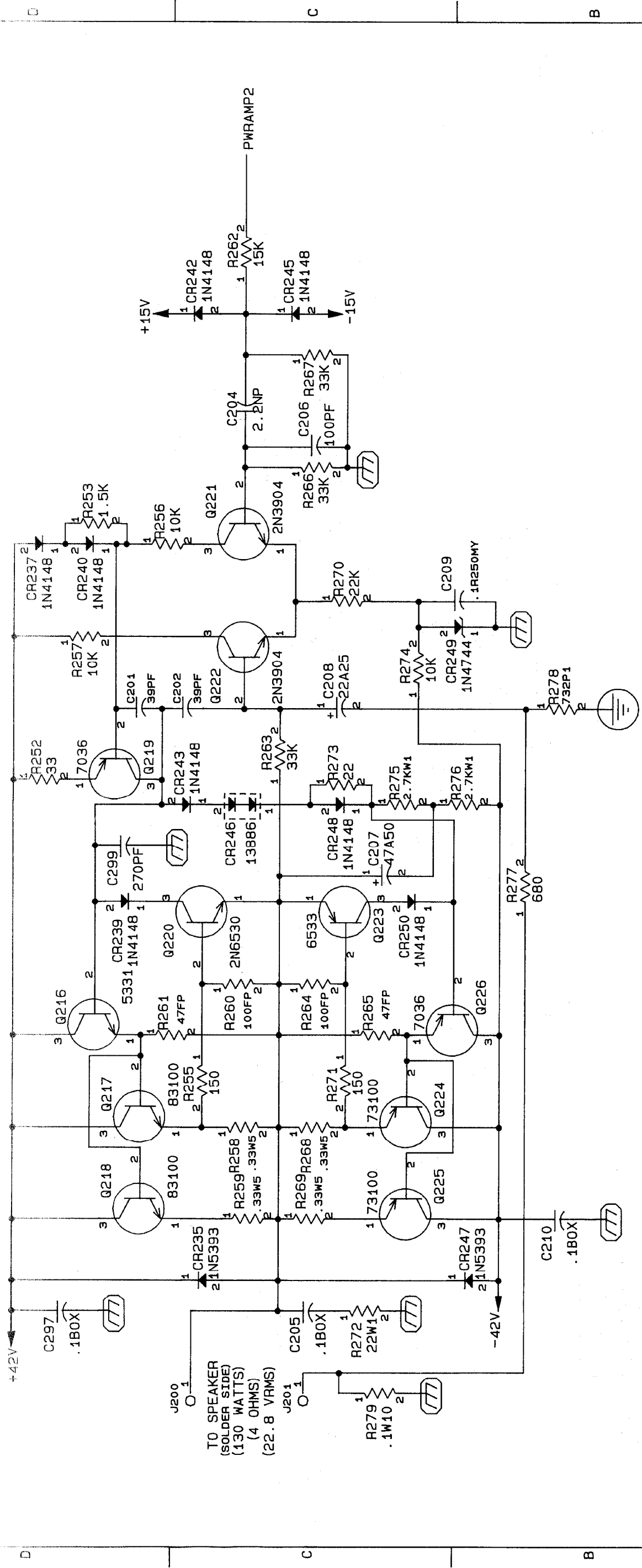


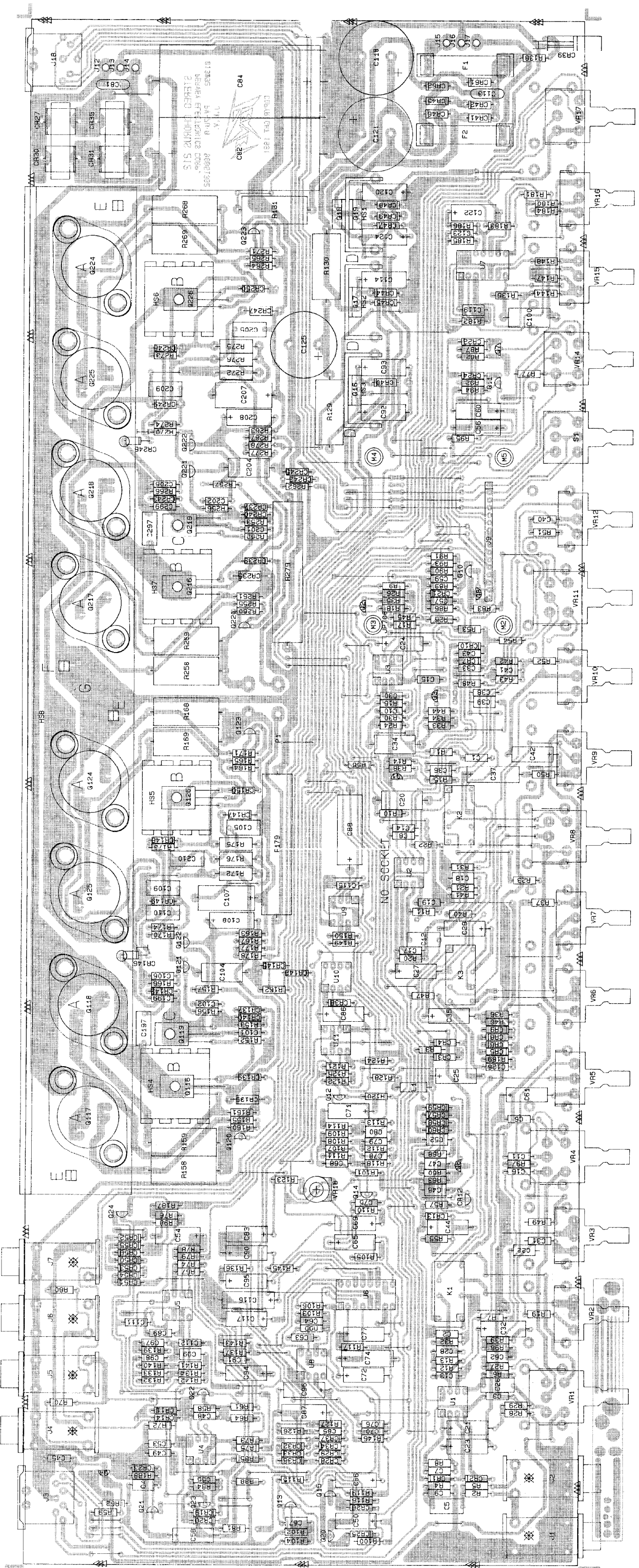
NOTE HIGHEST REF CR2 CR24 J11 5M4 J18





TO SPEAKER
(SOLDER SIDE)
(130 WATTS)
(4 OHMS)
(22.8 VRMS)

PEAVEY ELECTRONICS CORP. 711 A STREET MERIDIAN, MISSISSIPPI 39301	
TITLE	STEREO CHORUS 212
SIZE	CODE
B	PROJECT NUMBER
PRINT	81501520
DATE	REV
14-NOV-90	2
SHEET 2 OF 2	



STEREO CHORUS

Table with columns for part numbers (e.g., C1, C10, C100) and descriptions (e.g., 70340010 .015 MED 1% 50V T/C T&R, 70340016 .01MFD+80-20 50V MON T&R). The table lists various electronic components and their specifications.

Table with columns for part numbers (e.g., 70241097, 70250041) and descriptions (e.g., 15-5W-10% WR-AXL, 3-5W-10% WR-AXL). The table lists various electronic components and their specifications.

Table with columns for part numbers (e.g., 70241097, 70250041) and descriptions (e.g., 15-5W-10% WR-AXL, 3-5W-10% WR-AXL). The table lists various electronic components and their specifications.

Table with columns for part numbers (e.g., 70461418, 70461418) and descriptions (e.g., 1M4148 1M4148 75V 10MA SILICON DIODE, 1M4148 1M4148 75V 10MA SILICON DIODE). The table lists various electronic components and their specifications.

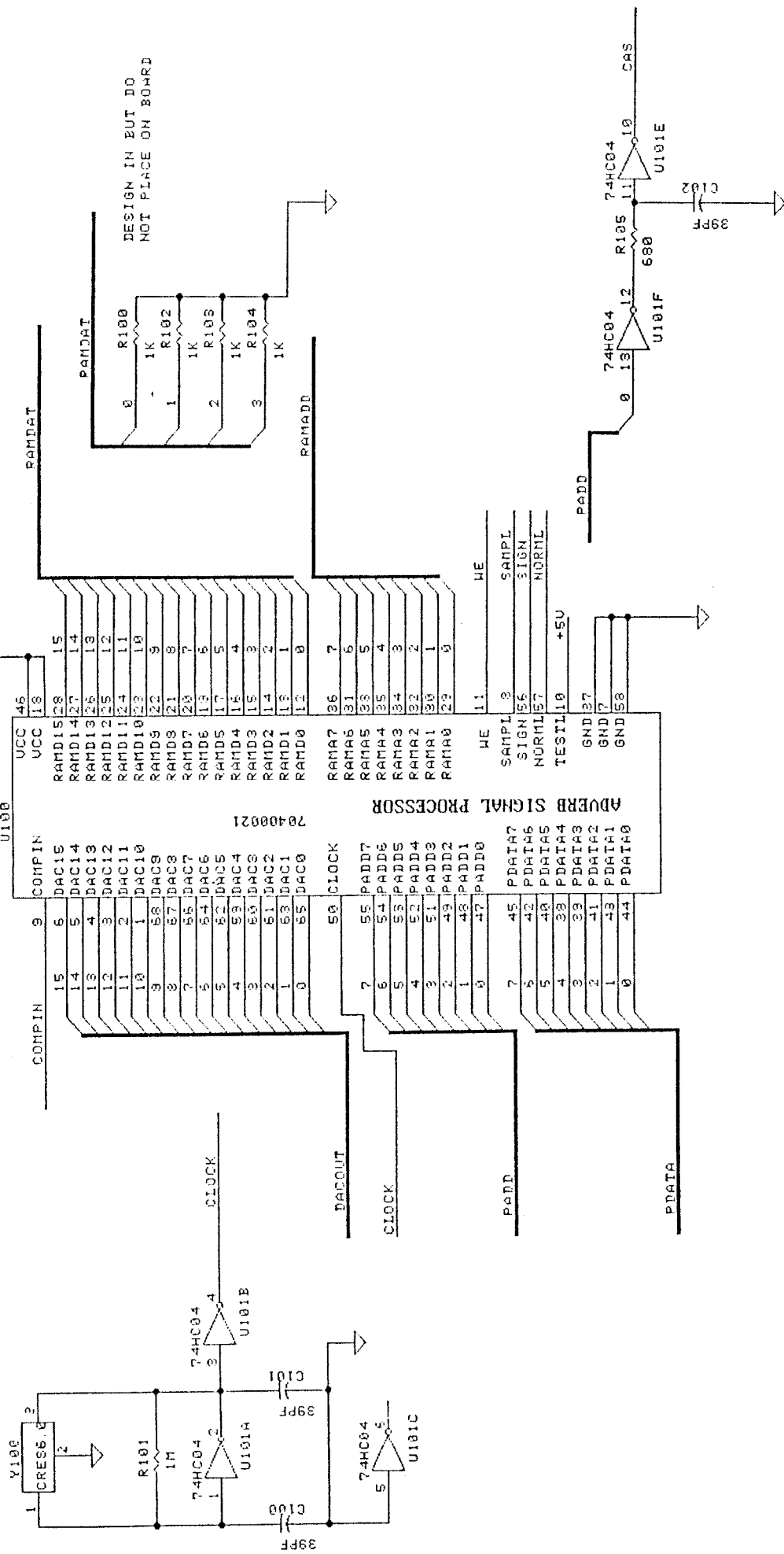
Table with columns for part numbers (e.g., 70241097, 70250041) and descriptions (e.g., 15-5W-10% WR-AXL, 3-5W-10% WR-AXL). The table lists various electronic components and their specifications.

Table with columns for part numbers (e.g., 70241097, 70250041) and descriptions (e.g., 15-5W-10% WR-AXL, 3-5W-10% WR-AXL). The table lists various electronic components and their specifications.

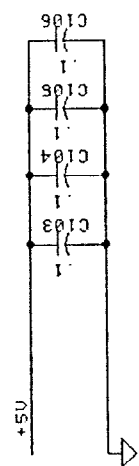
Table with columns for part numbers (e.g., 70241097, 70250041) and descriptions (e.g., 15-5W-10% WR-AXL, 3-5W-10% WR-AXL). The table lists various electronic components and their specifications.

CONFIDENTIAL

Y100 IS CERAMIC RESONATOR THROUGH HOLE PART



DESIGN IN BUT DO NOT PLACE ON BOARD



NOTE HIGHEST REF R105 C106 U101

PEAVEY ELECTRONICS	
711 A STREET	
MERIDIAN MISS. 39301	
TITLE GUITAR REVERB	
SIZE B	CODE NUMBER XXXXXXXXXXXXXX
DATE 5-DEC-87	REV A
SHEET 1 OF 5	

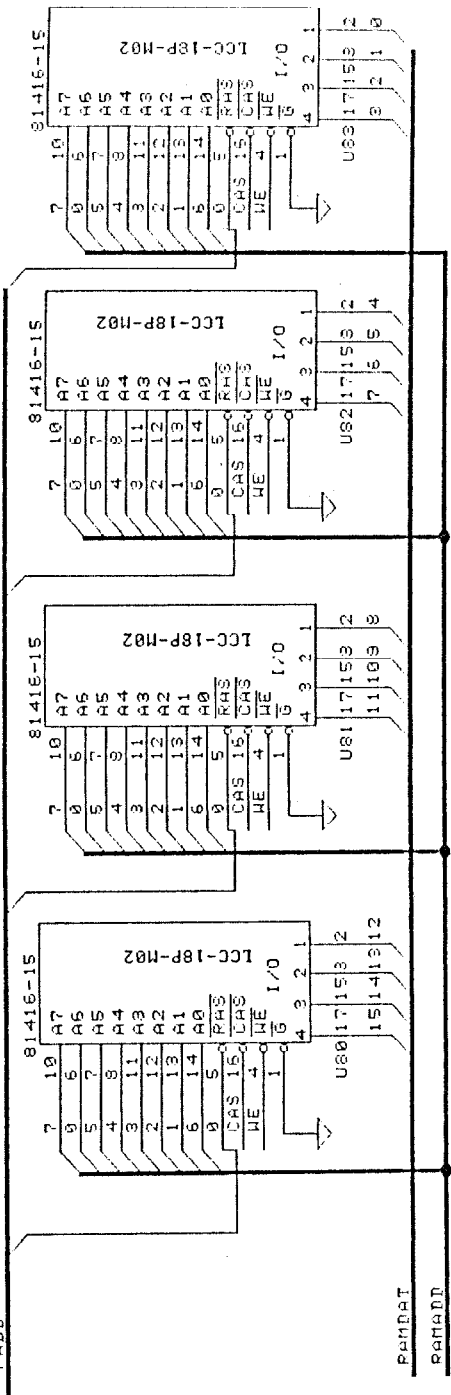
1 2 3 4 5 6 7 8

1 2 3 4 5 6 7 8

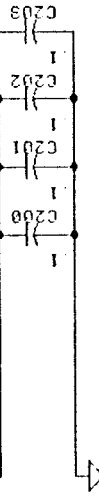
1 2 3 4 5 6 7 8

CONFIDENTIAL

PADD



(THESE CAPS ARE FOR RAM DECOUPLING. 81416 PIN 18 SHOULD BE CONNECTED TO DGND AND PIN 9 TO +5V)



NOTE HIGHEST REF C203. U83

PEAVEY ELECTRONICS
711 A STREET
MERIDIAN MISS. 39301

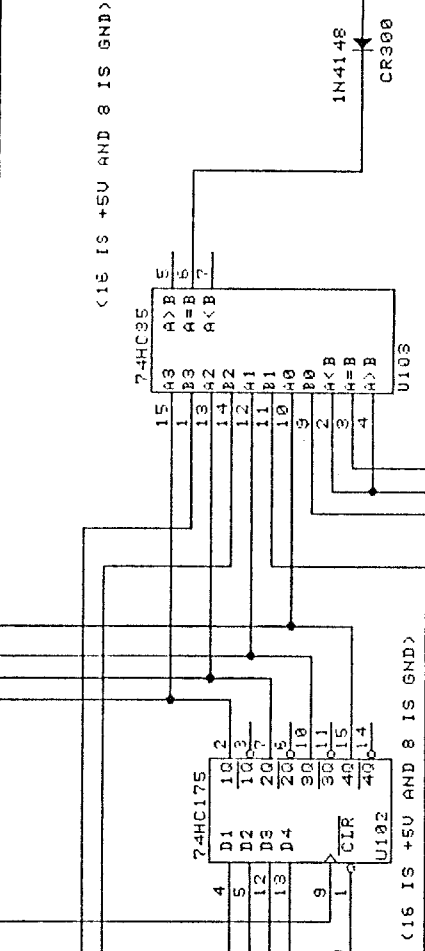
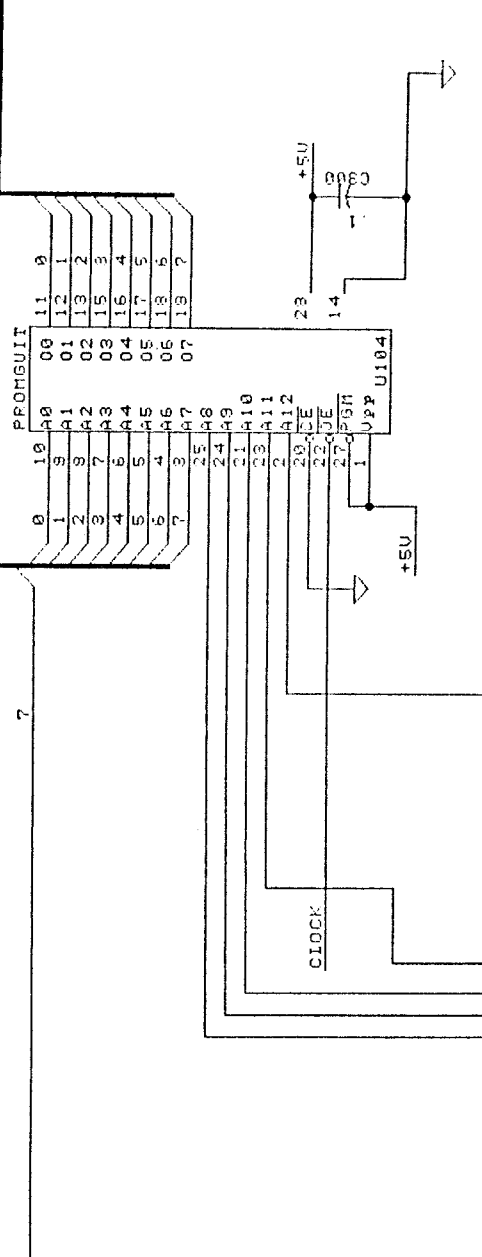
TITLE
16K X 4 MEMORY FOR GUITAR REV

SIZE	CODE	NUMBER	REV
B		xxxxxxxxxxxx	A
DATE	5-DEC-97		SHEET 2 OF 5

1 2 3 4 5 6 7 8

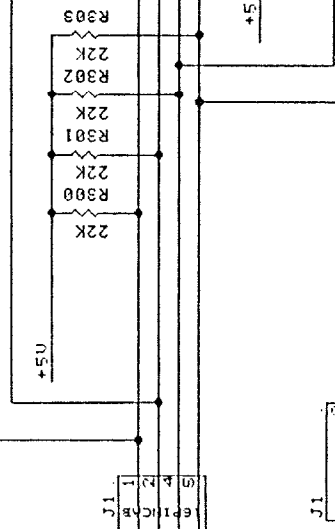
CONFIDENTIAL

PROM IS THROUGH HOLE WITH 28 PIN SOCKET



< 16 IS +5V AND 8 IS GND >

< 16 IS +5V AND 8 IS GND >



PEAVEY ELECTRONICS
 711 A STREET
 MERIDIAN MISS. 39301

TITLE
ALGORITHM PROM FOR GUITAR REV

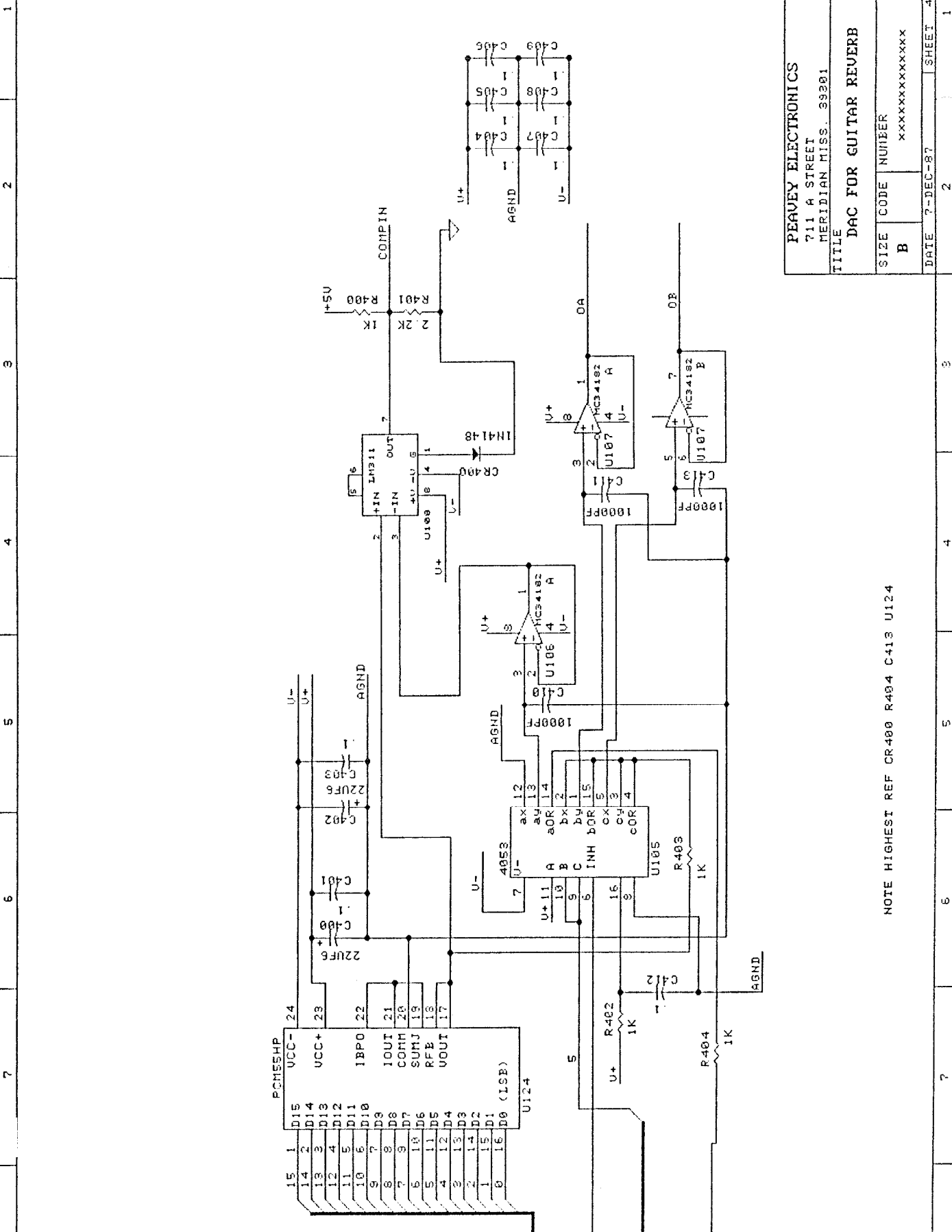
SIZE	NUMBER	REV
B	XXXXXXXXXXXXX	A

DATE 7-DEC-87 SHEET 3 OF 5

NOTE HIGHEST REF CR300 R305 C301 U104 J1

8 7 6 5 4 3 2 1

3 2 1



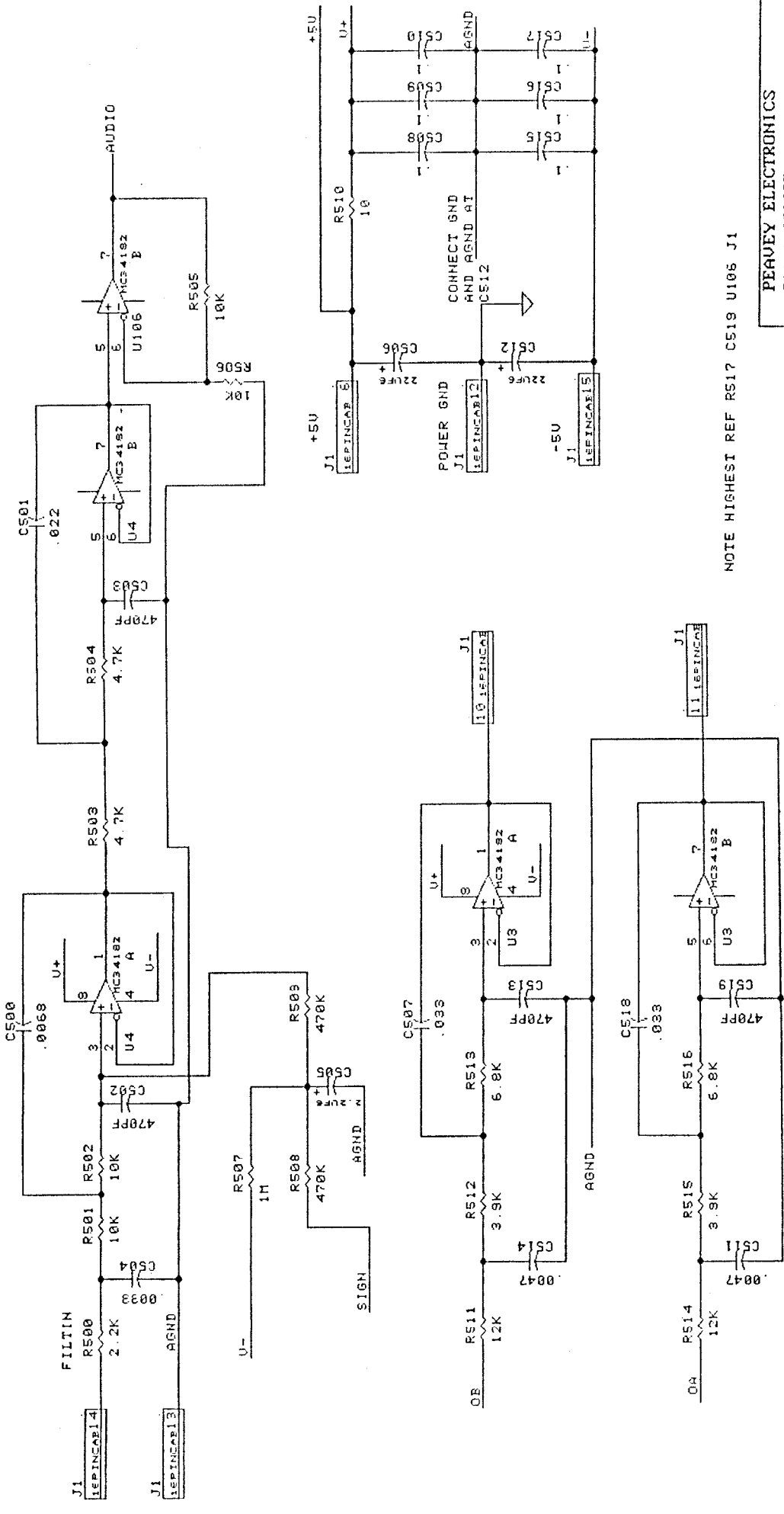
NOTE HIGHEST REF CR400 R404 C413 U124

PEAVEY ELECTRONICS
 711 A STREET
 MERIDIAN MISS. 39201

TITLE
 DAC FOR GUITAR REVERB

SIZE	CODE	NUMBER	REV
B		xxxxxxxxxxxx	A
DATE	7-DEC-87		SHEET 4 OF 5

CONFIDENTIAL



NOTE HIGHEST REF RS17 C519 U106 J1

PEAVEY ELECTRONICS 711 A STREET MERIDIAN MISS. 39301	
TITLE INPUT FILTER 12K GUITAR REVERB	
SIZE B	CODE NUMBER XXXXXXXXXXXXX
REU	A
DATE 7-DEC-97	SHEET 5 OF 5

RS17 IS TO BE DESIGNED IN BUT NOT PLACED ON BOARD AT THIS TIME

