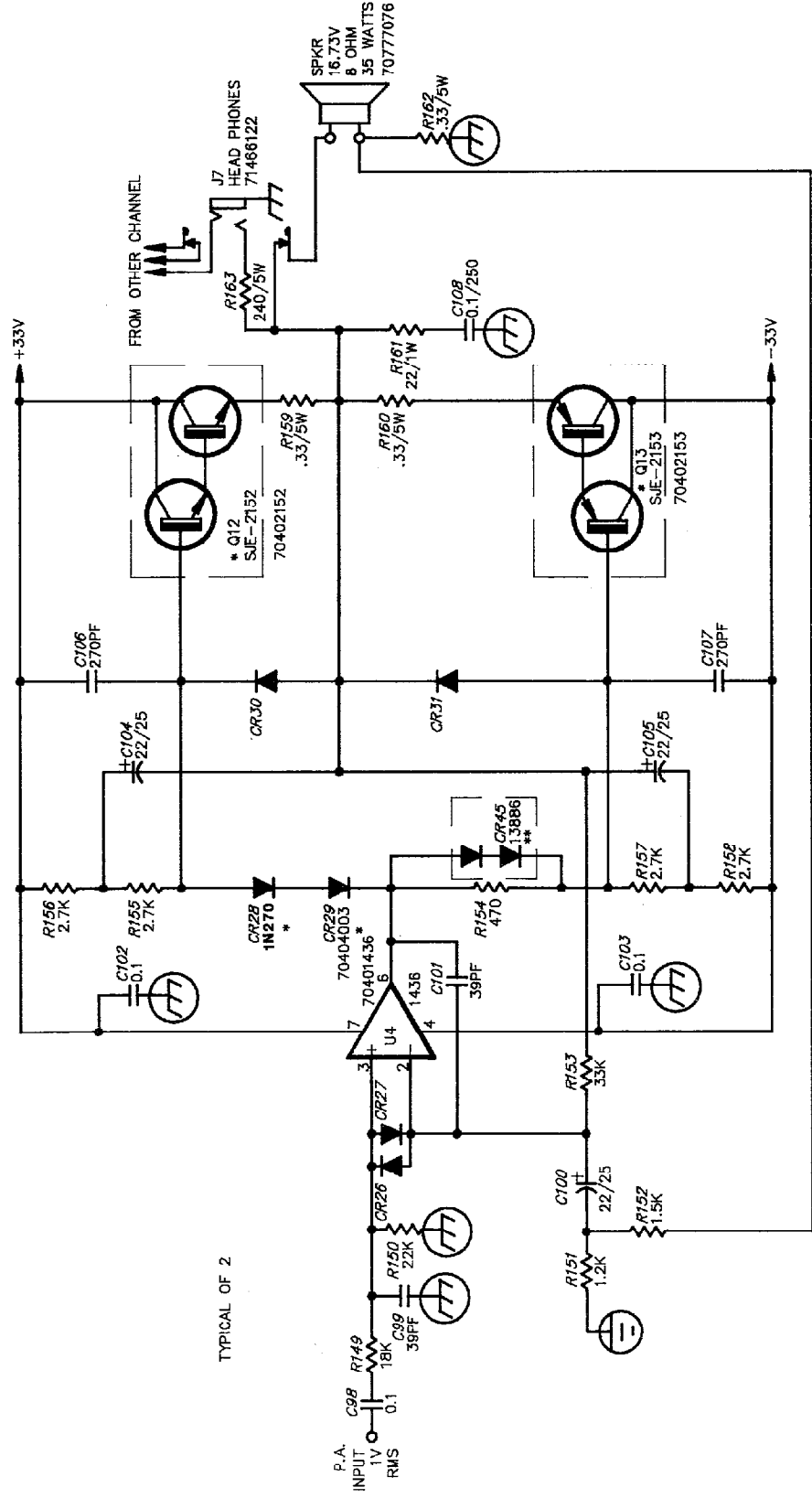


NOTES
 ALL RESISTORS 1/4W UNLESS NOTED
 ALL RESISTORS IN OHMS UNLESS NOTED
 ALL POTS ARE LINEAR UNLESS NOTED
 ALL CAPACITORS IN MFD UNLESS NOTED
 ALL DIODES 1N4148 UNLESS NOTED
 VOLTAGES MAY VARY FROM UNIT TO UNIT
 LAST REFERENCE DESIGNATOR USED:
 * MOUNTED ON HEATSINK
 ** MOUNTED CN 2153
 TAB OF 2152 AND 2153 MUST BE ISOLATED FROM HEATSINK

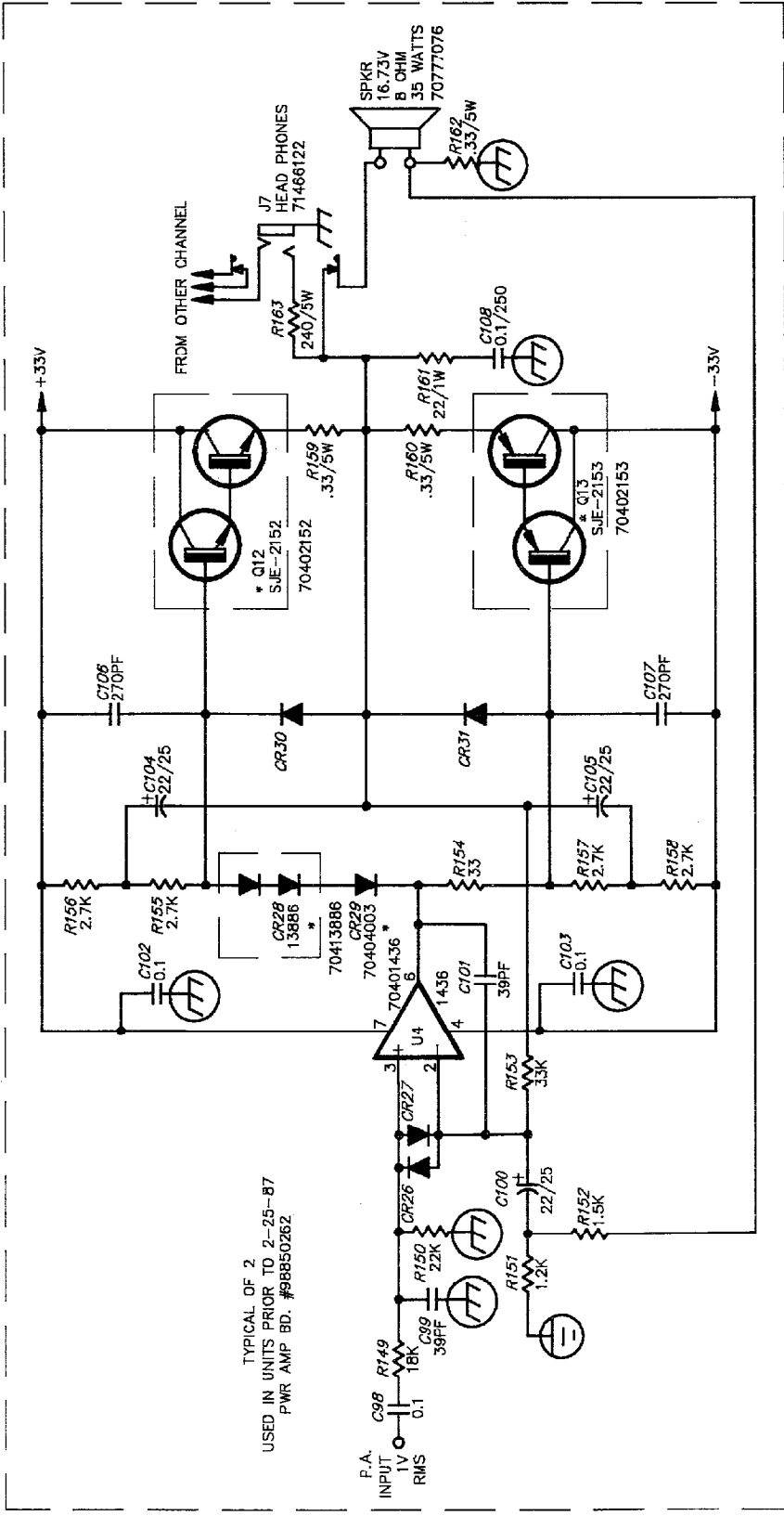
STUDIO CHORUS™ 70

STEREO SERIES

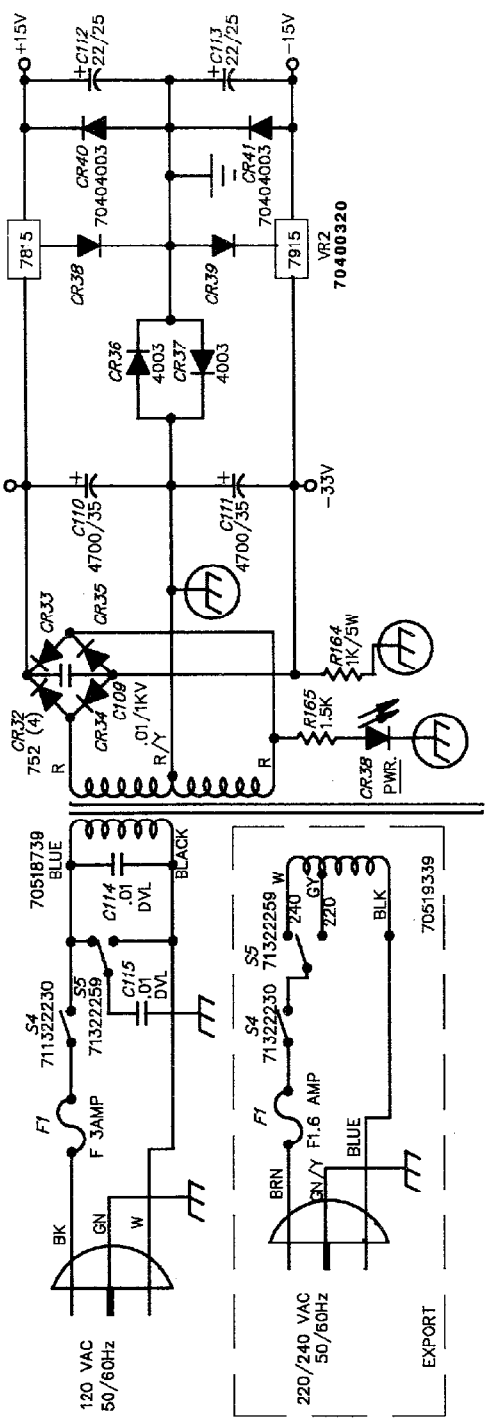
CHORUS BD. #98850461
 PWR AMP BD. #98850262 (PRE 2-25-87)
 PWR AMP BD. #98850263

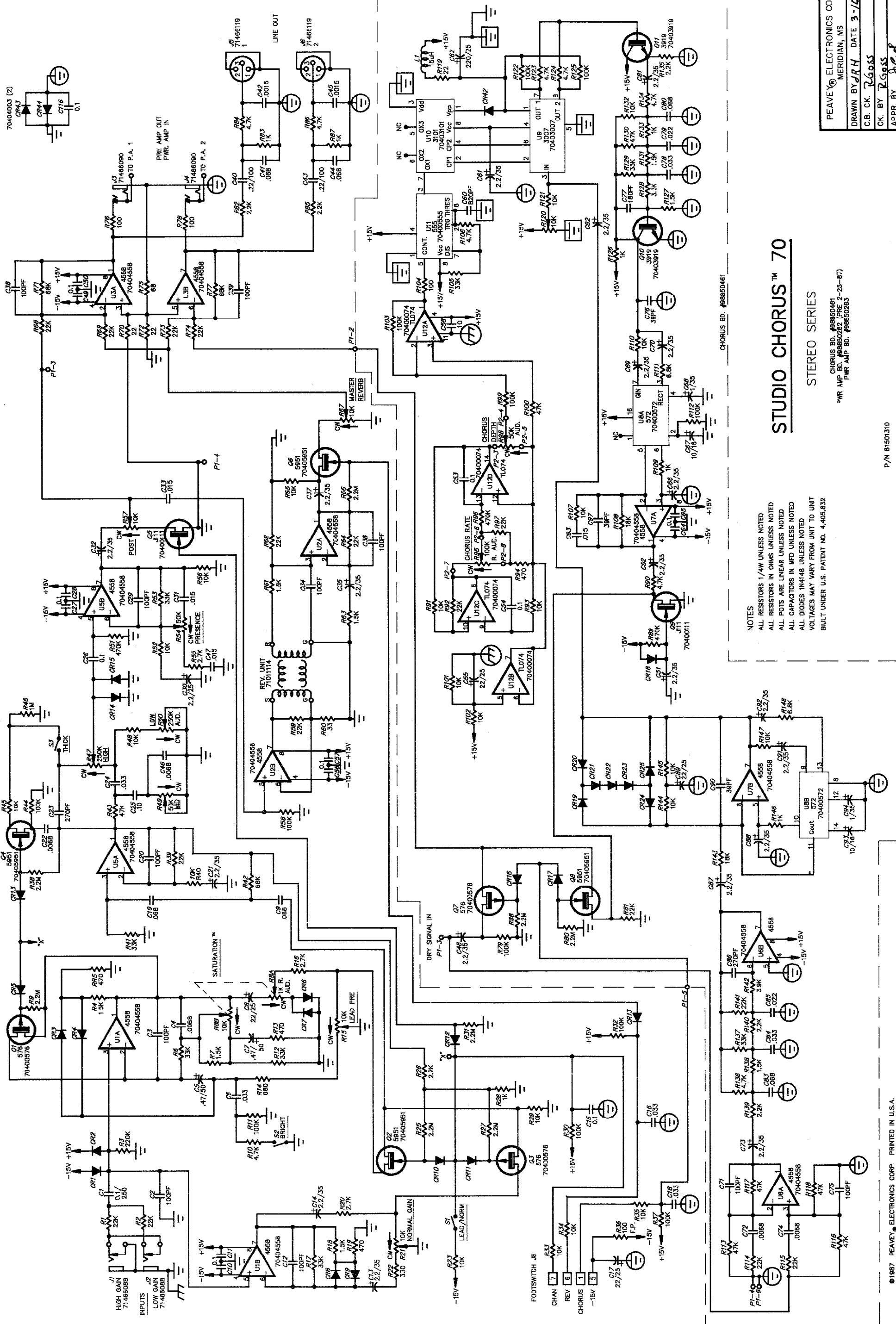


TYPICAL OF 2



TYPICAL OF 2
 USED IN UNITS PRIOR TO 2-25-87
 PWR AMP BD. #98850262





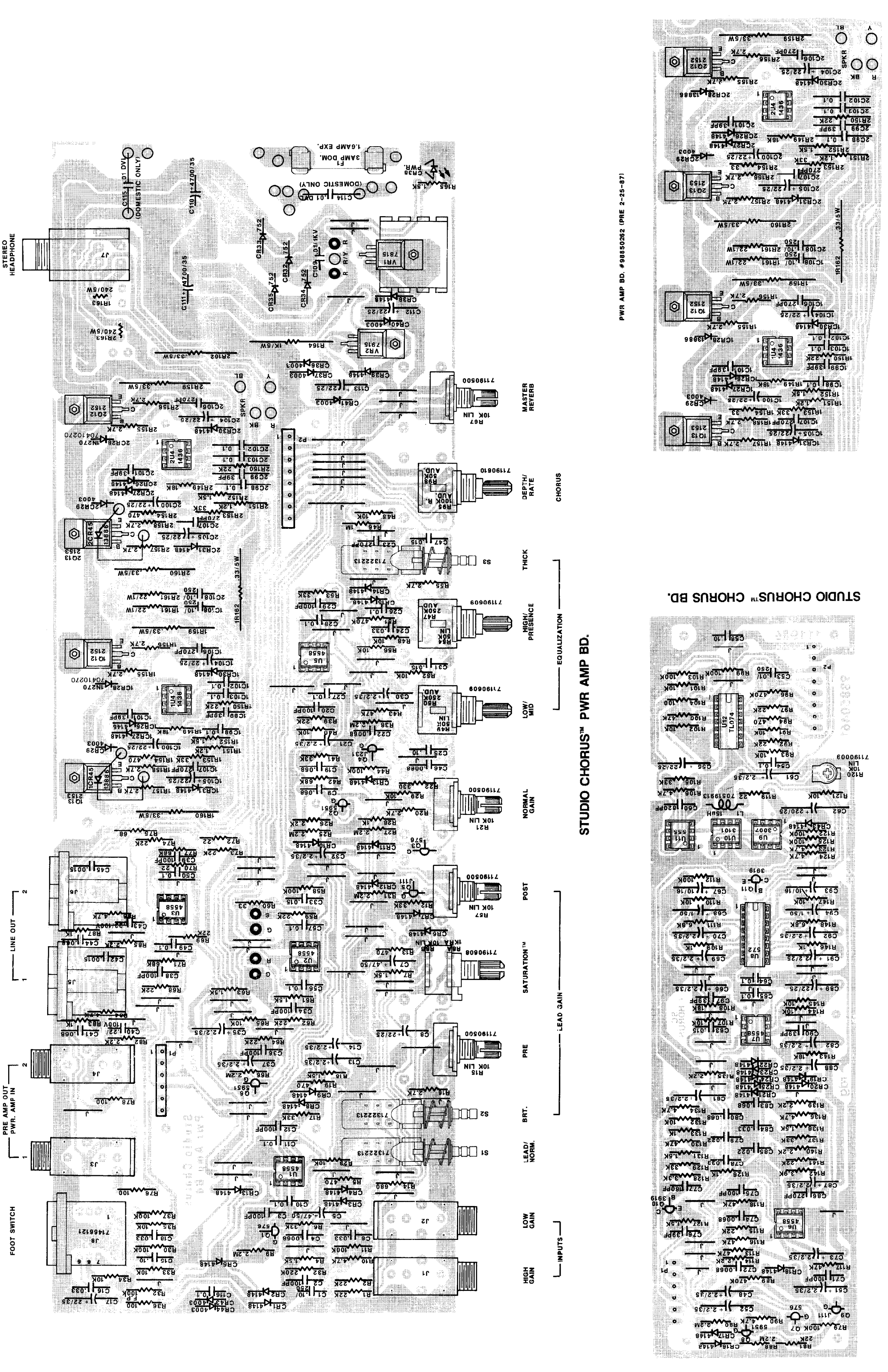
NOTES
 ALL RESISTORS 1/4W UNLESS NOTED
 ALL POTIS ARE OHMS UNLESS NOTED
 ALL CAPACITORS IN MFD UNLESS NOTED
 ALL DIODES 1N4148 UNLESS NOTED
 VOLTAGES MAY VARY FROM UNIT TO UNIT
 BUILT UNDER U.S. PATENT NO. 4,405,832

STUDIO CHORUS™ 70

STEREO SERIES

CHORUS BD. #8850461
 *WR AMP BD. #8850282 (PRE 2-25-87)
 *PR AMP BD. #8850283

PEAVEY ELECTRONICS CORP.
 MERIDIAN, MS
 DRAWN BY JAH DATE 3-10-87
 C.B. CK. R. Goss
 CK. BY R. Goss
 APPR. BY J. Goss



STEREO HEADPHONE

PRE AMP OUT PWR. AMP IN

FOOT SWITCH

LINE OUT

1.6AMP EXP. (DOMESTIC ONLY)

3AMP DOM. (DOMESTIC ONLY)

1.6AMP EXP. (DOMESTIC ONLY)

3AMP DOM. (DOMESTIC ONLY)

MASTER REVERSE

DEPTH/RATE

THICK

HIGH/PRESENCE

LOW/MID

NORMAL GAIN

POST

SATURATION

PRE

BRT.

LEAD/NORM.

LOW GAIN

HIGH GAIN

EQUALIZATION

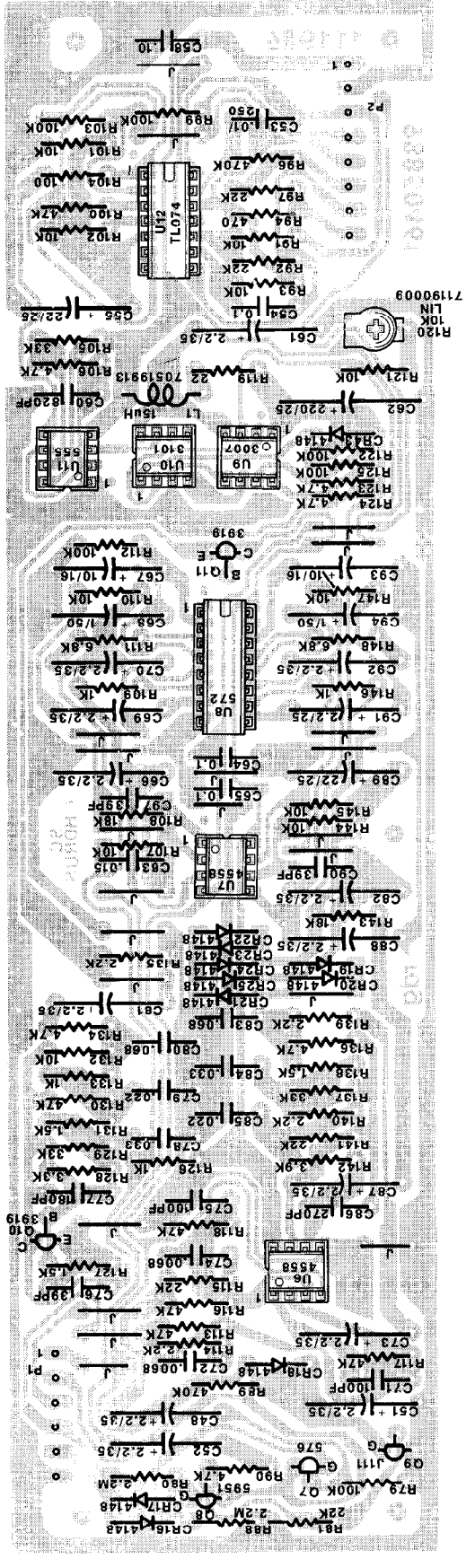
LEAD GAIN

INPUTS

STUDIO CHORUS™ PWR AMP BD.

PWR AMP BD. # 98850262 (PRE 2-25-87)

STUDIO CHORUS™ CHORUS BD.



7190009

10K LIN

10K

10K

10K

10K

10K

10K

10K

10K

10K

10K

10K

10K

10K

10K