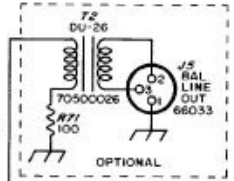
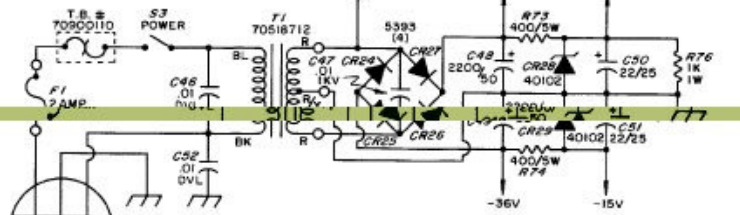
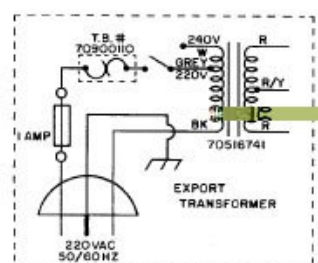
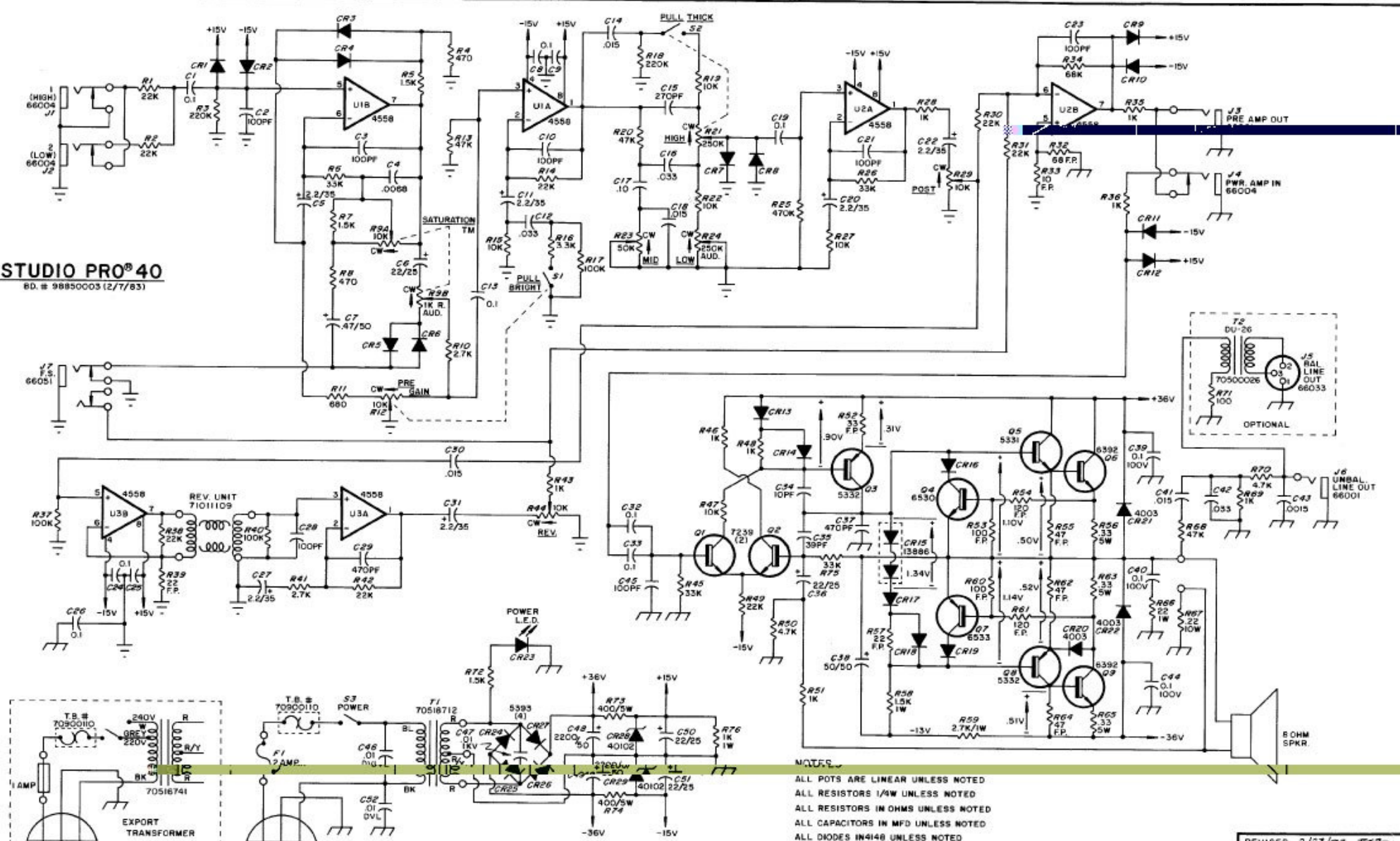


STUDIO PRO® 40
BD. # 9885003 (2/7/83)



NOTES
ALL POTS ARE LINEAR UNLESS NOTED
ALL RESISTORS 1/4W UNLESS NOTED
ALL RESISTORS IN OHMS UNLESS NOTED
ALL CAPACITORS IN MFD UNLESS NOTED
ALL DIODES IN4148 UNLESS NOTED
LAST REF. DESIGNATOR USED:
R76 C52 CR29 Q9 J7 S3 T2 F1
BUILT UNDER U.S. PATENT NO. 4,405,632

REVISED 2/23/83 RRG
PEAVEY® ELECTRONICS CORP
MERIDIAN, MS.
DRAWN BY RRG DATE 5/11/82
C.B. CHECK RRG
CHECK BY CRG, JR.
APPR. BY [Signature]