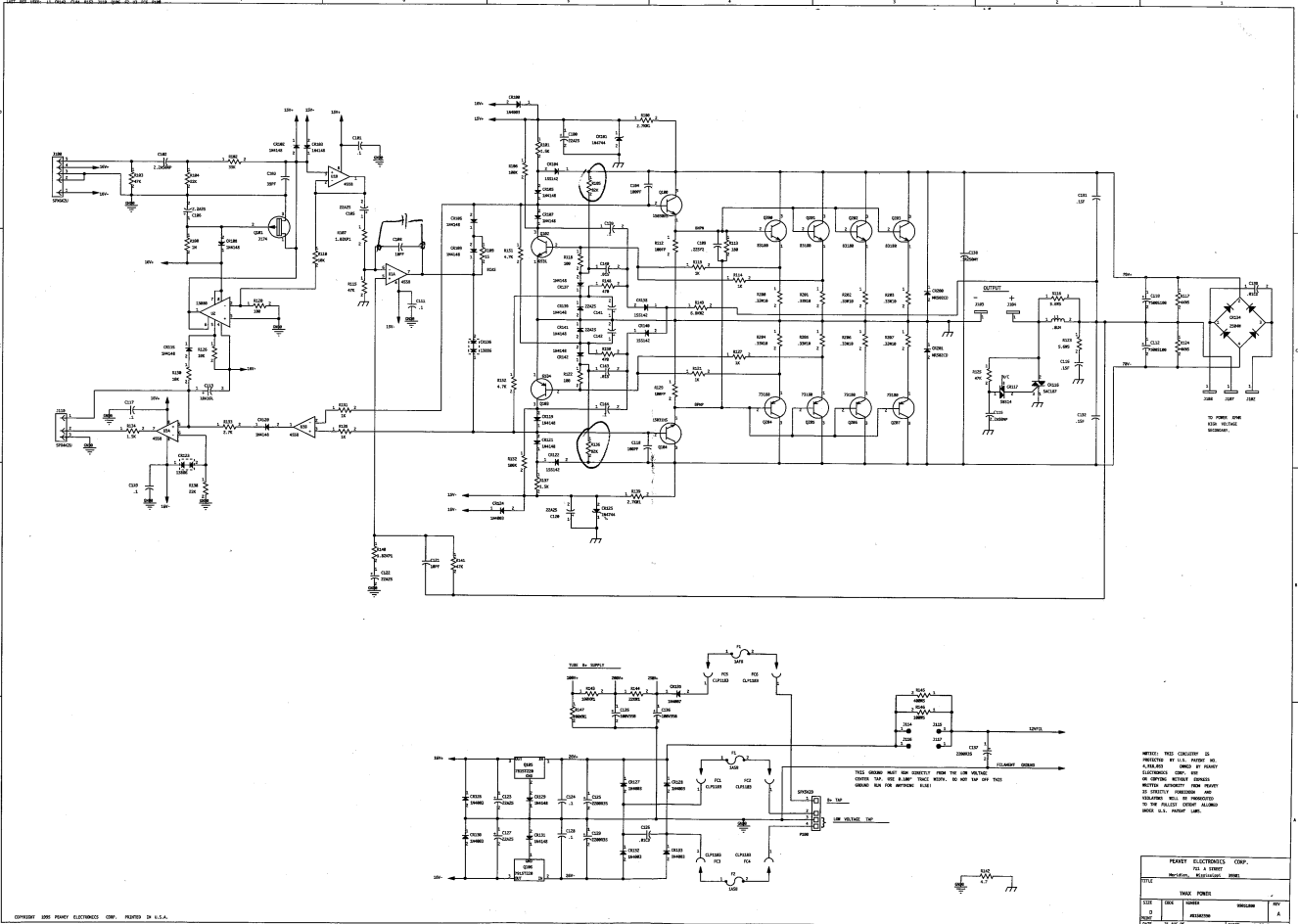


COPYRIGHT 1993 PEAVEY ELECTRONICS CORP. PRINTED IN U.S.A.

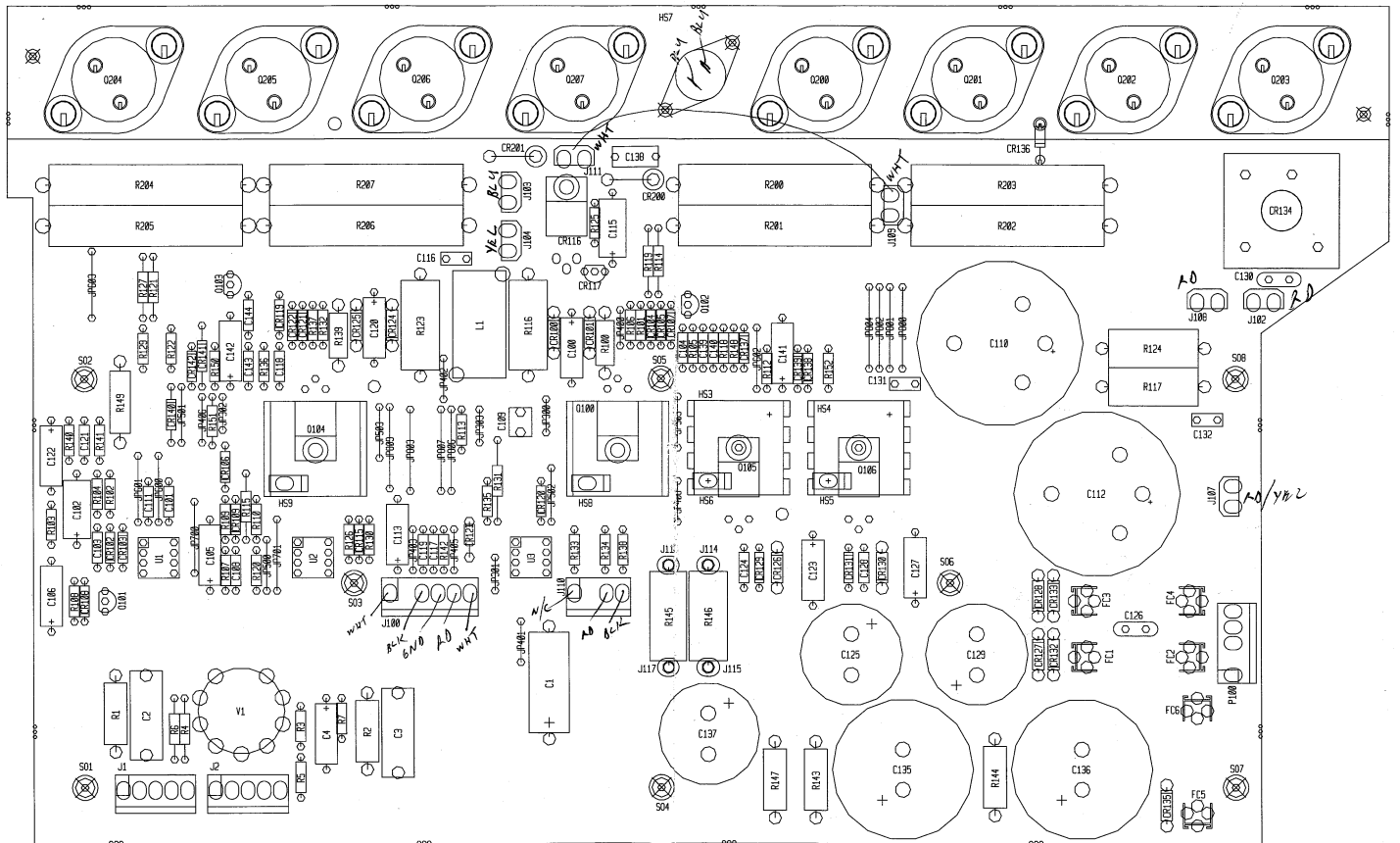
PEAVEY ELECTRONICS
752 N. ST.
WARRILOW, MS 39381

TITLE	T-MAX BASS AMP PREAMP		
SIZE	CODE	NUMBER	REV
C		0001791	A
DATE		04/12/93	
			SHEET 3 OF 3

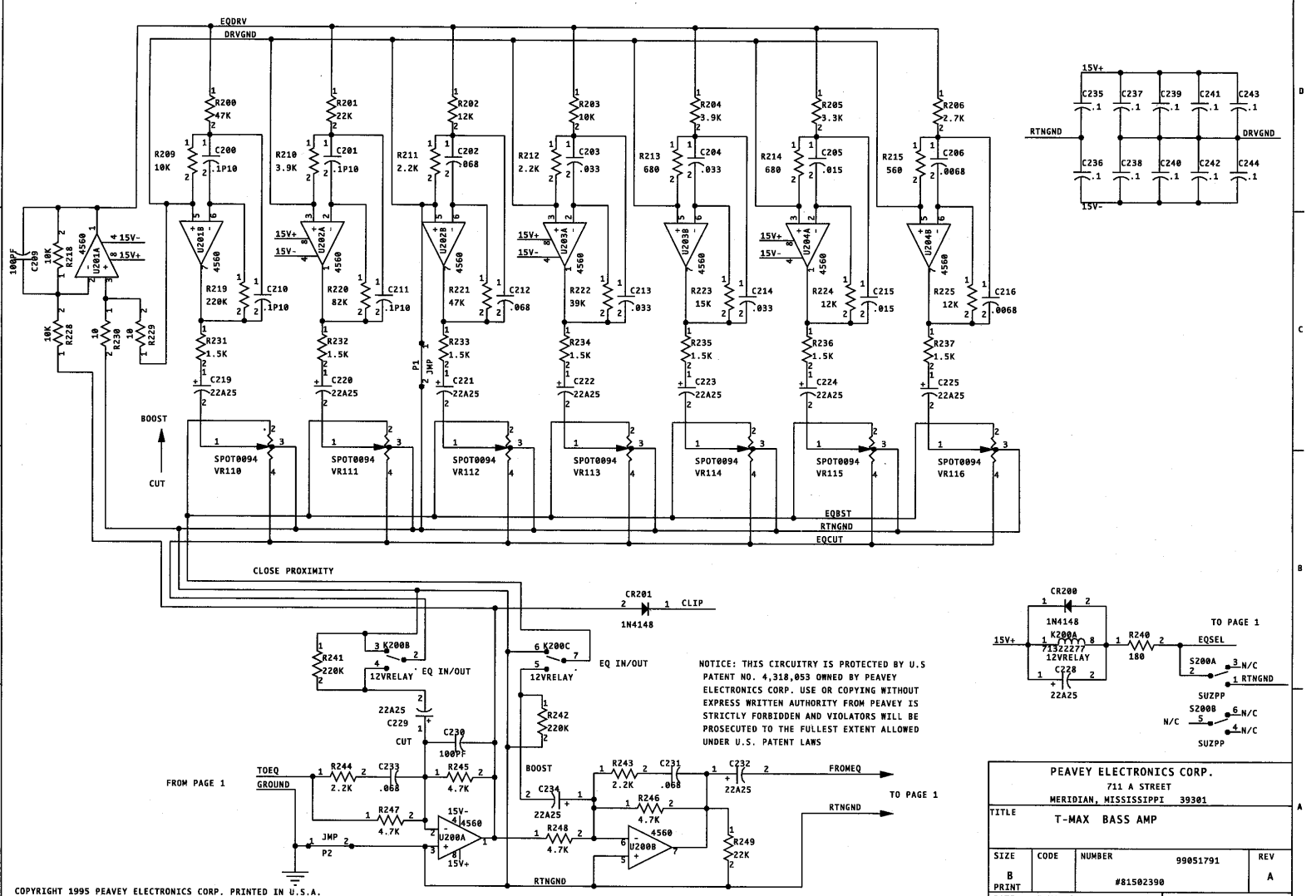


THIS COMPANY AND/OR DIRECTLY FROM THE ORIGINAL
 SUPPLIER FOR THE ORIGINAL PARTS. DO NOT USE ANY OTHER
 PARTS UNLESS SPECIFICALLY NOTED OTHERWISE.

PARTS LIST				
Q1	2N3055	TRANSISTOR	1	1
D1	400V1A	DIODE	4	1
Z1	100V	ZENER	1	1
R1	100Ω	RESISTOR	1	1
R2	100Ω	RESISTOR	1	1
R3	100Ω	RESISTOR	1	1
C1	1000µF	CAPACITOR	1	1
F1	100V1A	FUSE	1	1
F2	100V1A	FUSE	1	1
F3	100V1A	FUSE	1	1
T1	100V	TRANSFORMER	1	1

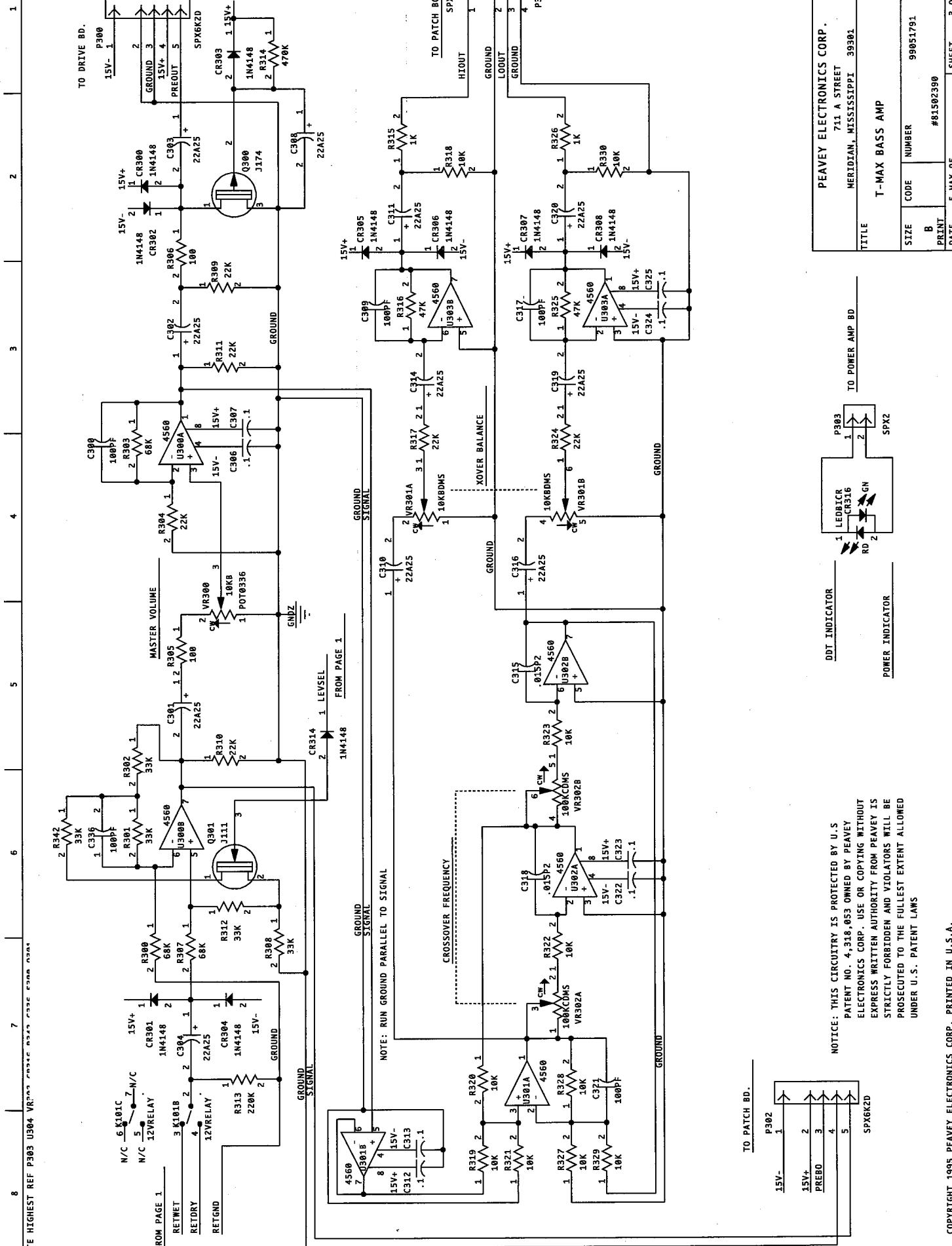


T-MAX POWER BD.

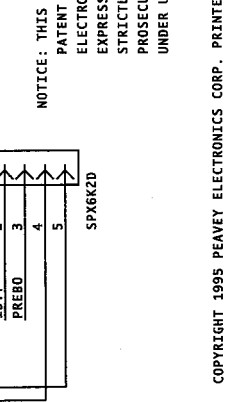
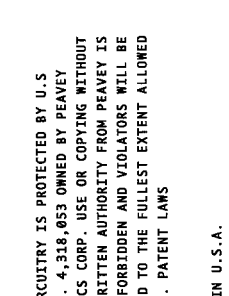
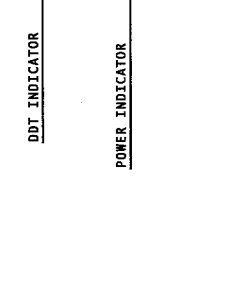
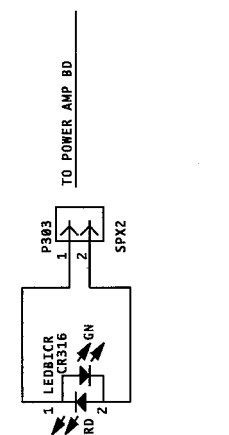


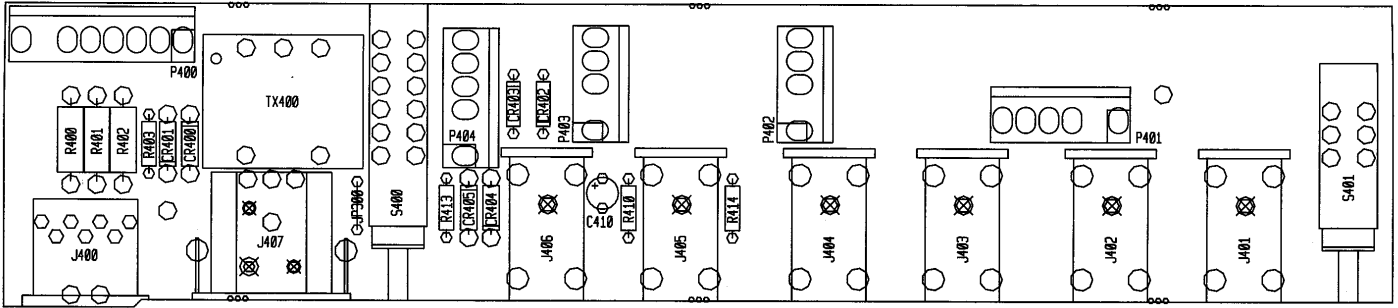
NOTICE: THIS CIRCUITRY IS PROTECTED BY U.S. PATENT NO. 4,318,053 OWNED BY PEAVEY ELECTRONICS CORP. USE OR COPYING WITHOUT EXPRESS WRITTEN AUTHORITY FROM PEAVEY IS STRICTLY FORBIDDEN AND VIOLATORS WILL BE PROSECUTED TO THE FULLEST EXTENT ALLOWED UNDER U.S. PATENT LAWS

PEAVEY ELECTRONICS CORP.			
711 A STREET			
MERIDIAN, MISSISSIPPI 39301			
TITLE T-MAX BASS AMP			
SIZE B	CODE PRINT	NUMBER #81502390	REV A
DATE 5-MAY-95		SHEET 2 OF 3	



PEAVEY ELECTRONICS CORP.	
711 A STREET	
MERIDIAN, MISSISSIPPI 39301	
TITLE	
SIZE	NUMBER
B	99051791
PRINT	#81502390
DATE	REV
5-MAY-95	A
SHEET	3 OF 3

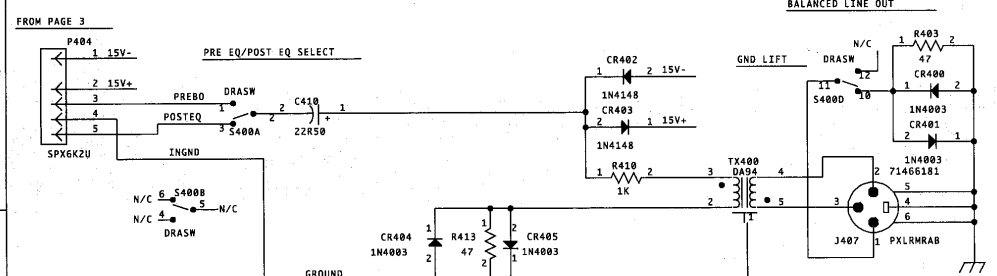
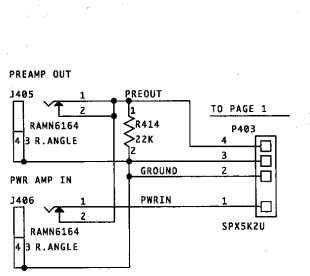
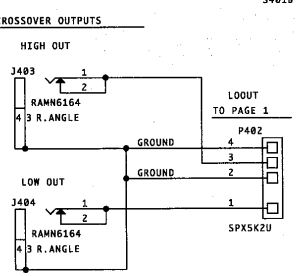
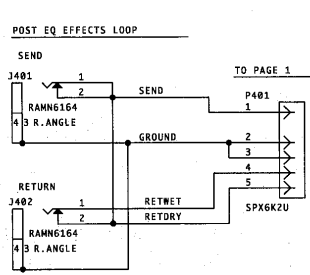
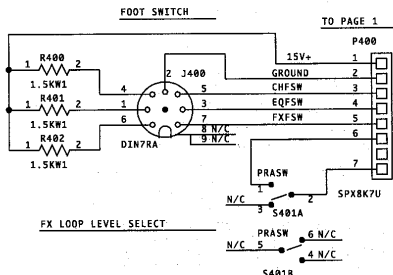




T-MAX PATCH BD.

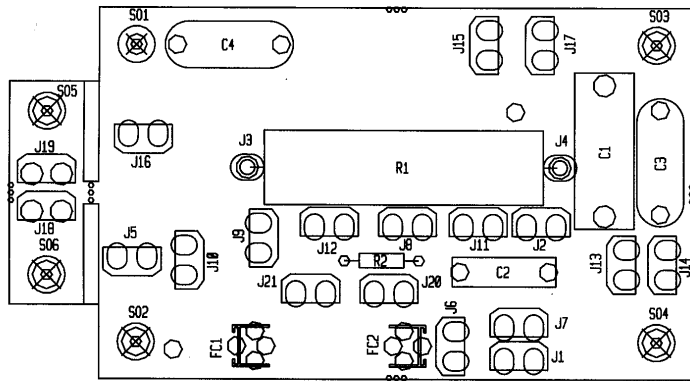
BOARD NAME: TMAXPTCH
 ASSEMBLY LEVEL NUMBER: 99051781

QTY.	NAME	VALUE	PART NUMBER	DESCRIPTION AND DEVICE DESIGNATIONS
1	22R50	22R50	70320181	22MP-208-50VDC-EL-76A C410
2	1N4003	1N4003	70464003	1N4003 200V SILICON DIODE CR400, CR401
2	1N4148	4148	70464148	1N4148 75V 10MA SILICON DIODE CR402, CR403
2	1N4003	1N4003	70464003	1N4003 200V SILICON DIODE CR404, CR405
1	DIN78A	71466226	71466226	CONN 7P R/A PCMT DIN W/ 4 MNT. HOLES J400
6	RAMN6164	71466164	71466164	JK R/A 12.5MM NIN MONO -88 J401, J402, J403, J404, J405, J406
1	PXLRMRAB	71466181	71466181	XLB CONN R/A MALE W/BRKT J407
1	SPX8K7U	SPX8K7U	XXXXXXXX	7 EACH OF STAKE PINS P400
1	SPX6K2U	SPX6K2U	XXXXXXXX	5 EACH OF STAKED PINS P401
2	SPX5K2U	SPX5K2U	73717003	4 EACH STAKED PINS P402, P403
1	SPX6K2U	SPX6K2U	XXXXXXXX	5 EACH OF STAKED PINS P404
3	1.5KW1	1.5KW1	70210007	1.5K-1W-58-MO-T6R R400, R401, R402
1	47	47	70240008	47-1/4W-58-CF-T6R R403
1	1K	1K	70240017	1K-1/4W-58-CF-T6R R410
1	47	47	70240008	47-1/4W-58-CF-T6R R411
1	22K	22K	70240029	22K-1/4W-58-CF-T6R R414
1	DRASW	DRASW	71322256	PC MNT SWITCH DUAL S400
1	PRASN	PRASN	71322289	DEDT P/P CB MNT SWITCH S401
1	DA94	DA94	70500094	OUTPUT TRANSFORMER TX400



NOTICE: THIS CIRCUITRY IS PROTECTED BY U.S. PATENT NO. 4,318,953 OWNED BY PEAVEY ELECTRONICS CORP. USE OR COPYING WITHOUT EXPRESS WRITTEN AUTHORITY FROM PEAVEY IS STRICTLY FORBIDDEN AND VIOLATORS WILL BE PROSECUTED TO THE FULLEST EXTENT ALLOWED UNDER U.S. PATENT LAWS

PEAVEY ELECTRONICS CORP. 711 A STREET MERIDIAN, MISSISSIPPI 39301				
TITLE TMAX PATCH BOARD				
SIZE B	CODE	NUMBER #81502390	99051781	REV A
DATE 5-MAY-95	SHEET 1 OF 1			



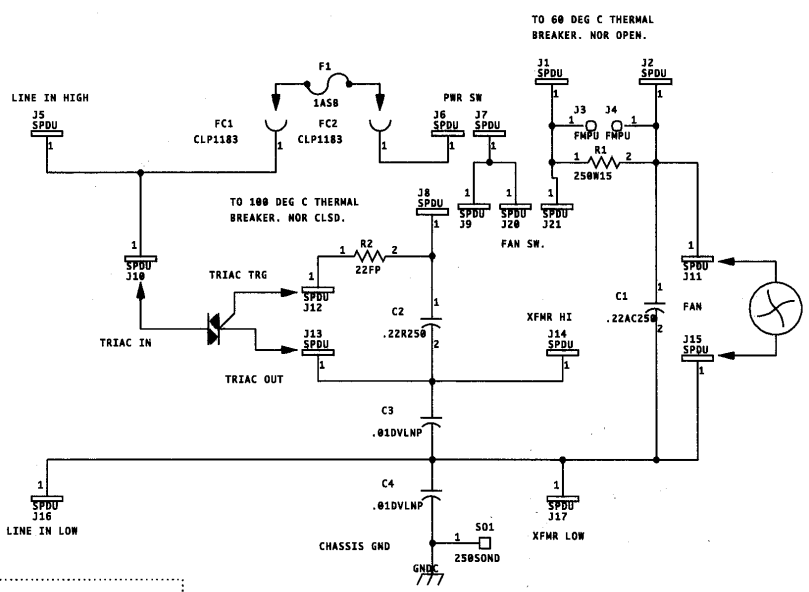
BOARD NAME: T-MAX PR.AMP
 ASSEMBLY LEVEL NUMBER: 99051821

QTY.	PART NAME	VALUE	PART NUMBER	DESCRIPTION AND DEVICE DESIGNATIONS
1	.22AC250	.22AC250	70320161	.22 mfd 20% 250vac my r/a
1	.22R250	.22R250	70320129	.22MFD 10% 250V MY R/W
2	.01DVLNP	.01DVLNP	70320104	.01 MFD 125VDC DVL MYLAR +0-20%
2	CLP1183	CLP1183	70901183	FUSECLIP, PC MT - T&A
2	SPDU	73716194	73716194	.250 FC MNT SPADE .093 PCB
2	FMPU	73711811	73711811	M18-171 C.B. FEMALE MOLEX PIN
17	SPDU	73716194	73716194	.250 FC MNT SPADE .093 PCB
1	250W15	250W15	70250028	250-15W-10% MW-AXL
1	22FP	22FP	70240100	22FP-1/4W-5% -FP-
1	250S0ND	70900915	70900915	4-40 X 1/4 SWAGE SPACER NICKEL
5	250STW	70901856	70901856	SOCR, 1/4,R(84),.187 SW,AL

S01, S02, S03, S04, S05, S06

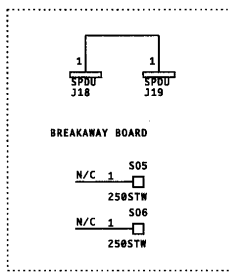
T-MAX PRIMARY AMP BD.

NOTE HIGHEST REF C4 R2 J21 S06 F1 FC2



TO 60 DEG C THERMAL BREAKER. NOR OPEN.

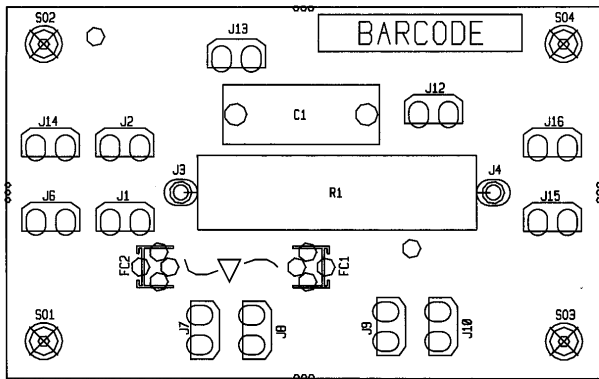
TO 100 DEG C THERMAL BREAKER. NOR CLSD.



NOTICE: THIS CIRCUITRY IS PROTECTED BY U.S. PATENT NO. 4,318,053 OWNED BY PEAVEY ELECTRONICS CORP. USE OR COPYING WITHOUT EXPRESS WRITTEN AUTHORITY FROM PEAVEY IS STRICTLY FORBIDDEN AND VIOLATORS WILL BE PROSECUTED TO THE FULLEST EXTENT ALLOWED UNDER U.S. PATENT LAWS

- N/C 1 S04
- 250STW
- N/C 1 S03
- 250STW
- N/C 1 S02
- 250STW

PEAVEY ELECTRONICS CORP. 711 A STREET MERIDIAN, MISSISSIPPI 39301			
TITLE T-MAX BASS AMP			
SIZE B	CODE PRINT	NUMBER #81502390	REV A
DATE 5-MAY-95		SHEET 1 OF 1	

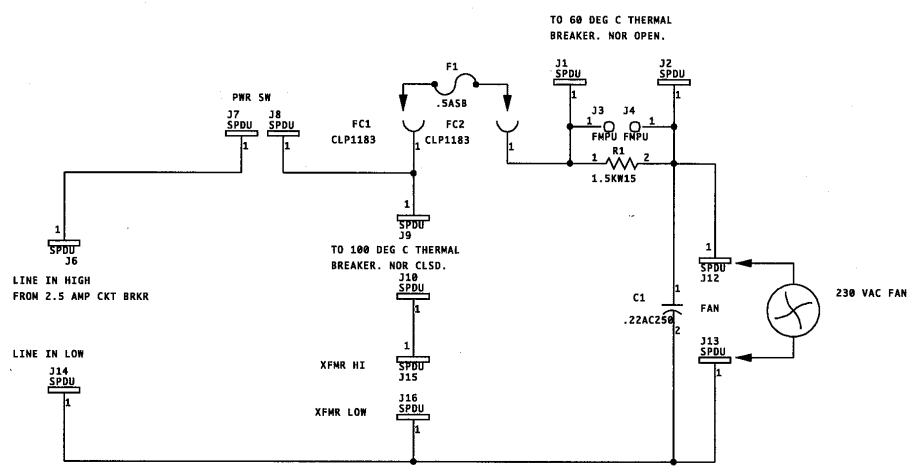


T-Max Primary
220-240V (Export)

BOARD NAME: TMAX230
ASSEMBLY LEVEL NUMBER: 99052330

PART	VALUE	NUMBER	DESCRIPTION AND	
* QTY.	NAME	VALUE	NUMBER	DEVICE DESIGNATIONS *****
1	.22AC250	.22AC250	70320161	.22 mfd 20% 250vac my r/a C1
2	CLP1183	CLP1183	70901183	FUSECLIP, FC MF - T&A FC1, FC2
2	SPDU	73716194	73716194	.250 PC MNT SPADE .093 PCB J1, J2
2	FMPU	73711811	73711811	M18-171 C.B. FEMALE MOLEX PIN J3, J4
10	SPDU	73716194	73716194	.250 PC MNT SPADE .093 PCB J6, J7, J8, J9, J10, J12, J13, J14, J15, J16
1	1.5KW15	1.5KW15	70250068	1500-15W-10%-WW-AXL R1
4	2508TW	70901856	70901856	SPCR, 1/4,R(#4),.187 SW,AL S01, S02, S03, S04

NOTE HIGHEST REF C1 R1 J18 S06 F1 FC2



NOTICE: THIS CIRCUITRY IS PROTECTED BY U.S. PATENT NO. 4,318,053 OWNED BY PEAVEY ELECTRONICS CORP. USE OR COPYING WITHOUT EXPRESS WRITTEN AUTHORITY FROM PEAVEY IS STRICTLY FORBIDDEN AND VIOLATORS WILL BE PROSECUTED TO THE FULLEST EXTENT ALLOWED UNDER U.S. PATENT LAWS

COPYRIGHT 1995 PEAVEY ELECTRONICS CORP. PRINTED IN U.S.A.

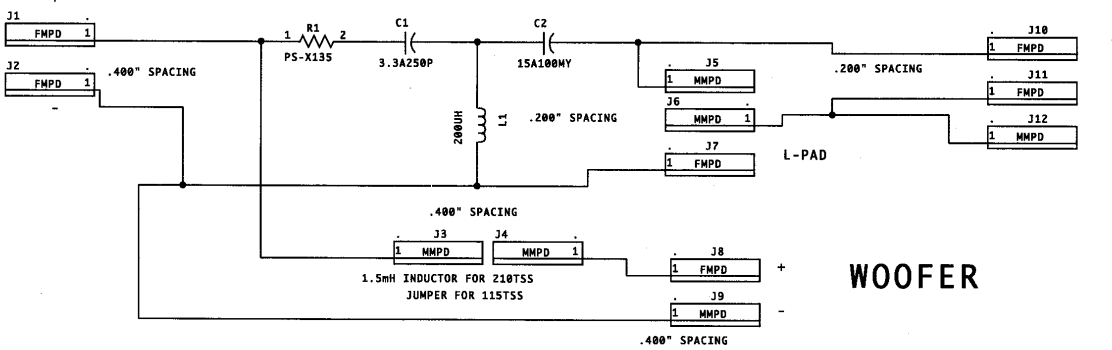
N/C 1 S01
250STW

N/C 1 S04
250STW
S03
N/C 1 S03
250STW
S02
N/C 1 S02
250STW

PEAVEY ELECTRONICS CORP. 711 A STREET MERIDIAN, MISSISSIPPI 39301			
TITLE T-MAX BASS AMP EXPORT PRIMARY			
SIZE B	CODE PRINT	NUMBER #81502390	REV A
DATE 5-MAY-95	SHEET 1 OF 1		

8 7 6 5 4 3 2 1

INPUT

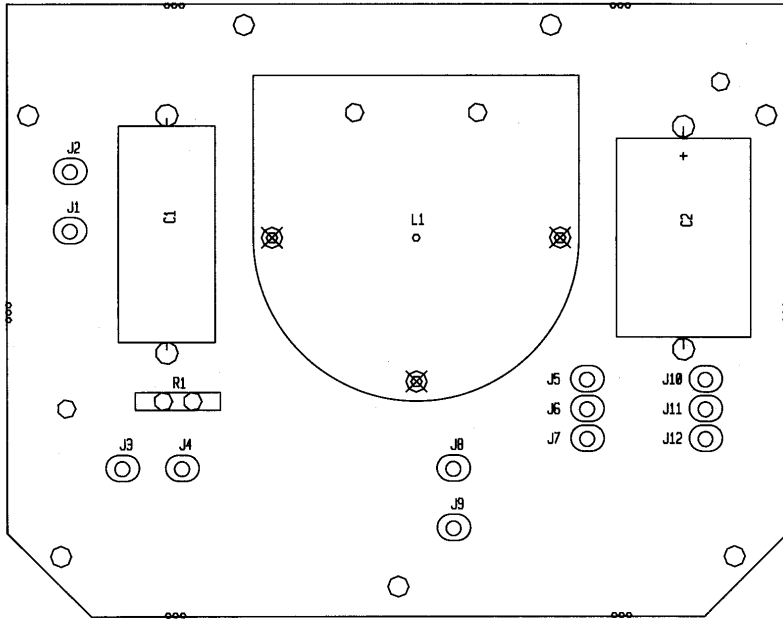


TWEETER OUTPUT

WOOFER

NOTICE: THIS CIRCUITRY IS PROTECTED BY U.S. PATENT NO. 4,318,053 OWNED BY PEAVEY ELECTRONICS CORP. USE OR COPYING WITHOUT EXPRESS WRITTEN AUTHORITY FROM PEAVEY IS STRICTLY FORBIDDEN AND VIOLATORS WILL BE PROSECUTED TO THE FULLEST EXTENT ALLOWED UNDER U.S. PATENT LAWS

PEAVEY ELECTRONICS CORP. 711 A STREET MERIDIAN, MS 39301			
TITLE T-MAX X-OVER			
SIZE B	CODE	NUMBER 99051840 #81502390	REV
DATE 8-MAY-95	SHEET		1



T-MAX CROSSOVER BD.

BOARD NAME: TMAX X-OVER
 ASSEMBLY LEVEL NUMBER: 99051840

PART				DESCRIPTION AND
* QTY.	NAME	VALUE	PART NUMBER	DEVICE DESIGNATIONS *****
1	3.3A250P	3.3A250P	70320176	3.3MF 10% 250VDC PP AXL C1
1	15A100MY	150F100	70320195	15 MFD CAPACITOR 10% 100V - AXIAL C2
2	FMPD	73711811	73711811	M118-171 C.B. FEMALE MOLEX PIN J1, J2
4	MMPD	73711812	73711812	R93-12 PN C.B. MALE MOLEX PIN J3, J4, J5, J6
2	FMPD	73711811	73711811	M118-171 C.B. FEMALE MOLEX PIN J7, J8
1	MMPD	73711812	73711812	R93-12 PN C.B. MALE MOLEX PIN J9
2	FMPD	73711811	73711811	M118-171 C.B. FEMALE MOLEX PIN J10, J11
1	MMPD	73711812	73711812	R93-12 PN C.B. MALE MOLEX PIN J12
1	200UH	200UH	96000176	200UH AIR CORE INDUCTOR COMP/SP-3 L1
1	PS-X135	PS-X135	70240199	1.35A, PTC, RESISTIVE FUSE R1