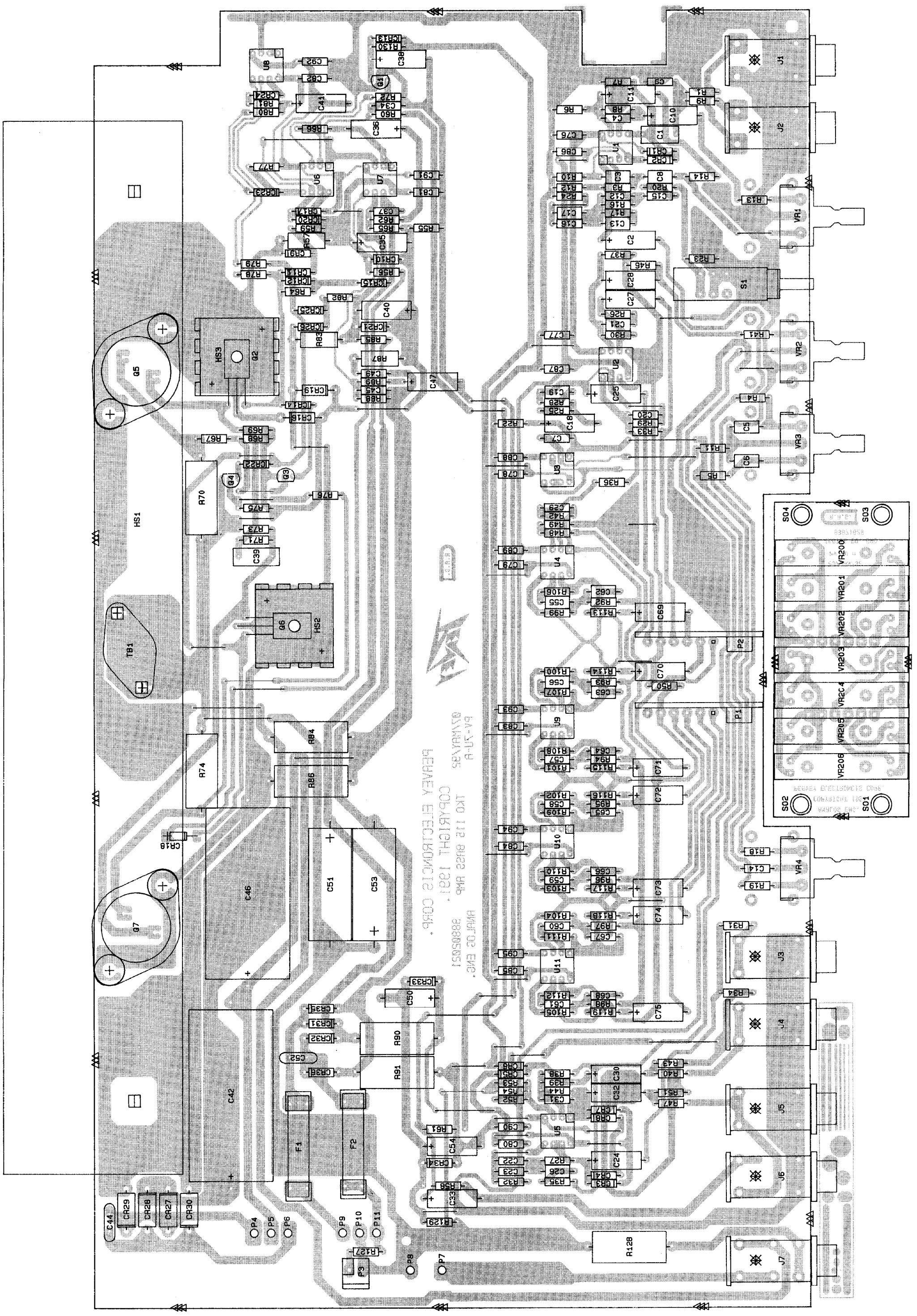
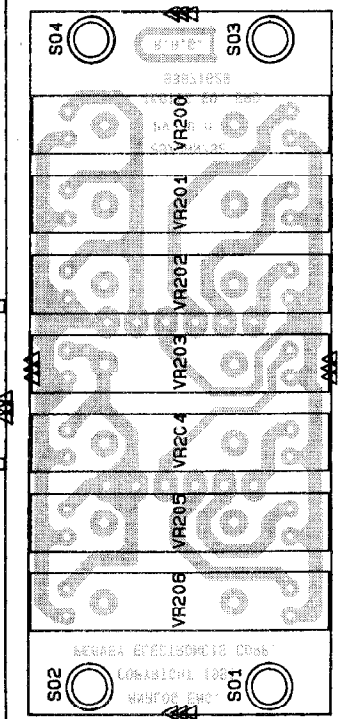


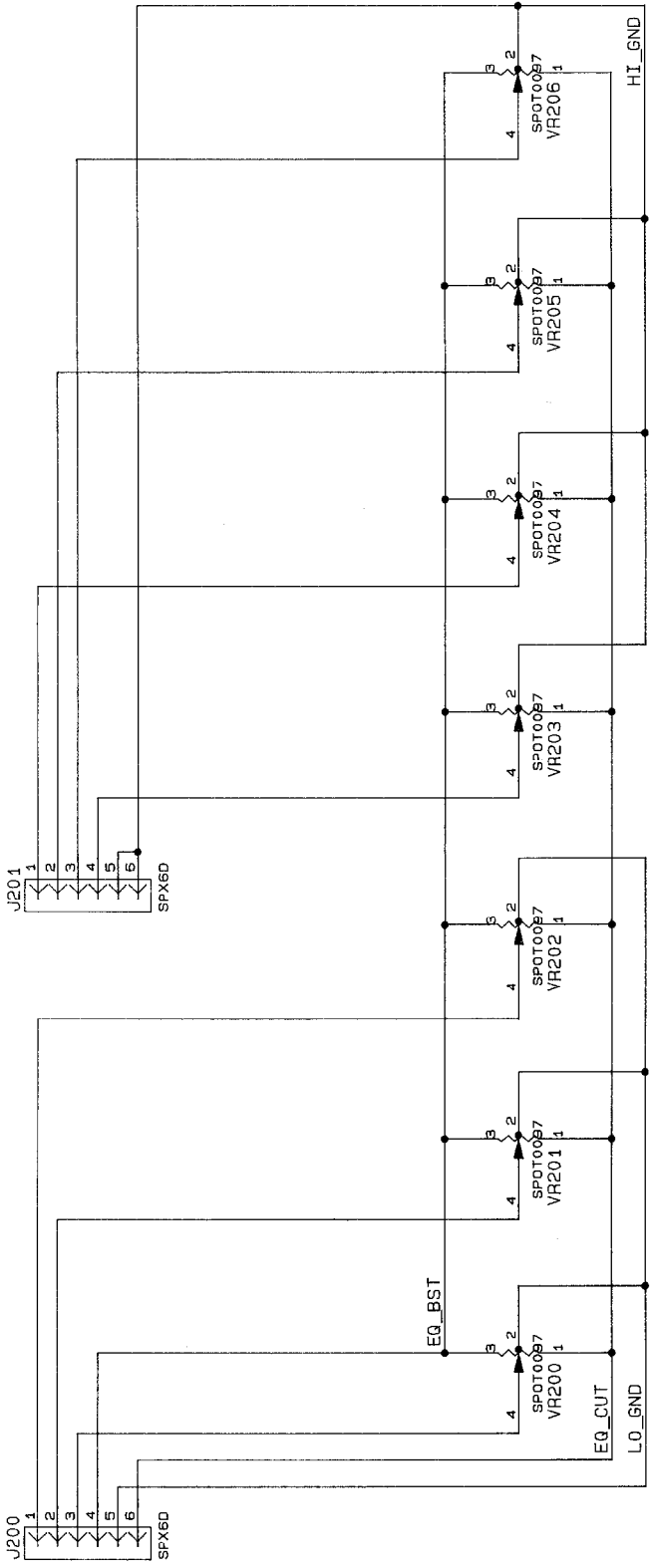
PEAVEY ELECTRONICS CORP.  
 711 A STREET  
 Meridian, Mississippi 39501  
 TITLE TKO 115  
 CB# 988C2020  
 SIZE CODE NUMBER 81501545  
 REV A  
 DATE 1-JUL-92 SHEET 1 OF 2



BA-3U-B  
REV. 1.0  
COPYRIGHT 1981  
BEAVER ELECTRONICS CORP.  
UNION, N.J. 07087  
38805051



1 2 3 4 5 6 7 8



PEAVEY ELECTRONICS CORP.  
 711 A STREET  
 MERIDIAN, MISSISSIPPI 39301

TITLE  
 TKO 115

SIZE	CODE	NUMBER	REV
B		81501545	A
PRINT			
DATE	1-JUL-92		SHEET 1 OF 1

BC1  N/C 1  500SDW

S01  N/C 1  500SDW

S02  N/C 1  500SDW

S03  N/C 1  500SDW

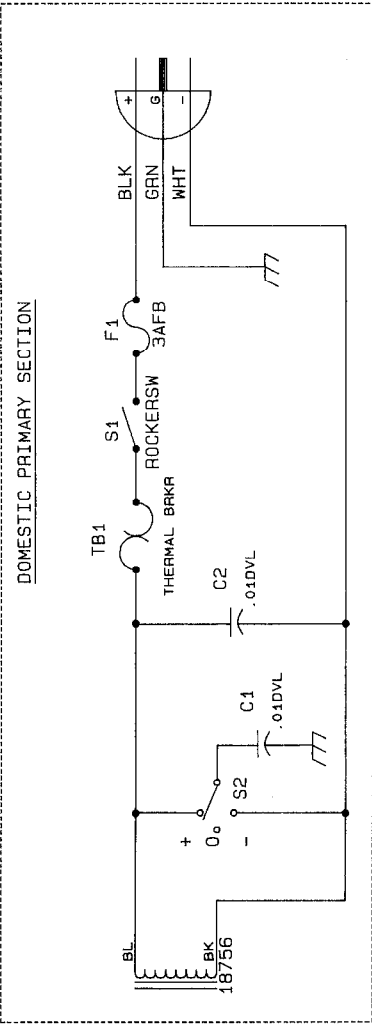
S04  N/C 1  500SDW

S05  N/C 1  500SDW

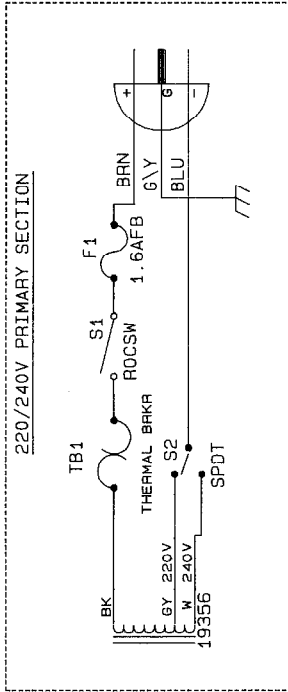
D C B A

1 2 3 4 5 6 7 8

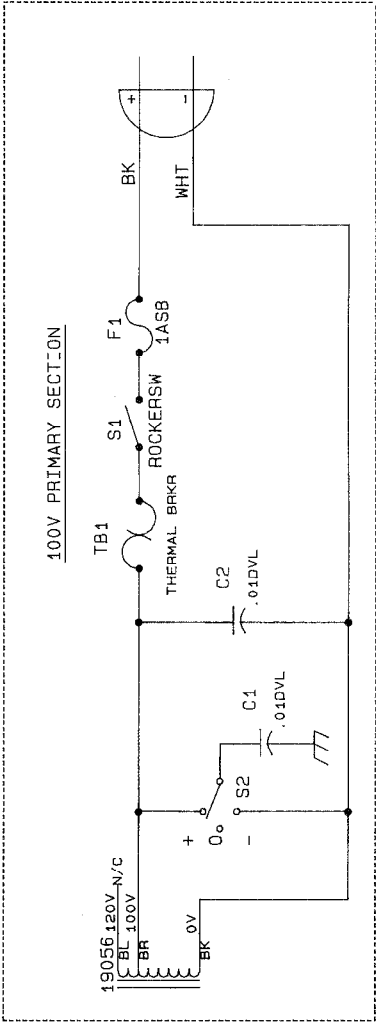
DOMESTIC PRIMARY SECTION



220/240V PRIMARY SECTION



100V PRIMARY SECTION



PEAVEY ELECTRONICS CORP. 711 A STREET MERIDIAN, MISSISSIPPI 39301		TITLE TKO 115	
SIZE B	CODE NUMBER 81501545	REV A	
PRINT DATE 1-JUL-92		SHEET 1 OF 1	

## TKO 115

NAME	VALUE	NUMBER	DESCRIPTION						
C1	.1R250MY	70320096	.1 MFD 250 VDC MYLAR CA/BR						
C10	22A25	70320012	22 MFD 25VDC LYT. CAP. T&R						
C11	22A25	70320012	22 MFD 25VDC LYT. CAP. T&R						
C12	100PF	70340054	100PF 10% 50V TUB CER T&R						
C13	.068	70340018	.068 MFD 10% 50V MON T&R						
C14	.0068	70340008	.0068 MFD 10% 50V MON T&R						
C15	.0068	70340008	.0068 MFD 10% 50V MON T&R						
C16	.015	70340010	.015 MFD 10% 50V T/C T&R						
C17	.068	70340018	.068 MFD 10% 50V MON T&R						
C18	22A25	70320012	22 MFD 25VDC LYT. CAP. T&R						
C19	.068	70340018	.068 MFD 10% 50V MON T&R						
C2	22A25	70320012	22 MFD 25VDC LYT. CAP. T&R						
C20	100PF	70340054	100PF 10% 50V TUB CER T&R						
C21	.068	70340018	.068 MFD 10% 50V MON T&R						
C22	.047	70340017	.047 MFD 10% 50V MON T&R						
C23	.022	70340012	.022 MFD 10% 50V MON.T&R						
C24	22A25	70320012	22 MFD 25VDC LYT. CAP. T&R						
C25	22A25	70320012	22 MFD 25VDC LYT. CAP. T&R						
C26	.1P10	70340101	.1 MFD 50 VDC 10% MON.T&R						
C27	22A25	70320012	22 MFD 25VDC LYT. CAP. T&R						
C28	22A25	70320012	22 MFD 25VDC LYT. CAP. T&R						
C29	100PF	70340054	100PF 10% 50V TUB CER T&R						
C3	.1P10	70340101	.1 MFD 50 VDC 10% MON.T&R						
C30	22A25	70320012	22 MFD 25VDC LYT. CAP. T&R						
C31	39PF	70340052	39PF 50V TUB CER T&R						
C32	22A25	70320012	22 MFD 25VDC LYT. CAP. T&R						
C33	2.2A35	70320200	2.2MFD 35VDC LY.CAP T&R						
C34	39PF	70340052	39PF 50V TUB CER T&R						
C35	22A25	70320012	22 MFD 25VDC LYT. CAP. T&R						
C36	22A25	70320012	22 MFD 25VDC LYT. CAP. T&R						
C37	10PF	70340050	10 PF 5% TUB.CER.T&R						
C38	2.2A35	70320200	2.2MFD 35VDC LY.CAP T&R						
C39	.22MY	70330007	.22 MFD 100VDC 5% MYLAR						
C4	100PF	70340054	100PF 10% 50V TUB CER T&R						
C40	22A25	70320012	22 MFD 25VDC LYT. CAP. T&R						
C41	10MFD	70320198	10 MFD LOW LEAKAGE C. * T&R						
C42	4700A63	70350200	4700 MFD 35V VER/SNAP IN						
C44	.01CER	70320099	.01MFD 1000VDC CD-UNCUT						
C45	10PF	70340050	10 PF 5% TUB.CER.T&R						
C46	4700A63	70350200	4700 MFD 35V VER/SNAP IN						
C47	22A25	70320012	22 MFD 25VDC LYT. CAP. T&R						
C49	.1	70340100	.1 MFD +80-20LV AX.LP.T&R						
C5	.068	70340018	.068 MFD 10% 50V MON T&R						
C50	22A25	70320012	22 MFD 25VDC LYT. CAP. T&R						
C51	1000A35	70320038	1000 MFD 35 VDC LYTIC CAP						
C52	.01CER	70320099	.01MFD 1000VDC CD-UNCUT						
C53	1000A35	70320038	1000 MFD 35 VDC LYTIC CAP						
C54	22A25	70320012	22 MFD 25VDC LYT. CAP. T&R						
C55	.1P10	70340101	.1 MFD 50 VDC 10% MON.T&R						
C56	.068	70340018	.068 MFD 10% 50V MON T&R						
C57	.033	70340014	.033 MFD 10% 50V MON.T&R						
C58	.015	70340010	.015 MFD 10% 50V T/C T&R						
C59	.047	70340017	.047 MFD 10% 50V MON T&R						
C6	.068	70340018	.068 MFD 10% 50V MON T&R						
C60	.033	70340014	.033 MFD 10% 50V MON.T&R						
C61	.015	70340010	.015 MFD 10% 50V T/C T&R						
C62	.1P10	70340101	.1 MFD 50 VDC 10% MON.T&R						
C63	.068	70340018	.068 MFD 10% 50V MON T&R						
C64	.033	70340014	.033 MFD 10% 50V MON.T&R						
C65	.015	70340010	.015 MFD 10% 50V T/C T&R						
C66	.047	70340017	.047 MFD 10% 50V MON T&R						
C67	.033	70340014	.033 MFD 10% 50V MON.T&R						
C68	.015	70340010	.015 MFD 10% 50V T/C T&R						
C69	22A25	70320012	22 MFD 25VDC LYT. CAP. T&R						
C7	470PF	70340058	470PF 10% 50V TUB CER T&R						
C70	22A25	70320012	22 MFD 25VDC LYT. CAP. T&R						
C71	22A25	70320012	22 MFD 25VDC LYT. CAP. T&R						
C72	22A25	70320012	22 MFD 25VDC LYT. CAP. T&R						
C73	22A25	70320012	22 MFD 25VDC LYT. CAP. T&R						
C74	22A25	70320012	22 MFD 25VDC LYT. CAP. T&R						
C75	22A25	70320012	22 MFD 25VDC LYT. CAP. T&R						
C76	.047P80	70340016	.047MFD+80-20 50V MON T&R						
C77	.047P80	70340016	.047MFD+80-20 50V MON T&R						
C78	.047P80	70340016	.047MFD+80-20 50V MON T&R						
C79	.047P80	70340016	.047MFD+80-20 50V MON T&R						
C8	.1P10	70340101	.1 MFD 50 VDC 10% MON.T&R						
C80	.047P80	70340016	.047MFD+80-20 50V MON T&R						
C81	.047P80	70340016	.047MFD+80-20 50V MON T&R						
C82	.047P80	70340016	.047MFD+80-20 50V MON T&R						
C83	.047P80	70340016	.047MFD+80-20 50V MON T&R						
C84	.047P80	70340016	.047MFD+80-20 50V MON T&R						
C85	.047P80	70340016	.047MFD+80-20 50V MON T&R						
C86	.047P80	70340016	.047MFD+80-20 50V MON T&R						
C87	.047P80	70340016	.047MFD+80-20 50V MON T&R						
C88	.047P80	70340016	.047MFD+80-20 50V MON T&R						
C89	.047P80	70340016	.047MFD+80-20 50V MON T&R						
C9	100PF	70340054	100PF 10% 50V TUB CER T&R						
C90	.047P80	70340016	.047MFD+80-20 50V MON T&R						
C91	.047P80	70340016	.047MFD+80-20 50V MON T&R						
C92	.047P80	70340016	.047MFD+80-20 50V MON T&R						
C93	.047P80	70340016	.047MFD+80-20 50V MON T&R						
C94	.047P80	70340016	.047MFD+80-20 50V MON T&R						
C95	.047P80	70340016	.047MFD+80-20 50V MON T&R						
CR1	1N4148	70464148	1N4148 75V 10MA SILICON DIODE						
CR10	1N4744	70440102	SZG40102 15V 5% ZENER DIO						
CR11	1N4148	70464148	1N4148 75V 10MA SILICON DIODE						
CR12	1N4148	70464148	1N4148 75V 10MA SILICON DIODE						
CR13	1N4148	70464148	1N4148 75V 10MA SILICON DIODE						
CR14	1N4148	70464148	1N4148 75V 10MA SILICON DIODE						
CR15	1N4148	70464148	1N4148 75V 10MA SILICON DIODE						
CR16	1N5393	70465393	1N5393-RL 200V,1.5,5%,ZD,T&R						
CR17	1N4148	70464148	1N4148 75V 10MA SILICON DIODE						
CR18	13886	70413886	S2-13886-2 DUAL DIODE SEL						
CR19	1N5393	70465393	1N5393-RL 200V,1.5,5%,ZD,T&R						
CR2	1N4148	70464148	1N4148 75V 10MA SILICON DIODE						
CR20	1N4148	70464148	1N4148 75V 10MA SILICON DIODE						
CR21	1N4744	70440102	SZG40102 15V 5% ZENER DIO						
CR22	1N4148	70464148	1N4148 75V 10MA SILICON DIODE						
CR23	1N4148	70464148	1N4148 75V 10MA SILICON DIODE						
CR24	1N4148	70464148	1N4148 75V 10MA SILICON DIODE						
CR25	1N4148	70464148	1N4148 75V 10MA SILICON DIODE						
CR26	1N4148	70464148	1N4148 75V 10MA SILICON DIODE						
CR27	MR502	70400502	MR502/1N5402 200V 3A SLD						
CR28	MR502	70400502	MR502/1N5402 200V 3A SLD						
CR29	MR502	70400502	MR502/1N5402 200V 3A SLD						
CR3	1N4148	70464148	1N4148 75V 10MA SILICON DIODE						
CR30	MR502	70400502	MR502/1N5402 200V 3A SLD						
CR31	1N4003	70464003	1N4003 200V SILICON DIODE						
CR32	1N4003	70464003	1N4003 200V SILICON DIODE						
CR33	1N4744	70440102	SZG40102 15V 5% ZENER DIO						
CR34	1N4744	70440102	SZG40102 15V 5% ZENER DIO						
CR35	1N4003	70464003	1N4003 200V SILICON DIODE						
CR36	1N4003	70464003	1N4003 200V SILICON DIODE						
CR4	1N4148	70464148	1N4148 75V 10MA SILICON DIODE						
CR5	1N4148	70464148	1N4148 75V 10MA SILICON DIODE						
CR6	1N4148	70464148	1N4148 75V 10MA SILICON DIODE						
CR7	1N4148	70464148	1N4148 75V 10MA SILICON DIODE						
CR8	1N4148	70464148	1N4148 75V 10MA SILICON DIODE						
CR9	1N4148	70464148	1N4148 75V 10MA SILICON DIODE						
F1	1ASB	70900379	1 AMP SLOW BLOW FUSE						
F2	1ASB	70900379	1 AMP SLOW BLOW FUSE						
J1	RAMN6164	71466164	JK R/A 12.5MM NIN. MONO-88						
J2	RAMN6164	71466164	JK R/A 12.5MM NIN. MONO-88						
J3	RAMN6164	71466164	JK R/A 12.5MM NIN. MONO-88						
J4	RAMN6164	71466164	JK R/A 12.5MM NIN. MONO-88						
J5	RAMN6164	71466164	JK R/A 12.5MM NIN. MONO-88						
J6	RAMN6164	71466164	JK R/A 12.5MM NIN. MONO-88						
J7	RAJSI	71466167	JK R/A 12.5MM INS STEO-88						
Q1	576	70400576	576/2N5462 40V TO92 PCL						
Q2	5331	70405331	SJE-5331 120V CASE-77 NPN						
Q3	6531	70406531	MPS-6530/31 TO-92 NPN TRANS						
Q4	6534	70406533	MPS-6533/34 TO-92 PNP TRANS						
Q5	83100	70483100	SJ 83100 NPN 3A 100V TO-3						
Q6	5332	70405332	SJE-5332 120V, CASE-77 PNP						
Q7	73100	70473100	SJ-73100 PNP 3A 100V TO-3						
R1	22K	70240029	22K-1/4W-5%-CF-T&R						
R10	47K	70240031	47K-1/4W-5%-CF-T&R						
R100	3.9K	70241093	3.9K-1/4W-5%-CF-AXL						
R101	3.3K	70240022	3300-1/4W-5%-CF-T&R						
R102	4.7K	70240023	4700-1/4W-5%-CF-T&R						

## TKO 115

R112	10K	70240025	10K—1/4W—5%—CF—T&R
R113	1.5K	70240018	1500—1/4W—5%—CF—T&R
R114	1.5K	70240018	1500—1/4W—5%—CF—T&R
R115	1.5K	70240018	1500—1/4W—5%—CF—T&R
R116	1.5K	70240018	1500—1/4W—5%—CF—T&R
R117	1.5K	70240018	1500—1/4W—5%—CF—T&R
R118	1.5K	70240018	1500—1/4W—5%—CF—T&R
R119	1.5K	70240018	1500—1/4W—5%—CF—T&R
R12	10K	70240025	10K—1/4W—5%—CF—T&R
R127	1.5K	70240018	1500—1/4W—5%—CF—T&R
R128	150W5	70250040	150—5W—10%—WW—AXL
R129	47	70240008	47—1/4W—5%—CF—T&R
R13	470	70240015	470—1/4W—5%—CF—T&R
R130	1M	70240039	1M—1/4W—5%—CF—T&R
R14	2.7K	70240021	2700—1/4W—5%—CF—T&R
R16	33K	70240030	33K—1/4W—5%—CF—T&R
R17	47K	70240031	47K—1/4W—5%—CF—T&R
R18	2.7K	70240021	2700—1/4W—5%—CF—T&R
R19	2.7K	70240021	2700—1/4W—5%—CF—T&R
R20	10K	70240025	10K—1/4W—5%—CF—T&R
R22	10K	70240025	10K—1/4W—5%—CF—T&R
R23	100K	70240034	100K—1/4W—5%—CF—T&R
R24	100K	70240034	100K—1/4W—5%—CF—T&R
R25	2.2K	70240020	2200—1/4W—5%—CF—T&R
R26	2.2K	70240020	2200—1/4W—5%—CF—T&R
R27	1K	70240017	1K—1/4W—5%—CF—T&R
R28	4.7K	70240023	4700—1/4W—5%—CF—T&R
R29	4.7K	70240023	4700—1/4W—5%—CF—T&R
R3	33K	70240030	33K—1/4W—5%—CF—T&R
R30	4.7K	70240023	4700—1/4W—5%—CF—T&R
R31	1K	70240017	1K—1/4W—5%—CF—T&R
R32	100K	70240034	100K—1/4W—5%—CF—T&R
R33	4.7K	70240023	4700—1/4W—5%—CF—T&R
R34	10K	70240025	10K—1/4W—5%—CF—T&R
R35	22K	70240029	22K—1/4W—5%—CF—T&R
R36	10K	70240025	10K—1/4W—5%—CF—T&R
R37	22K	70240029	22K—1/4W—5%—CF—T&R
R38	22K	70240029	22K—1/4W—5%—CF—T&R
R39	22K	70240029	22K—1/4W—5%—CF—T&R
R4	10K	70240025	10K—1/4W—5%—CF—T&R
R40	1K	70240017	1K—1/4W—5%—CF—T&R
R41	100	70240010	100—1/4W—5%—CF—T&R
R42	10K	70240025	10K—1/4W—5%—CF—T&R
R43	10K	70240025	10K—1/4W—5%—CF—T&R
R44	68K	70240032	68K—1/4W—5%—CF—T&R
R46	22K	70240029	22K—1/4W—5%—CF—T&R
R47	1K	70240017	1K—1/4W—5%—CF—T&R
R48	10	70240003	10—1/4W—5%—CF—T&R
R49	10	70240003	10—1/4W—5%—CF—T&R
R5	4.7K	70240023	4700—1/4W—5%—CF—T&R
R50	10	70240003	10—1/4W—5%—CF—T&R
R51	10K	70240025	10K—1/4W—5%—CF—T&R
R52	22	70240007	22—1/4W—5%—CF—T&R
R53	22	70240007	22—1/4W—5%—CF—T&R
R54	68	70240009	68—1/4W—5%—CF—T&R
R55	47	70240008	47—1/4W—5%—CF—T&R
R56	1K	70240017	1K—1/4W—5%—CF—T&R
R57	2.7KW1	70210016	2700—1W—10%—MO—T&R
R58	47K	70240031	47K—1/4W—5%—CF—T&R
R59	1.5K	70240018	1500—1/4W—5%—CF—T&R
R6	10K	70240025	10K—1/4W—5%—CF—T&R
R60	33K	70240030	33K—1/4W—5%—CF—T&R
R61	22K	70240029	22K—1/4W—5%—CF—T&R
R62	1.82KP1	70241078	1.82K—1/4W—1%—CF—T&R
R64	33	70240004	33—1/4W—5%—CF—T&R
R65	47K	70240031	47K—1/4W—5%—CF—T&R
R66	10K	70240025	10K—1/4W—5%—CF—T&R
R67	150	70240001	150—1/4W—5%—CF—T&R
R68	100FP	70240096	100FP—1/4W—5%—FP—T&R
R69	100FP	70240096	100FP—1/4W—5%—FP—T&R
R7	220K	70240036	220K—1/4W—5%—CF—T&R
R70	.33W5	70250003	.33—5W—10%—WW—AXL
R71	180	70240012	180—1/4W—5%—CF—T&R
R72	100	70240010	100—1/4W—5%—CF—T&R
R73	100FP	70240096	100FP—1/4W—5%—FP—T&R
R74	.33W5	70250003	.33—5W—10%—WW—AXL
R75	100FP	70240096	100FP—1/4W—5%—FP—T&R
R76	150	70240001	150—1/4W—5%—CF—T&R
R77	10K	70240025	10K—1/4W—5%—CF—T&R
R78	1K	70240017	1K—1/4W—5%—CF—T&R
R79	1K	70240017	1K—1/4W—5%—CF—T&R
R8	22K	70240029	22K—1/4W—5%—CF—T&R
R80	10K	70240025	10K—1/4W—5%—CF—T&R
R81	2.7K	70240021	2700—1/4W—5%—CF—T&R
R82	1.5K	70240018	1500—1/4W—5%—CF—T&R
R83	2.7KW1	70210016	2700—1W—10%—MO—T&R
R84	2KW5	70250063	2K—5W—10%—WW—AXL
R85	1K	70240017	1K—1/4W—5%—CF—T&R
R86	2KW5	70250063	2K—5W—10%—WW—AXL
R87	22W1	70210001	22—1W—5%—MO—T&R
R88	47K	70240031	47K—1/4W—5%—CF—T&R
R89	1.82KP1	70241078	1.82K—1/4W—1%—CF—T&R
R9	22K	70240029	22K—1/4W—5%—CF—T&R
R90	150W5	70250040	150—5W—10%—WW—AXL
R91	150W5	70250040	150—5W—10%—WW—AXL
R92	33K	70240030	33K—1/4W—5%—CF—T&R
R93	22K	70240029	22K—1/4W—5%—CF—T&R
R94	22K	70240029	22K—1/4W—5%—CF—T&R
R95	22K	70240029	22K—1/4W—5%—CF—T&R
R96	3.3K	70240022	3300—1/4W—5%—CF—T&R
R97	3.3K	70240022	3300—1/4W—5%—CF—T&R
R98	3.3K	70240022	3300—1/4W—5%—CF—T&R
R99	4.7K	70240023	4700—1/4W—5%—CF—T&R
S1	PRASW	71322213	DPDT P/P CB MOUNT SWITCH
U1	4558	70404558	RC-4558,P DUAL BI-PKG 10
U10	4558	70404558	RC-4558,P DUAL BI-PKG 10
U11	4558	70404558	RC-4558,P DUAL BI-PKG 10
U2	4558	70404558	RC-4558,P DUAL BI-PKG 10
U3	4558	70404558	RC-4558,P DUAL BI-PKG 10
U4	4558	70404558	RC-4558,P DUAL BI-PKG 10
U5	4558	70404558	RC-4558,P DUAL BI-PKG 10
U6	13080	70413080	LM3080N CUSTOM SELECTED
U7	4558	70404558	RC-4558,P DUAL BI-PKG 10
U8	4558	70404558	RC-4558,P DUAL BI-PKG 10
U9	4558	70404558	RC-4558,P DUAL BI-PKG 10
VR1	10KBVB	71190510	10K LIN MIN VPC W/BRKT
VR2	10KBVB	71190510	10K LIN MIN VPC W/BRKT
VR3	50KBVB	71190511	50K LIN MIN VPC W/BRKT
VR4	50KBVB	71190511	50K LIN MIN VPC W/BRKT