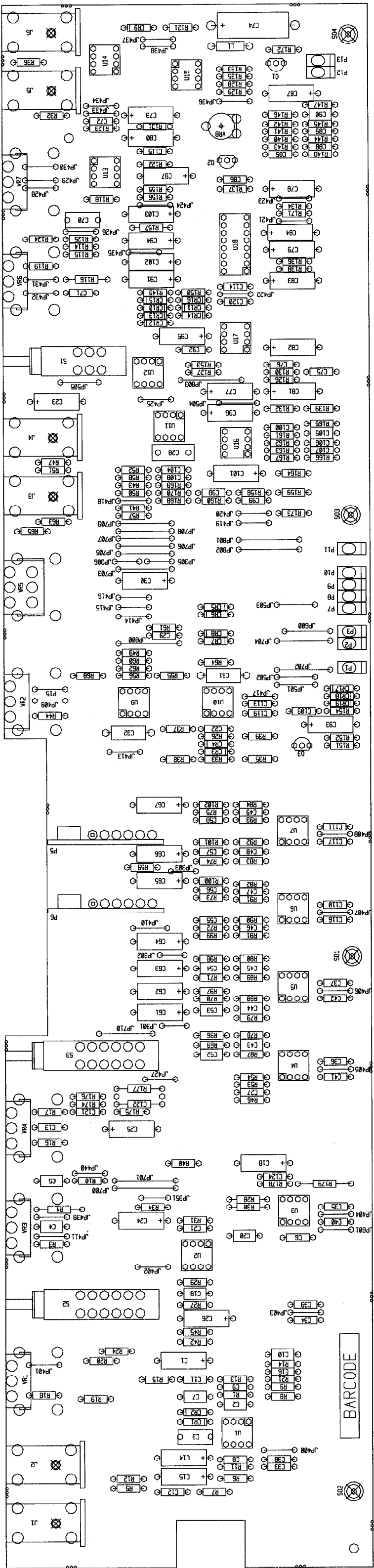


NOTE: THIS CIRCUITRY IS
 PROTECTED BY U.S. PATENT NO.
 3,811,111 ISSUED TO PEAVEY
 ELECTRONICS CORP. USE
 OR COPYING WITHOUT EXPRESS
 WRITTEN AUTHORITY FROM PEAVEY
 IS STRICTLY FORBIDDEN AND
 VIOLATORS WILL BE PROSECUTED
 UNDER U.S. PATENT LAWS.

EAST REF UNITS: C124 C221 3F LL 115 3P R179 5I 10R V13

COPYRIGHT 1975 PEAVEY ELECTRONICS CORP. PRINTED IN U.S.A.

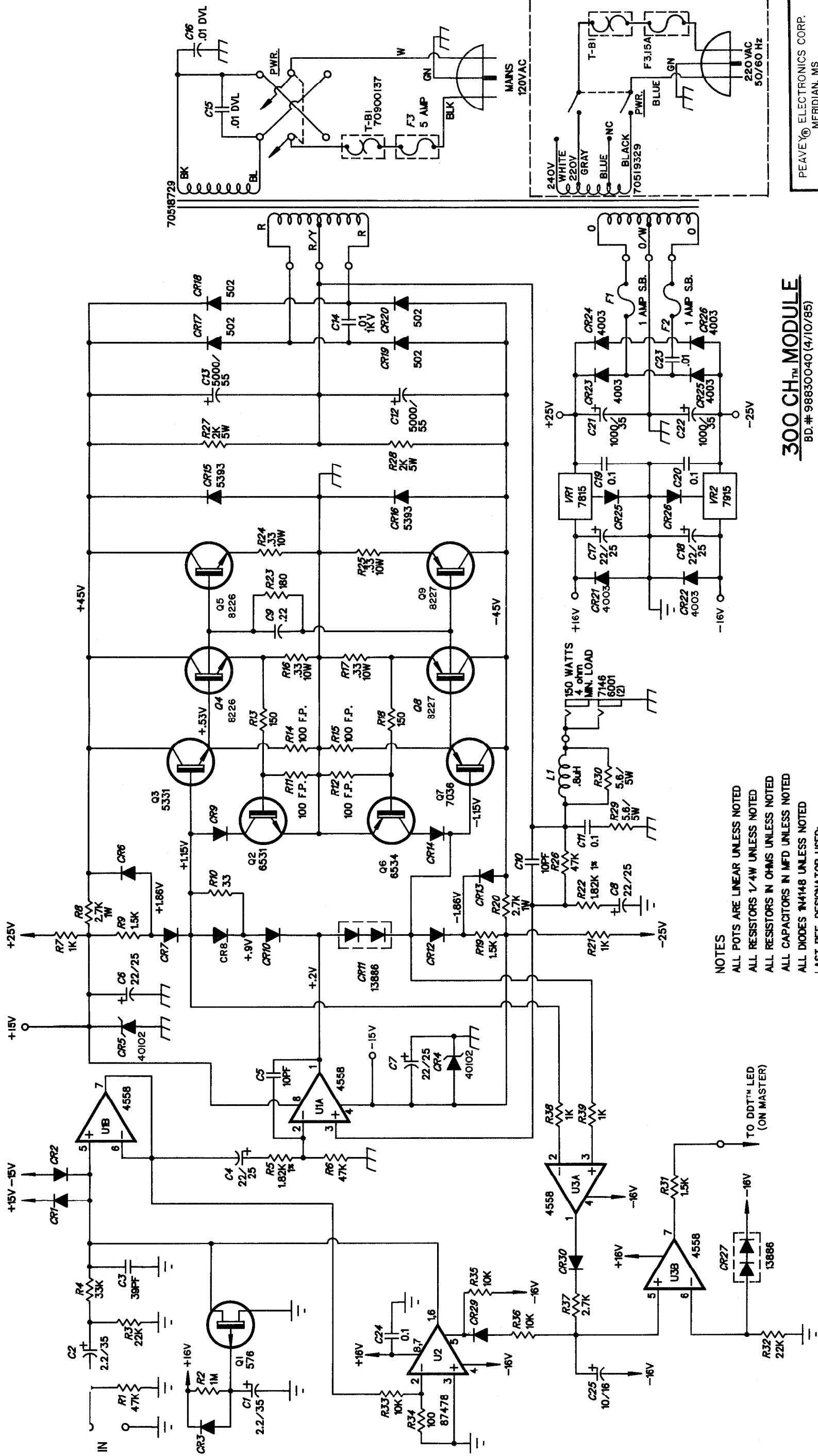


TNT 115 Sheffield

BOARD NAME: TNT 1155
ASSEMBLY LEVEL NUMBER: 99051882

| QTY | NAME | VALUE | PART NUMBER | DESCRIPTION AND DEVICE DESIGNATIONS |
|-----|---------|----------|-------------|-------------------------------------|
| 1 | 22A25 | 22A25 | 70320012 | 22MF +/-20% 25VDC EL AXL |
| 1 | 1P10 | .1P10 | 70340101 | 1MF-10%-50VDC-MON-T&R |
| 1 | 1R250MY | .1R250MY | 70320096 | .1 MFD 250VDC MYLAR CA/BR |
| 2 | .068 | .068 | 70340018 | .068MF-10%-50VDC-MON-T&R |
| 1 | 470PF | 470PF | 70340058 | 470PF-10%-50VDC-T/C-T&R |
| 1 | 1P10 | .1P10 | 70340101 | 1MF-10%-50VDC-MON-T&R |
| 2 | 100PF | 100PF | 70340054 | 100PF-10%-50VDC-T/C-T&R |
| 1 | .068 | .068 | 70340018 | .068MF-10%-50VDC-MON-T&R |
| 1 | .0068 | .0068 | 70340008 | .0068MF-10%-50VDC-MON-T&R |
| 1 | 100PF | 100PF | 70340054 | 100PF-10%-50VDC-T/C-T&R |
| 1 | .0068 | .0068 | 70340008 | .0068MF-10%-50VDC-MON-T&R |
| 2 | 22A25 | 22A25 | 70320012 | 22MF +/-20% 25VDC EL AXL |
| 1 | .047 | .047 | 70340017 | .047MF-10%-50VDC-MON-T&R |
| 1 | 22A25 | 22A25 | 70320012 | 22MF +/-20% 25VDC EL AXL |
| 2 | .068 | .068 | 70340018 | .068MF-10%-50VDC-MON-T&R |
| 1 | 100PF | 100PF | 70340054 | 100PF-10%-50VDC-T/C-T&R |
| 1 | 39PF | 39PF | 70340052 | 39PF-----50VDC-T/C-T&R |
| 4 | 22A25 | 22A25 | 70320012 | 22MF +/-20% 25VDC EL AXL |
| 1 | 100PF | 100PF | 70340054 | 100PF-10%-50VDC-T/C-T&R |
| 1 | 100PF | 100PF | 70340054 | 100PF-10%-50VDC-T/C-T&R |
| 1 | 22R100M | .22R100M | 70330007 | .22 MFD 100VDC 5% MYLAR |
| 1 | 100PF | 100PF | 70340054 | 100PF-10%-50VDC-T/C-T&R |
| 1 | 22A25 | 22A25 | 70320012 | 22MF +/-20% 25VDC EL AXL |
| 2 | .0075P2 | .0075P2 | 70340091 | .0075 MFD 2% 50VDC POLY |
| 10 | .047P80 | .047P80 | 70340016 | .047MF-80-20%-50VDC-MON-T&R |
| 2 | 1P10 | .1P10 | 70340101 | 1MF-10%-50VDC-MON-T&R |
| 1 | .068 | .068 | 70340018 | .068MF-10%-50VDC-MON-T&R |
| 2 | .033 | .033 | 70340014 | .033MF-10%-50VDC-MON-T&R |
| 1 | .015 | .015 | 70340010 | .015MF-10%-50VDC-T/C-T&R |
| 1 | .0068 | .0068 | 70340008 | .0068MF-10%-50VDC-MON-T&R |
| 2 | 1P10 | .1P10 | 70340101 | 1MF-10%-50VDC-MON-T&R |
| 1 | .068 | .068 | 70340018 | .068MF-10%-50VDC-MON-T&R |
| 2 | .033 | .033 | 70340014 | .033MF-10%-50VDC-MON-T&R |
| 1 | .015 | .015 | 70340010 | .015MF-10%-50VDC-T/C-T&R |
| 1 | .0068 | .0068 | 70340008 | .0068MF-10%-50VDC-MON-T&R |
| 7 | 22A25 | 22A25 | 70320012 | 22MF +/-20% 25VDC EL AXL |
| 1 | 1R250MY | .1R250MY | 70320096 | .1 MFD 250VDC MYLAR CA/BR |
| 1 | .1 | .1 | 70340100 | 1MF-----80-20%-50VDC-AXL-T&R |
| 1 | 820PF | 820PF | 70340062 | 820PF-10%-50VDC-T/C-T&R |
| 1 | 2.2A35 | 2.2A35 | 70320200 | 2.2MFD 35VDC LY.CAP T&R |
| 1 | 220A25 | 220A25 | 70320102 | 220 MFD 25VDC LYTIC CAP |
| 1 | .015 | .015 | 70340010 | .015MF-10%-50VDC-T/C-T&R |
| 1 | 39PF | 39PF | 70340052 | 39PF-----50VDC-T/C-T&R |
| 1 | 22A25 | 22A25 | 70320012 | 22MF +/-20% 25VDC EL AXL |
| 3 | 2.2A35 | 2.2A35 | 70320200 | 2.2MFD 35VDC LY.CAP T&R |
| 1 | 10A16L | 10A16L | 70320198 | 10MFD 16V LOW LEAKAGE T&R |
| 1 | 2.2A35 | 2.2A35 | 70320200 | 2.2MFD 35VDC LY.CAP T&R |
| 1 | 10A16L | 10A16L | 70320198 | 10MFD 16V LOW LEAKAGE T&R |

| QTY | NAME | VALUE | PART NUMBER | DESCRIPTION AND DEVICE DESIGNATIONS |
|-----|----------|----------|-------------|---|
| 1 | 1A50L | 1A50L | 70320199 | 1MFD 50VDC LOW LEAKAGE T&R |
| 1 | 180PF | 180PF | 70340056 | 180PF-10%-50VDC-T/C-T&R |
| 1 | 39PF | 39PF | 70340052 | 39PF-----50VDC-T/C-T&R |
| 1 | 2.2A35 | 2.2A35 | 70320200 | 2.2MFD 35VDC LY.CAP T&R |
| 1 | .033 | .033 | 70340014 | .033MF-10%-50VDC-MON-T&R |
| 1 | .022 | .022 | 70340012 | .022MF-10%-50VDC-MON-T&R |
| 1 | .068 | .068 | 70340018 | .068MF-10%-50VDC-MON-T&R |
| 1 | 22A25 | 22A25 | 70320012 | 22MF +/-20% 25VDC EL AXL |
| 1 | 39PF | 39PF | 70340052 | 39PF-----50VDC-T/C-T&R |
| 1 | 22A25 | 22A25 | 70320012 | 22MF +/-20% 25VDC EL AXL |
| 4 | 2.2A35 | 2.2A35 | 70320200 | 2.2MFD 35VDC LY.CAP T&R |
| 1 | 100PF | 100PF | 70340054 | 100PF-10%-50VDC-T/C-T&R |
| 1 | .0068 | .0068 | 70340008 | .0068MF-10%-50VDC-MON-T&R |
| 1 | 270PF | 270PF | 70340057 | 270PF-10%-50VDC-T/C-T&R |
| 1 | 2.2A35 | 2.2A35 | 70320200 | 2.2MFD 35VDC LY.CAP T&R |
| 1 | 10A16L | 10A16L | 70320198 | 10MFD 16V LOW LEAKAGE T&R |
| 1 | 1A50L | 1A50L | 70320199 | 1MFD 50VDC LOW LEAKAGE T&R |
| 1 | .0068 | .0068 | 70340008 | .0068MF-10%-50VDC-MON-T&R |
| 1 | .068 | .068 | 70340018 | .068MF-10%-50VDC-MON-T&R |
| 1 | .033 | .033 | 70340014 | .033MF-10%-50VDC-MON-T&R |
| 1 | .022 | .022 | 70340012 | .022MF-10%-50VDC-MON-T&R |
| 1 | 100PF | 100PF | 70340054 | 100PF-10%-50VDC-T/C-T&R |
| 1 | .1 | .1 | 70340100 | .1MF-80-20%-50VDC-AXL-T&R |
| 9 | .047P80 | .047P80 | 70340016 | .047MF-80-20%-50VDC-MON-T&R |
| 1 | .0033 | .0033 | 70340006 | .0033MF-10%-50VDC-T/C-T&R |
| 1 | .022 | .022 | 70340012 | .022MF-10%-50VDC-MON-T&R |
| 1 | 39PF | 39PF | 70340052 | 39PF-----50VDC-T/C-T&R |
| 19 | 1N4148 | 4148 | 70464148 | 1N4148 75V 10MA SILICON DIODE |
| 6 | RAMN6164 | 71466164 | 71466164 | CR1, CR2, CR3, CR4, CR5, CR6, CR7, CR9, CR10, CR11, CR12, CR13, CR14, CR16, CR17, CR18, CR19, CR8, CR15 JK R/A 12.5MM NIN MONO -88 J1, J2, J3, J4, J5, J6 |
| 1 | 15UH | 15UH | 70519913 | 15 MICRO HENRY 20% INDUCTOR T&R |
| 3 | SPX1U | SPX1U | 73717003 | 1 STAKE PIN |
| 2 | ECCONN | ECCONN | 99093140 | E.O. CONNECTOR BOARD ASSEMBLY |
| 7 | SPX1U | SPX1U | 73717003 | 1 STAKE PIN |
| 2 | 2N3919 | 3919 | 70463919 | P7, P8, P9, P10, P11, P12, P.3 SKA-3919 TO92 NPN TRANS T&A |
| 1 | J111 | J111 | 70460111 | J-111 35V TO-92 NFET LOW T&A |
| 1 | 33K | 33K | 70240030 | 33K-1/4W-5%-CF-T&R |
| 1 | 10K | 10K | 70240025 | 10K-1/4W-5%-CF-T&R |
| 1 | 4.7K | 4.7K | 70240023 | 4.7K-1/4W-5%-CF-T&R |
| 1 | 22K | 22K | 70240029 | 22K-1/4W-5%-CF-T&R |
| 1 | 10K | 10K | 70240025 | 10K-1/4W-5%-CF-T&R |
| 1 | 47K | 47K | 70240027 | 47K-1/4W-5%-CF-T&R |
| 1 | 10K | 10K | 70240025 | 10K-1/4W-5%-CF-T&R |
| 1 | 10K | 10K | 70240025 | 10K-1/4W-5%-CF-T&R |
| 1 | 15K | 15K | 70240027 | 15K-1/4W-5%-CF-T&R |
| 2 | 22K | 22K | 70240029 | 22K-1/4W-5%-CF-T&R |
| 1 | 33K | 33K | 70240030 | 33K-1/4W-5%-CF-T&R |
| 1 | 47K | 47K | 70240027 | 47K-1/4W-5%-CF-T&R |
| 1 | 10K | 10K | 70240025 | 10K-1/4W-5%-CF-T&R |
| 1 | 10K | 10K | 70240025 | 10K-1/4W-5%-CF-T&R |



300 CH™ MODULE

BD.# 98830040 (4/10/85)

- NOTES
- ALL POTS ARE LINEAR UNLESS NOTED
 - ALL RESISTORS 1/4W UNLESS NOTED
 - ALL RESISTORS IN OHMS UNLESS NOTED
 - ALL CAPACITORS IN MFD UNLESS NOTED
 - ALL DIODES M4148 UNLESS NOTED
 - LAST REF. DESIGNATOR USED:
 - R32 CR26 C21 Q9 F3 L1

BUILT UNDER U.S. PATENT NO. 4,318,063

