

REVISED 2/23/83
 PEAVEY ELECTRONICS CORP.
 MERIDIAN, MS.
 DRAWN BY RAB DATE 8/15/82
 C.B. CK. RAB
 APPR. BY ACB

P/N 81501025

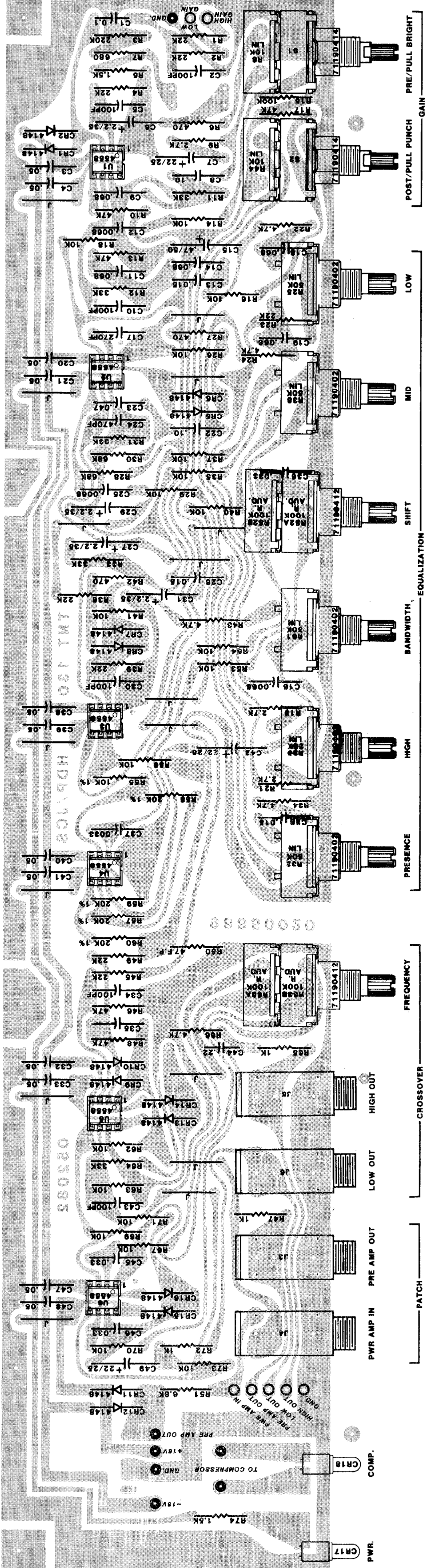
260C PWR AMP

TNT™ 130

TNT 130 BD.# 9865002015/20/82
 WITH 260C BD.# 95009072(15/82)

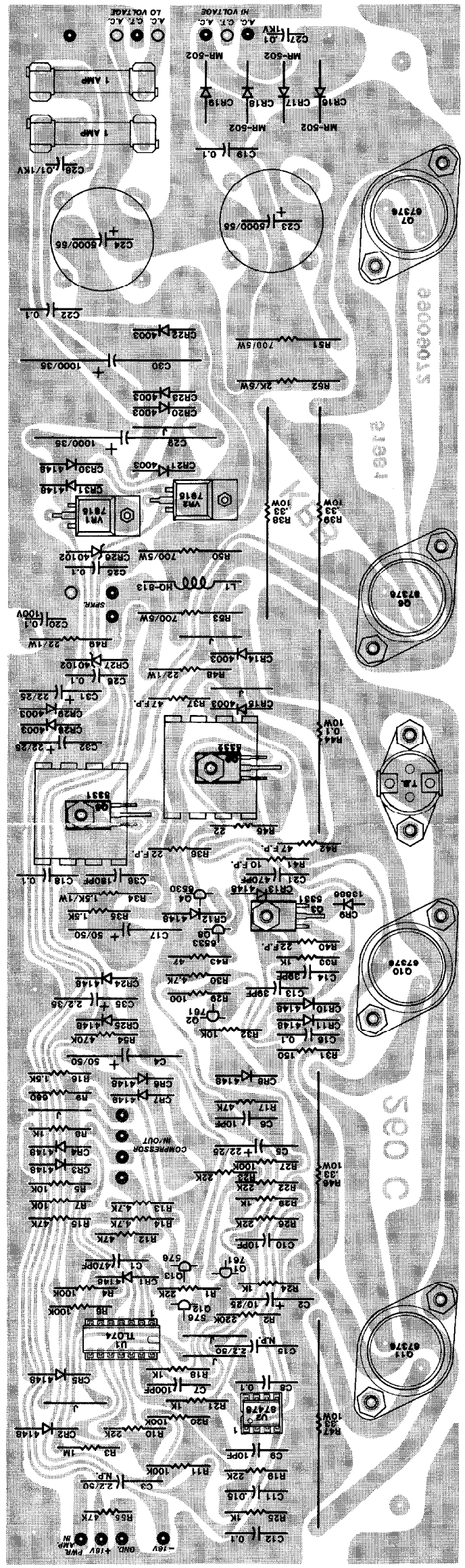
- NOTES**
- ALL POTS ARE LINEAR UNLESS NOTED
 - ALL RESISTORS IN OHMS UNLESS NOTED
 - ALL CAPACITORS IN MFD UNLESS NOTED
 - ALL DIODES IN 1N40 UNLESS NOTED
 - PREAMP AND PWR AMP NUMBERED INDEPENDENTLY
 - TNT 130 - LAST REF. DESIG. USED:
 - R74 C49 CR18 J6 S2 U6
 - R55 C36 CR32 Q13 U2 VR2 L1
 - DOT™ CIRCUITRY BUILT UNDER U.S. PATENT # 4,318,055 AND # 4,349,788

VOLTAGES MAY VARY FROM UNIT TO UNIT



TNT™ 130

JACKS J3-J6 ARE PT. NO. 71466081 OR 71466030



260C '81