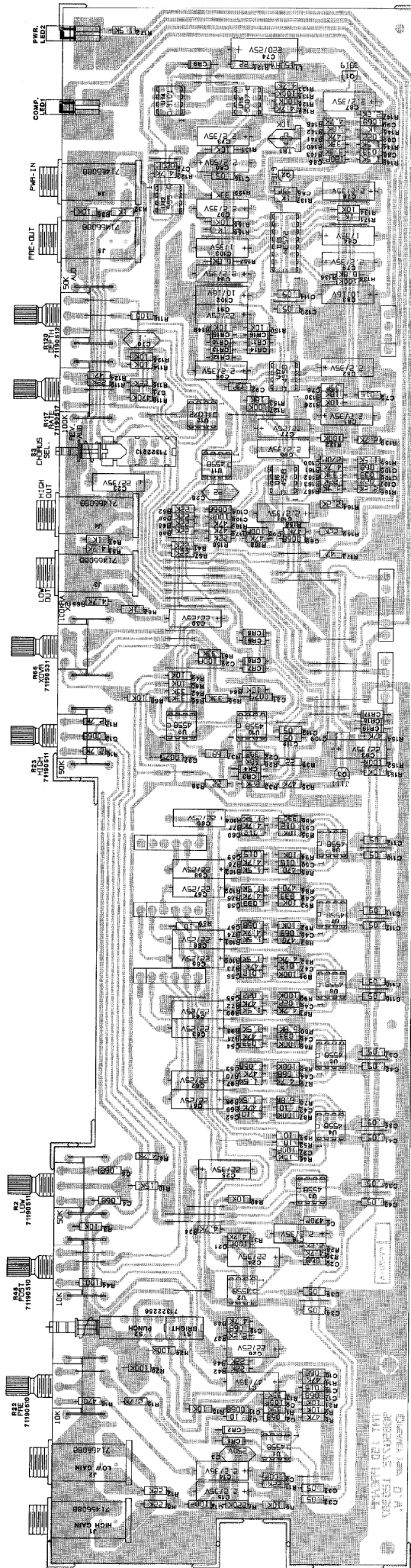
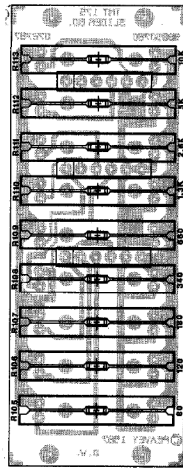


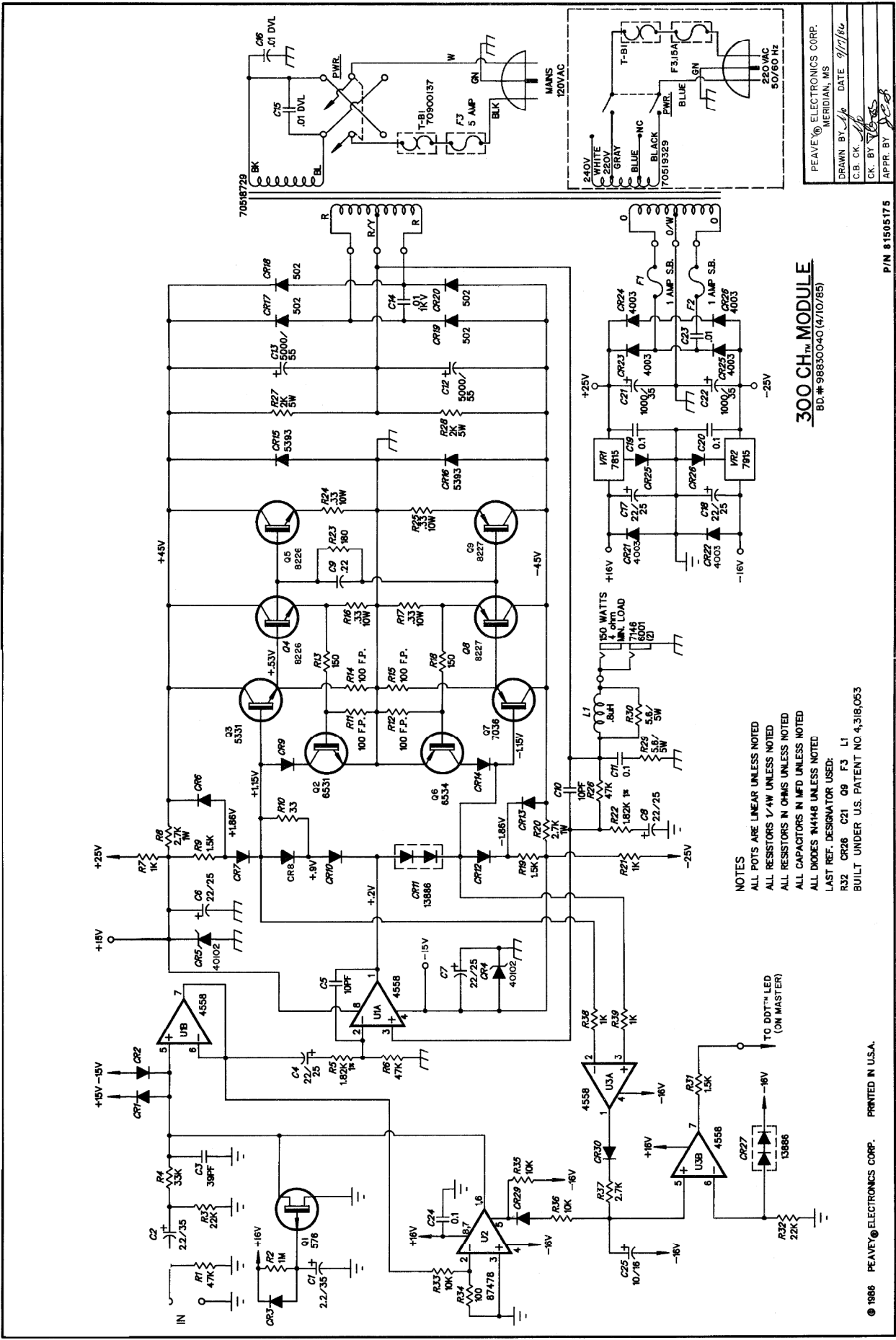
TNT M150
 PREAMP
 DESIGN NO. 6680072 (12-74-87)
 DESIGN NO. 6680074 (12-74-87)

PERNET ELECTRONICS CORP.
 2111 N. 11th St., Phoenix, AZ 85016
 PHONE 602-944-4844
 FAX 602-944-4844
 DATE 7-16-88

NOTES:
 ALL RESISTORS / 1/4 WATT UNLESS NOTED
 ALL CAPACITORS / 50V UNLESS NOTED
 ALL DIMENSIONS IN INCH UNLESS NOTED
 UNLESS OTHERWISE SPECIFIED, ALL PARTS
 SHALL BE OF MILITARY GRADE
 MIL-STD-883C METHOD 2000, CLASS B, LEVEL 2
 REQUIRED 300 OF EACH

TNT™150





70518729

300 CH™ MODULE
 BD.# 98830040(4/10/65)

- NOTES**
 ALL POTS ARE LINEAR UNLESS NOTED
 ALL RESISTORS 1/4W UNLESS NOTED
 ALL RESISTORS IN OHMS UNLESS NOTED
 ALL CAPACITORS IN MFD UNLESS NOTED
 ALL DIODES M4148 UNLESS NOTED
 LAST REF. DESIGNATOR USED:
 R32 CR26 C21 Q9 F3 L1

BUILT UNDER U.S. PATENT NO. 3,318,053

P/N 81505175

PEAVEY® ELECTRONICS CORP. MERIDIAN, MS
DRAWN BY <i>JK</i> DATE 9/1/64
C.K. BY <i>JK</i>
APPR. BY <i>JK</i>

