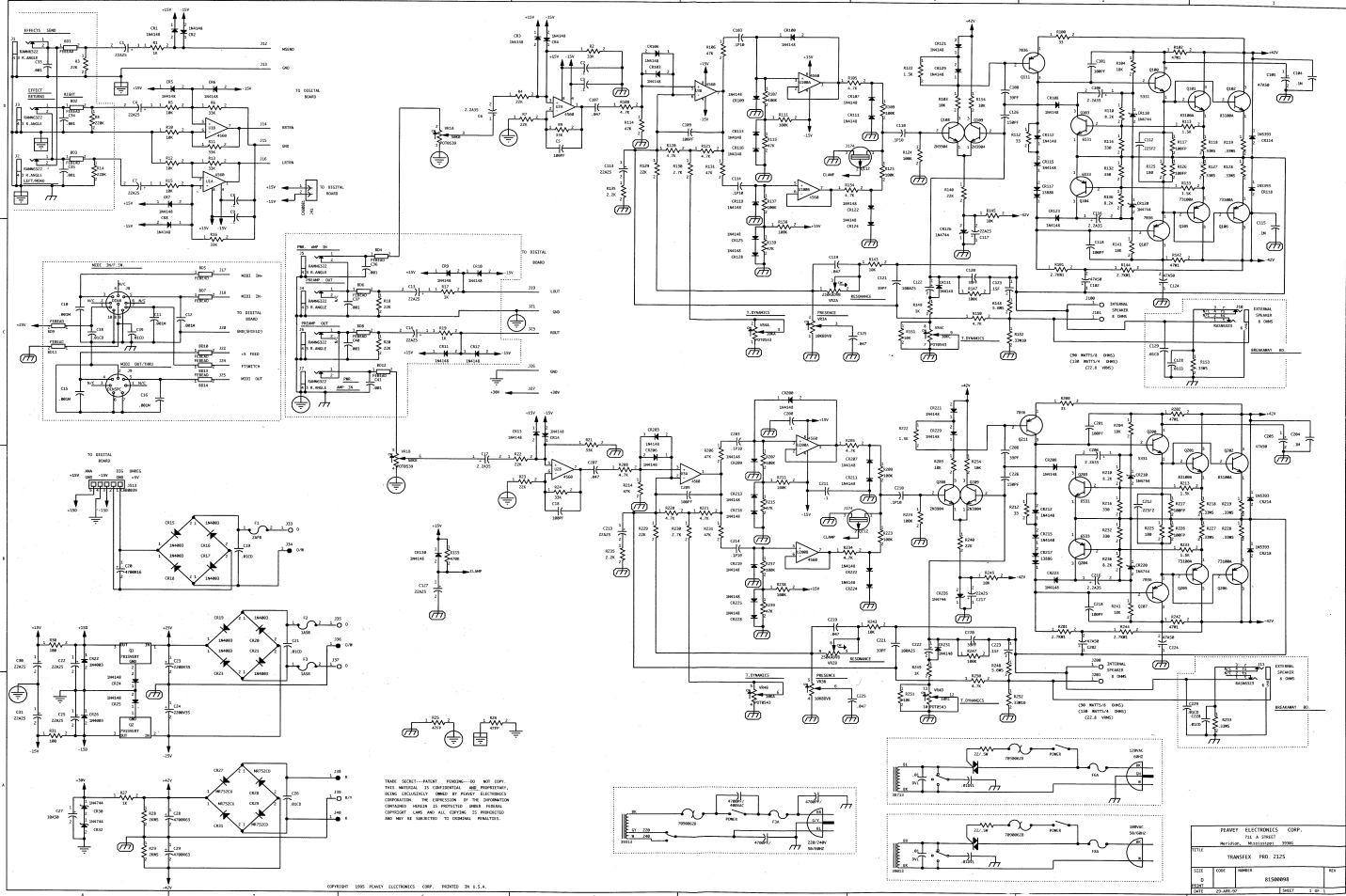


- # - DO NOT PLACE FOR TRANSFLEX ASSEMBLY  
(J1104, J703, & J705)
- @ - DO NOT PLACE FOR TRANSTUBE FEX ASSEMBLY  
(JB11, JB10, & J704)
- \$ - DO NOT PLACE FOR EITHER TRANSFLEX OR TRANSTUBE FEX ASSEMBLIES  
(R338, R339, & HDR100)

## Transflex Main/Transtube Fex Digital

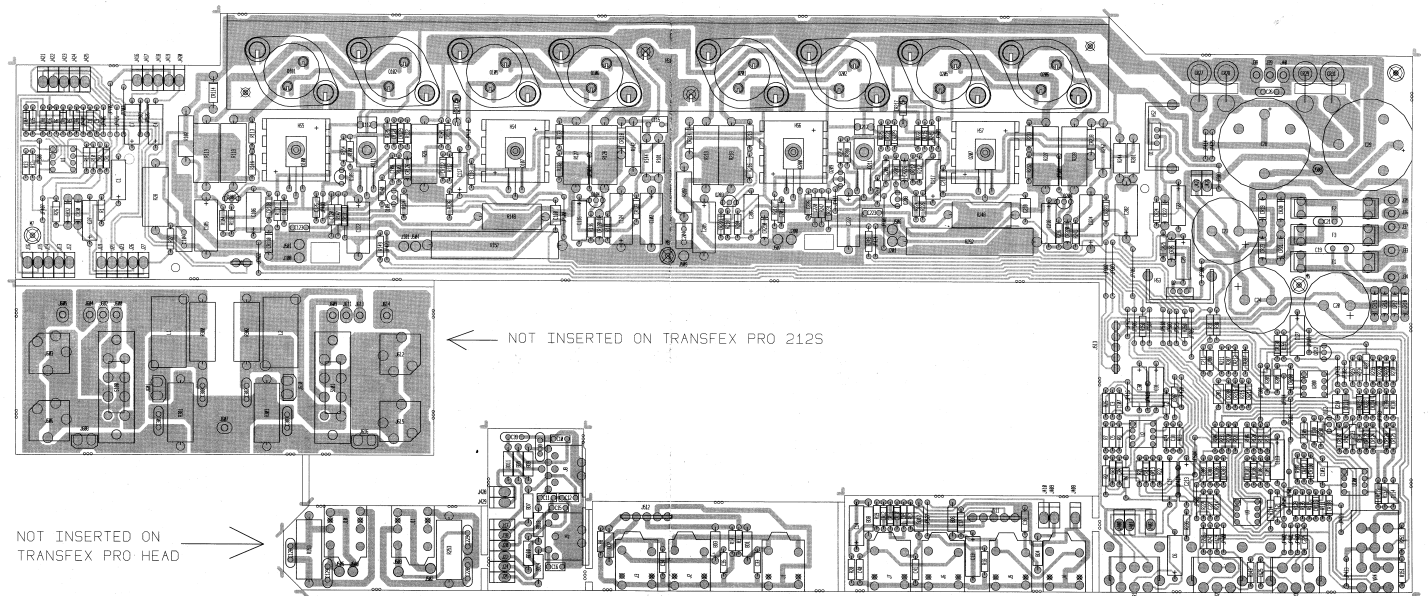
LAST REVISION SHEET: R002, C003, E002, F001, G001, H001, I001, J001, K001, L001, M001, N001, O001, P001, Q001, R001, S001, T001, U001, V001, W001, X001, Y001, Z001



FROM THESE POINTS, THE USER SHOULD NOT COPY THIS MATERIAL IN WHOLE OR IN PART, OR REPRODUCE, TRANSMIT, OR IN ANY MANNER DISSEMINATE THE INFORMATION CONTAINED HEREIN TO ANY OTHER PERSON. THE INFORMATION CONTAINED HEREIN IS UNCLASSIFIED AND IS NOT SUBJECT TO EXPORT CONTROLS.

HP-21C HP-21C HP-21C HP-21C HP-21C HP-21C HP-21C HP-21C HP-21C HP-21C

HEWLETT-PACKARD COMPANY	
MODEL	HP-21C
DATE	1975
REVISION	1
DESIGNED BY	ES-20000
DATE	1975



TRANSFEX PRO 212S  
TRANSFEX PRO HEAD