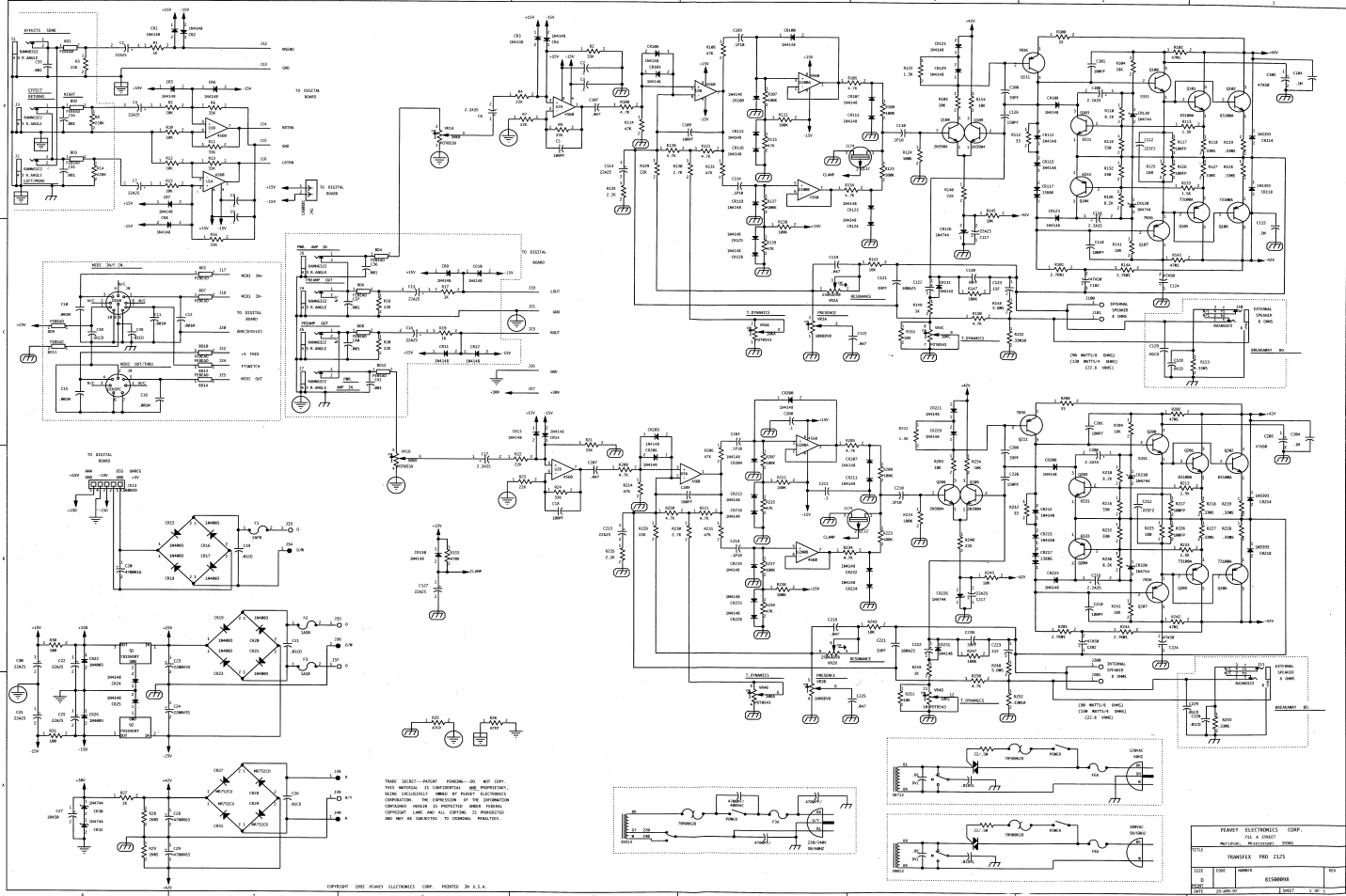


- # - DO NOT PLACE FOR TRANSFLEX ASSEMBLY
(J1104, J703, & J705)
- @ - DO NOT PLACE FOR TRANSTUBE FEX ASSEMBLY
(JB11, JB10, & J704)
- \$ - DO NOT PLACE FOR EITHER TRANSFLEX OR TRANSTUBE FEX ASSEMBLIES
(R338, R339, & HDR100)

Transflex Main/Transtube Fex Digital

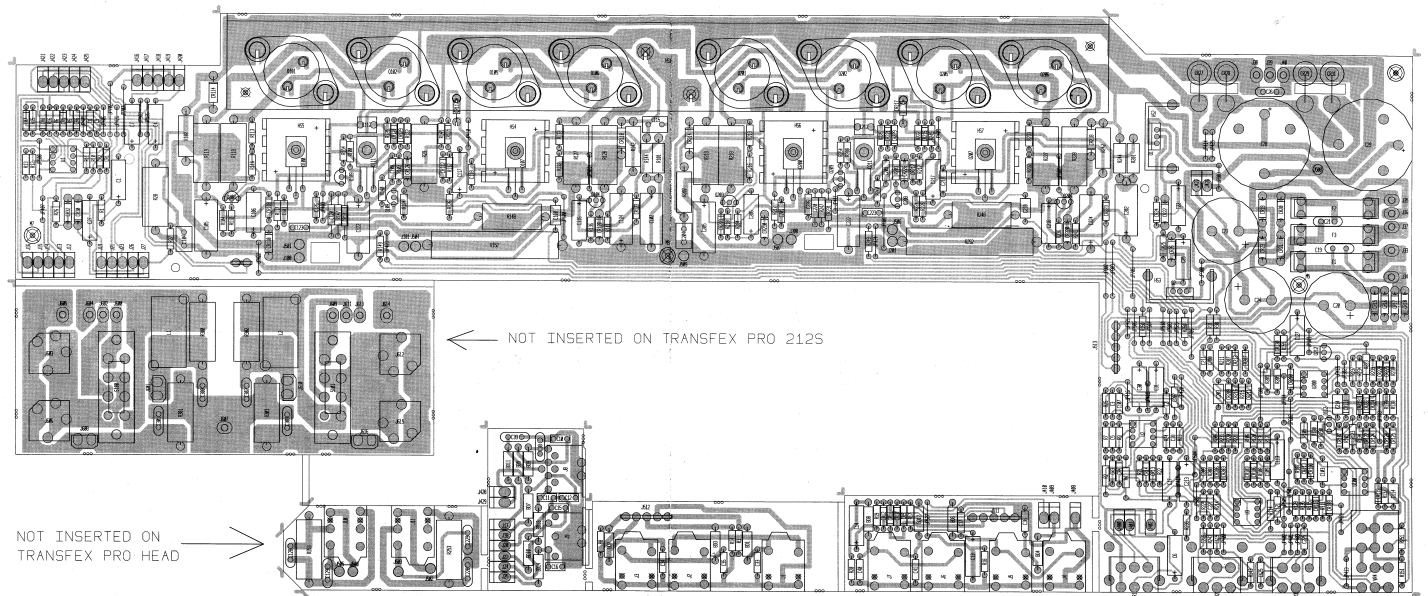
LAST REVISION SHEET: R022, C023, E024, F025, G026, H027, I028, J029



FROM SEVERAL-PIECE PROGRAM-DO NOT COPY THIS MATERIAL IN CONNECTION WITH REPRODUCTION, BEING SOLELY PROPERTY OF FEINER ELECTRONICS CORPORATION. THE REPRODUCTION OF THIS INFORMATION WITHOUT THE WRITTEN PERMISSION OF FEINER ELECTRONICS CORPORATION IS PROHIBITED. ANY REPRODUCTION OF THIS INFORMATION IN ANY FORM OR BY ANY MEANS IS HEREBY PROHIBITED.

©1997 BY FEINER ELECTRONICS CORP. PRINTED IN U.S.A.

FEINER ELECTRONICS CORP.	
1000 W. 10TH AVENUE, SUITE 100	
DENVER, COLORADO 80202	
TEL: 303.752.1000	
FAX: 303.752.1001	
WWW: WWW.FEINER.COM	
E-MAIL: SALES@FEINER.COM	
COURTESY: 303.752.1002	
©2007 1 10	



TRANSFEX PRO 212S
TRANSFEX PRO HEAD