

REV	Eng	Date:	Revision Description	ECN#
A	TRS	1-6-05	Moved R26 from D- to D+. Tied P6 to Gnd.	
B				
C				
D				
E				
F				

INDEX

SHEET	DESCRIPTION

Company Proprietary Information

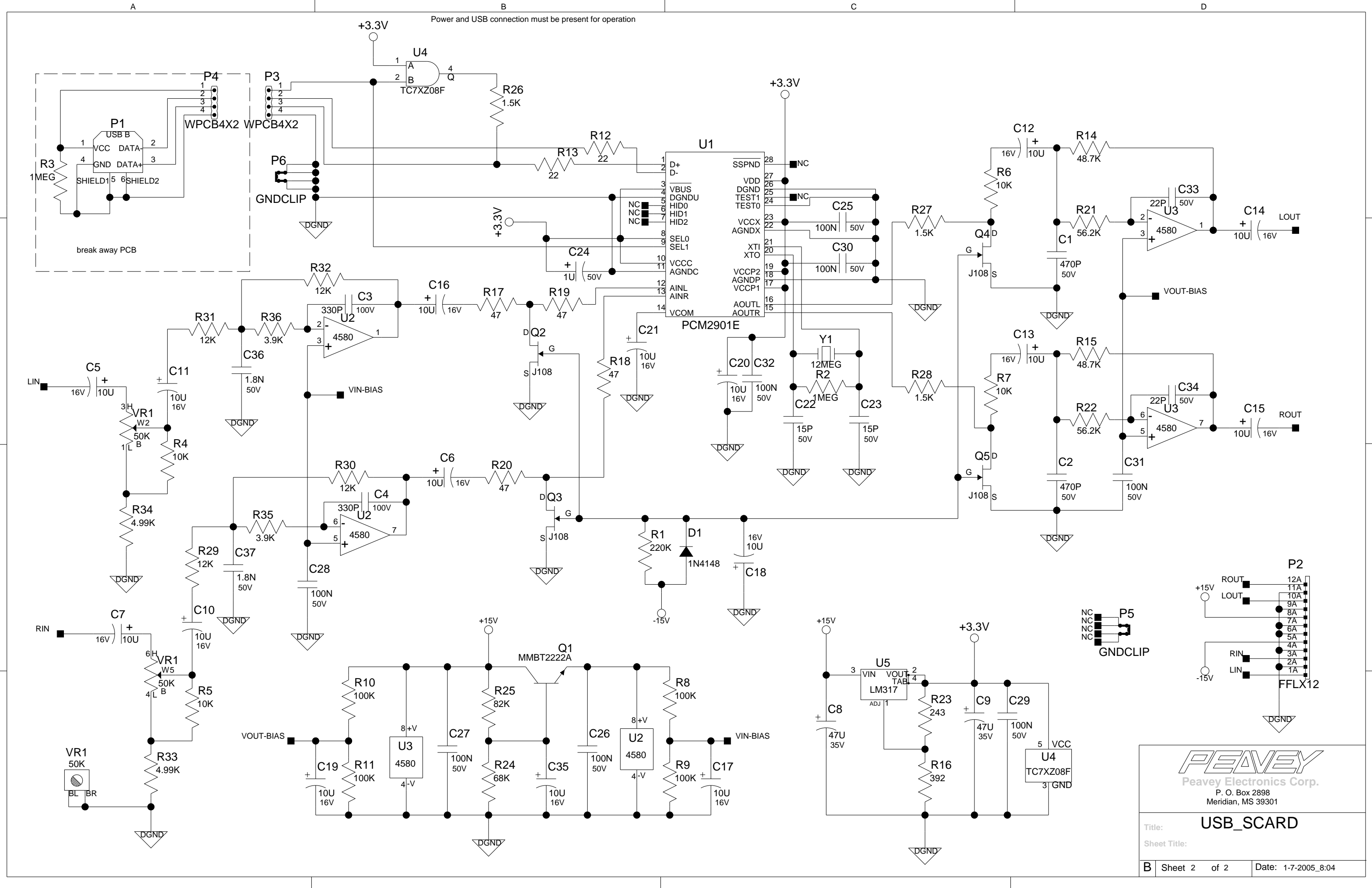
Note: All thru hole Resistors are 1/4 Watt unless otherwise indicated.
 All SMT 1206 Resistors are 1/4 Watt.
 All SMT 0805 Resistors are 1/10 Watt.
 Note Capacitor Values are indicated as Follows:
 val P = pF (picoFarads) val * 10 exp-12
 val N = nF (nanoFarads) val * 10 exp-9 (1N=1000pF, 100N=0.1uF)
 val U = uF (microFarads) val * 10 exp-6



Product:	Sound card for Mixers
Title:	USB_SCARD
Project Number:	
Eng:	Release Date:
B Sheet 1 of 2	Saved: 1-7-2005_7:57

Patents:

Copyright Peavey Electronics Corporation 2005.



Power and USB connection must be present for operation

break away PCB

PEAVEY
 Peavey Electronics Corp.
 P. O. Box 2898
 Meridian, MS 39301

Title: USB_SCARD

Sheet Title:

B Sheet 2 of 2 Date: 1-7-2005_8:04