

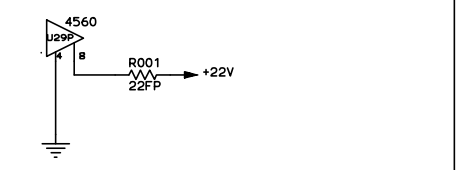
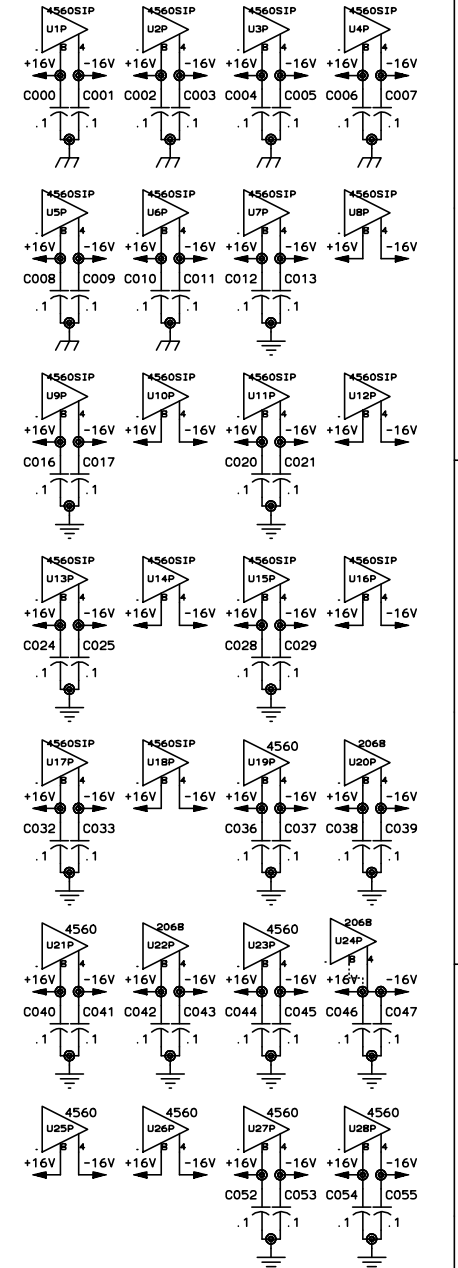
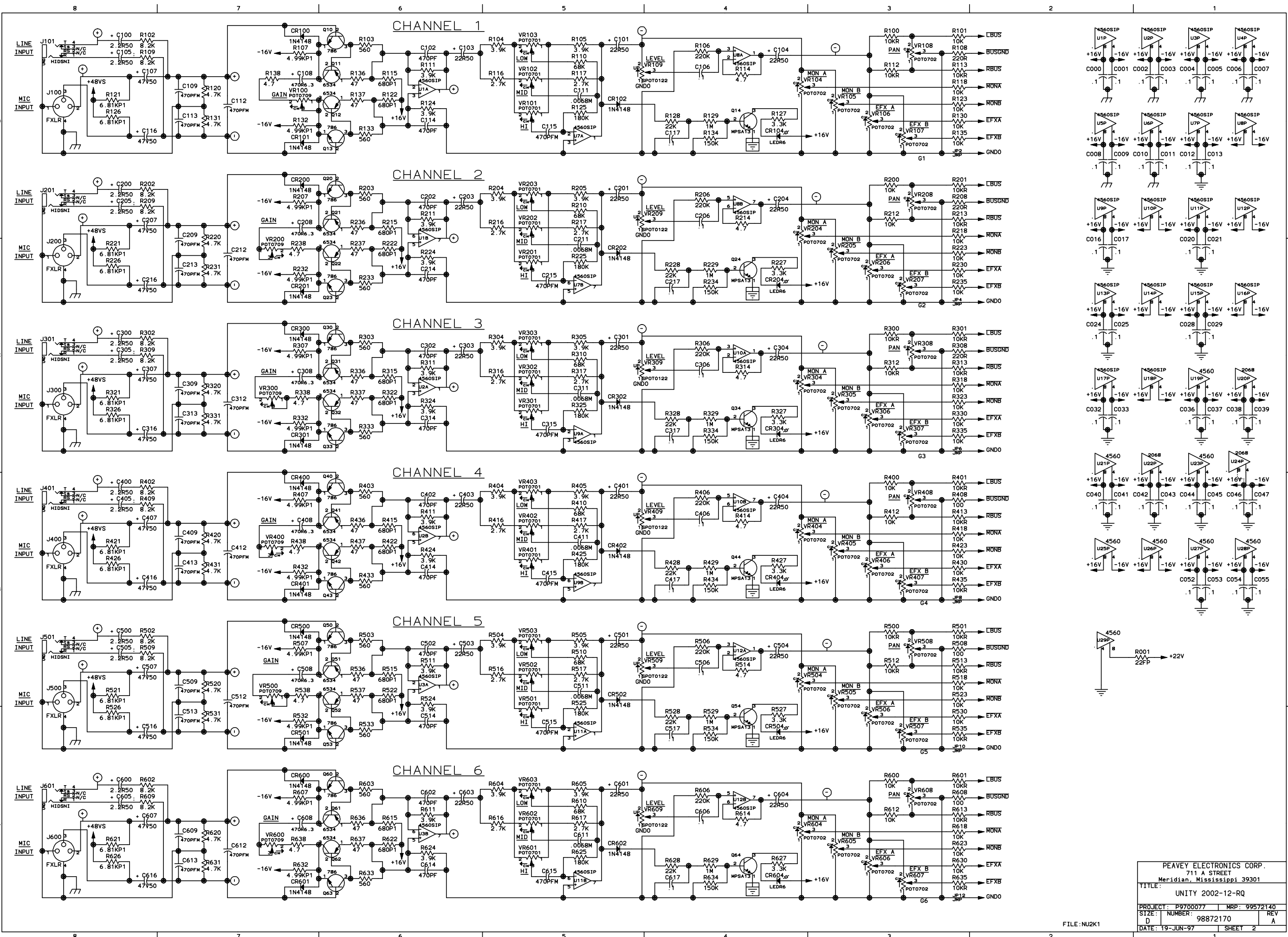
- TO EXT BOARD**
- 1 +48VS
  - 2 +16V
  - 3 -16V
  - 4 GND4
  - 5 RBUS
  - 6 LBUS
  - 7 EFXA
  - 8 EFXB
  - 9 MONA
  - 10 MONB
  - 11 MONA
  - 12 GND0
  - 13 GND0
  - 14 GND0

DOM FXMR: 70528788  
EXPT FXMR: 70529388

PEAVEY ELECTRONICS CORP.	
711 A STREET	
Meridian, Mississippi 39301	
TITLE: UNITY 2002-12-RQ	
PROJECT: P9700077	MRP: 99572140
SIZE: NUMBER: 98872170	REV: A
DATE: 14-SEP-99	SHEET 1 OF 1

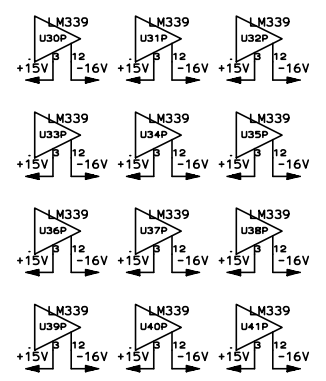
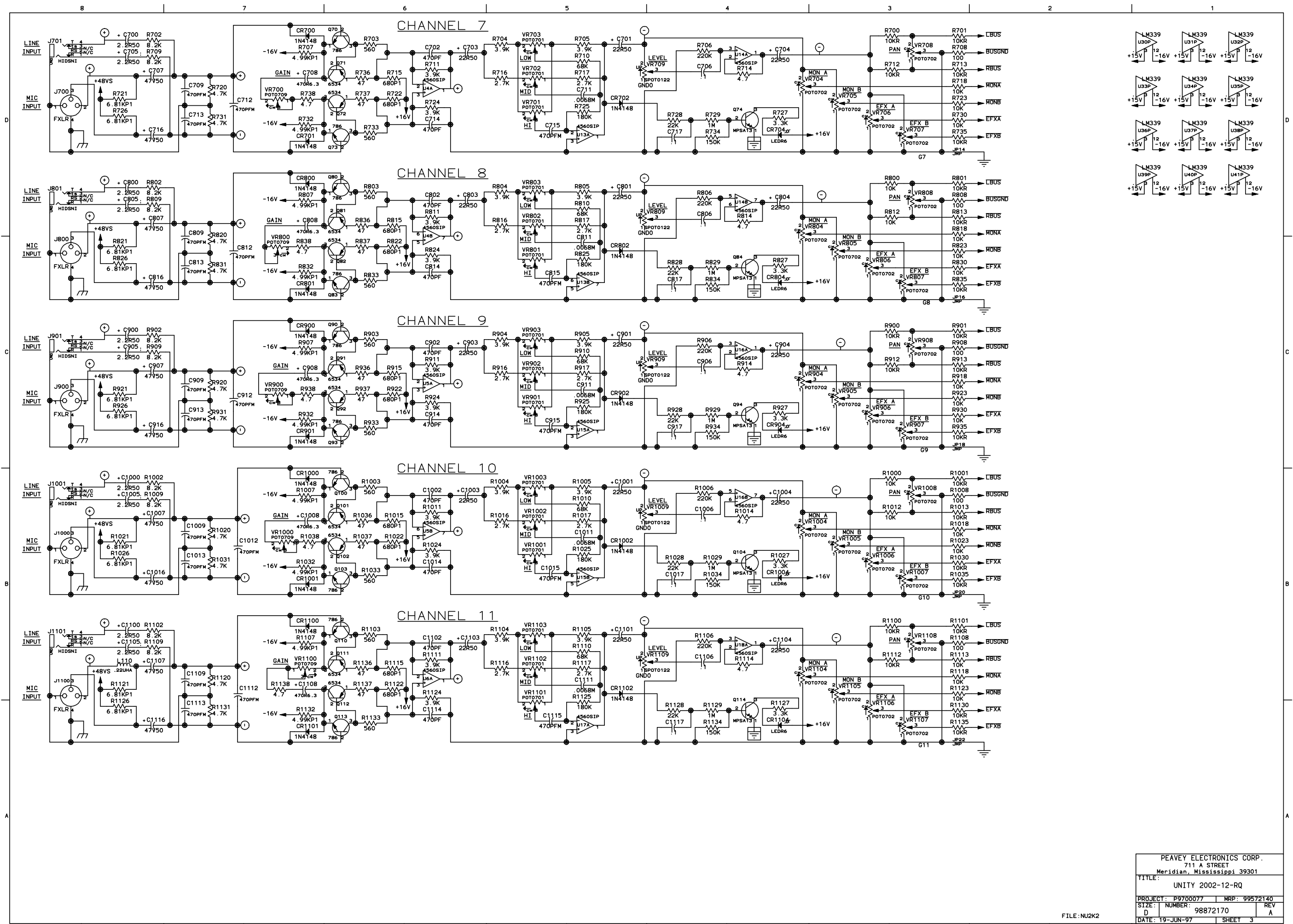
CR70 Q14 R258 C72

FILE: NU2K



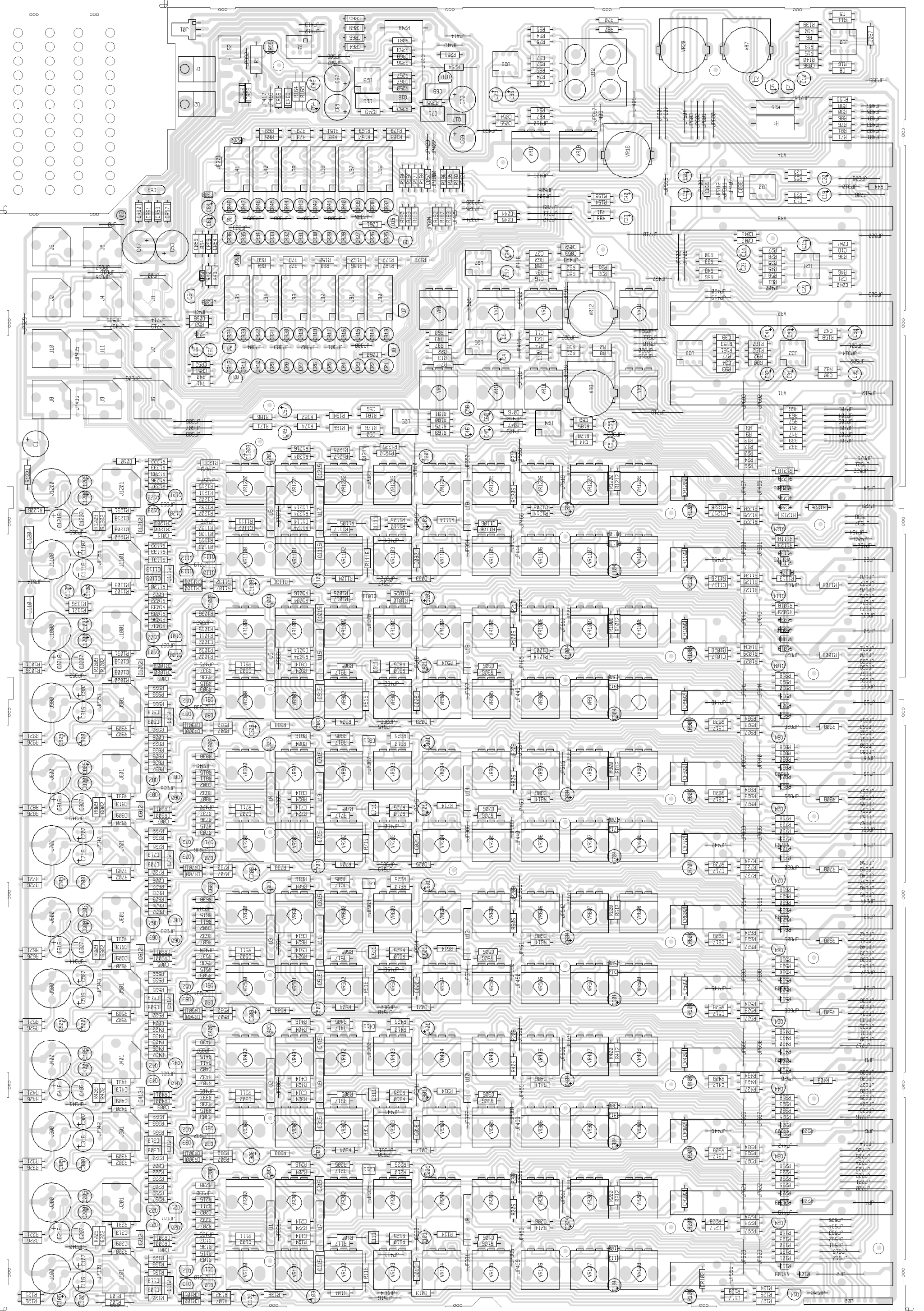
PEAVEY ELECTRONICS CORP. 711 A STREET Meridian, Mississippi 39301			
TITLE: UNITY 2002-12-RQ			
PROJECT: P9700077	MRP: 99572140		
SIZE: NUMBER: 98872170	REV: A		
DATE: 19-JUN-97	SHEET: 2		

FILE:NU2K1



PEAVEY ELECTRONICS CORP.			
711 A STREET			
Meridian, Mississippi 39301			
TITLE: UNITY 2002-12-RQ			
PROJECT: P9700077	MRP: 9952140		
SIZE: NUMBER: 98872170	REV: A		
DATE: 19-JUN-97	SHEET: 3		

FILE:NU2K2



BILL OF MATERIALS REPORT  
 BOARD NAME: UNITY 2002 RQ REPORT DATE: 21SEP99  
 ASSEMBLY LEVEL NUMBER: 99572145 DESIGNER: KEITH VARNER  
 PROJECT NUMBER: P9700077  
 CBDS  
 PART PART DESCRIPTION AND  
 \*\* QTY. NAME VALUE NUMBER DEVICE DESIGNATIONS \*\*\*\*\*  
 \*\*\*\*\*

1 98872173 98872173 ECN19412 PCB  
 12 .0068M .0068M 70330117 .0068mf--5%---50vdc---my---t&a  
 C111, C211, C311, C411, C511, C611,  
 C711, C811, C911, C1011, C1111, C1211  
 1 .01CD .01CD 70320248 .01MF----20%---1000VDC---CD--T&A  
 C52  
 69 .1 .1 70340100 .1MF----+80-20%--50VDC---AXL---T&R  
 C000, C001, C002, C003, C004, C005,  
 C006, C007, C008, C009, C010, C011,  
 C012, C013, C016, C017, C020, C021,  
 C024, C025, C028, C029, C032, C033,  
 C036, C037, C038, C039, C040, C041,  
 C042, C043, C044, C045, C046, C047,  
 C052, C053, C054, C055, C057, C058,  
 C059, C060, C061, C106, C117, C206,  
 C217, C306, C317, C406, C417, C506,  
 C517, C606, C617, C706, C717, C806,  
 C817, C906, C917, C1006, C1017, C1106,  
 C1117, C1206, C1217  
 3 .1M .1M 70330129 .1M 5% 50vdc my T&A  
 C66, C68, C71  
 2 .22UHA .22UH 70519899 .22 MICRO H 10% INDUCTOR  
 L110, L120  
 2 1.1K 1.1K 70240073 1.1K---1/4W--5%---CF--T&R  
 R88, R89  
 2 1.5K 1.5K 70240018 1.5K--1/4W--5%---CF--T&R  
 R164, R165  
 2 1.6K 1.6K 70240072 1.6K---1/4W--5%---CF--T&R  
 R78, R79  
 18 100 100 70240010 100---1/4W--5%---CF--T&R  
 R14, R30, R50, R56, R83, R85, R159,  
 R171, R186, R408, R508, R608, R708,  
 R808, R908, R1008, R1108, R1208  
 2 1000R35 1000R35 70320186 1000MF----20%---35VDC---EL--T&A  
 C47, C53  
 8 100K 100K 70240034 100K--1/4W--5%---CF--T&R  
 R5, R23, R34, R62, R74, R97, R250, R257  
 1 100R63 100R63 70320264 100MF----20%---63VDC---EL--T&A  
 C70  
 1 100W1 100W1 70210003 100---1W---5%---MO--T&R  
 R1  
 65 10K 10K 70240025 10K---1/4W--5%---CF--T&R  
 R2, R8, R31, R38, R80, R92, R101, R118,  
 R123, R130, R135, R152, R160, R169,  
 R175, R180, R183, R184, R191, R200,  
 R212, R218, R223, R230, R235, R251,  
 R318, R323, R330, R335, R400, R412,  
 R418, R423, R430, R518, R523, R530,  
 R600, R612, R618, R623, R630, R718,  
 R723, R730, R800, R812, R818, R823,  
 R830, R918, R923, R930, R1000, R1012,  
 R1018, R1023, R1113, R1118, R1123,  
 R1200, R1212, R1213, R1218  
 46 10KR 10KR 70242051 10KR---1/5W--5%---CF--T&A  
 R100, R112, R113, R201, R213, R300,  
 R301, R312, R313, R401, R413, R435,  
 R500, R501, R512, R513, R535, R601,  
 R613, R635, R700, R701, R712, R713,  
 R735, R801, R813, R835, R900, R901,  
 R912, R913, R935, R1001, R1013, R1030,  
 R1035, R1100, R1101, R1112, R1130,  
 R1135, R1201, R1223, R1230, R1235  
 8 120 120 70240011 120---1/4W--5%---CF--T&R  
 R172, R173, R178, R179, R187, R188,  
 R189, R190  
 4 12K 12K 70240057 12K---1/4W--5%---CF--T&R  
 R86, R90, R98, R155  
 1 14SRHDRU 73717074 73717074 14 PIN .100 S/R HEADER  
 J02  
 12 150K 150K 70240035 150K--1/4W--5%---CF--T&R  
 R134, R234, R334, R434, R534, R634,  
 R734, R834, R934, R1034, R1134, R1234  
 1 15K 15K 70240027 15K---1/4W--5%---CF--T&R  
 R252  
 2 180 180 70240012 180---1/4W--5%---CF--T&R  
 R12, R47  
 12 180K 180K 70240066 180K---1/4W--5%---CF--T&R  
 R125, R225, R325, R425, R525, R625,  
 R725, R825, R925, R1025, R1125, R1225  
 4 18K 18K 70240028 18K---1/4W--5%---CF--T&R  
 R3, R9, R32, R39  
 7 1K 1K 70240017 1K---1/4W--5%---CF--T&R

R67, R70, R156, R157, R192, R193, R256  
 12 1M 1M 70240039 1M---1/4W--5%---CF--T&R  
 R129, R229, R329, R429, R529, R629,  
 R729, R829, R929, R1029, R1129, R1229  
 10 1N4003 1N4003 70464003 1N4003 200V SILICON DIODE  
 CR56, CR57, CR58, CR60, CR61, CR63,  
 CR64, CR65, CR66, CR69  
 44 1N4148 4148 70464148 1N4148 75V 10MA SILICON DIODE  
 CR51, CR52, CR53, CR54, CR59, CR62,  
 CR67, CR68, CR100, CR101, CR102, CR200,  
 CR201, CR202, CR300, CR301, CR302,  
 CR400, CR401, CR402, CR500, CR501,  
 CR502, CR600, CR601, CR602, CR700,  
 CR701, CR702, CR800, CR801, CR802,  
 CR900, CR901, CR902, CR1000, CR1001,  
 CR1002, CR1100, CR1101, CR1102, CR1200,  
 CR1201, CR1202  
 1 1N751A 1N751A 70400751 1N751A 5.1V, .4W, 5% ZENER DIODE  
 CR50  
 6 2.2K 2.2K 70240020 2.2K--1/4W--5%---CF--T&R  
 R18, R21, R52, R59, R72, R73  
 28 2.2R50 2.2R50 70320180 2.2MF----20%---50VDC---EL--T&A  
 C61, C62, C63, C64, C100, C105, C200,  
 C205, C300, C305, C400, C405, C500,  
 C505, C600, C605, C700, C705, C800,  
 C805, C900, C905, C1000, C1005, C1100,  
 C1105, C1200, C1205  
 24 2.7K 2.7K 70240021 2.7K--1/4W--5%---CF--T&R  
 R116, R117, R216, R217, R316, R317,  
 R416, R417, R516, R517, R616, R617,  
 R716, R717, R816, R817, R916, R917,  
 R1016, R1017, R1116, R1117, R1216, R1217  
 3 2068 2068 70402068 NJM2068 DIP-LOW NOISE DUAL OPAMP  
 U20, U22, U24  
 3 22 22 70240007 22---1/4W--5%---CF--T&R  
 R13, R49, R84  
 3 220 220 70240058 220---1/4W--5%---CF--T&R  
 R81, R167, R168  
 12 220K 220K 70240036 220K--1/4W--5%---CF--T&R  
 R106, R206, R306, R406, R506, R606,  
 R706, R806, R906, R1006, R1106, R1206  
 3 220R 220R 70242054 220---1/5W--5%---CF--T&A  
 R108, R208, R308  
 4 220R50 220R50 70320187 220MF----20%---50VDC---EL--T&A  
 C1, C65, C67, C69  
 1 22FP 22FP 70240100 22FP--1/4W--5%---FP----  
 R001  
 22 22K 22K 70240029 22K---1/4W--5%---CF--T&R  
 R7, R22, R37, R60, R71, R75, R76, R82,  
 R95, R128, R158, R228, R328, R428, R528,  
 R628, R728, R828, R928, R1028, R1128,  
 R1228  
 72 22R50 22R50 70320181 22MF----20%---50VDC---EL--T&A  
 C2, C4, C6, C7, C9, C10, C13, C14, C15,  
 C17, C19, C20, C22, C23, C24, C26, C29,  
 C31, C32, C33, C35, C36, C38, C40, C41,  
 C43, C45, C46, C48, C49, C51, C54, C55,  
 C57, C58, C60, C101, C103, C104, C201,  
 C203, C204, C301, C303, C304, C401,  
 C403, C404, C501, C503, C504, C601,  
 C603, C604, C701, C703, C704, C801,  
 C803, C804, C901, C903, C904, C1001,  
 C1003, C1004, C1101, C1103, C1104,  
 C1201, C1203, C1204  
 1 240K 240K 70241094 240K--1/4W--5%---CF--T&R  
 R255  
 1 2N3904 3904 70463904 3904/SPS7239 TO 92 NPN  
 Q18  
 12 3.3K 3.3K 70240022 3.3K--1/4W--5%---CF--T&R  
 R127, R227, R327, R427, R527, R627,  
 R727, R827, R927, R1027, R1127, R1227  
 48 3.9K 3.9K 70241093 3.9K--1/4W--5%---CF--AXL  
 R104, R105, R111, R124, R204, R205,  
 R211, R224, R304, R305, R311, R324,  
 R404, R405, R411, R424, R504, R505,  
 R511, R524, R604, R605, R611, R624,  
 R704, R705, R711, R724, R804, R805,  
 R811, R824, R904, R905, R911, R924,  
 R1004, R1005, R1011, R1024, R1104,  
 R1105, R1111, R1124, R1204, R1205,  
 R1211, R1224  
 1 33K 33K 70240030 33K---1/4W--5%---CF--T&R  
 R254  
 10 39K 39K 70240048 39K---1/4W--5%---CF--T&R  
 R77, R93, R153, R161, R166, R170, R176,  
 R181, R185, R194  
 20 39PF 39PF 70340052 39PF-----50VDC---T/C---T&R  
 C3, C5, C8, C11, C12, C16, C18, C21,  
 C25, C27, C28, C30, C34, C37, C39, C42,  
 C44, C50, C56, C59

2 3K 3K 70240071 3K---1/4W--5%---CF--T&R  
 R68, R69  
 1 3SRHRAD 73719080 73719080 3 PIN S/R R/A HDR .100 W/LOCK -DOWN  
 J01  
 24 4.7 4.7 70240002 4.7---1/4W--5%---CF--T&R  
 R114, R138, R214, R238, R314, R338,  
 R414, R438, R514, R538, R614, R638,  
 R714, R738, R814, R838, R914, R938,  
 R1014, R1038, R1114, R1138, R1214, R1238  
 32 4.7K 4.7K 70240023 4.7K--1/4W--5%---CF--T&R  
 R10, R15, R64, R65, R87, R94, R120,  
 R131, R139, R140, R220, R231, R320,  
 R331, R420, R431, R520, R531, R620,  
 R631, R720, R731, R820, R831, R920,  
 R931, R1020, R1031, R1120, R1131, R1220,  
 R1231  
 24 4.99KP1 4.99KP1 70241060 4.99K-1/4W--1%---MF--T&R  
 R107, R132, R207, R232, R307, R332,  
 R407, R432, R507, R532, R607, R632,  
 R707, R732, R807, R832, R907, R932,  
 R1007, R1032, R1107, R1132, R1207, R1232  
 8 4560 4560 70414560 4560 DUAL OP AMP IC  
 U19, U21, U23, U25, U26, U27, U28, U29  
 18 4560SIP 4560 70424560 BA4560N, DUAL OP AMP IC-SIP  
 U1, U2, U3, U4, U5, U6, U7, U8, U9, U10,  
 U11, U12, U13, U14, U15, U16, U17, U18  
 24 47 47 70240008 47---1/4W--5%---CF--T&R  
 R136, R137, R236, R237, R336, R337,  
 R436, R437, R536, R537, R636, R637,  
 R736, R737, R836, R837, R936, R937,  
 R1036, R1037, R1136, R1137, R1236, R1237  
 4 470 470 70240015 470---1/4W--5%---CF--T&R  
 R44, R162, R163, R249  
 4 470K 470K 70240038 470K--1/4W--5%---CF--T&R  
 R40, R41, R42, R43  
 24 470PF 470PF 70340058 470PF-----10%---50VDC---T/C---T&R  
 C102, C114, C202, C214, C302, C314,  
 C402, C414, C502, C514, C602, C614,  
 C702, C714, C802, C814, C902, C914,  
 C1002, C1014, C1102, C1114, C1202, C1214  
 48 470PFM 470PFM 70330118 470pf 5% 50vdc my T&A  
 C109, C112, C113, C115, C209, C212,  
 C213, C215, C309, C312, C313, C315,  
 C409, C412, C413, C415, C509, C512,  
 C513, C515, C609, C612, C613, C615,  
 C709, C712, C713, C715, C809, C812,  
 C813, C815, C909, C912, C913, C915,  
 C1009, C1012, C1013, C1015, C1109,  
 C1112, C1113, C1115, C1209, C1212,  
 C1213, C1215  
 12 470R6.3 470R6.3 70320183 470MF----20%---6.3VDC---EL--T&A  
 C108, C208, C308, C408, C508, C608,  
 C708, C808, C908, C1008, C1108, C1208  
 22 47K 47K 70240031 47K--1/4W--5%---CF--T&R  
 R11, R16, R17, R20, R24, R26, R29, R33,  
 R48, R51, R55, R57, R63, R66, R91, R154,  
 R174, R182, R195, R196, R197, R198  
 24 47V50 47V50 70320182 47MF----20%---50VDC---LL--T&A  
 C107, C116, C207, C216, C307, C316,  
 C407, C416, C507, C516, C607, C616,  
 C707, C716, C807, C816, C907, C916,  
 C1007, C1016, C1107, C1116, C1207, C1216  
 3 47W1 47W1 70210011 47---1W---5%---MO--T&R  
 R4, R25, R248  
 1 4RCA15 4RCA15 71466392 QUAD 15MM RCA JACK, CIRCUIT BOARD  
 J12  
 24 560 560 70240050 560---1/4W--5%---CF--T&R  
 R103, R133, R203, R233, R303, R333,  
 R403, R433, R503, R533, R603, R633,  
 R703, R733, R803, R833, R903, R933,  
 R1003, R1033, R1103, R1133, R1203, R1233  
 6 56K 56K 70240026 56K 1/4W 5% CF T&R  
 R6, R19, R27, R36, R46, R61  
 24 6.81KP1 6.81KP1 70241043 6.81K-1/4W--1%---MF--T&R  
 R121, R126, R221, R226, R321, R326,  
 R421, R426, R521, R526, R621, R626,  
 R721, R726, R821, R826, R921, R926,  
 R1021, R1026, R1121, R1126, R1221, R1226  
 28 6534 6534 70466533 MPS-6533/34 TO-92 PNP TRANS T&A  
 Q7, Q8, Q9, Q11, Q12, Q15, Q21, Q22,  
 Q31, Q32, Q41, Q42, Q51, Q52, Q61, Q62,  
 Q71, Q72, Q81, Q82, Q91, Q92, Q101,  
 Q102, Q111, Q112, Q121, Q122  
 24 680P1 680P1 70241005 680---1/4W--1%  
 R115, R122, R215, R222, R315, R322,  
 R415, R422, R515, R522, R615, R622,  
 R715, R722, R815, R822, R915, R922,  
 R1015, R1022, R1115, R1122, R1215, R1222  
 15 68K 68K 70240032 68K---1/4W--5%---CF--T&R  
 R53, R54, R110, R210, R253, R310, R410,

1 7815FT2 7815F R510, R610, R710, R810, R910, R1010,  
 R1110, R1210  
 70400318 7815F 3-TERM +15V TO-220 RG.  
 Q1  
 24 786 786 70460786 2SD-786S NPN TRANS T&A  
 Q10, Q13, Q20, Q23, Q30, Q33, Q40, Q43,  
 Q50, Q53, Q60, Q63, Q70, Q73, Q80, Q83,  
 Q90, Q93, Q100, Q103, Q110, Q113, Q120,  
 Q123  
 1 7915FT2 7915F 70400319 7915F 3-TERM -15V TO-220 RG.  
 Q2  
 28 8.2K 8.2K 70240049 8.2K--1/4W--5%----CF--T&R  
 R28, R35, R45, R58, R102, R109, R202,  
 R209, R302, R309, R402, R409, R502,  
 R509, R602, R609, R702, R709, R802,  
 R809, R902, R909, R1002, R1009, R1102,  
 R1109, R1202, R1209  
 2 820 820 70240019 820---1/4W--5%----CF--T&R  
 R150, R151  
 1 B1332 B1332 70421332 2SB1332 PNP PWR XSISTOR T&A  
 Q17  
 1 D2008 D2008 70422008 2SD2008 NPN PWR XSISTOR T&A  
 Q16  
 1 DPDT2311 DPDT2311 71322311 DPDT TINY ROCKER SWITCH  
 S1  
 12 FXLR 71466218 71466218 MACH INSERT FEMALE XLR CON  
 J100, J200, J300, J400, J500, J600,  
 J700, J800, J900, J1000, J1100, J1200  
 10 HIDMNI 71466214 71466214 2 TIP HID JACK NINS W/SPD  
 J2, J3, J4, J5, J6, J7, J8, J9, J10, J11  
 1 HIDS1 71466216 71466216 STEREO HID JACK INSU W/SPD  
 J1  
 12 HIDSNI 71466217 71466217 STEREO HID JACK NINS W/SPD  
 J101, J201, J301, J401, J501, J601,  
 J701, J801, J901, J1001, J1101, J1201  
 -6 J2 J 70600004 22GA JUMPER WIRES T&A  
 JP200, JP201, JP202, JP203, JP204,  
 JP205, JP206, JP207, JP208, JP209,  
 JP210, JP211,  
 32 LEDG6 LEDG6 70450051 LED, T-1, GRN, W/.500" SPCR - T&A  
 CR1, CR2, CR3, CR4, CR5, CR6, CR7, CR8,  
 CR13, CR14, CR15, CR16, CR17, CR18,  
 CR19, CR20, CR25, CR26, CR27, CR28,  
 CR29, CR30, CR31, CR32, CR37, CR38,  
 CR39, CR40, CR41, CR42, CR43, CR44  
 17 LEDR6 LEDR6 70450050 LED, T-1, RED, W/.500" SPCR - T&A  
 CR12, CR24, CR36, CR48, CR55, CR104,  
 CR204, CR304, CR404, CR504, CR604,  
 CR704, CR804, CR904, CR1004, CR1104,  
 CR1204  
 12 LEDY6 LEDY6 70450052 LED, T-1, YEL, W/.500" SPCR - T&A  
 CR9, CR10, CR11, CR21, CR22, CR23, CR33,  
 CR34, CR35, CR45, CR46, CR47  
 12 LM339 LM339 70400339 LM339 QUAD DIFFERENTIAL COMPARATOR  
 U30, U31, U32, U33, U34, U35, U36, U37,  
 U38, U39, U40, U41  
 16 MPSA13 A13 70460013 MPS-A13 NPN DARLINGTON TRANS T&A  
 Q3, Q4, Q5, Q6, Q14, Q24, Q34, Q44, Q54,  
 Q64, Q74, Q84, Q94, Q104, Q114, Q124  
 36 POT0701 71190701 71190701 50KB 12MM HPC ROTARY POT W/DTT  
 VR101, VR102, VR103, VR201, VR202,  
 VR203, VR301, VR302, VR303, VR401,  
 VR402, VR403, VR501, VR502, VR503,  
 VR601, VR602, VR603, VR701, VR702,  
 VR703, VR801, VR802, VR803, VR901,  
 VR902, VR903, VR1001, VR1002, VR1003,  
 VR1101, VR1102, VR1103, VR1201, VR1202,  
 VR1203  
 70 POT0702 71190702 71190702 10KB 12MM HPC ROTARY POT  
 VR5, VR6, VR9, VR10, VR11, VR13, VR14,  
 VR15, VR17, VR18, VR104, VR105, VR106,  
 VR107, VR108, VR204, VR205, VR206,  
 VR207, VR208, VR304, VR305, VR306,  
 VR307, VR308, VR404, VR405, VR406,  
 VR407, VR408, VR504, VR505, VR506,  
 VR507, VR508, VR604, VR605, VR606,  
 VR607, VR608, VR704, VR705, VR706,  
 VR707, VR708, VR804, VR805, VR806,  
 VR807, VR808, VR904, VR905, VR906,  
 VR907, VR908, VR1004, VR1005, VR1006,  
 VR1007, VR1008, VR1104, VR1105, VR1106,  
 VR1107, VR1108, VR1204, VR1205, VR1206,  
 VR1207, VR1208  
 5 POT0704 POT0704 71190704 10KA DUAL 16MM HPC ROTARY POT  
 VR7, VR8, VR12, VR16, VR20  
 12 POT0709 71190709 71190709 25K SPL TAPER 12MM HPC  
 VR100, VR200, VR300, VR400, VR500,  
 VR600, VR700, VR800, VR900, VR1000,  
 VR1100, VR1200  
 16 SPOT0122 71190122 71190122 10K LOG SLIDE POT - 60MM

VR1, VR2, VR3, VR4, VR109, VR209, VR309,  
 VR409, VR509, VR609, VR709, VR809,  
 VR909, VR1009, VR1109, VR1209  
 1 SW2356 71322356 71322356 DPDT PUSH BUTTON SW 2.8MM SQ SHAFT  
 S2  
 1 WJX WJX XXXXXXXX XXXXXXXX  
 J03  
 \*\*\*\*\*  
 \* END OF BILL OF MATERIALS REPORT \*  
 \*\*\*\*\*