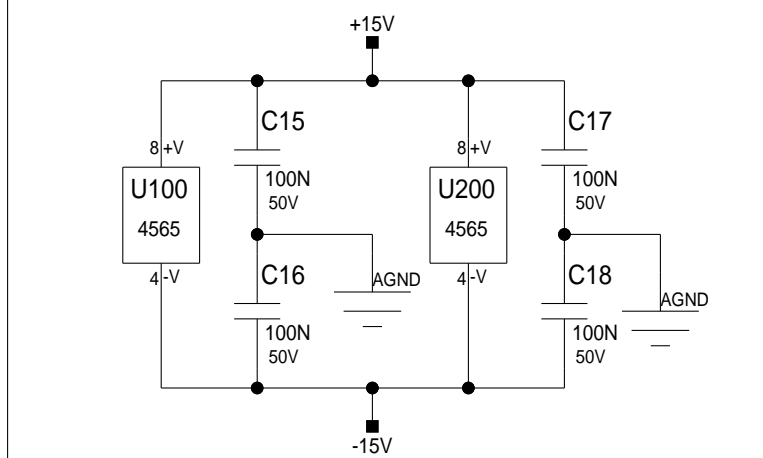
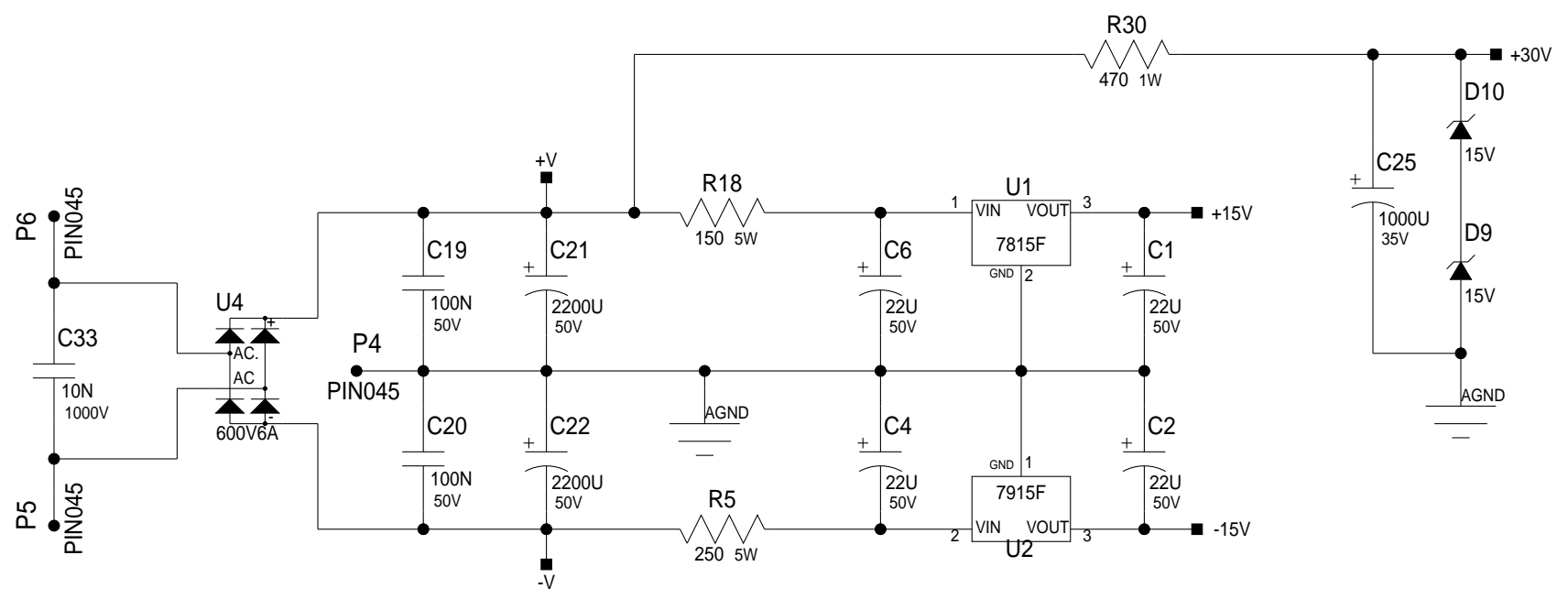
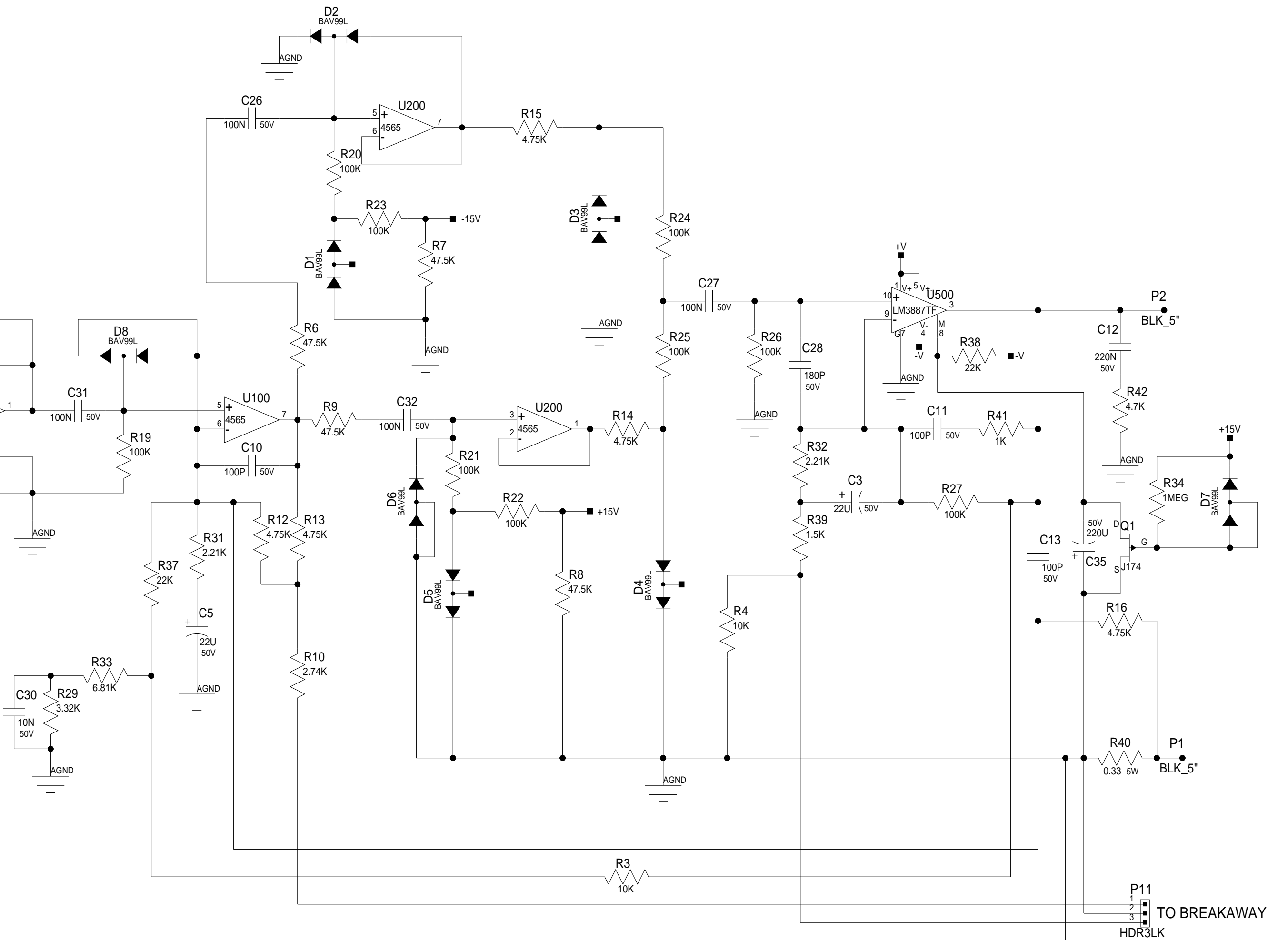
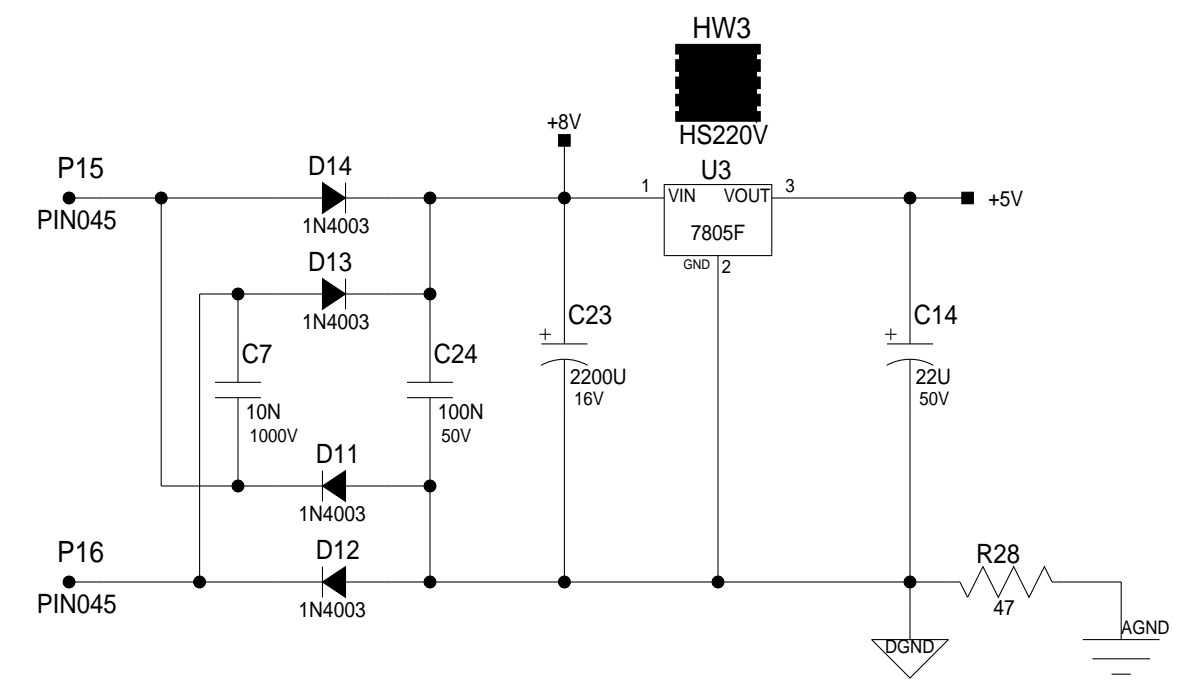
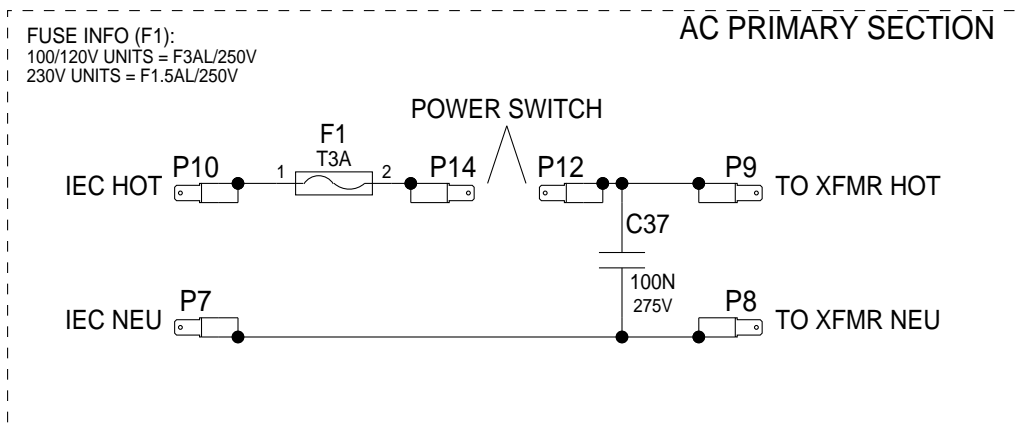
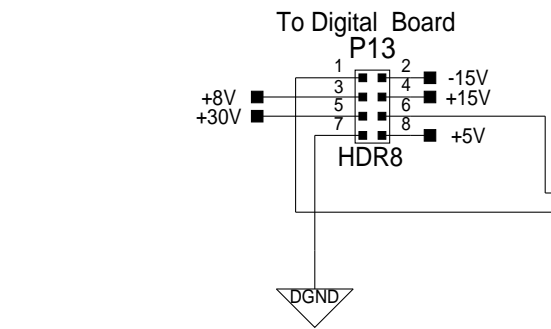


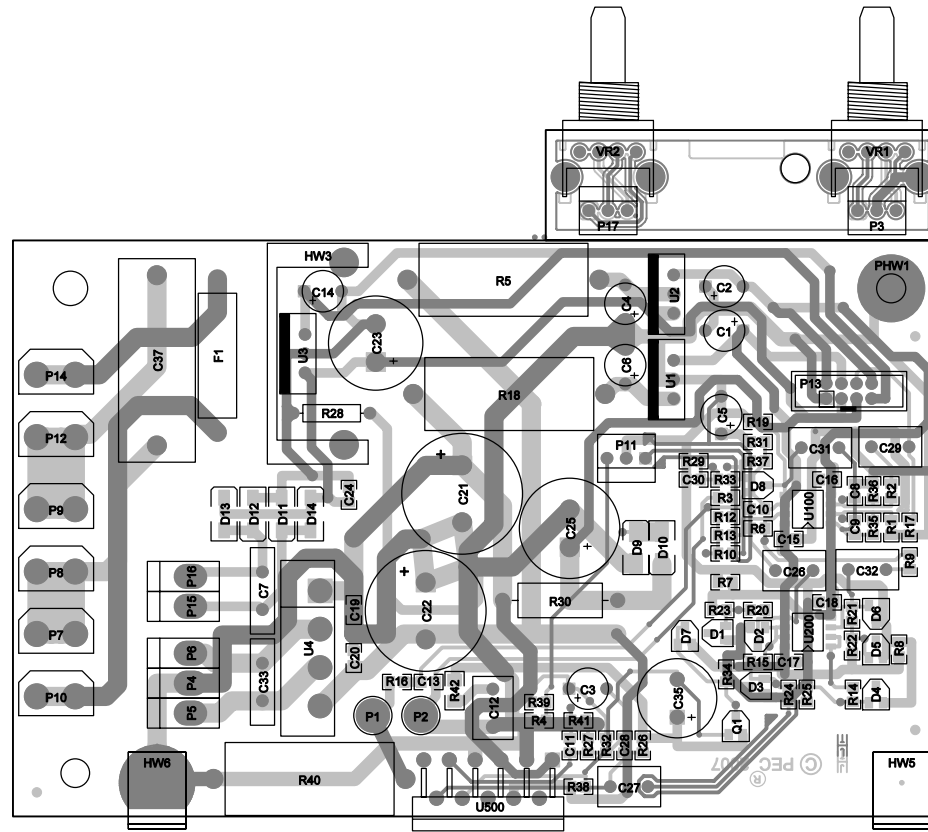
(STANDOFF CHASSIS GROUND)
PHW1



PEAVEY
Peavey Electronics Corp.
P. O. Box 2898
Meridian, MS 39301

Title: **VYPYR 75**
Sheet Title: **POWER AMP**

C Sheet 1 of 1 Date: 12-16-2008_11:16



BILL OF MATERIAL REPORT

REPORT DATE/TIME: 11/13/2008 3:54:24 PM

BOARD NAME: Vypyr 75 Power Amp ASSEMBLY LEVEL NUMBER: 29098051

PROJECT NUMBER: P0600082 DESIGNER: FJE

Qty.	Part #	Description	Reference Designators

--			
1	30200025	4.7K 1/4W 5% MF 1206	R42
4	30200169	22K 1/10W 5% MF 0805	R35 R36 R37 R38
4	30200174	10K 1/10W 1% MF 0805	R1 R2 R3 R4
1	30200188	1.00K 1/10W 1% MF 0805	R41
1	30200190	1.50K 1/10W 1% MF 0805	R39
10	30200194	100K 1/10W 1% MF 0805	R17 R19 R20 R21 R22 R23 R24 R25 R26 R27
1	30200195	1.00M 1/10W 1% MF 0805	R34
1	30200202	3.32K 1/10W 1% MF 0805	R29
4	30200205	47.5K 1/10W 1% MF 0805	R6 R7 R8 R9
1	30200248	2.74K 1/10W 1% MF 0805	R10
5	30200251	4.75K 1/10W 1% MF 0805	R12 R13 R14 R15 R16
2	30200267	2.21K 1/10W 1% MF 0805	R31 R32
1	30200328	6.81K 1/10W 1% MF 0805	R33
1	30210026	470 1W 5% MO AXL	R30
1	30240090	47 1/4W 5% FP AXL	R28
5	30300088	100PF 50V 5% NPO 0805	C8 C9 C10 C11 C13
7	30300093	0.1UF 50V 10% X7R 0805	C15 C16 C17 C18 C19 C20 C24

1	30300116	0.01UF 50V 5% X7R 0805	C30
1	30300169	180PF 50V 5% NPO 0805	C28
2	30320099	0.01UF 1000V 80-20% Z5U	C7 C33
7	30320181	22UF 50V 20% EL RAD	C1 C2 C3 C4 C5 C6 C14
1	30320186	1000UF 35V 20% EL RAD	C25
1	30320187	220UF 50V 20% EL RAD	C35
1	30320298	0.1UF 275V 20% "X" RADH	C37
2	30320319	2200UF 50V 20% EL RADH	C21 C22
1	30320674	2200UF 16V 20% EL RAD	C23
1	30330128	0.22UF 50V 5% PE RAD	C12
5	30330129	0.1UF 50V 5% PE RAD	C26 C27 C29 C31 C32
1	30400318	7815F +15V INS TO-220F HOR	U1
1	30400319	7915 -15V INS TO-220F HOR	U2
1	30400322	7805F +5V INSUL TO-220F	U3
1	30400605	BR RECT INLINE 600V 6A	U4
1	30403887	LM3886TF 68W AUDIO PWR AMP W/MUT	U500
1	30418139	J-174 P-JFET 30V SOT23	Q1
4	30418261	1N4003 - SMT - SMA PKG	D11 D12 D13 D14
2	30418504	15V 1.5W ZENER SMA	D9 D10
2	30418506	4565 DUAL OPAMP SOIC8W	U100 U200
8	30418655	UNAP BAV99L DUAL 4148 DIODE SO	D1 D2 D3 D4 D5 D6 D7 D8
2	30651206	BLK 16G 5" CPTX2	P1 P2
1	30900629	AAVID VER TO220 HEATSINK	HW3
1	30901182	FUSE, 3A 250V 2AG T&R	F1
1	31190903	20KB SNGL 12MM HOR	VR1
1	31190914	10K15A/RA SNGL R/A D-SHFT	VR2

2	31500238	#741 LBRACKET W/4-40 HOLE	HW5 HW6
1	31600255	250 5W 10% WW AXLH SL	R5
1	31600256	0.33 5W 10% WW AXLH SL	R40
1	31600261	150 5W 10% WW AXLH SL	R18
1	33713813	WR-TO-BD CRIMP TERM 18GA	PHW1
6	33716194	SPADE .250 PC MNT .093	P7 P8 P9 P10 P12 P14
5	33717003	1 STAKE PIN .045 .625 TIN	P4 P5 P6 P15 P16
3	33717013	3 HDR V SR .100" TIN LK	P3 P11 P17
1	33717359	8 HDR V DR 2MM GOLD	P13
3	FIDUCIAL	????????????????????????????????	FID1 FID2 FID3
1	TAB_VCI	????????????????????????????????	TAB1

 END OF BILL OF MATERIAL REPORT
