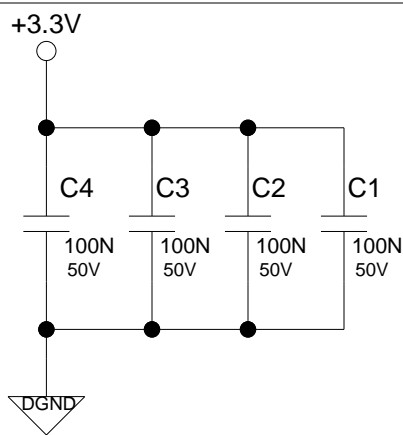


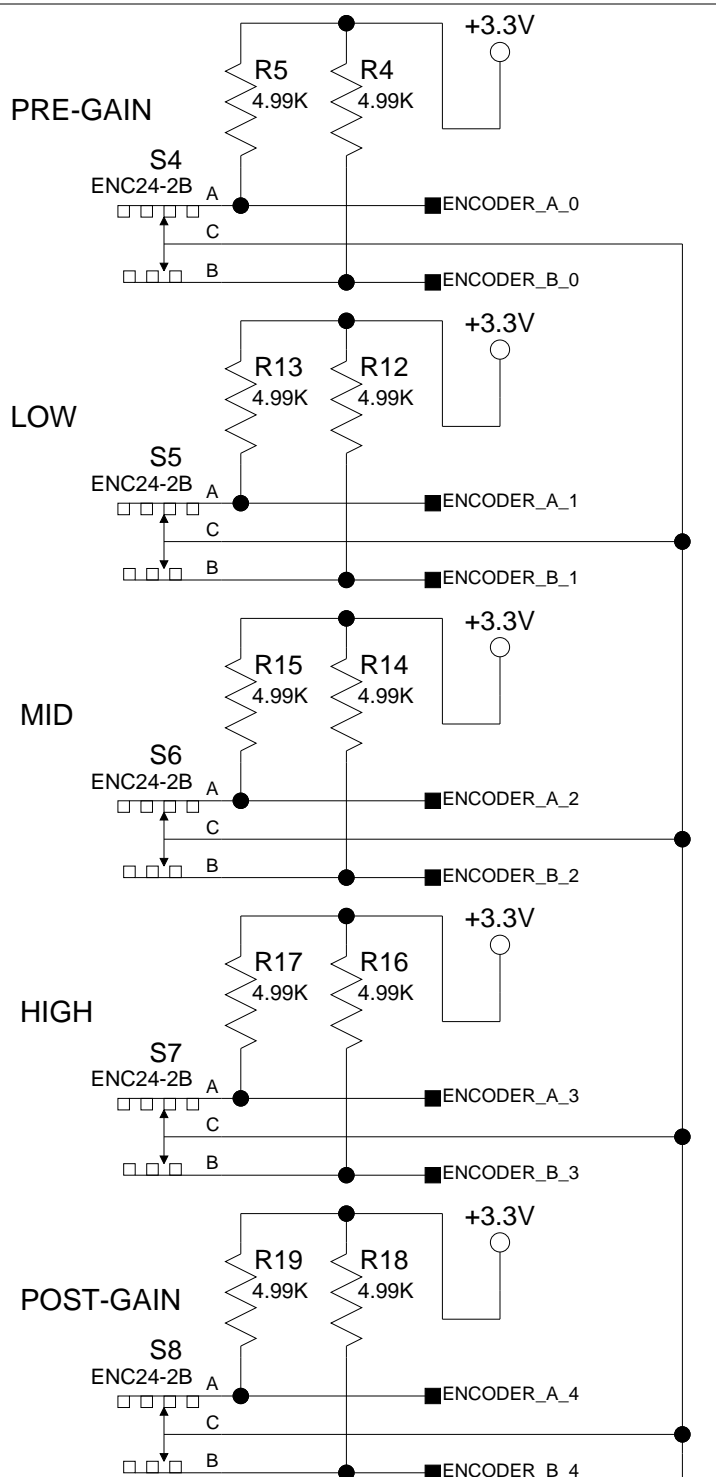
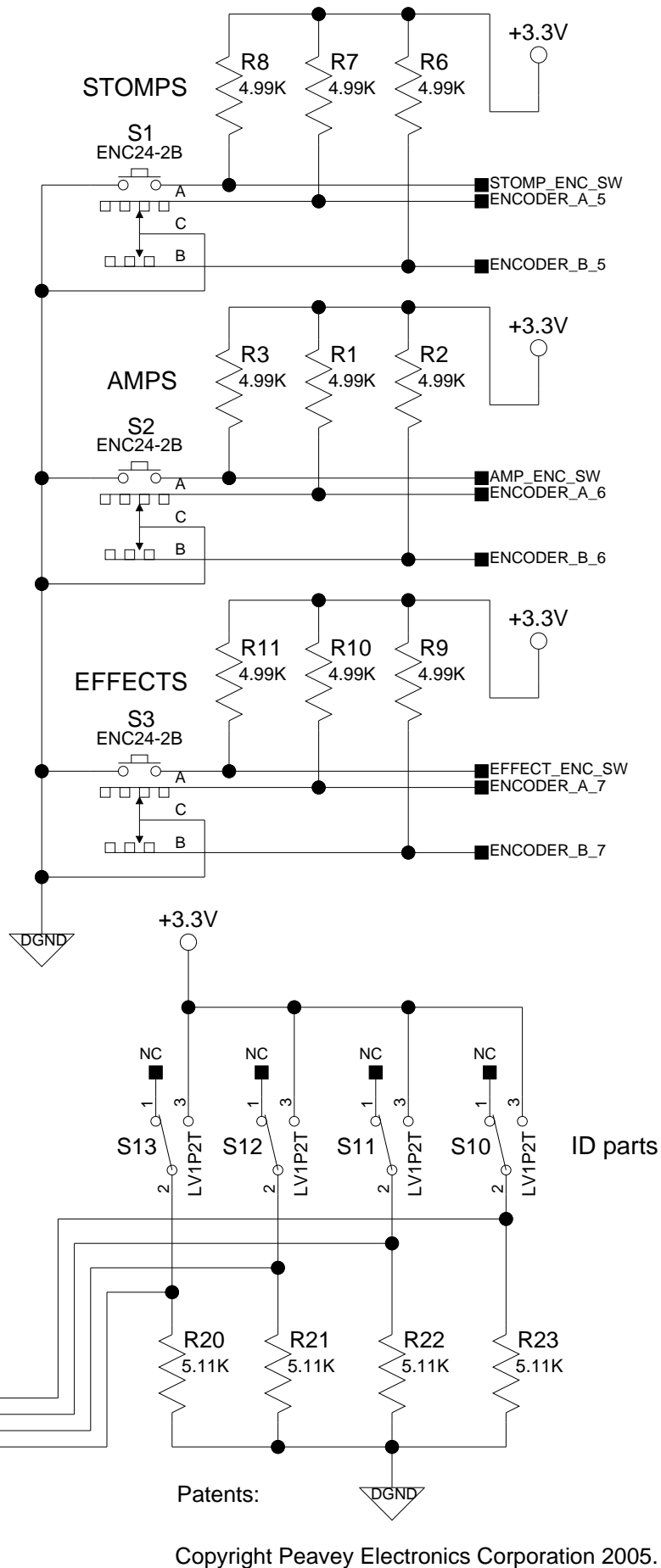
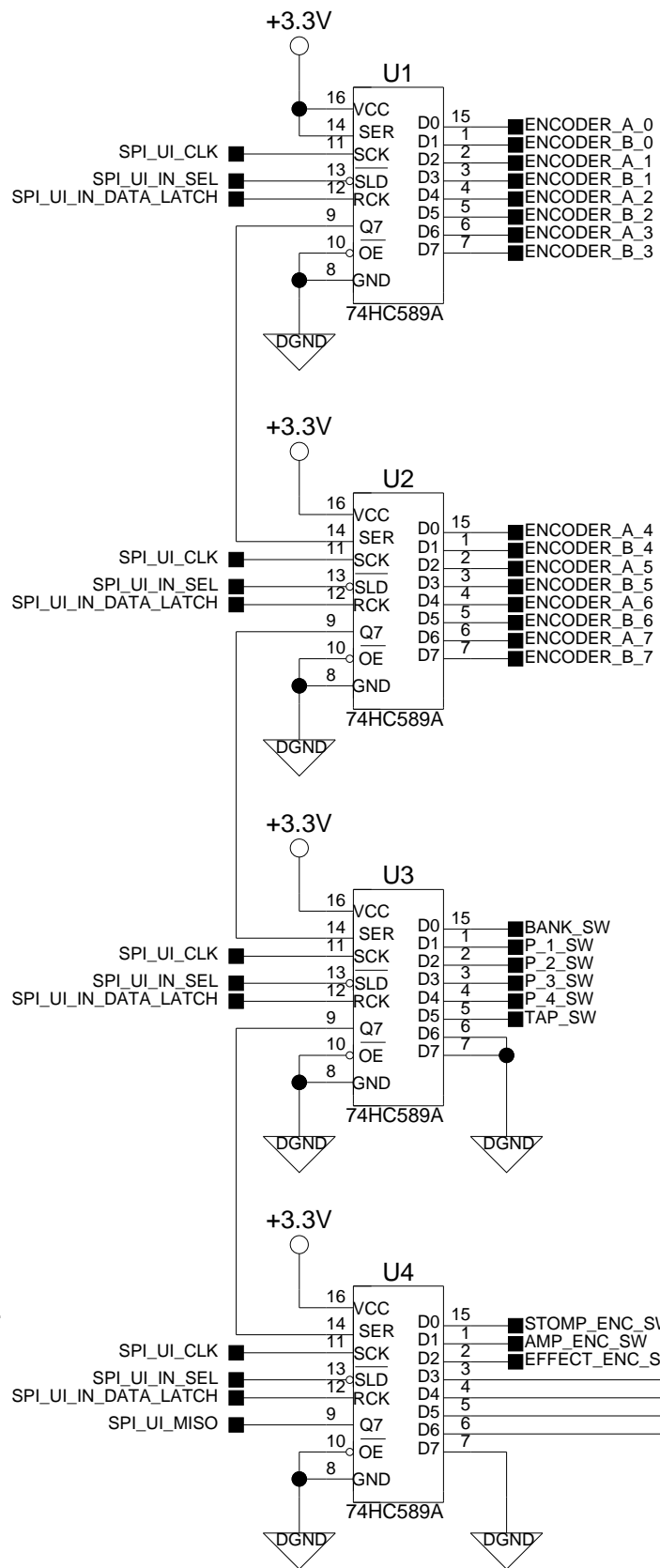
REV	Eng	Date:	Revision Description	ECN#
A				
B				
C				
D				
E				
F				

INDEX

SHEET	DESCRIPTION



Note: All thru hole Resistors are 1/4 Watt unless otherwise indicated.
 All SMT 1206 Resistors are 1/4 Watt.
 All SMT 0805 Resistors are 1/10 Watt.
 Note Capacitor Values are indicated as Follows:
 val P = pF (picoFarads) val * 10 exp-12
 val N = nF (nanoFarads) val * 10 exp-9 (1N=1000pF, 100N=0.1uF)
 val U = uF (microFarads) val * 10 exp-6



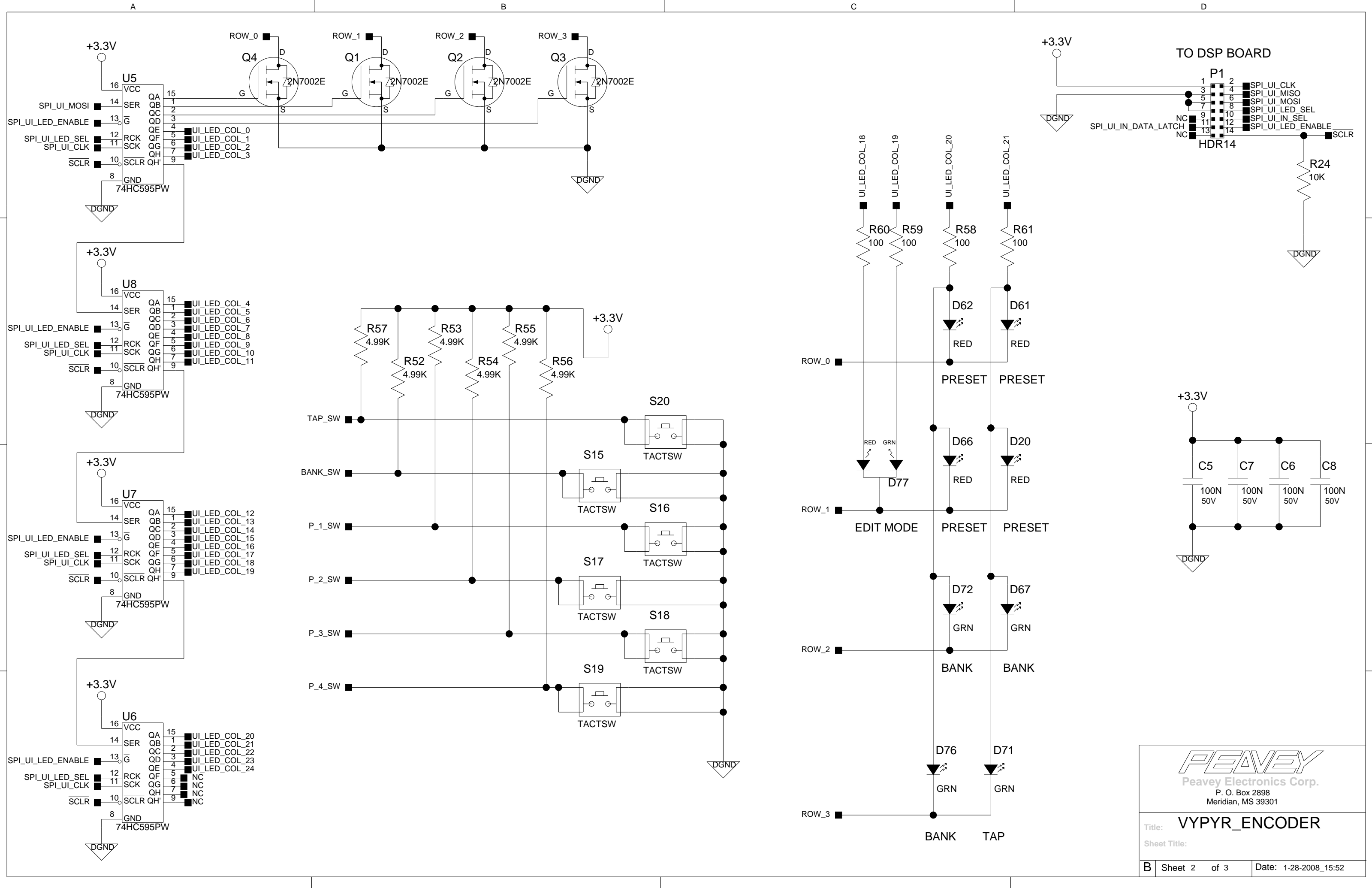
Company Proprietary Information

Patents: _____
 Copyright Peavey Electronics Corporation 2005.

PEAVEY
 Peavey Electronics Corp.
 P. O. Box 2898
 Meridian, MS 39301

Product: _____
 Title: **VYPYR_ENCODER**
 Project Number: _____

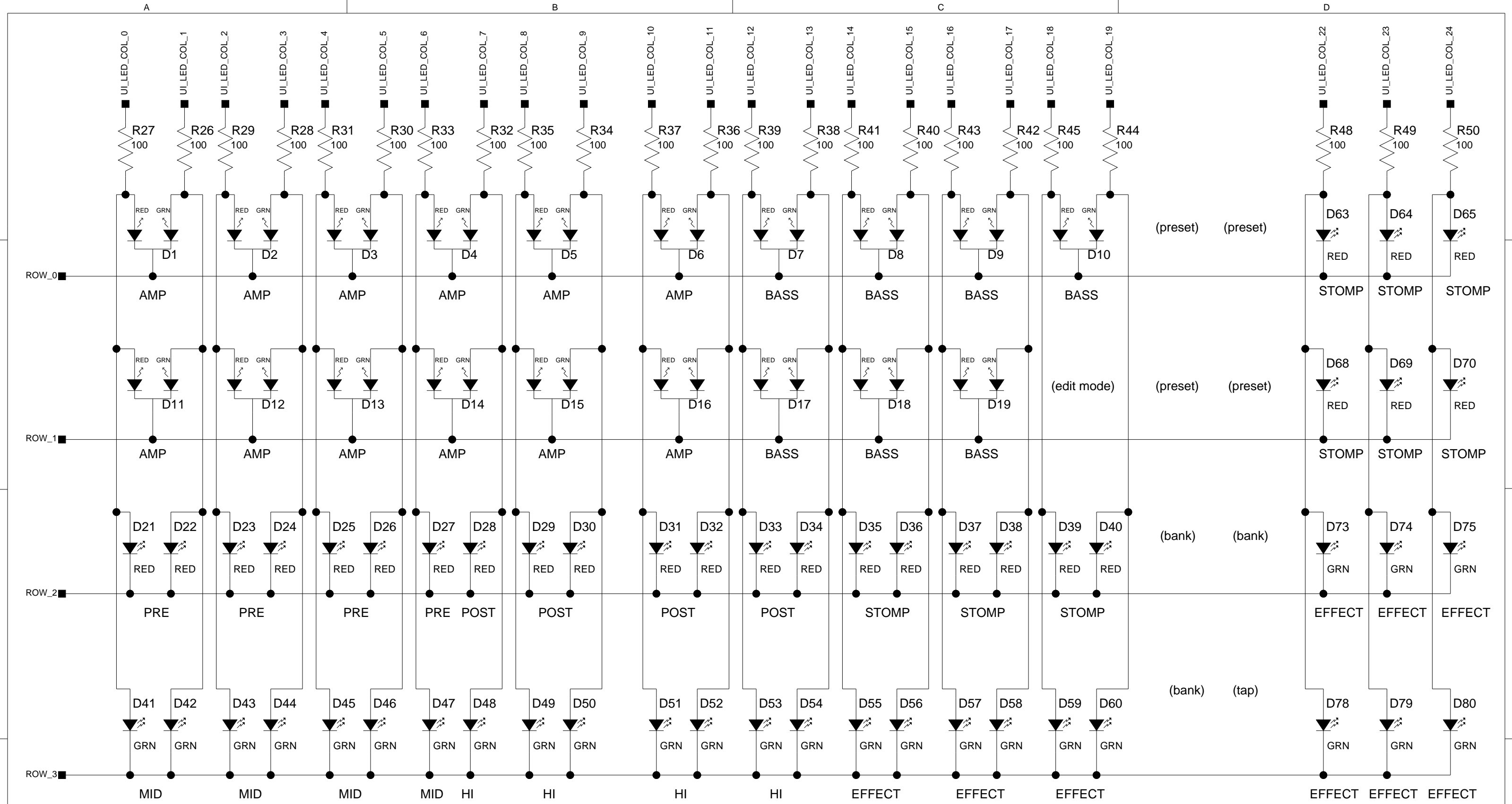
Eng: B	Release Date: _____
Sheet 1 of 3	
Saved: 2-4-2008_17:12	



Title: **VYPYR_ENCODER**

Sheet Title:

B Sheet 2 of 3 Date: 1-28-2008_15:52

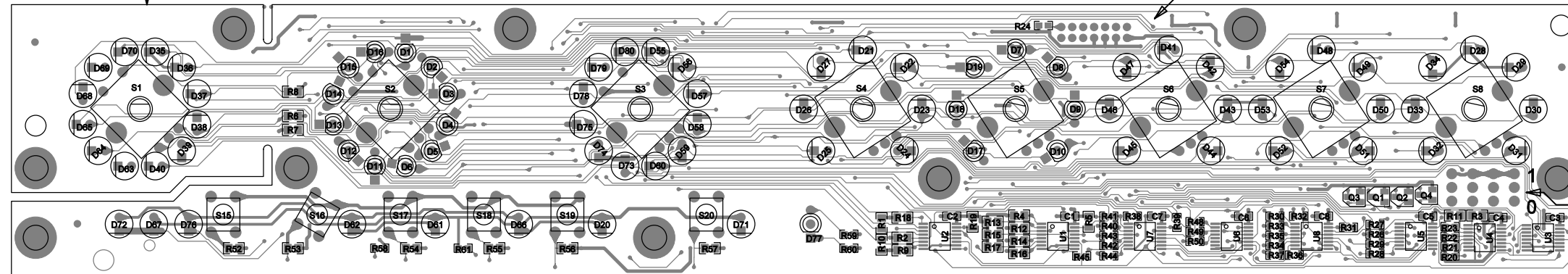


Title: VYPYR_ENCODER
Sheet Title:

PRIMARY SIDE VIEW

FOR ASSEMBLY 29098500
BREAK OFF AND DISCARD

MOUNT ON SECONDARY SIDE

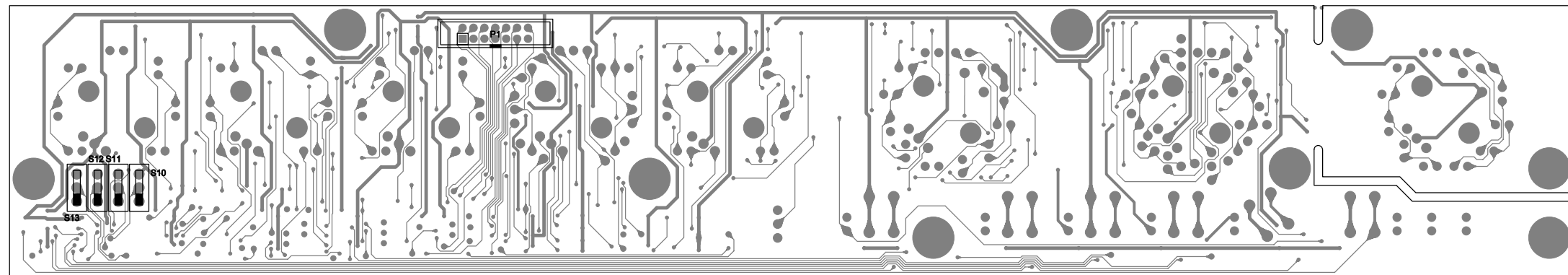


MOUNT SWITCHES ON
SECONDARY SIDE
DO NOT INSTALL S13

FOR 29098500 ASSEMBLY
DO NOT STUFF

S13	S12	S11	S10
D35	D36	D37	D38
D39	D40	D63	D64
D65	D68	D69	D70
S1			

	S13	S12	S11	S10
VYPYR 15 ENCODER	NA / 0	NA / 0	NA / 0	NA / 0
VYPYR 30 ENCODER	0	0	0	1
VYPYR 75 ENCODER	0	0	1	0
VYPYR 100 ENCODER	0	0	1	1
VYPYR 60T ENCODER	0	1	0	0
VYPYR 120T ENCODER	0	1	0	1



BILL OF MATERIAL REPORT

REPORT DATE/TIME: 5/14/2008 9:33:45 AM

BOARD NAME: VYPYR 15 Encoder ASSEMBLY LEVEL NUMBER: 29098500

PROJECT NUMBER: P0600081 DESIGNER: LFL

Qty.	Part #	Description	Reference Designators

--			
25	30200173	4.99K 1/10W 1% MF 0805	R1 R2 R3 R4 R5 R6 R7 R8 R9 R10 R11 R12 R13 R14 R15 R16 R17 R18 R19 R52 R53 R54 R55 R56 R57
27	30200287	100 1/10W 1% MF 0603	R26 R27 R28 R29 R30 R31 R32 R33 R34 R35 R36 R37 R38 R39 R40 R41 R42 R43 R44 R45 R48 R49 R50 R58 R59 R60 R61
1	30200289	10K 1/10W 1% MF 0603	R24
4	30200472	5.11K 1/10W 1% MF 0603	R20 R21 R22 R23
8	30300128	0.1UF 50V 10% Y5V 0603	C1 C2 C3 C4 C5 C6 C7 C8
4	30418369	2N7002E N CH 60V MOSFET	Q1 Q2 Q3 Q4
4	30418588	74HC595PW 8-TRI SHIFT REG SMT	U5 U6 U7 U8
4	30418732	74HC589 8-BIT SHIFT REGISTER	U1 U2 U3 U4
18	30450598	RED LED T1 BULK NO STOP	D20 D21 D22 D23 D24 D25 D26 D27 D28 D29 D30 D31 D32 D33 D34 D61 D62 D66
30	30450599	GREEN LED T1 BULK NO STOP	D41 D42 D43 D44 D45 D46 D47 D48

			D49 D50 D51 D52 D53 D54 D55 D56 D57 D58 D59 D60 D67 D71 D72 D73 D74 D75 D76 D78 D79 D80
20	30450601	BICOLOR LED R/G T1 BULK	D1 D2 D3 D4 D5 D6 D7 D8 D9 D10 D11 D12 D13 D14 D15 D16 D17 D18 D19 D77
2	31322505	ENCNDR 24P 24D 2BIT SW PC V	S2 S3
5	31322506	ENCNDR 24P 0D 2BIT PC V	S4 S5 S6 S7 S8
6	31322542	VERTICAL TACT SWITCH 6X6MM	S15 S16 S17 S18 S19 S20
1	33717361	14 HDR V DR 2MM GOLD	P1
3	FIDUCIAL	????????????????????????????????	FD1 FD2 FD3
7	HOLE_037	????????????????????????????????	X1 X2 X3 X4 X5 X6 X7
1	TAB_VCI	????????????????????????????????	TAB1

 END OF BILL OF MATERIAL REPORT
