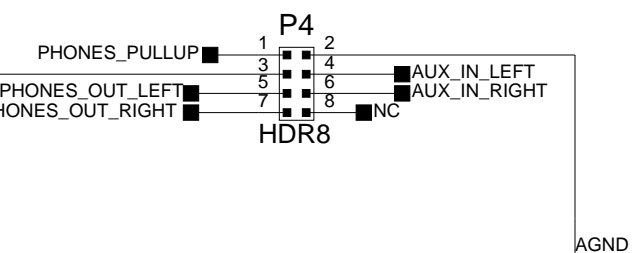
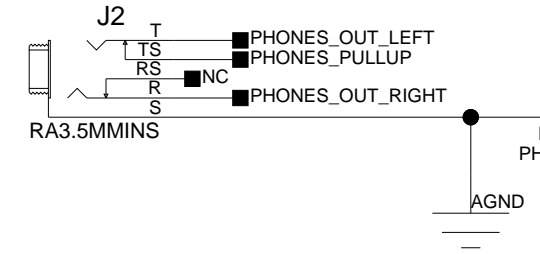
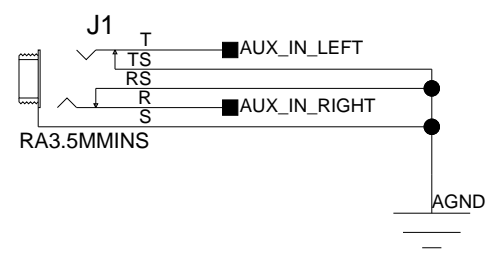
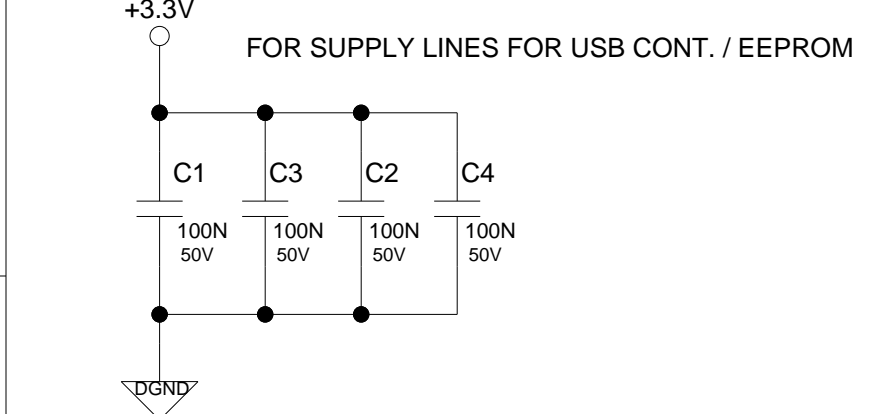
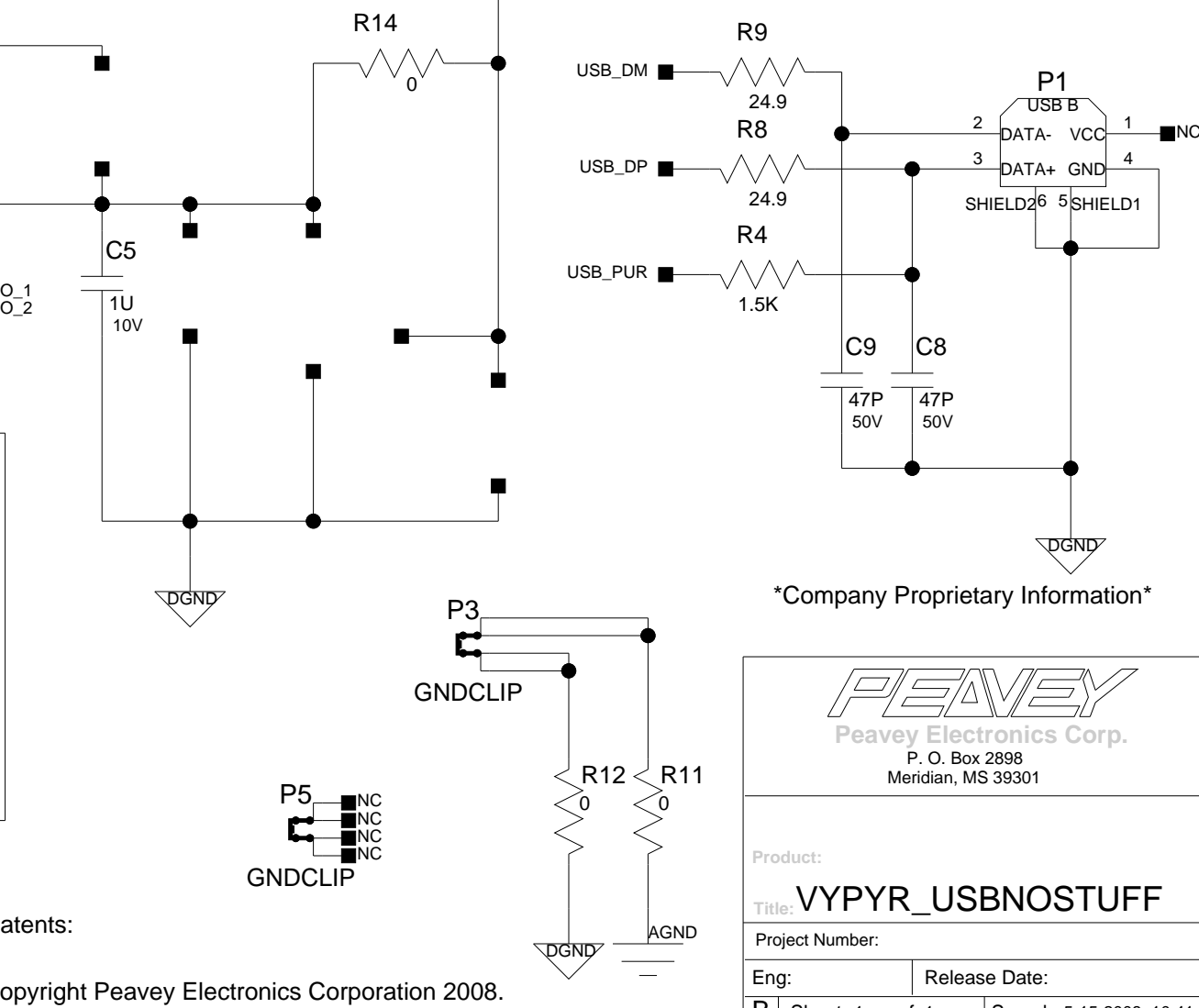
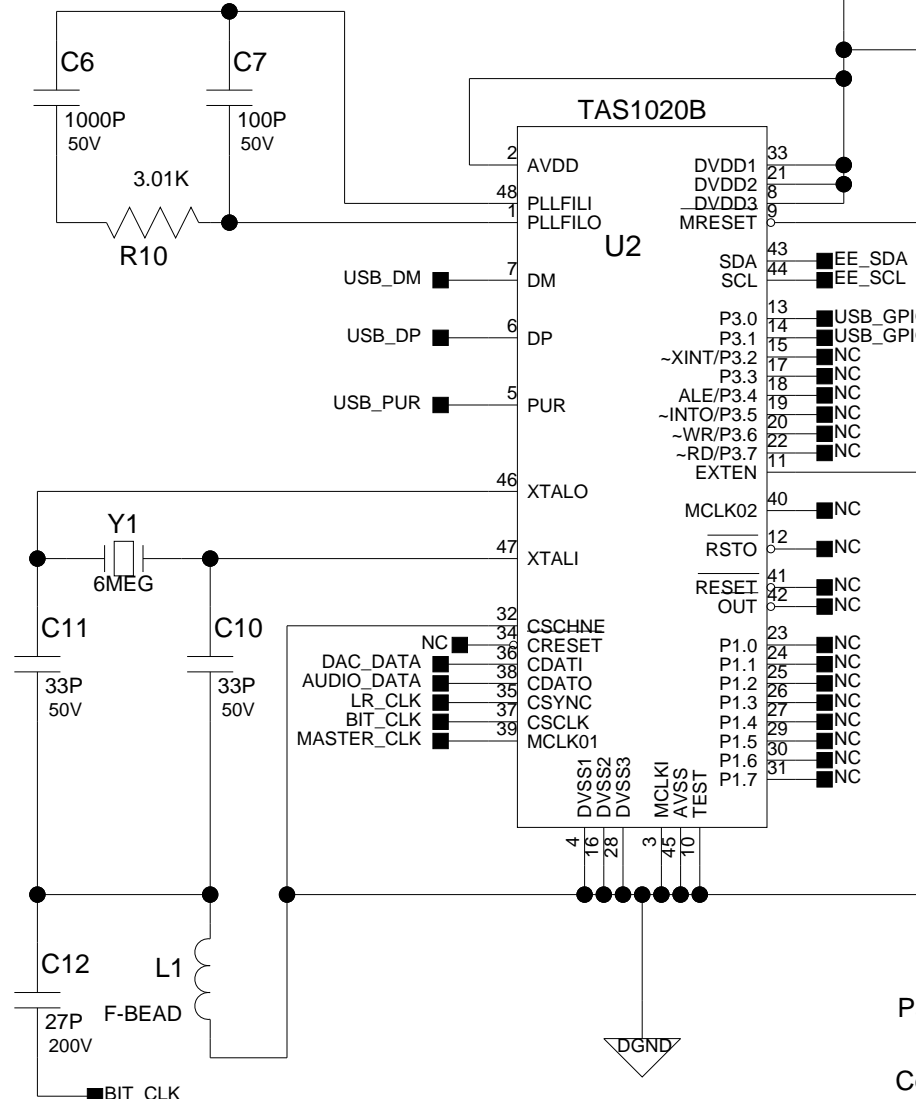
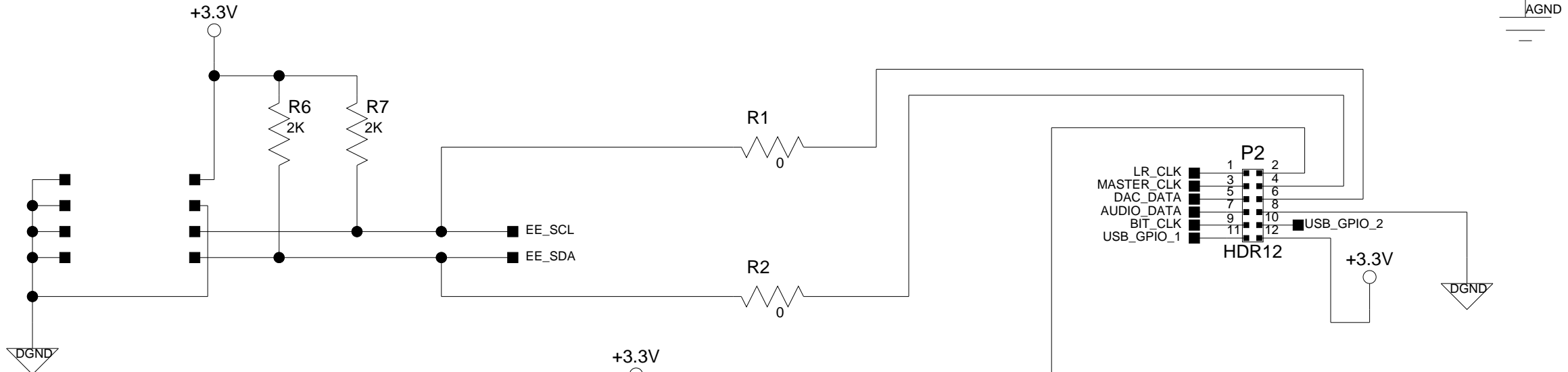


REV	Eng	Date:	Revision Description	ECN#
A				
B				
C				
D				
E				
F				



INDEX

SHEET	DESCRIPTION



Note: All thru hole Resistors are 1/4 Watt unless otherwise indicated.
 All SMT 1206 Resistors are 1/4 Watt.
 All SMT 0805 Resistors are 1/10 Watt.
 Note Capacitor Values are indicated as Follows:
 val P = pF (picoFarads) val * 10 exp-12
 val N = nF (nanoFarads) val * 10 exp-9 (1N=1000pF, 100N=0.1uF)
 val U = uF (microFarads) val * 10 exp-6

Company Proprietary Information

Peavey Electronics Corp.
 P. O. Box 2898
 Meridian, MS 39301

Product:

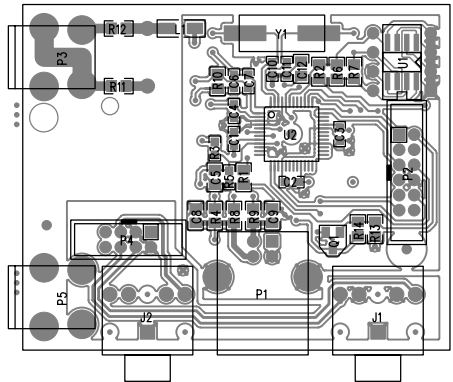
Title: **VYPYR_USBNOSTUFF**

Project Number:

Eng: Release Date:

B Sheet 1 of 1 Saved: 5-15-2008_10:41

Patents:
 Copyright Peavey Electronics Corporation 2008.



DO NOT INSTALL: □
U1, Q1, R3, R5 & R13

BILL OF MATERIAL REPORT

REPORT DATE/TIME: 5/15/2008 1:49:59 PM

BOARD NAME: Vypyr USB Aux Headphone ASSEMBLY LEVEL NUMBER: 29098480

PROJECT NUMBER: P0600082 DESIGNER: FJE

Qty.	Part #	Description	Reference Designators

--			
5	30200164	0.0 JUMPER SMT 0805	R1 R2 R11 R12 R14
1	30200190	1.50K 1/10W 1% MF 0805	R4
2	30200204	2.00K 1/10W 1% MF 0805	R6 R7
1	30200249	3.01K 1/10W 1% MF 0805	R10
2	30200477	24.9 1/10W 1% MF 0805	R8 R9
1	30300094	1UF 10V 10% X7R 0805	C5
4	30300128	0.1UF 50V 10% Y5V 0603	C1 C2 C3 C4
1	30300133	100PF 50V 5% NPO 0603	C7
2	30300138	33PF 50V 5% NPO 0603	C10 C11
1	30300160	1000PF 50V 5% NPO 0603	C6
2	30300164	47PF 50V 5% NPO 0805	C8 C9
1	30300211	27PF 200V 5% NPO 0805	C12
1	30418734	TAS1020B USB STRING CONTROLLER	U2
1	30504101	FERRITE CHIP SMT	L1
1	30810021	6.0MHZ HC49S CRYSTAL SMT	Y1
2	30901785	SCREW TERM, 6-32 -PCB MT	P3 P5
2	31466518	JACK, M/STR 1/8" PHONE - INSULATED	J1 J2
1	33715222	USB B HOR	P1
1	33717359	8 HDR V DR 2MM GOLD	P4
1	33717360	12 HDR V DR 2MM GOLD	P2