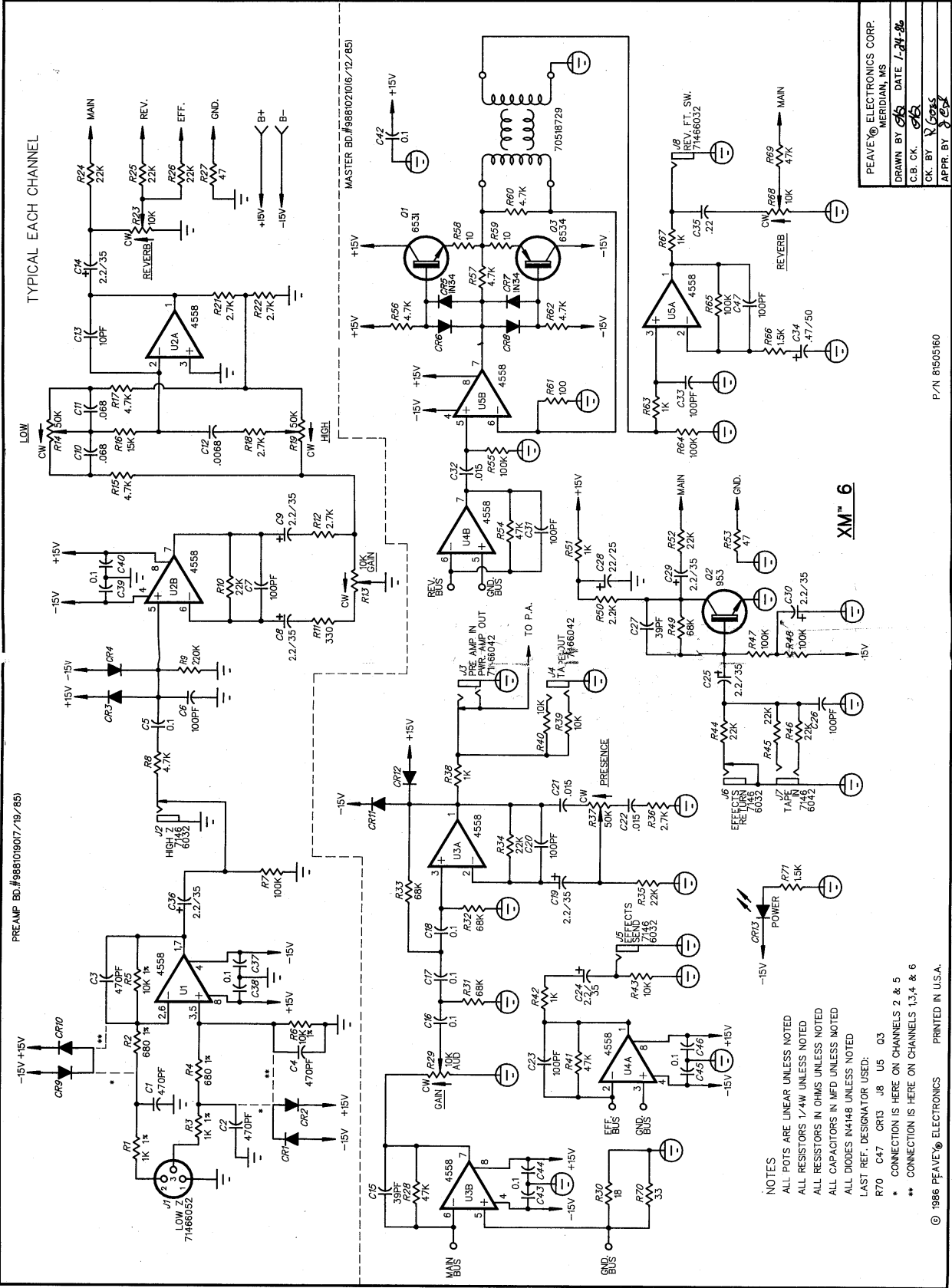


PREAMP. BD.#988019017/19/85)

TYPICAL EACH CHANNEL

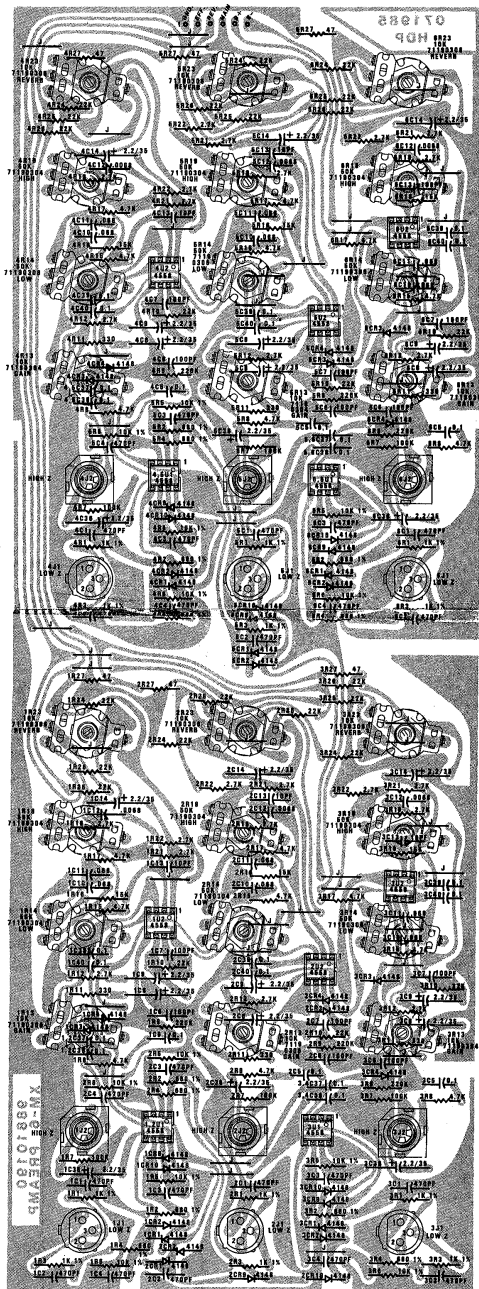


NOTES
 ALL POTS ARE LINEAR UNLESS NOTED
 ALL RESISTORS 1/4W UNLESS NOTED
 ALL RESISTORS IN OHMS UNLESS NOTED
 ALL CAPACITORS IN MFD UNLESS NOTED
 ALL DIODES IN 1N4148 UNLESS NOTED
 LAST REF. DESIGNATOR USED:
 * C47 CR13 J8 U5 O3
 ** CONNECTION IS HERE ON CHANNELS 2 & 5

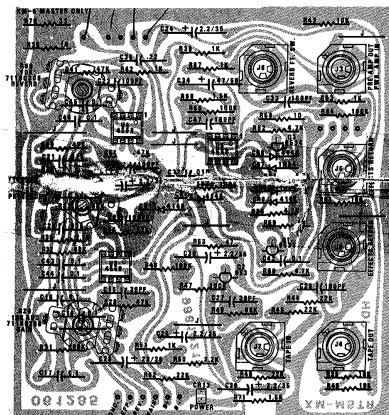
© 1986 PEAVEY ELECTRONICS PRINTED IN U.S.A.

PEAVEY ELECTRONICS CORP.
 MERIDIAN, MS
 DRAWN BY *CRS* DATE *1-24-86*
 C.B. CK. *CRS*
 CK BY *V. G. G.*
 APPR. BY *CRS*

P/N 81505160



XM-6 PREAMP BD.



XM-4 & XM-5 MAG PER BD.