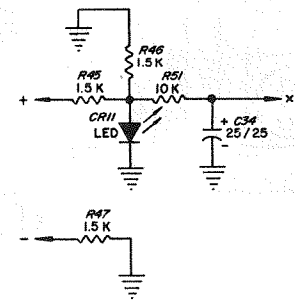
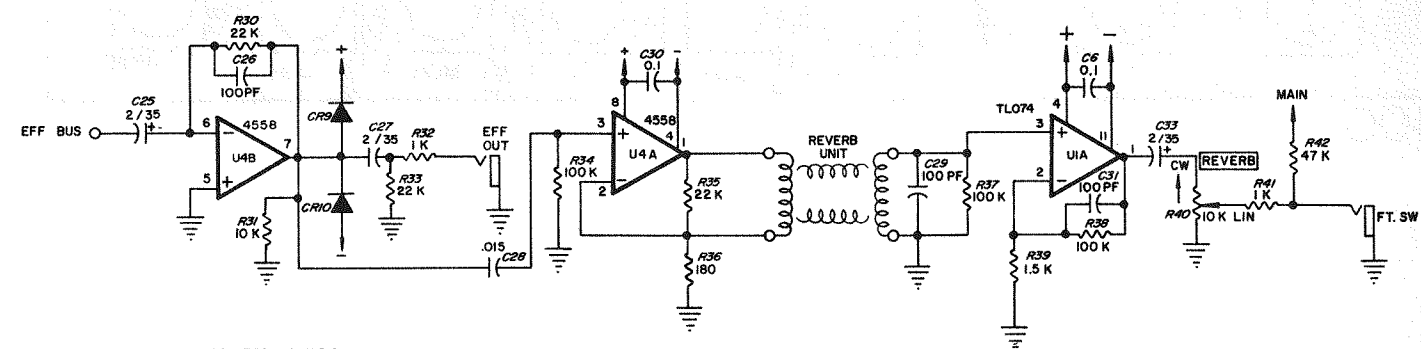
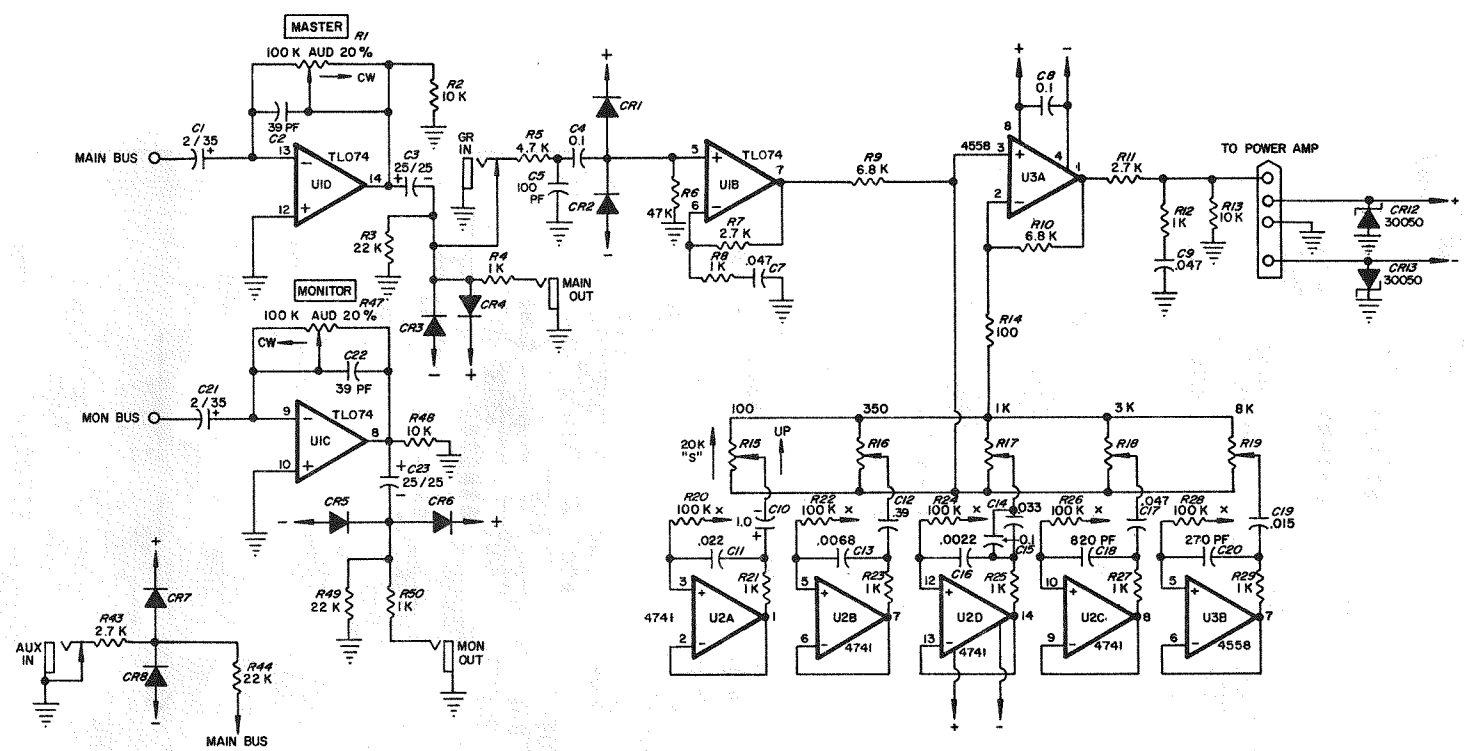


LAST REF DESIGNATOR USED  
R24 C14 CR2

TYPICAL 4 INPUT CHANNEL

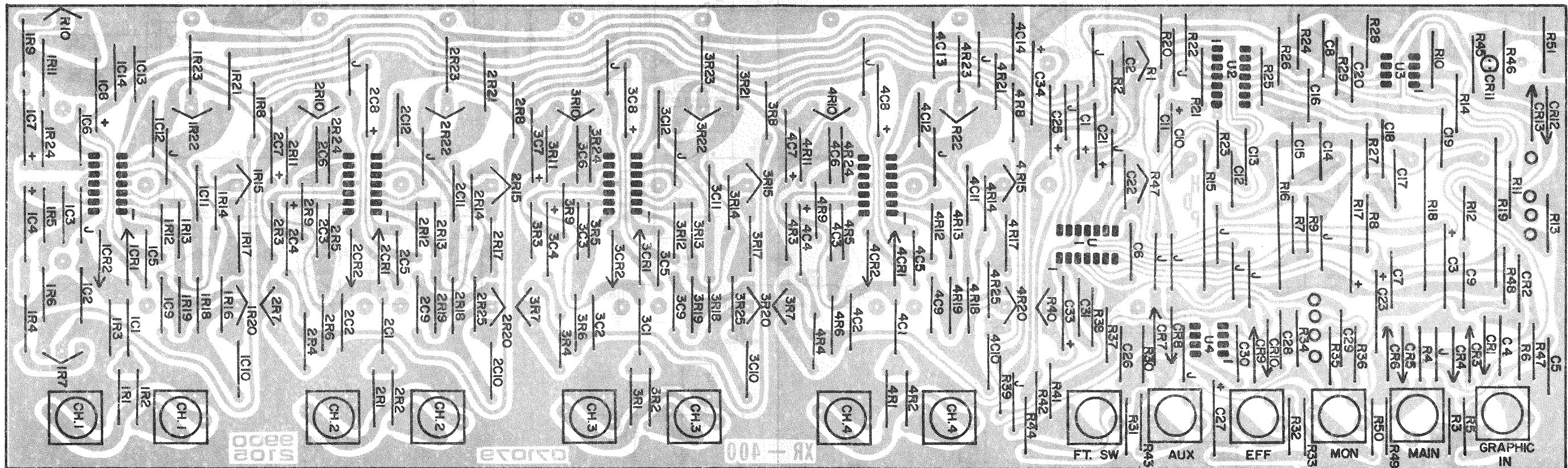


XR 400

NOTES  
ALL RESISTORS 1/4W UNLESS NOTED  
ALL CAPACITORS IN MFD UNLESS NOTED  
ALL DIODES IN 4148 UNLESS NOTED  
LAST REF DESIGNATOR USED  
R51 C34 CR13

REVISED 12/10/80  
REF

PEAVEY ELECTRONICS CORP.  
MERIDIAN, MS  
DRAWN BY *KJ* DATE 5-30-77  
C.B. CK *KAB*  
CK. BY *JHA*  
APPR. BY *JCD*



XR-400