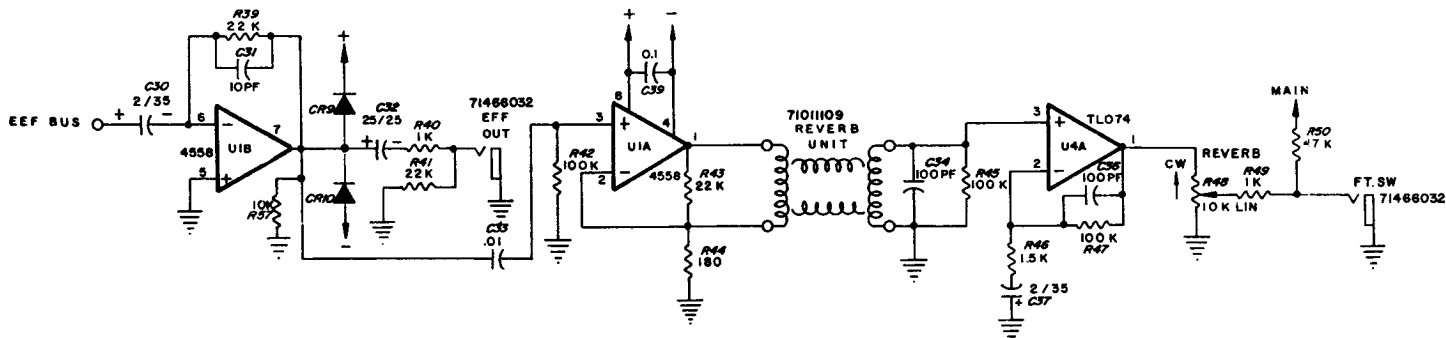


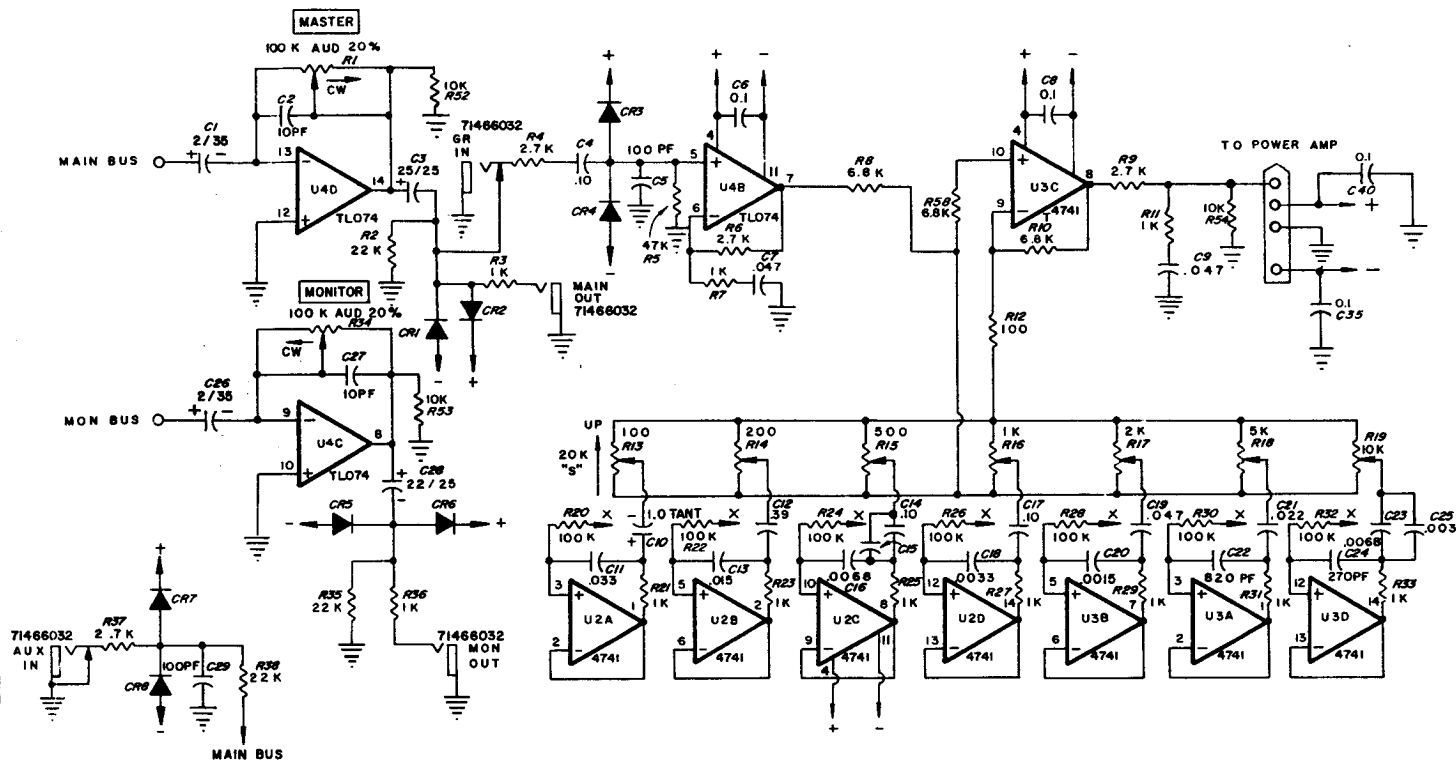
TYPICAL INPUT CHANNEL



US

US

US



POTENTIOMETERS:

- 71190052 = 20K S-TAPER SLIDER POT
- 71190304 = 50K LIN METRIC SPIDER
- 71190306 = 10K LIN METRIC SPIDER
- 71190310 = 100K AUD. METRIC SPIDER

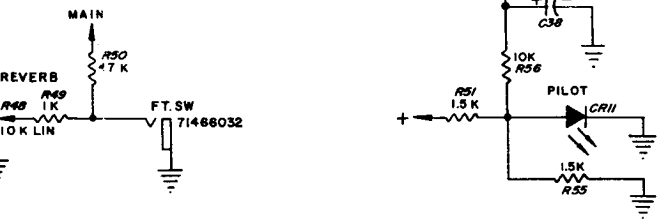
XR 500 MASTER
P/N 8151090

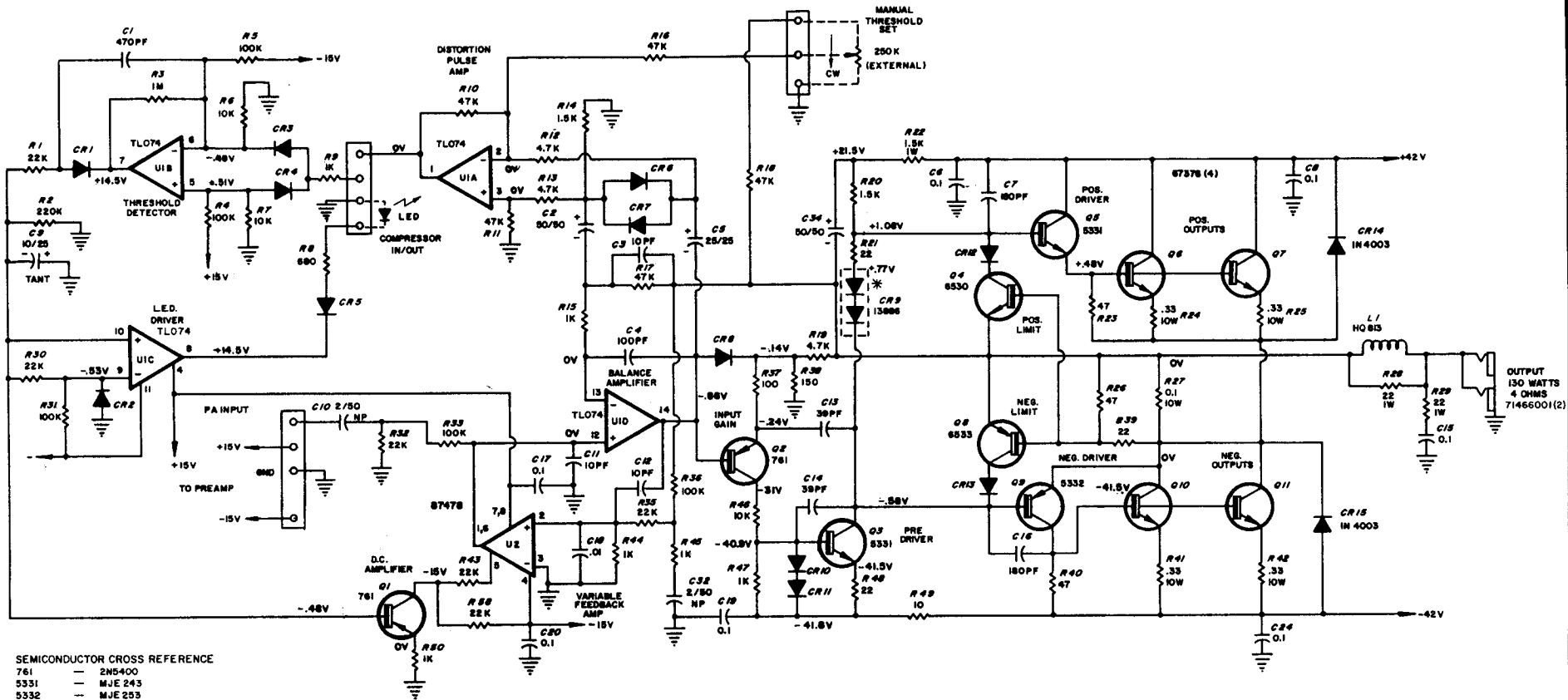
NOTES

- ALL RESISTORS 1/4W UNLESS NOTED
- ALL CAPACITORS IN MFD UNLESS NOTED
- ALL DIODES IN 4148 UNLESS NOTED
- LAST REF. DESIGNATOR USED
- R58 C41 CRI1

REVISED 12/10/80
RCP

PEAVEY ELECTRONICS CO	
MERIDIAN, MS	
DRAWN BY <i>KJ</i>	DATE <i>5-</i>
C.B. CK <i>AKH</i>	
CK. BY <i>JH</i>	
APPR. BY <i>Jef</i>	



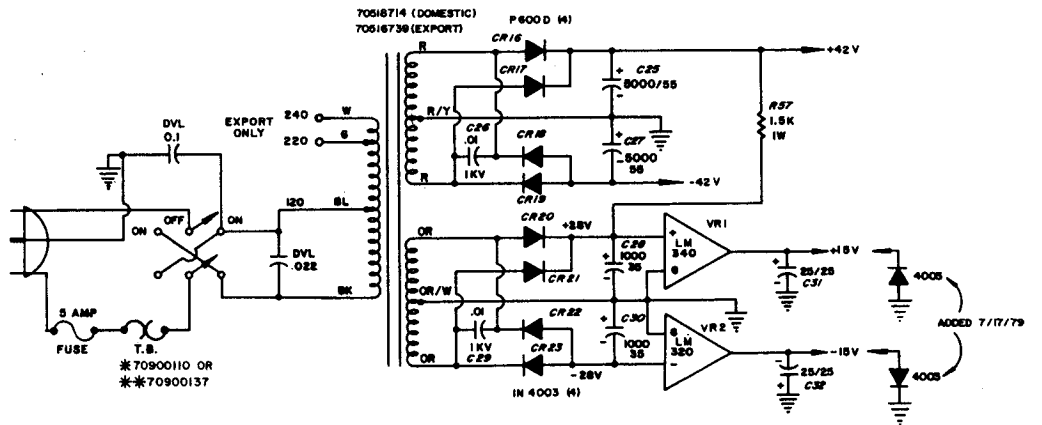


SEMICONDUCTOR CROSS REFERENCE

761	-	2N5400
5331	-	MJE 243
5332	-	MJE 255
5330	-	2N3642
5333	-	2N3638
67376	-	2N3773
LM320	-	79M15C
LM340	-	78M15C
13886	-	M22361

UNLESS OTHERWISE NOTED:
 ALL DIODES ARE 1N4148
 ALL CAPACITORS ARE IN MFD
 ALL RESISTORS ARE 1/4W
 ALL VOLTAGES ARE AT ZERO SIGNAL CONDITIONS
 * ATTACHED TO H.S.
 BUILT UNDER U.S. PATENT NOS. 4,318,053
 AND 4,349,788
 ** ATTACHED TO 67376 TRANSISTOR

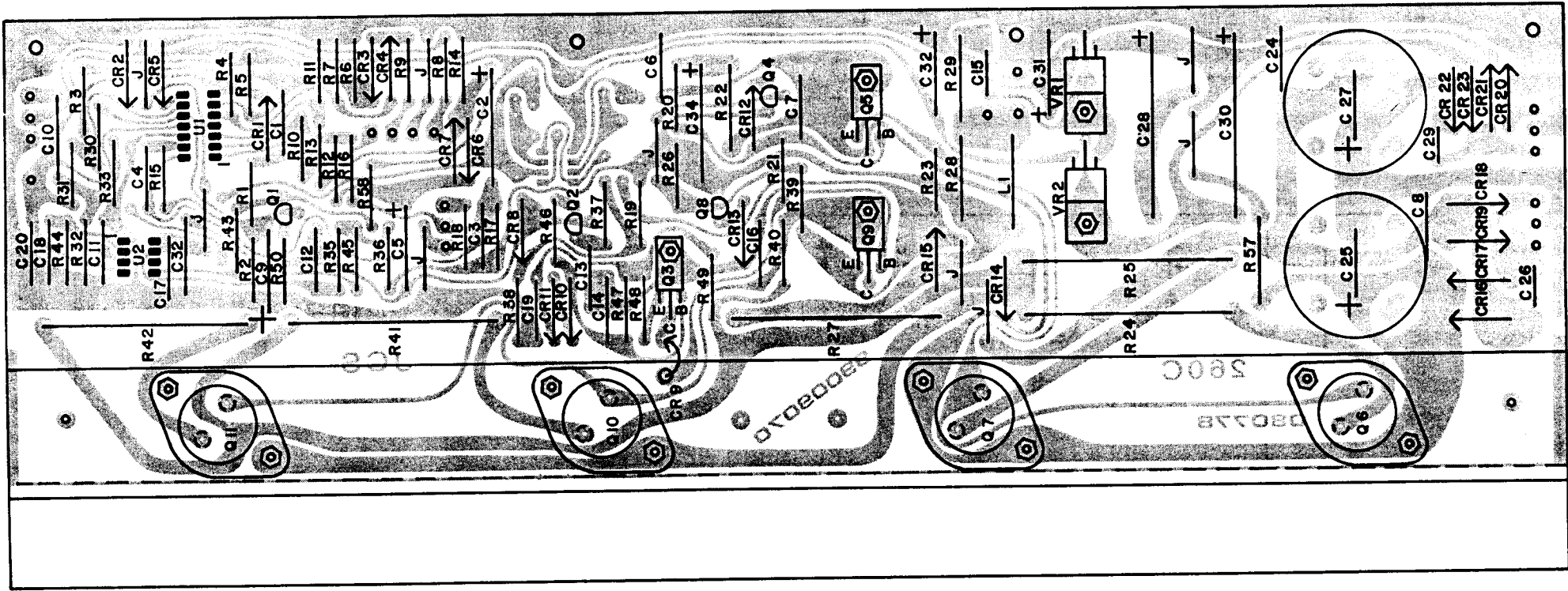
260C

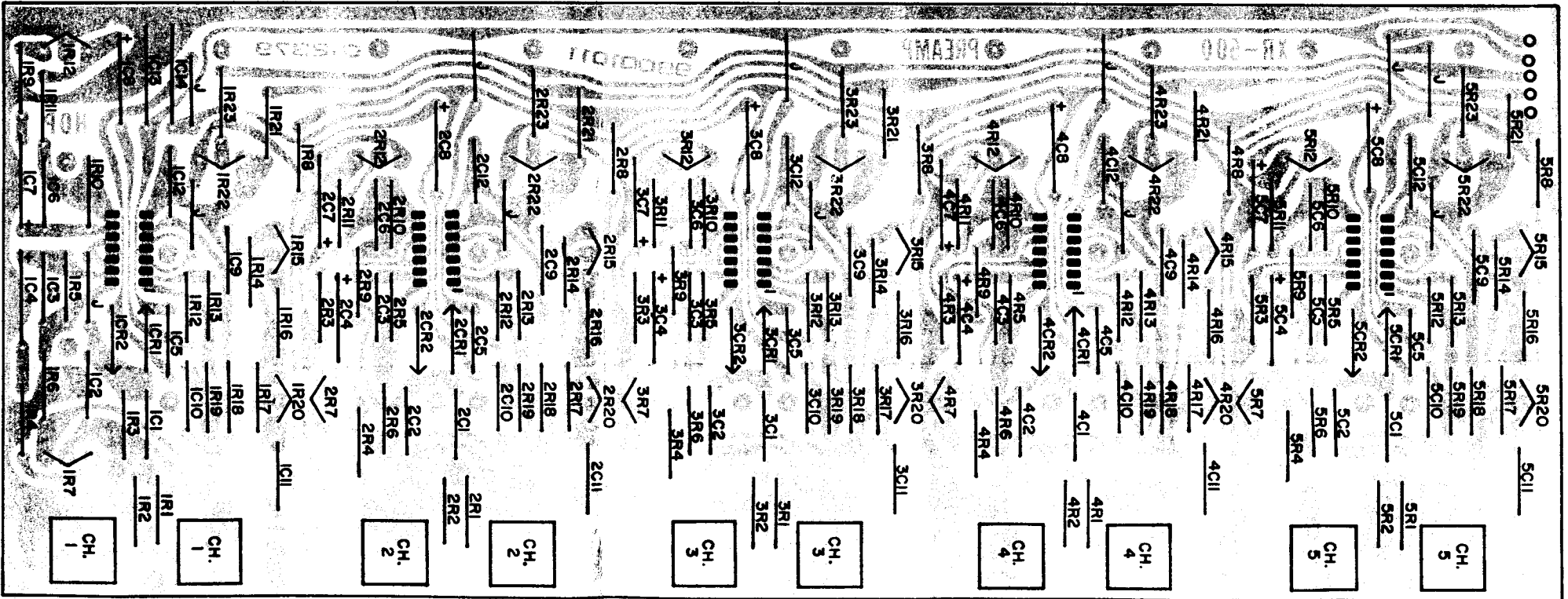


PEAVEY ELECTRONICS CORP.
 MERIDIAN ME
 DRAWN BY *RJH* DATE 8-30-78
 CK. BY *JK* 8-30-77
 APPR. BY *Jed*

REVISED 8/11/86 *RJH*

P/N 81505057





XR-500 PREAMP

