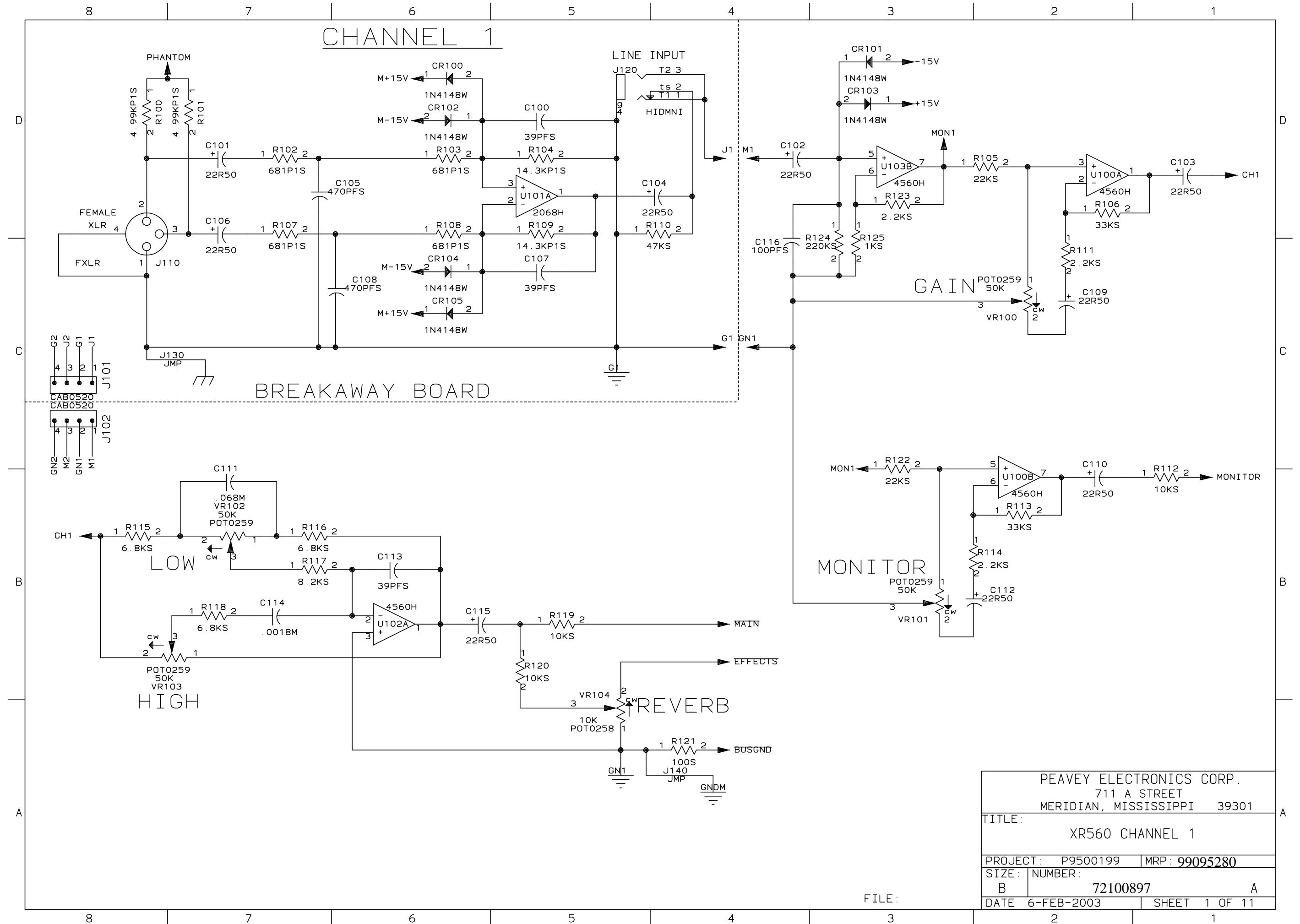


# CHANNEL 1



BREAKAWAY BOARD

LOW

HIGH

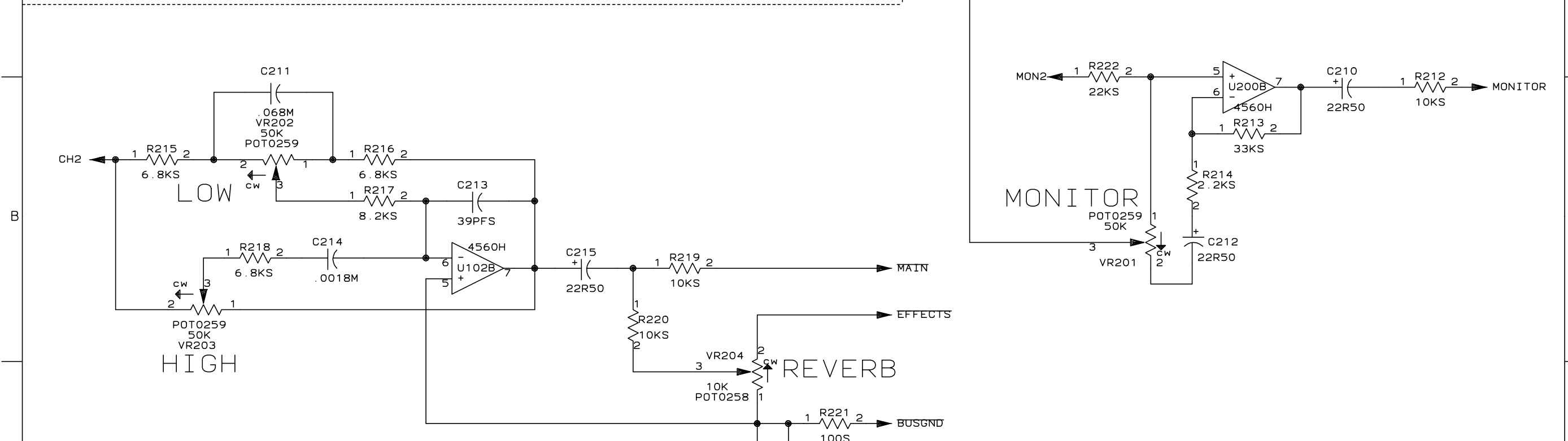
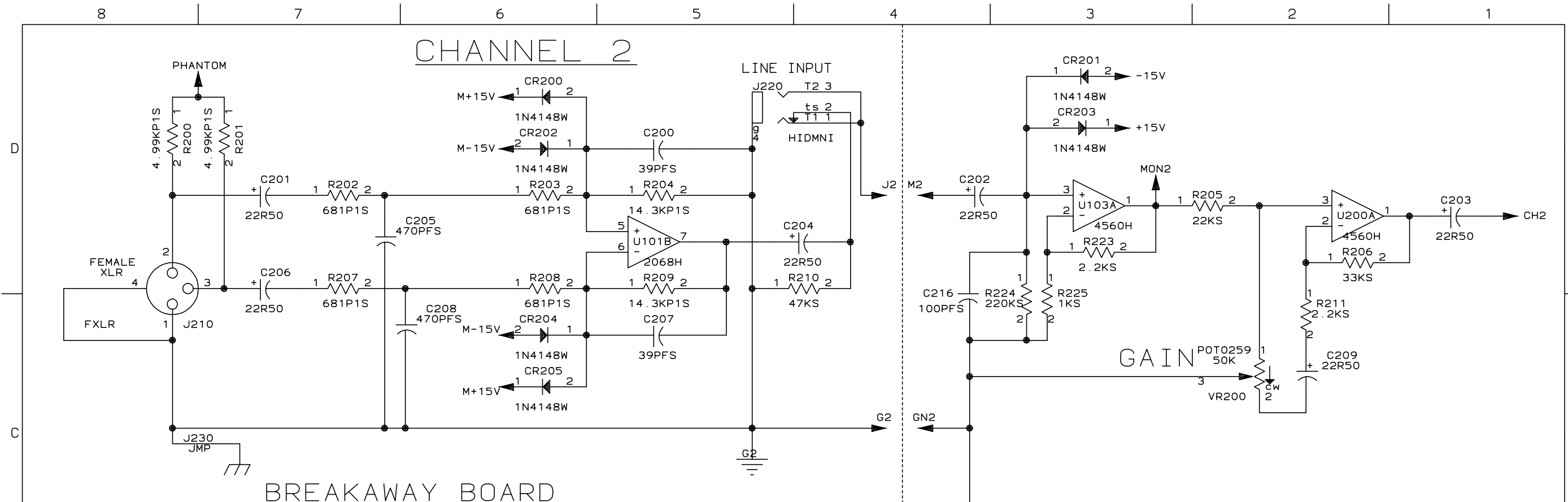
REVERB

GAIN

MONITOR

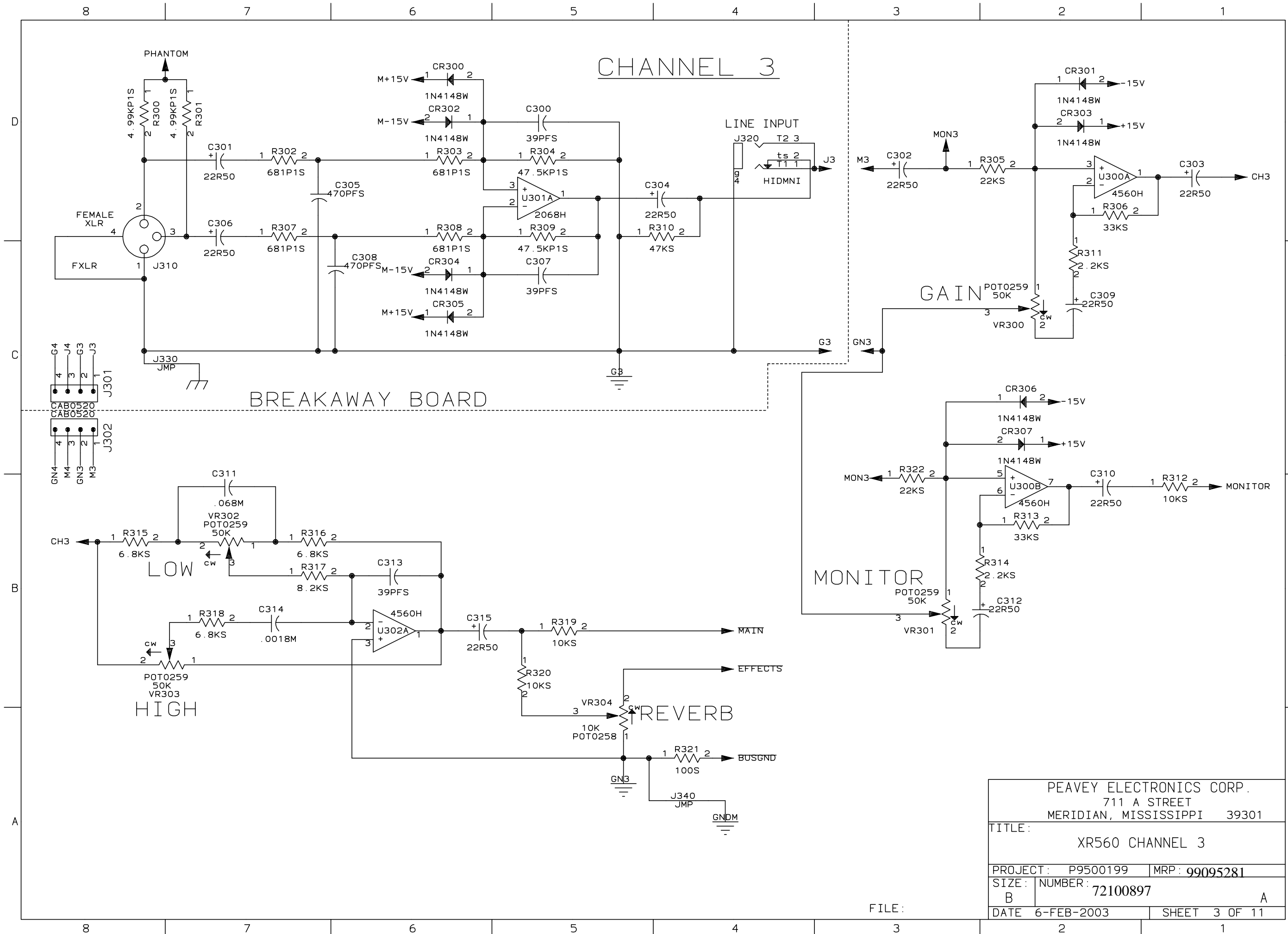
PEAVEY ELECTRONICS CORP. 711 A STREET MERIDIAN, MISSISSIPPI 39301	
TITLE: XR560 CHANNEL 1	
PROJECT: P9500199	MRP: 99095280
SIZE: B	NUMBER: 72100897
DATE: 6-FEB-2003	SHEET: 1 OF 11

FILE:



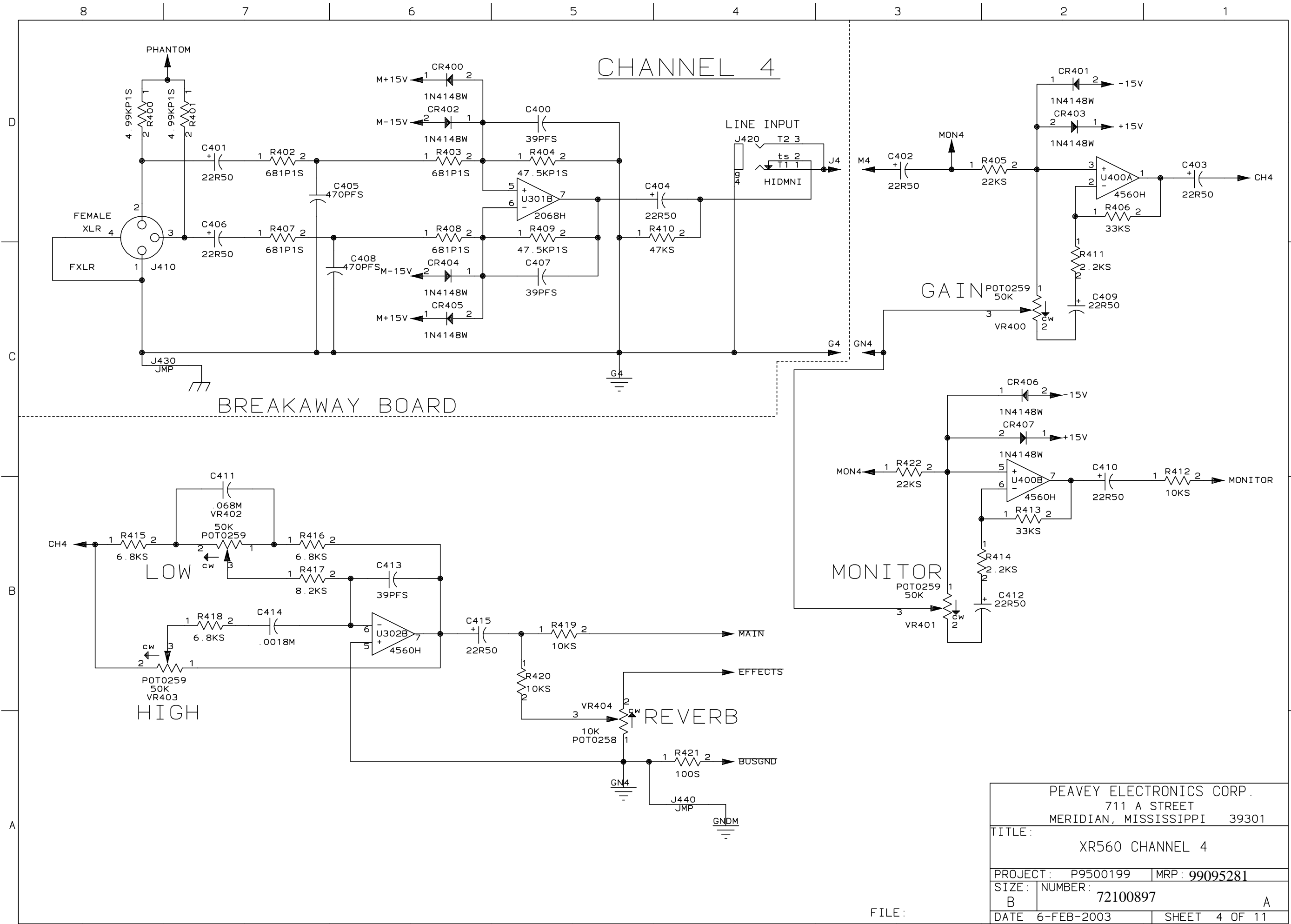
PEAVEY ELECTRONICS CORP. 711 A STREET MERIDIAN, MISSISSIPPI 39301	
TITLE: XR560 CHANNEL 2	
PROJECT: P9500199	MRP 99095281
SIZE: NUMBER: B	72100897
DATE 6-FEB-2003	SHEET 2 OF 11

FILE: A



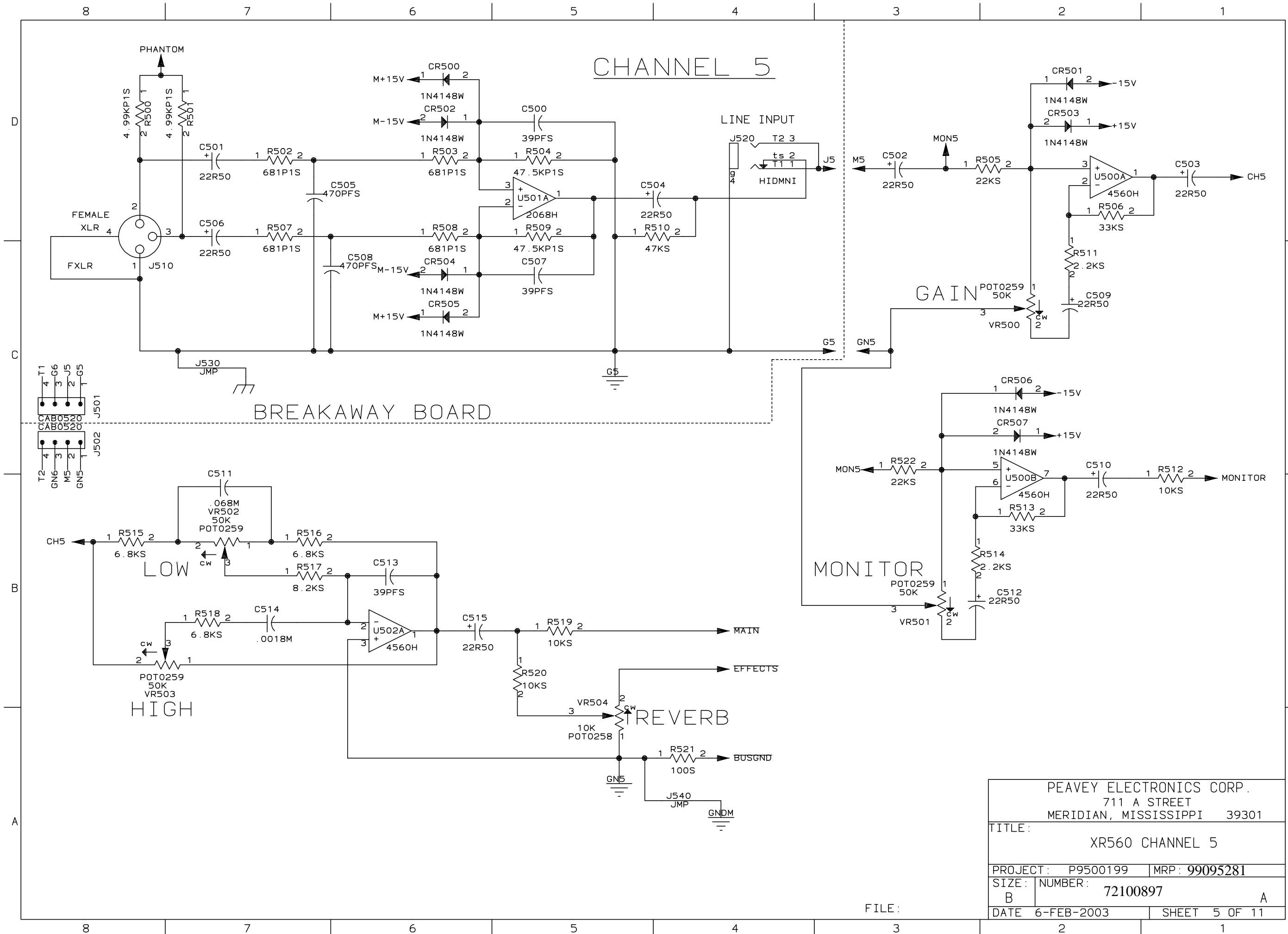
PEAVEY ELECTRONICS CORP. 711 A STREET MERIDIAN, MISSISSIPPI 39301	
TITLE: XR560 CHANNEL 3	
PROJECT: P9500199	MRP: 99095281
SIZE: NUMBER: B 72100897	A
DATE 6-FEB-2003	SHEET 3 OF 11

FILE:



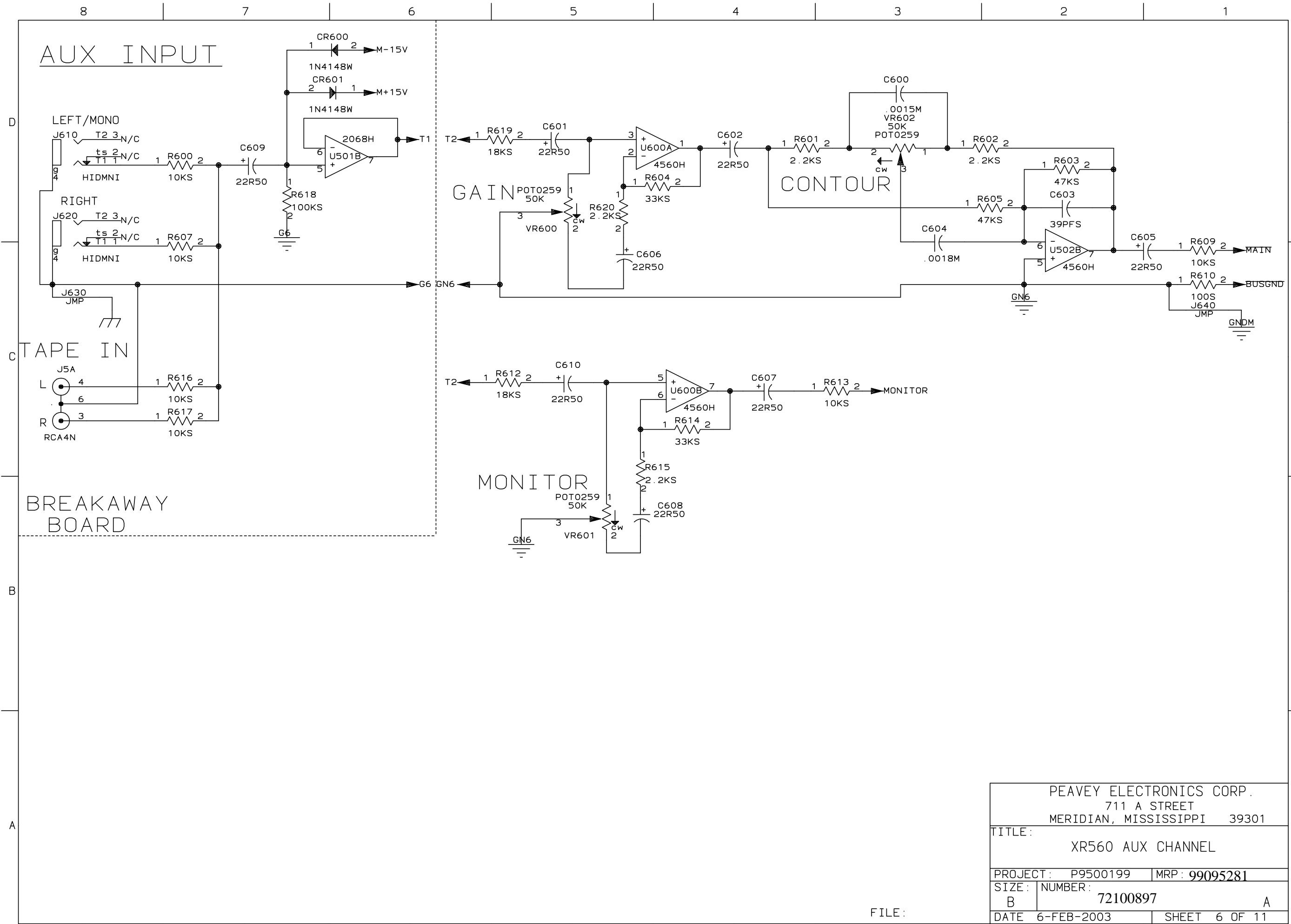
PEAVEY ELECTRONICS CORP. 711 A STREET MERIDIAN, MISSISSIPPI 39301	
TITLE: XR560 CHANNEL 4	
PROJECT: P9500199	MRP: 99095281
SIZE: NUMBER: B 72100897	A
DATE 6-FEB-2003	SHEET 4 OF 11

FILE:



PEAVEY ELECTRONICS CORP. 711 A STREET MERIDIAN, MISSISSIPPI 39301	
TITLE: XR560 CHANNEL 5	
PROJECT: P9500199	MRP: 99095281
SIZE: NUMBER: B 72100897	A
DATE 6-FEB-2003	SHEET 5 OF 11

FILE:



PEAVEY ELECTRONICS CORP. 711 A STREET MERIDIAN, MISSISSIPPI 39301	
TITLE: XR560 AUX CHANNEL	
PROJECT: P9500199	MRP: 99095281
SIZE: B	NUMBER: 72100897
DATE: 6-FEB-2003	SHEET: 6 OF 11

FILE:

8 7 6 5 4 3 2 1

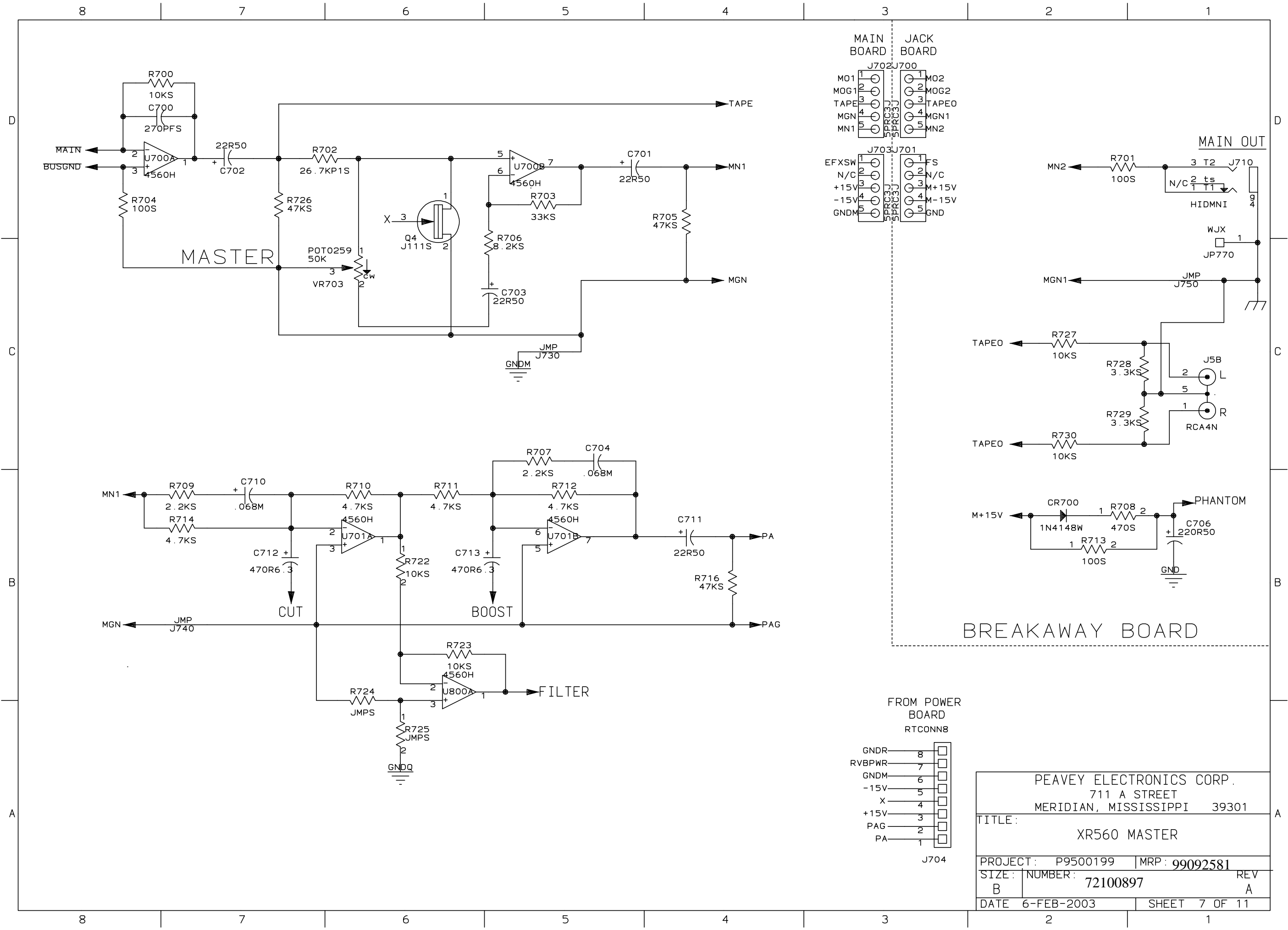
D

C

B

A

8 7 6 5 4 3 2 1



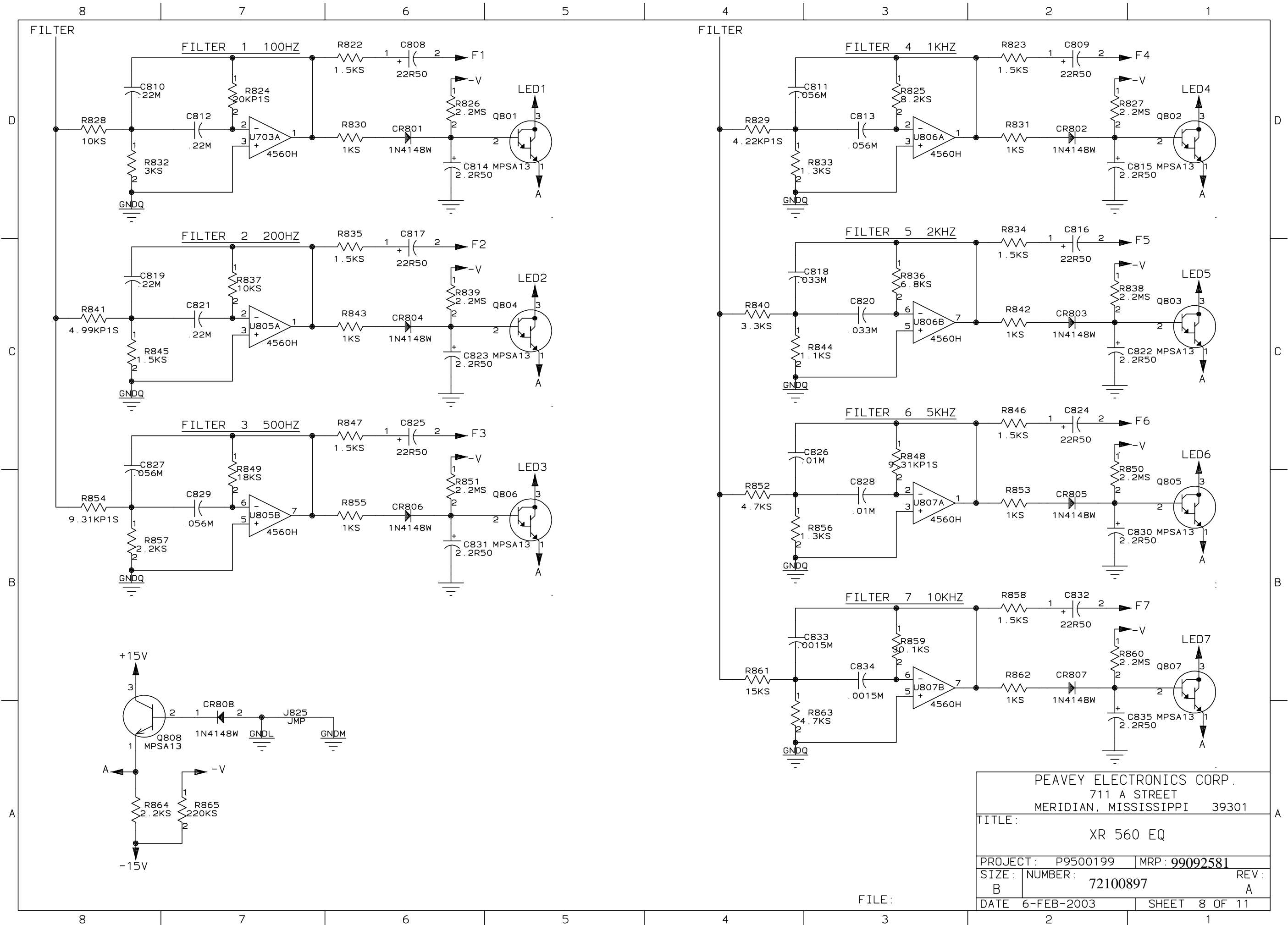
PEAVEY ELECTRONICS CORP.  
 711 A STREET  
 MERIDIAN, MISSISSIPPI 39301

TITLE: XR560 MASTER

PROJECT: P9500199 | MRP: 99092581

SIZE: NUMBER: 72100897 REV A

DATE 6-FEB-2003 SHEET 7 OF 11



PEAVEY ELECTRONICS CORP.  
 711 A STREET  
 MERIDIAN, MISSISSIPPI 39301

TITLE: XR 560 EQ

PROJECT: P9500199 | MRP: 99092581

SIZE: NUMBER: 72100897 | REV: A

DATE: 6-FEB-2003 | SHEET: 8 OF 11

FILE:



8

7

6

5

4

3

2

1

D

D

C

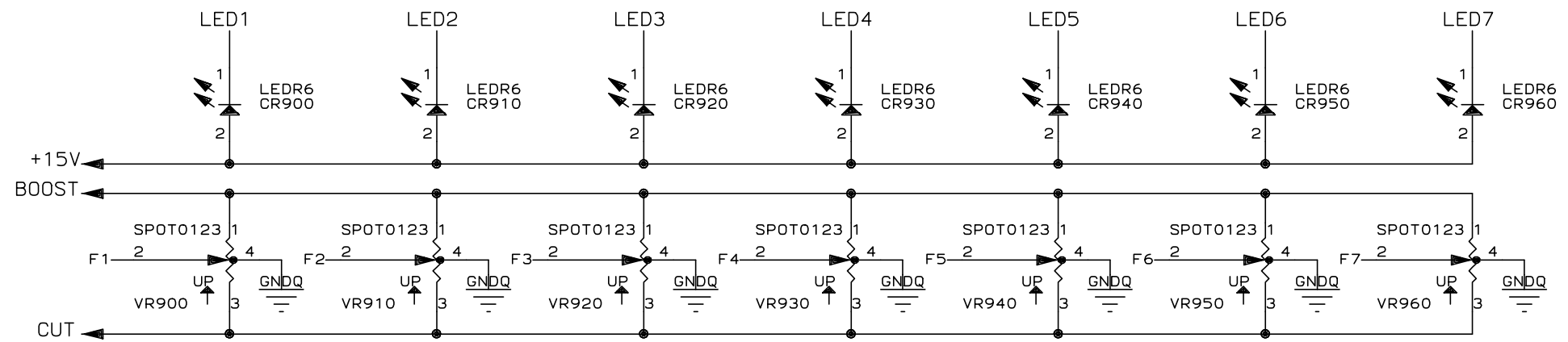
C

B

B

A

A



PEAVEY ELECTRONICS CORP. 711 A STREET MERIDIAN, MISSISSIPPI 39301		
TITLE: XR 560 EQ SLIDERS		
PROJECT: P9500199	MRP: 99092581	
SIZE: B	NUMBER: 72100897	REV: A
DATE: 14-NOV-96	SHEET 9 OF 11	

FILE:

8

7

6

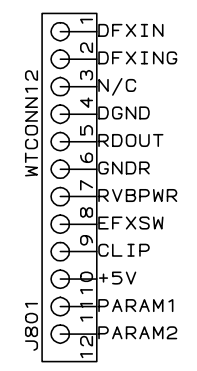
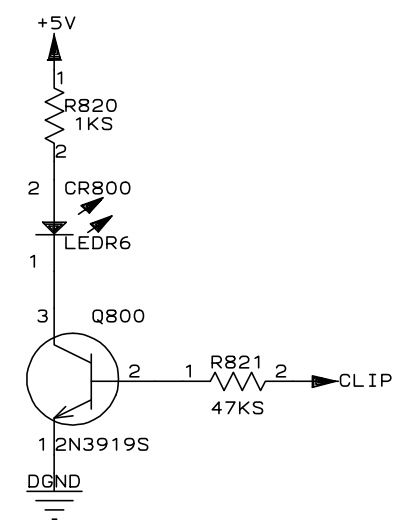
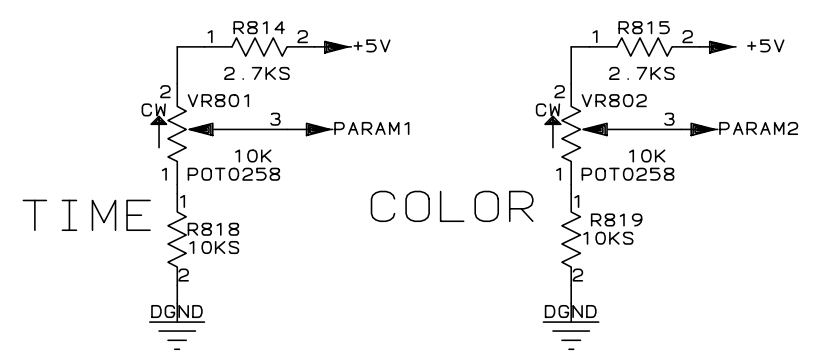
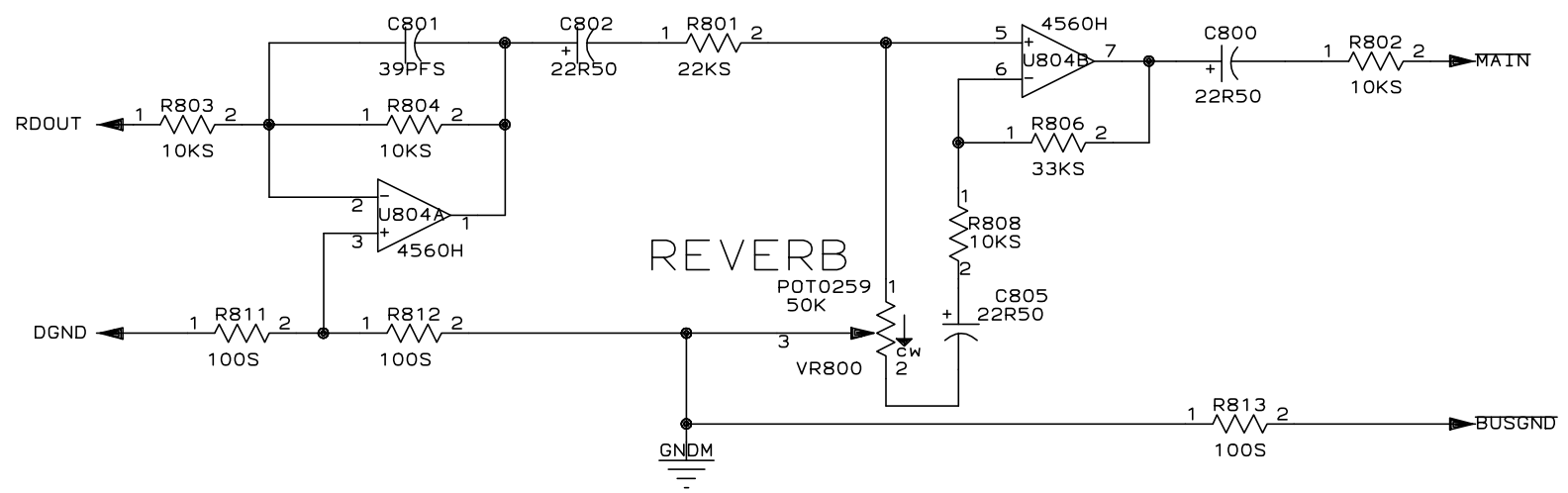
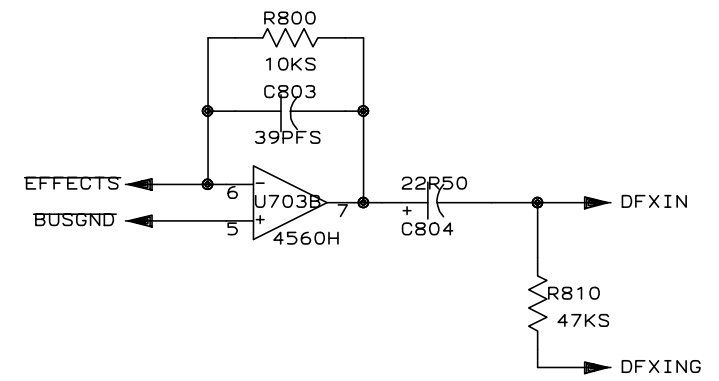
5

4

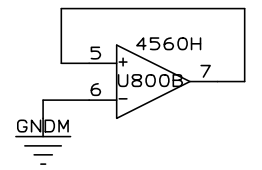
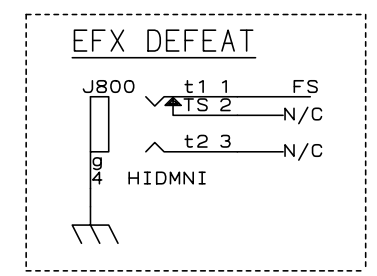
3

2

1

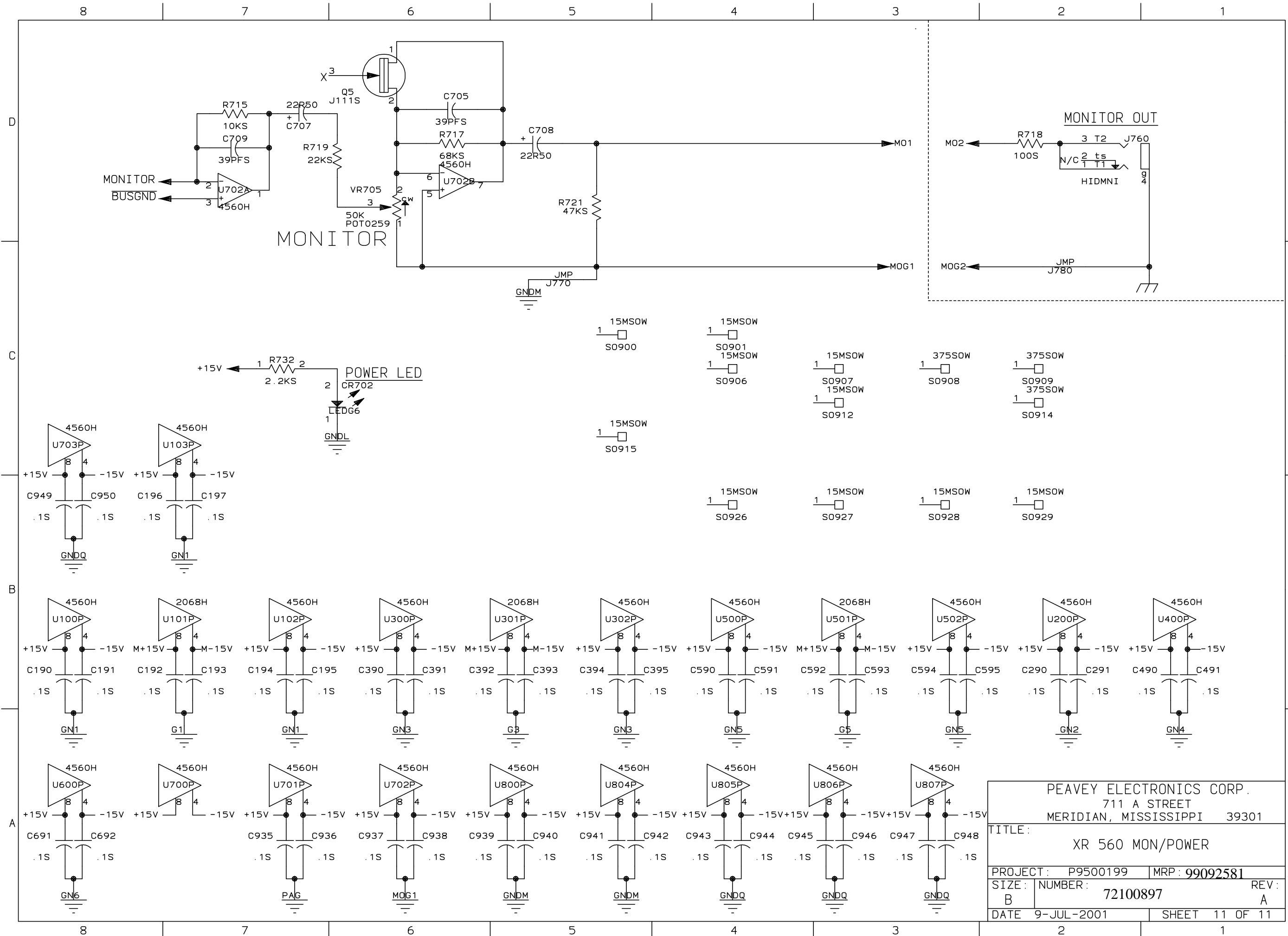


FROM REVERB BOARD

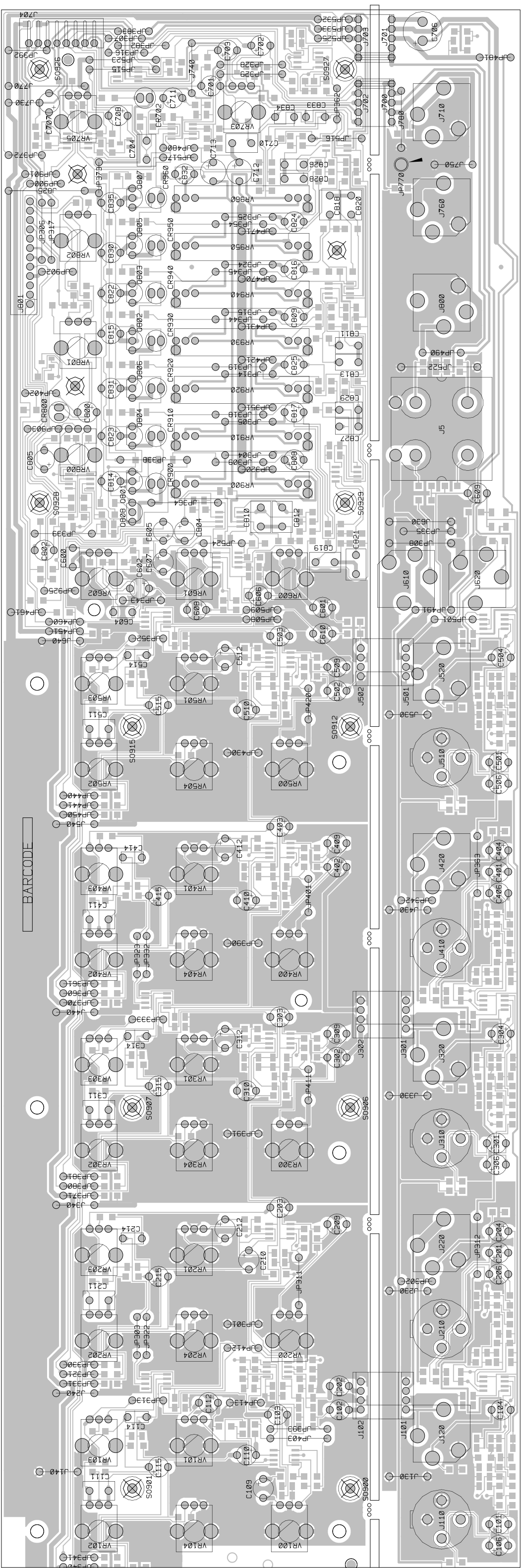


PEAVEY ELECTRONICS CORP. 711 A STREET MERIDIAN, MISSISSIPPI 39301	
TITLE: XR 560 REVERB	
PROJECT: P9500199	MRP: 99092581
SIZE: NUMBER: B	R818 A
72100897	
DATE: 13-NOV-96	SHEET 10 OF 11

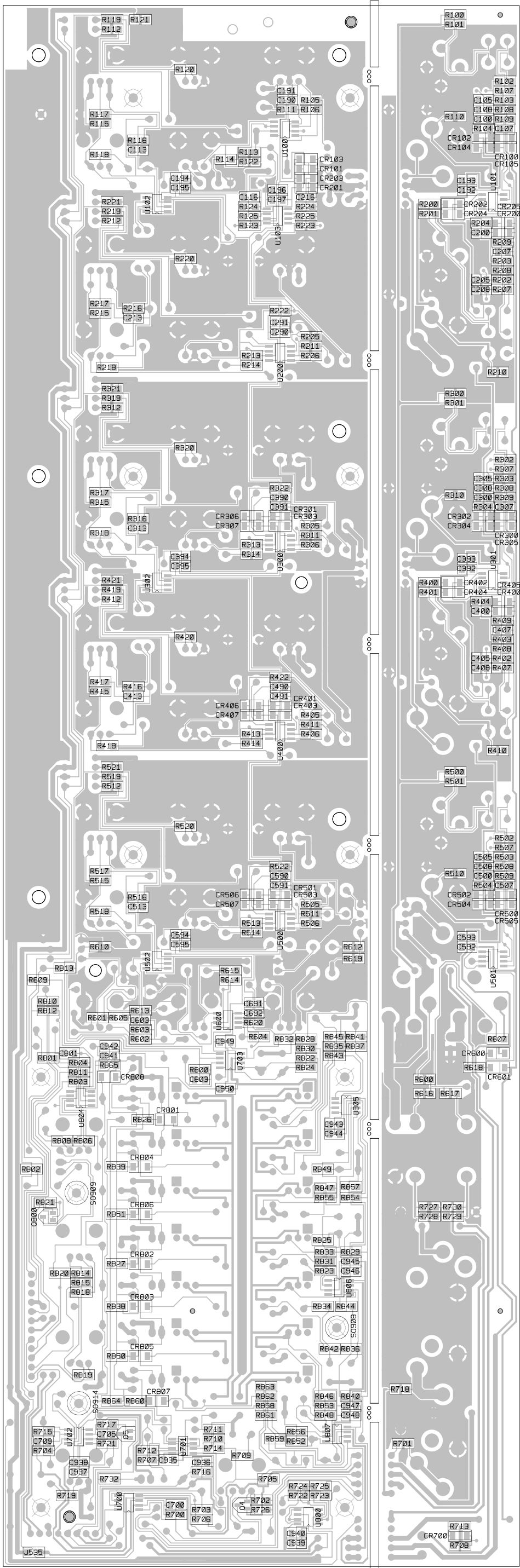
LAST USED R821 CR800, Q800, C807



PEAVEY ELECTRONICS CORP. 711 A STREET MERIDIAN, MISSISSIPPI 39301	
TITLE: XR 560 MON/POWER	
PROJECT: P9500199	MRP: 99092581
SIZE: B	NUMBER: 72100897
DATE: 9-JUL-2001	REV: A
SHEET 11 OF 11	



XR560 PREAMP PRIMARY SIDE



XR560 PREAMP SECONDARY SIDE

B I L L O F M A T E R I A L S R E P O R T

BOARD NAME: XR560PRE REPORT DATE: 14FEB03  
 ASSEMBLY LEVEL NUMBER: 99095281  
 PROJECT NUMBER: P0100072  
 CBDS

PART	QTY.	NAME	VALUE	PART NUMBER	DESCRIPTION AND DEVICE DESIGNATIONS
1		72100897	72100897	72100897	PCB
3	.0015M		.0015M	70330120	.0015M 5% 50vdc my T&A C600, C833, C834
6	.0018M		.0018M	70330127	.0018M 5% 50vdc my T&A C114, C214, C314, C414, C514, C604
2	.01M		.01M	70330155	.01MF-5%-50VDC-MY-T&A C826, C828
2	.033M		.033M	70330115	.033 MFD 50VDC 5% MY T&A C818, C820
4	.056M		.056M	70330154	.056MF-5%-50VDC-MY-T&A C811, C813, C827, C829
7	.068M		.068M	70330124	.068M 5% 50vdc my T&A C111, C211, C311, C411, C511, C704, C710
42	.1S		.1	70300035	.1MF Z5U 50V 20% SMT 1206 C190, C191, C192, C193, C194, C195, C196, C197, C290, C291, C390, C391, C392, C393, C394, C395, C490, C491, C590, C591, C592, C593, C594, C595, C691, C692, C935, C936, C937, C938, C939, C940, C941, C942, C943, C944, C945, C946, C947, C948, C949, C950
4	.22M		.22M	70330128	.22M 5% 50vdc my T&A C810, C812, C819, C821
1	1.1KS		1.1K	70200069	1.1K---1/8W--1%---SMT 1206 R844
2	1.3KS		1.3K	70200062	1.3K---1/8W--5%----SM R833, R856
8	1.5KS		1.5K	70200128	1.5K--1/8W--1%---smt R822, R823, R834, R835, R845, R846, R847, R858
1	100KS		100K	70200126	100K---1/8W--1%----SM

				R618
2	100PFS	100PF	70300044	100PF COG 50V 5% SMT 1206 C116, C216
13	100S	100	70200060	100---1/8w--1%---smt R121, R221, R321, R421, R521, R610, R701, R704, R713, R718, R811, R812, R813
36	10KS	10K	70200051	10K--1/8W--1%---SMT R112, R119, R120, R212, R219, R220, R312, R319, R320, R412, R419, R420, R512, R519, R520, R600, R607, R609, R613, R616, R617, R700, R715, R722, R723, R727, R730, R800, R802, R803, R804, R808, R818, R819, R828, R837
4	14.3KP1S	14.3K	70200087	14.3K---1/8W--1%---SMT 1206 R104, R109, R204, R209
1	15KS	15K	70200080	15K--1/8W--5%----SM R861
10	15MSOW	70901837	70901837	SPACER, 15mm-r(#4) .187 swage alum. SO900, SO901, SO906, SO907, SO912, SO915, SO926, SO927, SO928, SO929
3	18KS	18K	70200030	18K--1/8W--5%---SMT R612, R619, R849
10	1KS	1K	70200047	1k----1/8w--1%---smt R125, R225, R820, R830, R831, R842, R843, R853, R855, R862
47	1N4148W	4148	70418328	1N4148W DIODE SOD-123, SMT CR100, CR101, CR102, CR103, CR104, CR105, CR200, CR201, CR202, CR203, CR204, CR205, CR300, CR301, CR302, CR303, CR304, CR305, CR306, CR307, CR400, CR401, CR402, CR403, CR404, CR405, CR406, CR407, CR500, CR501, CR502, CR503, CR504, CR505, CR506, CR507, CR600, CR601, CR700, CR801, CR802, CR803, CR804, CR805, CR806, CR807, CR808
21	2.2KS	2.2K	70200021	2.2K---1/8W--5%---smt R111, R114, R123, R211, R214, R223, R311, R314, R411, R414, R511, R514, R601, R602, R615, R620, R707, R709, R732, R857, R864
7	2.2MS	2.2M	70200037	2.2M--1/8W--5%---SMT R826, R827, R838, R839, R850, R851, R860
7	2.2R50	2.2R50	70320180	2.2MF-----20%-----50VDC---EL--T&A C814, C815, C822, C823, C830, C831, C835

2	2.7KS	2.7K	70200061	2.7K---1/8w--5%---smt R814, R815
3	2068H	2068	70418150	NJM2068 LOW NOISE DUAL OP AMP-SMT U101, U301, U501
1	20KP1S	20kp1	70200059	20k---1/8W--1%---SMT R824
3	220KS	220K	70200044	220K--1/8W--5%---SMT R124, R224, R865
1	220R50	220R50	70320187	220MF-----20%-----50VDC---EL--T&A C706
12	22KS	22K	70200031	22K--1/8W--5%---SMT R105, R122, R205, R222, R305, R322, R405, R422, R505, R522, R719, R801
70	22R50	22R50	70320181	22MF-----20%-----50VDC---EL--T&A C101, C102, C103, C104, C106, C109, C110, C112, C115, C201, C202, C203, C204, C206, C209, C210, C212, C215, C301, C302, C303, C304, C306, C309, C310, C312, C315, C401, C402, C403, C404, C406, C409, C410, C412, C415, C501, C502, C503, C504, C506, C509, C510, C512, C515, C601, C602, C605, C606, C607, C608, C609, C610, C701, C702, C703, C707, C708, C711, C800, C802, C804, C805, C808, C809, C816, C817, C824, C825, C832
1	26.7KP1S	26.7K	70200067	26.7K--1/8W--1%---SMT 1206 R702
1	270PFS	270pf	70300052	270pf 50wvdc 10% xr7 1206 C700
1	2N3919S	3919	70418034	2N3919 NPN (SOT-23) XSISTOR SMT Q800
3	3.3KS	3.3K	70200105	3.3K--1/8W--1%---smt R728, R729, R840
1	30.1KS	30.1k	70200056	30.1K OHM 1% 1/8 WATT 1206 R859
14	33KS	33K	70200063	33K--1/8W--5%----SM R106, R113, R206, R213, R306, R313, R406, R413, R506, R513, R604, R614, R703, R806
3	375SOW	70900295	70900295	SPACER, 3/8,R(#4),.187 SWAGE ALUM. SO908, SO909, SO914

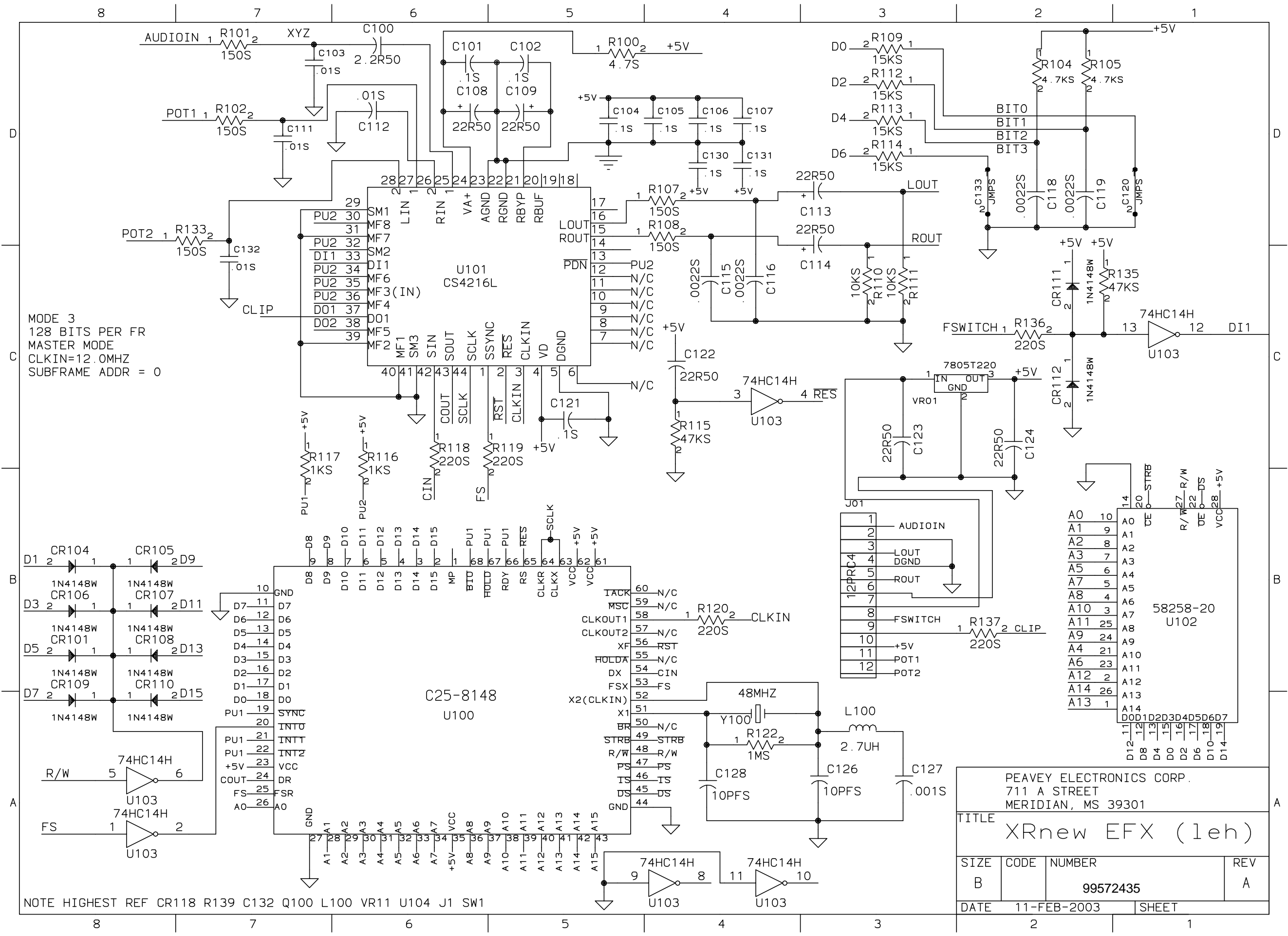


20	39PFS	39PF	70300012	39PF COG 50V 5% SMT 1206 C100, C107, C113, C200, C207, C213, C300, C307, C313, C400, C407, C413, C500, C507, C513, C603, C705, C709, C801, C803
1	3KS	3K	70200081	3K---1/8W--5%---SMT 1206 R832
1	4.22KP1S	4.22K	70200065	4.22K--1/8W--1%---SMT 1206 R829
6	4.7KS	4.7K	70200025	4.7K--1/8W--5%---smt R710, R711, R712, R714, R852, R863
11	4.99KP1S	4.99kp1	70200049	4.99k--1/8W--1%---SMT R100, R101, R200, R201, R300, R301, R400, R401, R500, R501, R841
19	4560H	4560	70418053	4560 DL OP AMP SOIC-8 U100, U102, U103, U200, U300, U302, U400, U500, U502, U600, U700, U701, U702, U703, U800, U804, U805, U806, U807
6	47.5KP1S	47.5KP1	70200099	47.5K---1/8W--1%---SMT1206 R304, R309, R404, R409, R504, R509
10	470PFS	470PF	70300047	470PF COG 50V 5% SMT 1206 C105, C108, C205, C208, C305, C308, C405, C408, C505, C508
2	470R6.3	470R6.3	70320183	470MF-----20%-----6.3VDC--EL--T&A C712, C713
1	470S	470	70200046	470--1/8W--5%---SMT R708
13	47KS	47K	70200032	47K---1/8W--5%---SMT R110, R210, R310, R410, R510, R603, R605, R705, R716, R721, R726, R810, R821
4	5PRC3J	5PRC3J	70600037	5C PRE-TIN .100 3" JMPR J700, J701, J702, J703
16	6.8KS	6.8K	70200084	6.8K--1/8W--1%---SMT R115, R116, R118, R215, R216, R218, R315, R316, R318, R415, R416, R418, R515, R516, R518, R836
20	681P1S	681	70200085	681---1/8W--1%---SMT 1206 R102, R103, R107, R108, R202, R203, R207, R208, R302, R303, R307, R308, R402, R403, R407, R408, R502, R503, R507, R508
1	68KS	68K	70200033	68K--1/8W--5%-----SMT R717

7	8.2KS	8.2K	70200042	8.2K--1/8W--5%---SMT R117, R217, R317, R417, R517, R706, R825
2	9.31KP1S	9.31kp1	70200050	9.31k--1/8W--1%---SMT R848, R854
6	CAB0520	CAB0520	70600520	4CRC-.098 CNT2.25" SNAPIN J101, J102, J301, J302, J501, J502
5	FXLR	71466218	71466218	MACH INSERT FEMALE XLR CON J110, J210, J310, J410, J510
10	HIDMNI	71466214	71466214	2 TIP HID JACK NINS W/SPD J120, J220, J320, J420, J520, J610, J620, J710, J760, J800
2	J111S	J111	70418138	J111 N-CH JFET SOT23-SMT Q4, Q5
49	J325	J	70600005	22GA JUMPER WIRES T&R JP301, JP311, JP320, JP321, JP330, JP331, JP340, JP341, JP351, JP360, JP361, JP370, JP371, JP380, JP381, JP390, JP391, JP401, JP411, JP420, JP421, JP430, JP431, JP440, JP441, JP450, JP451, JP460, JP461, JP470, JP471, JP480, JP481, JP490, JP491, JP501, JP508, JP509, JP516, JP517, JP524, JP525, JP532, JP533, JP900, JP901, JP902, JP903, JP925
23	J4	J	70600005	22GA JUMPER WIRES T&R JP302, JP303, JP312, JP313, JP322, JP323, JP332, JP333, JP342, JP343, JP352, JP362, JP363, JP372, JP373, JP382, JP383, JP392, JP393, JP402, JP403, JP412, JP413
11	J5	J	70600005	22GA JUMPER WIRES T&R JP304, JP305, JP314, JP315, JP324, JP325, JP335, JP344, JP345, JP354, JP364
4	J6	J	70600005	22GA JUMPER WIRES T&R JP306, JP307, JP316, JP317
8	J7	J	70600005	22GA JUMPER WIRES T&R JP308, JP309, JP318, JP319, JP328, JP329, JP338, JP339
3	J8	J	70600005	22GA JUMPER WIRES T&R JP515, JP522, JP523
18	JMP	JMP	70600005	22 GA. JUMPER WIRE T&R J130, J140, J230, J240, J330, J340, J430, J440, J530, J540, J630, J640, J730, J740, J750, J770, J780, J825

3	JMPS	JMP	70200010	0.0---1/8w--5%---smt J535, R724, R725
1	LEDG6	LEDG6	70450051	LED, T-1, GRN, W/.500" SPCR - T&A CR702
8	LEDR6	LEDR6	70450050	LED, T-1, RED, W/.500" SPCR - T&A CR800, CR900, CR910, CR920, CR930, CR940, CR950, CR960
8	MPSA13	A13	70460013	MPS-A13 NPN DARLINGTON TRANS T&A Q801, Q802, Q803, Q804, Q805, Q806, Q807, Q808
7	POT0258	71190258	71190258	10K - STD - 9MM VR104, VR204, VR304, VR404, VR504, VR801, VR802
26	POT0259	71190259	71190259	50KB - STD - 9MM - W/DTT VR100, VR101, VR102, VR103, VR200, VR201, VR202, VR203, VR300, VR301, VR302, VR303, VR400, VR401, VR402, VR403, VR500, VR501, VR502, VR503, VR600, VR601, VR602, VR703, VR705, VR800
1	RCA4N	RCA4N	71466272	QUAD NICKEL RCA PHONO 24MM J5
1	RTCONN8	73716724	73716724	.098" WB/RA HEADER - 8PIN SHROUDED J704
7	SPOT0123	71190123	71190123	50KW 20MM SLIDER W/DDT & TAP VR900, VR910, VR920, VR930, VR940, VR950, VR960
1	WJX	WJX	XXXXXXXX	XXXXXXXX JP770
1	WTCONN12	73716713	73716713	12 PIN WIRE TRAP CONN .098" SPACING J801

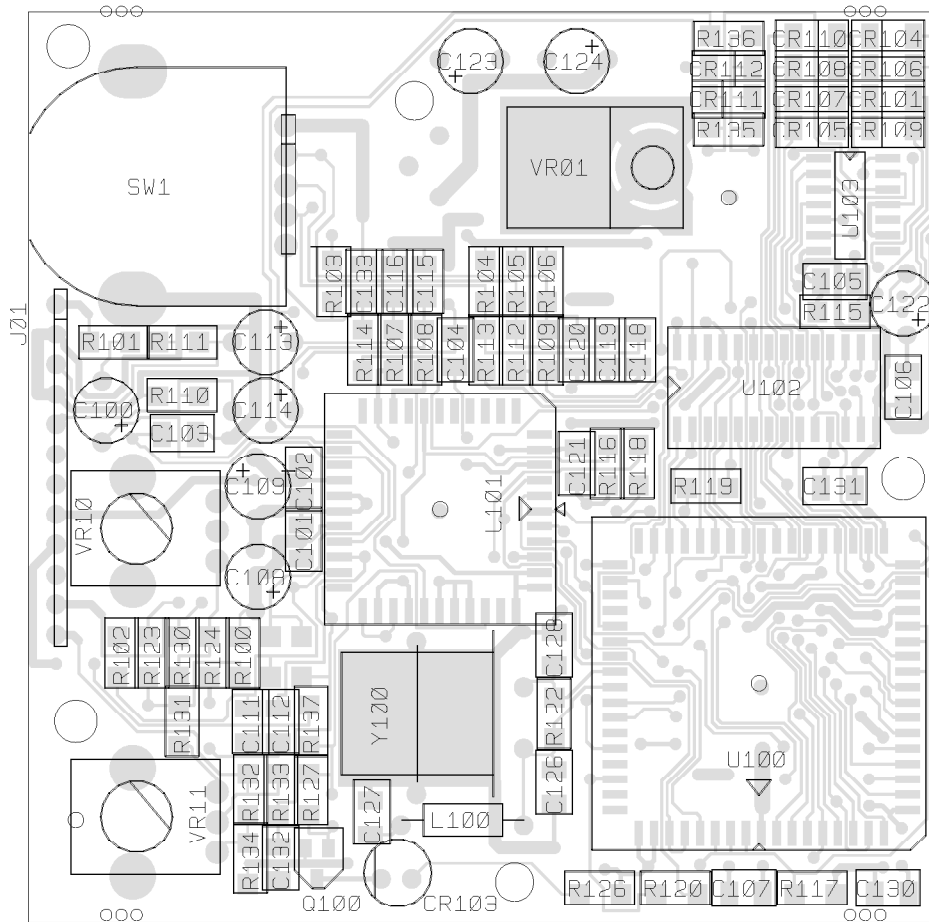
\*\*\*\*\*  
\* END OF BILL OF MATERIALS REPORT \*  
\*\*\*\*\*



MODE 3  
 128 BITS PER FR  
 MASTER MODE  
 CLKIN=12.0MHZ  
 SUBFRAME ADDR = 0

NOTE HIGHEST REF CR118 R139 C132 Q100 L100 VR11 U104 J1 SW1

PEAVEY ELECTRONICS CORP. 711 A STREET MERIDIAN, MS 39301			
TITLE XRnew EFX (1eh)			
SIZE B	CODE	NUMBER 99572435	REV A
DATE 11-FEB-2003	SHEET		



XR DIGITAL REVERB

FOR XR560 DO NOT INSERT: r126, r106, r103, r127, r134,  
 r124, r123, r131, cr103, q100, vr10, vr11, sw1, r136, r139, r130, r132

BILL OF MATERIALS REPORT

BOARD NAME: XRDIGREV REPORT DATE: 12FEB03  
 ASSEMBLY LEVEL NUMBER: 99572435 DESIGNER: FREDDIE EAVES  
 PROJECT NUMBER: P9700142

CBDS  
 PART PART DESCRIPTION AND

\*\* QTY. NAME VALUE NUMBER DEVICE DESIGNATIONS \*\*\*\*\*  
 \*\*\*\*\*

1	72100896	72100896	99572435	PCB
1	.001S	.001	70300036	.001MF X7R 50V 10% SMT 1206 C127
4	.0022S	.0022	70300019	.0022MF-X7R-----10%--SMT C115, C116, C118, C119
4	.01S	.01	70300023	.01MF X7R 50V 10% SMT 1206 C103, C111, C112, C132
9	.1S	.1	70300035	.1MF Z5U 50V 20% SMT 1206 C101, C102, C104, C105, C106, C107, C121, C130, C131
2	10KS	10K	70200028	10K--1/8W--5%---SMT R110, R111
2	10PFS	10PF	70300010	10PF COG 50V 5% SMT 1206 C126, C128
1	12PRC4	12PRC4	70600057	12C PRE-TIN .098 CTR 4" JUMPER J01
5	150S	150	70200014	150---1/8w--5%---smt R101, R102, R107, R108, R133
4	15KS	15K	70200080	15K--1/8W--5%---SM R109, R112, R113, R114
2	1KS	1K	70200019	1k---1/8w--5%---smt R116, R117
1	1MS	1M	70200036	1M---1/8W--5%---SMT R122
10	1N4148W	4148	70418328	1N4148W DIODE SOD-123, SMT CR101, CR104, CR105, CR106, CR107, CR108, CR109, CR110, CR111, CR112
1	2.2R50	2.2R50	70320180	2.2MF-----20%----50VDC---EL--T&A C100
1	2.7UH	2.7UH	70502027	2.7 MICRO INDUCTOR

L100

5 220S 220 70200016 220---1/8w--5%---smt  
R118, R119, R120, R136, R137

7 22R50 22R50 70320181 22MF-----20%----50VDC---EL--T&A  
C108, C109, C113, C114, C122, C123, C124

2 4.7KS 4.7K 70200025 4.7K--1/8W--5%---smt  
R104, R105

1 4.7S 4.7 70200041 4.7--1/8W--5%---SMT  
R100

2 47KS 47K 70200032 47K---1/8W--5%---SMT  
R115, R135

1 48MHZ 48MHZ 70800030 48 MHZ CRYSTAL  
Y100

1 58258-20 58258-20 70418068 32K X8 STATIC RAM IC-SMT  
U102

1 74HC14H 74HC14 70418058 74HC14 HEX. SCHMITT SOIC14  
U103

1 7805T220 7805 70427805 VR CT REG  
VR01

1 C25-8148 C25-8148 70418148 16-BIT MASKED DSP, 68 PLCC  
U100

1 CS4216L CS4216L LHAND LHAND  
U101

2 JMPS JMP 70200010 0.0---1/8w--5%---smt  
C120, C133

\*\*\*\*\*  
\* END OF BILL OF MATERIALS REPORT \*  
\*\*\*\*\*