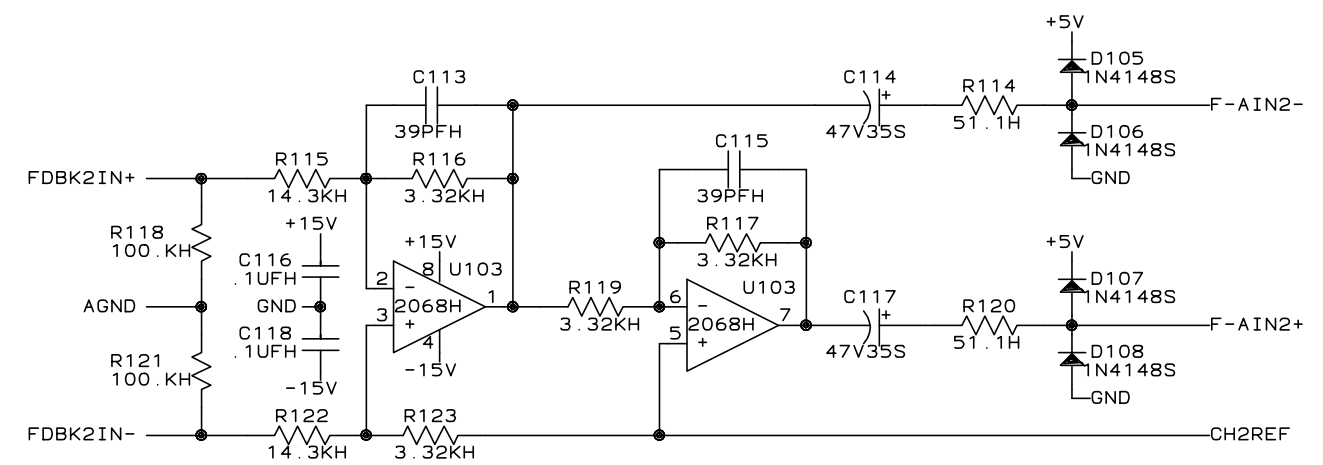
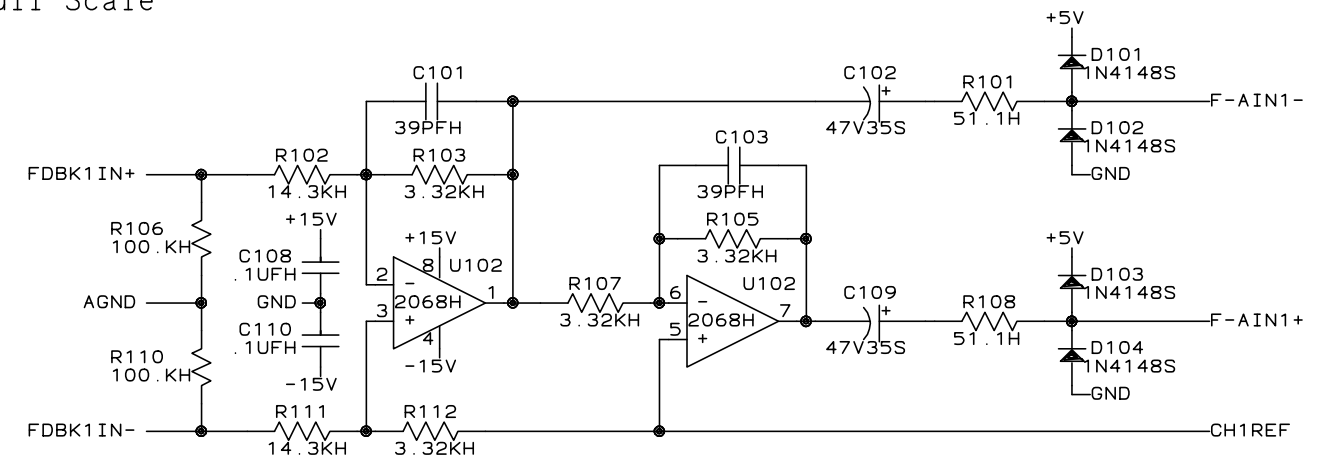


8 | 7 | 6 | 5 | 4 | 3 | 2 | 1

+15dBu  
Full Scale

-12.8dB

+6.0dB



NOTE HIGHEST REF D108 R123 C118 U103

PEAVEY ELECTRONICS CORP.			
MERIDIAN, MS 39301			
TITLE Fdbk Killer Inputs			
SIZE B	CODE	NUMBER	FILE: MXRFX1
DATE 18-JAN-02	SHEET 1		

8 | 7 | 6 | 5 | 4 | 3 | 2 | 1

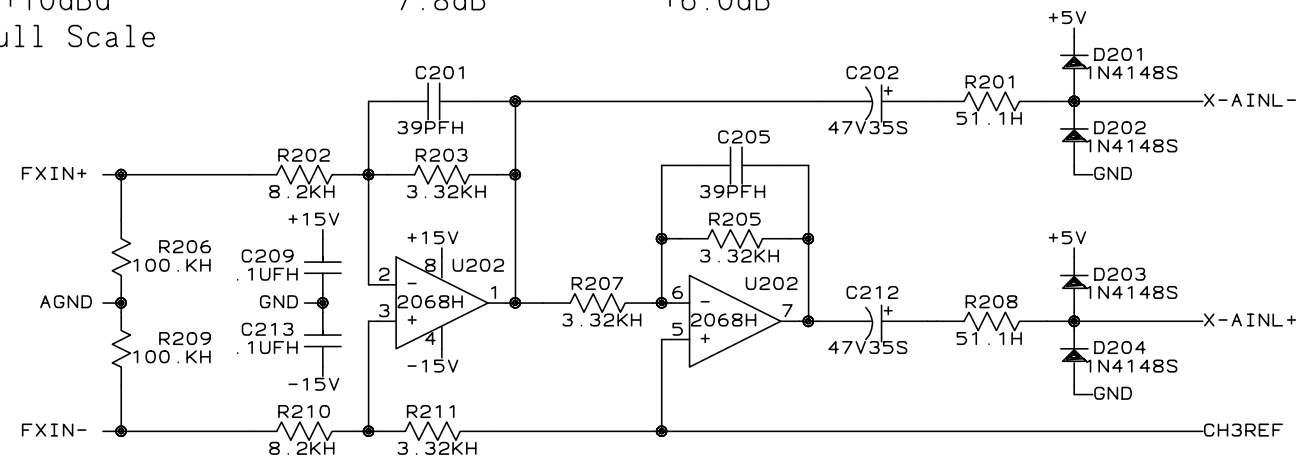
8 | 7 | 6 | 5 | 4 | 3 | 2 | 1

D  
C  
B  
A

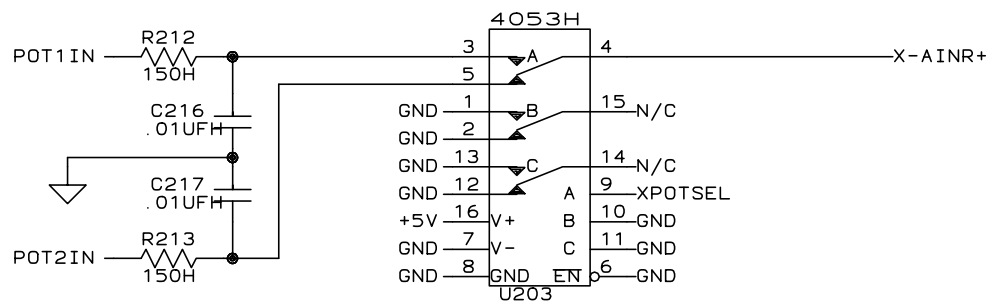
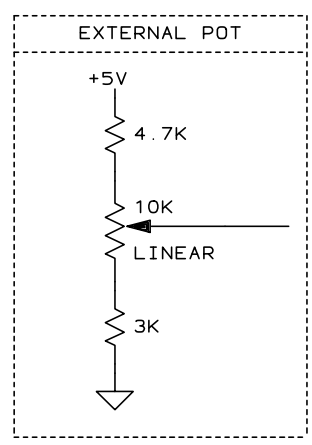
+10dBu  
Full Scale

-7.8dB

+6.0dB



EXTERNAL POT SIGNAL  
2.3VDC BIAS ON CS4223  
+/- 1.4V PEAK SWINGS  
+3.7VDC MAX POT LEVEL  
+0.9VDC MIN POT LEVEL

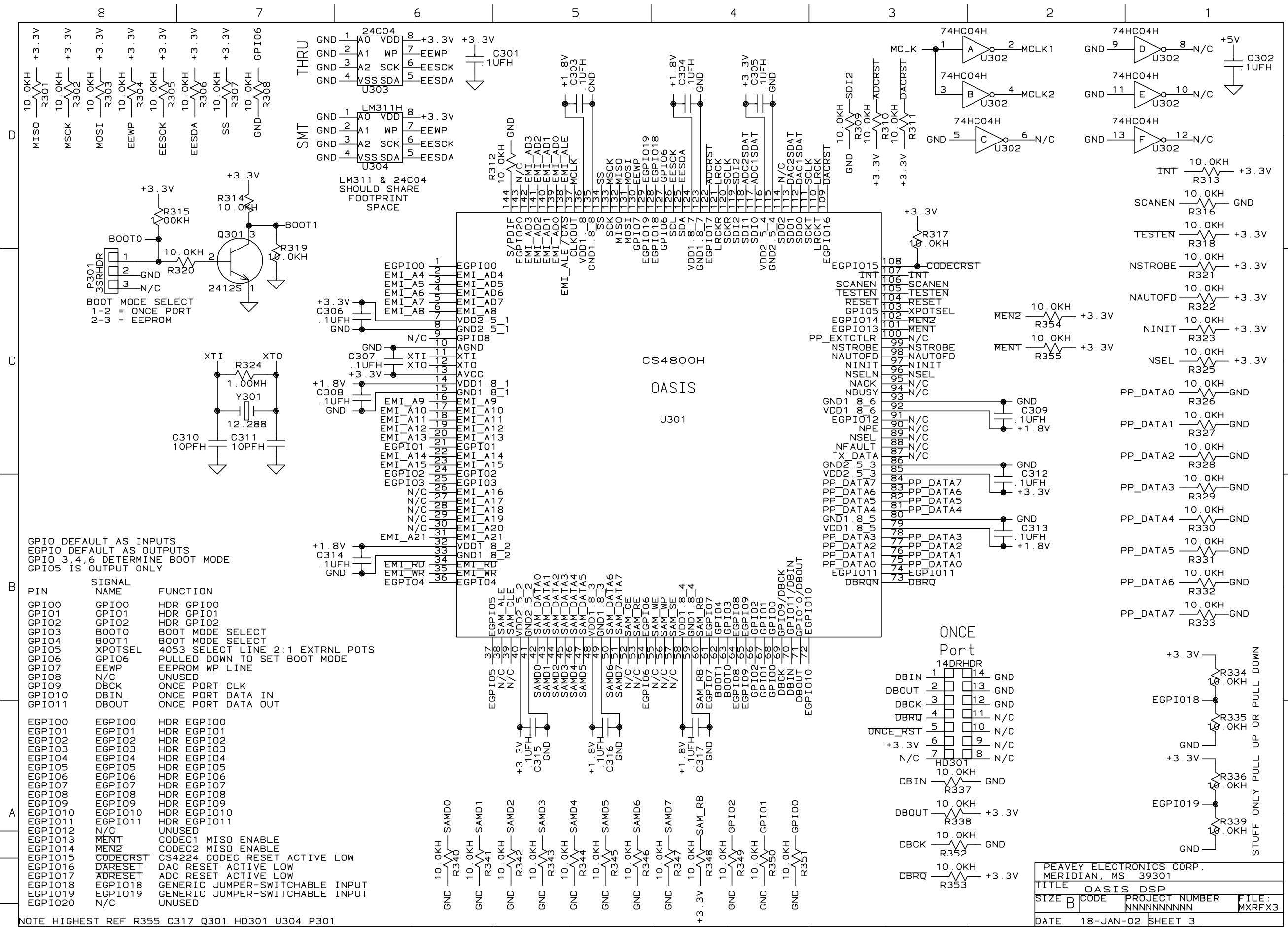


PIN9=1 -> PIN3=PIN4  
PIN9=0 -> PIN5=PIN4

NOTE HIGHEST REF D204 R213 C217 U203

PEAVEY ELECTRONICS CORP. MERIDIAN, MS 39301			
TITLE Mixer FX & Pot Inputs			
SIZE B	CODE	NUMBER	FILE: MXRFX2
DATE	24-JAN-02	SHEET	2

8 | 7 | 6 | 5 | 4 | 3 | 2 | 1



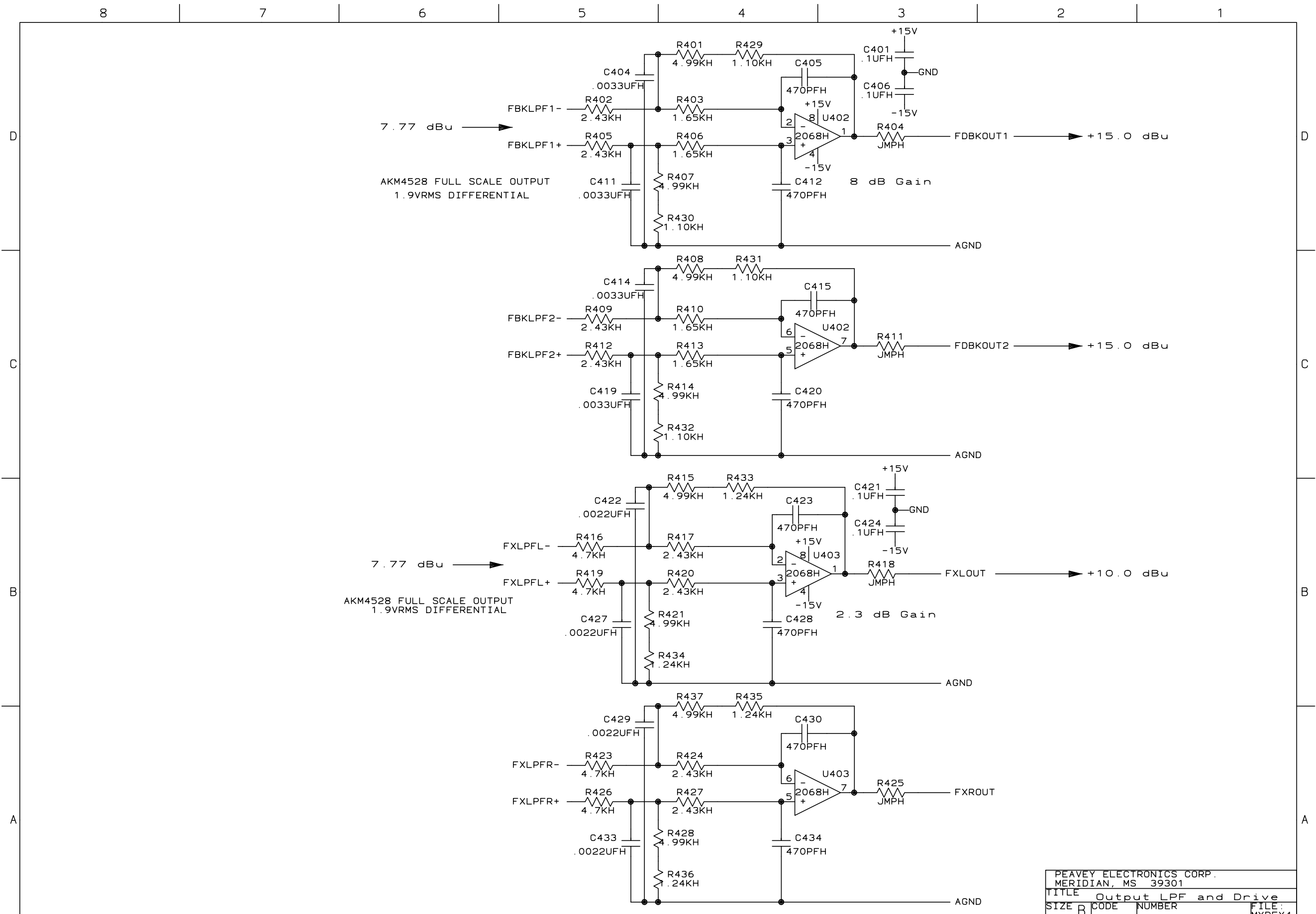
GPIO DEFAULT AS INPUTS  
 EGPI0 DEFAULT AS OUTPUTS  
 GPIO 3,4,6 DETERMINE BOOT MODE  
 GPIO5 IS OUTPUT ONLY

PIN	SIGNAL NAME	FUNCTION
GPIO0	GPIO0	HDR GPIO0
GPIO1	HDR GPIO1	
GPIO2	HDR GPIO2	
GPIO3	BOOT0	BOOT MODE SELECT
GPIO4	BOOT1	BOOT MODE SELECT
GPIO5	XPOTSEL	4053 SELECT LINE 2:1 EXTRNL POTS
GPIO6	GPIO6	PULLED DOWN TO SET BOOT MODE
GPIO7	EEWP	EEPROM WP LINE
GPIO8	N/C	UNUSED
GPIO9	DBCK	ONCE PORT CLK
GPIO10	DBIN	ONCE PORT DATA IN
GPIO11	DBOUT	ONCE PORT DATA OUT

EGPI00	EGPI00	HDR EGPI00
EGPI01	EGPI01	HDR EGPI01
EGPI02	EGPI02	HDR EGPI02
EGPI03	EGPI03	HDR EGPI03
EGPI04	EGPI04	HDR EGPI04
EGPI05	EGPI05	HDR EGPI05
EGPI06	EGPI06	HDR EGPI06
EGPI07	EGPI07	HDR EGPI07
EGPI08	EGPI08	HDR EGPI08
EGPI09	EGPI09	HDR EGPI09
EGPI010	EGPI010	HDR EGPI010
EGPI011	EGPI011	HDR EGPI011
EGPI012	N/C	UNUSED
EGPI013	MENT	CODEC1 MISO ENABLE
EGPI014	MENT	CODEC2 MISO ENABLE
EGPI015	CODECRST	CS4224 CODEC RESET ACTIVE LOW
EGPI016	DARESET	DAC RESET ACTIVE LOW
EGPI017	ADRESET	ADC RESET ACTIVE LOW
EGPI018	EGPI018	GENERIC JUMPER-SWITCHABLE INPUT
EGPI019	EGPI019	GENERIC JUMPER-SWITCHABLE INPUT
EGPI020	N/C	UNUSED

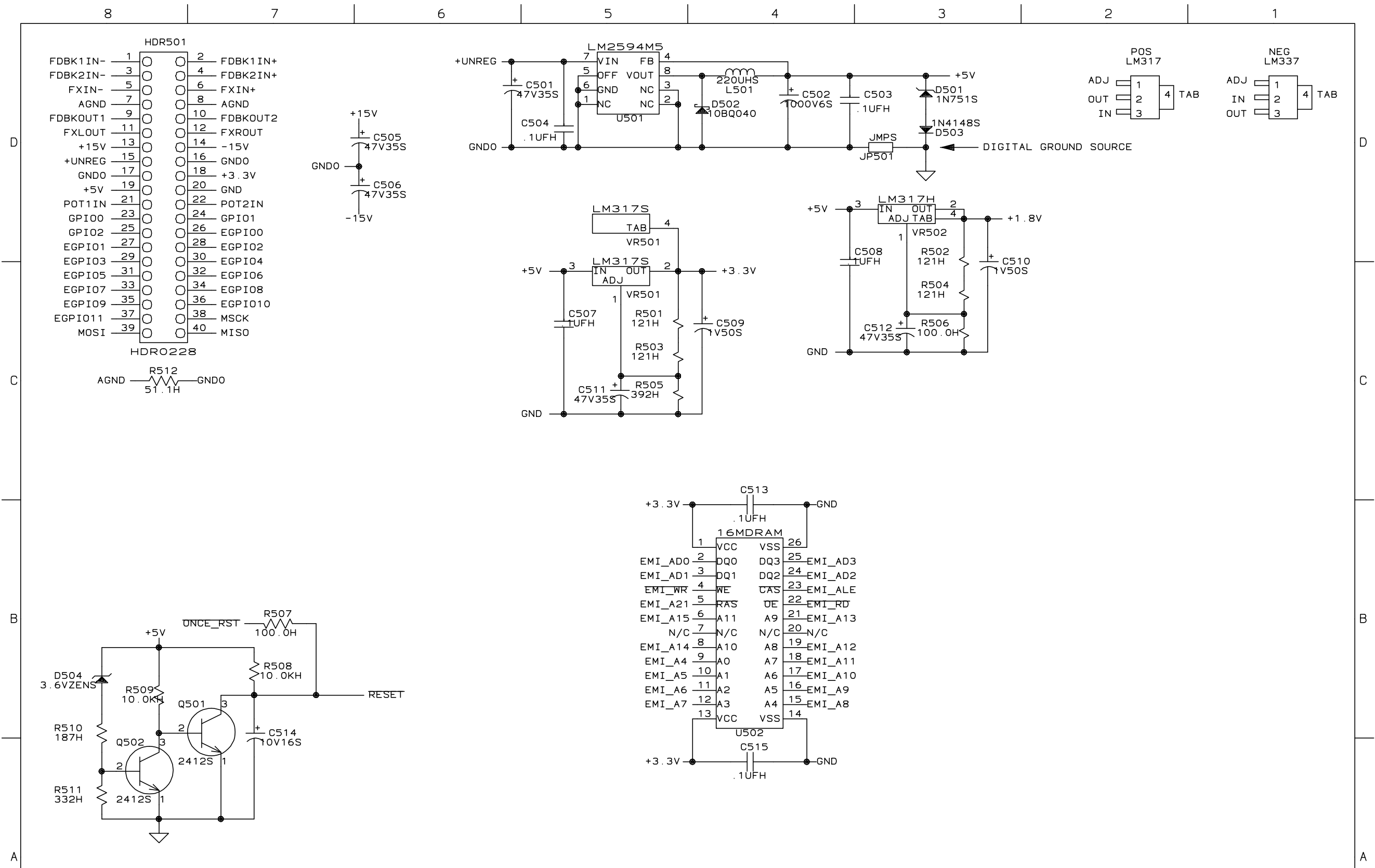
NOTE HIGHEST REF R355 C317 Q301 HD301 U304 P301

PEAVEY ELECTRONICS CORP. MERIDIAN, MS 39301			
TITLE OASIS DSP			
SIZE B	CODE	PROJECT NUMBER	FILE:
		NNNNNNNNNN	MXRFX3
DATE	18-JAN-02	SHEET	3



NOTE HIGHEST REF R437 C434 U403

PEAVEY ELECTRONICS CORP.			
MERIDIAN, MS 39301			
TITLE Output LPF and Drive			
SIZE B	CODE	NUMBER	FILE: MXRFX4
DATE 18-JAN-02	SHEET 4		

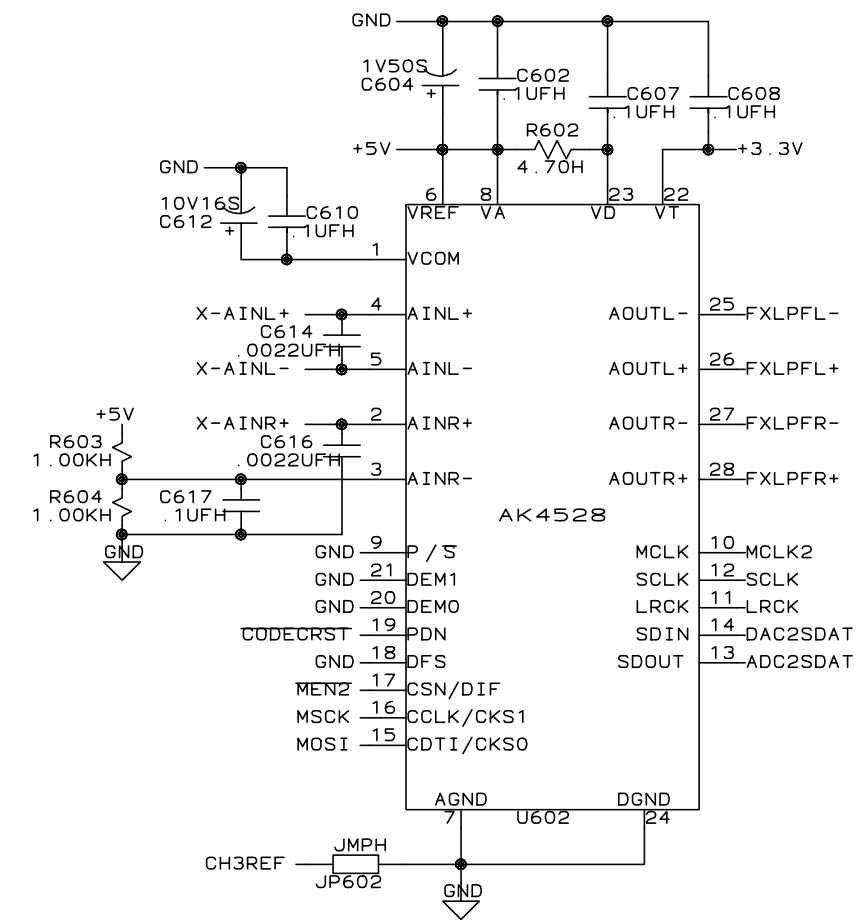
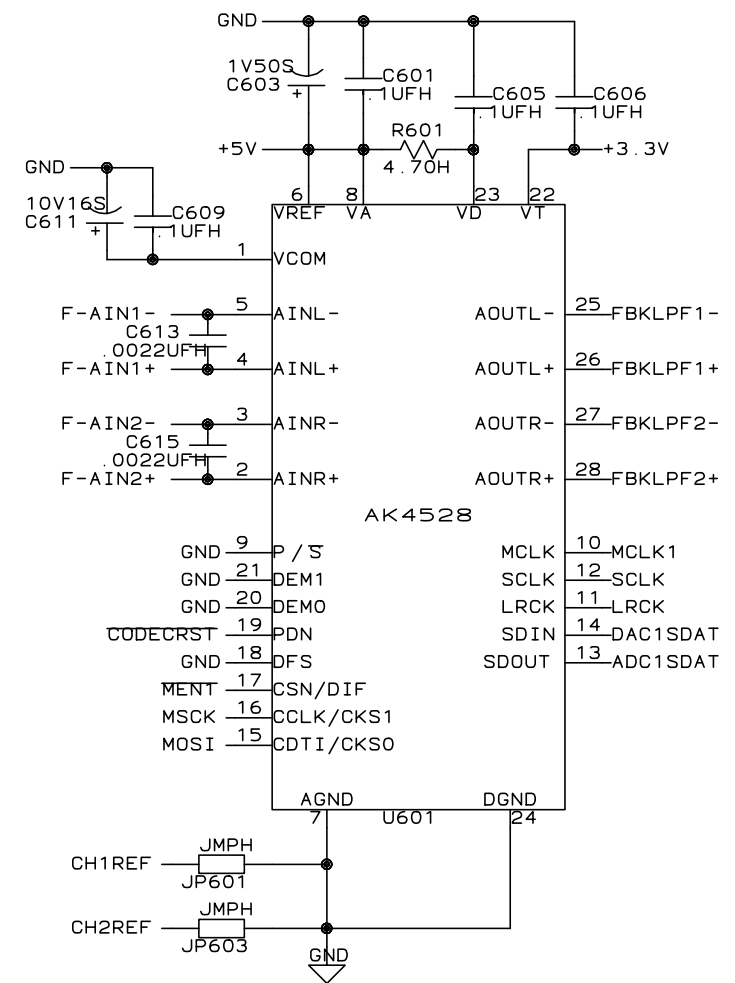


NOTE HIGHEST REF D504 R512 C515 Q502 L501 HDR501 VR502 U502 JP501

PEAVEY ELECTRONICS CORP. MERIDIAN, MS 39301			
TITLE Power DRAM & I-O Header			
SIZE B	CODE	NUMBER	FILE: MXRFX5
DATE 22-JAN-02	SHEET 5		

D  
C  
B  
A

D  
C  
B  
A



NOTE HIGHEST REF R604 C617 U602 JP603

PEAVEY ELECTRONICS CORP.			
MERIDIAN, MS 39301			
TITLE CODECS			
SIZE B	CODE	NUMBER	FILE: MXRF6
DATE 18-JAN-02	SHEET 6		