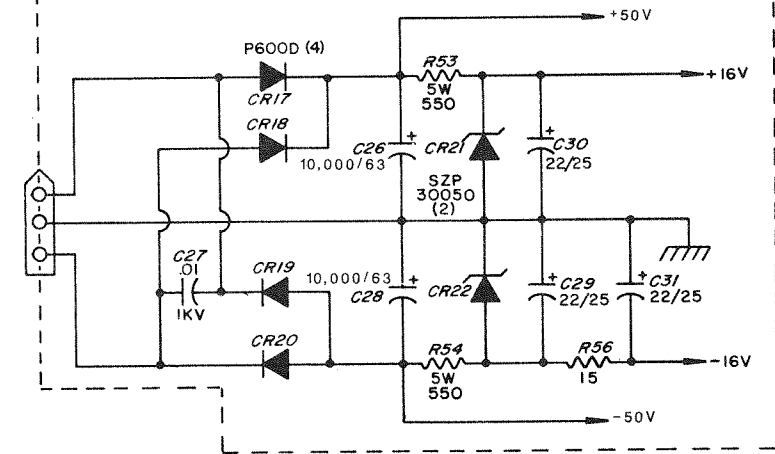


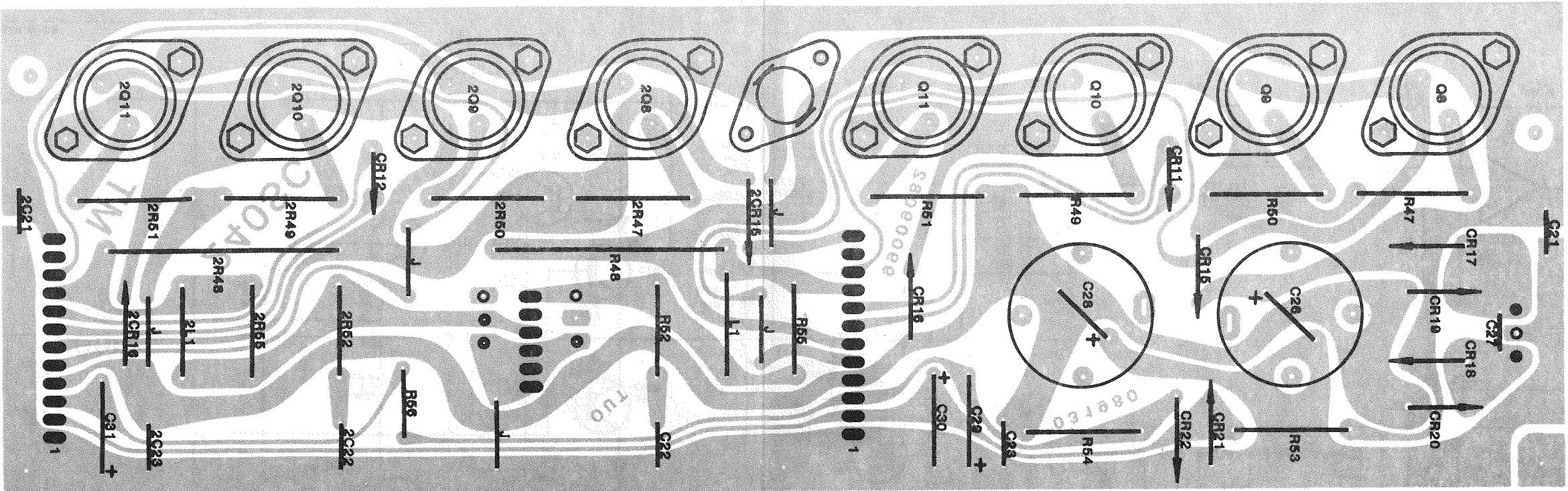
NOTES

- ALL RESISTORS 1/4 W UNLESS NOTED
- ALL RESISTORS IN OHMS UNLESS NOTED
- ALL CAPACITORS IN MFD UNLESS NOTED
- ALL DIODES IN4148 UNLESS NOTED
- LAST REF. DESIGNATOR USED:
- R56 C31 CR20 Q11 L1

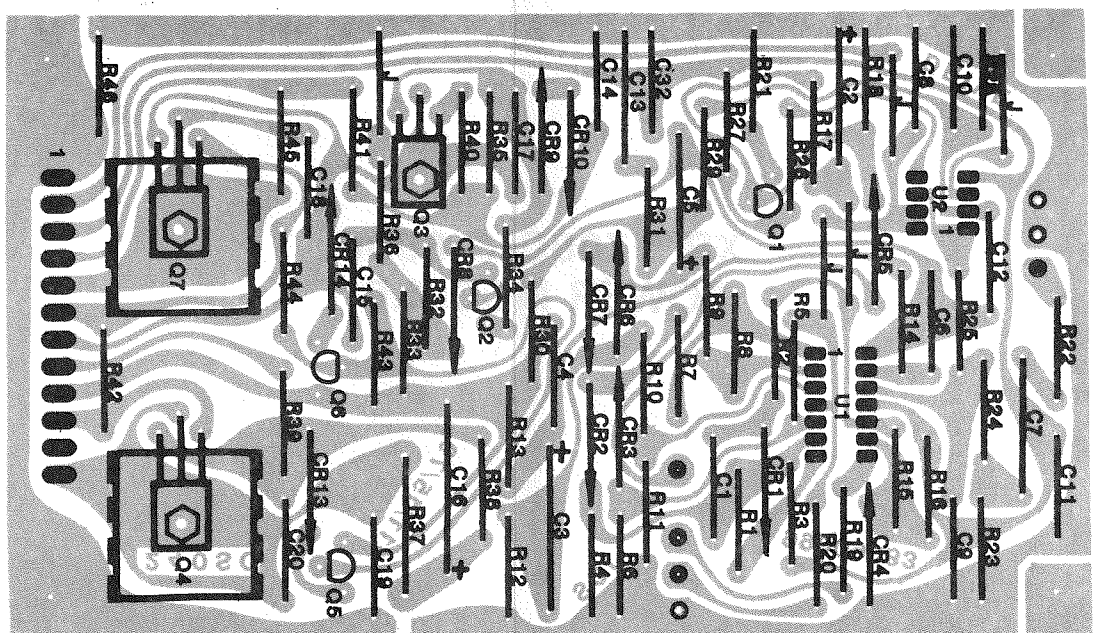
XR™ 700C & 800C
POWER MODULE



PEAVEY ELECTRONICS CORP. MERIDIAN, MS.	
DRAWN BY	JRH DATE 2-29-88
C.B. CHECK	JRH
CHECK BY	JRH
APPR. BY	JRH



OUTPUT



DRIVE