

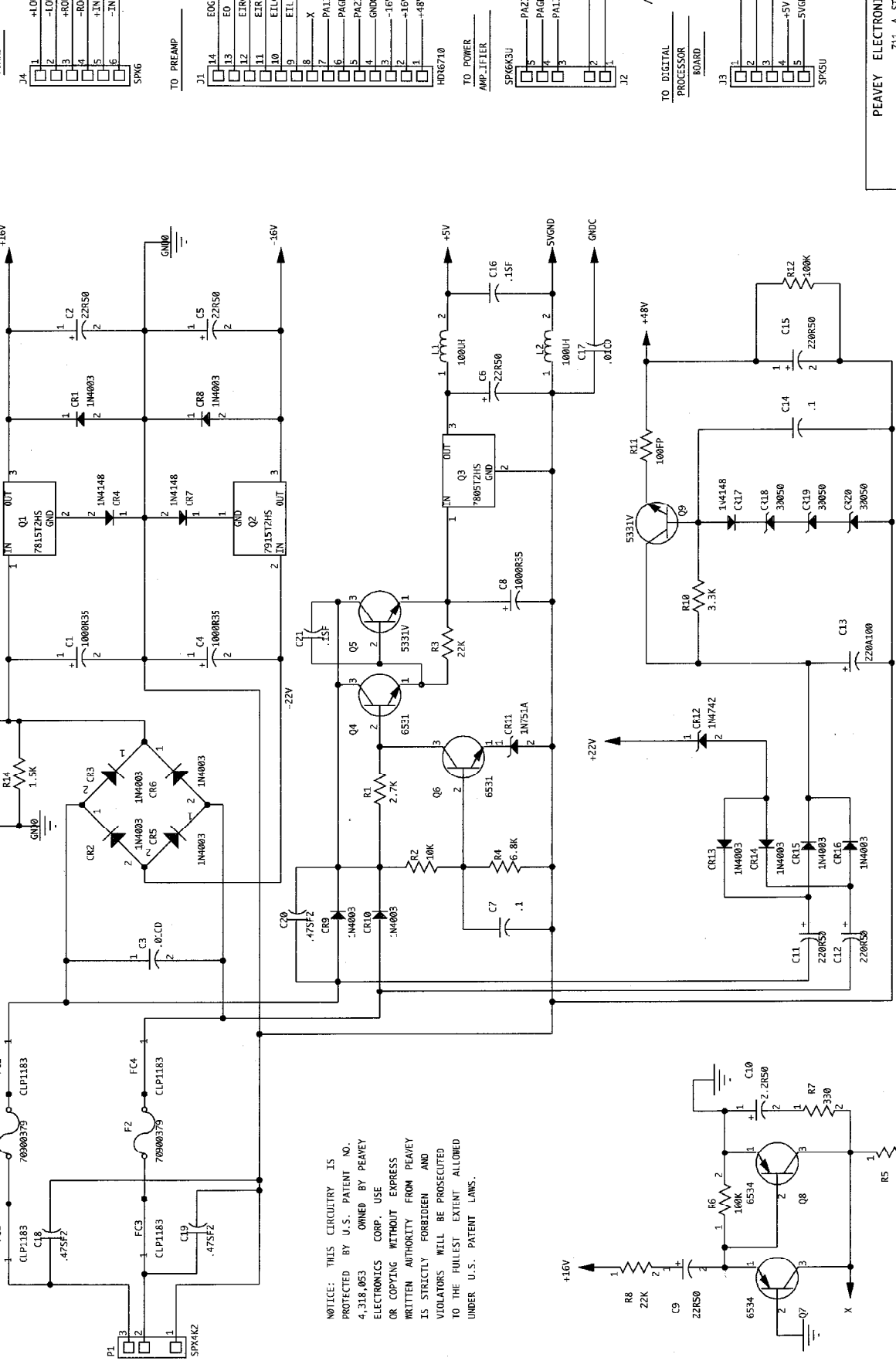
TO TRANSFORMER BOARD

TO DIGITAL PROCESSOR BOARD

TO PREAMP

TO POWER AMP. FILTER

TO DIGITAL PROCESSOR BOARD



NOTICE: THIS CIRCUITRY IS PROTECTED BY U.S. PATENT NO. 4,318,053 OWNED BY PEAVEY ELECTRONICS CORP. USE OR COPYING WITHOUT EXPRESS WRITTEN AUTHORITY FROM PEAVEY IS STRICTLY FORBIDDEN AND VIOLATORS WILL BE PROSECUTED TO THE FULLEST EXTENT ALLOWED UNDER U.S. PATENT LAWS.

PEAVEY ELECTRONICS CORP.
711 A STREET
MERIDIAN, MISSISSIPPI 39301

XRD POWER SUPPLY

PROJECT: MRP:
NUMBER: #81500828
DATE: 15-JAN-96
SHEET: 1 OF 1

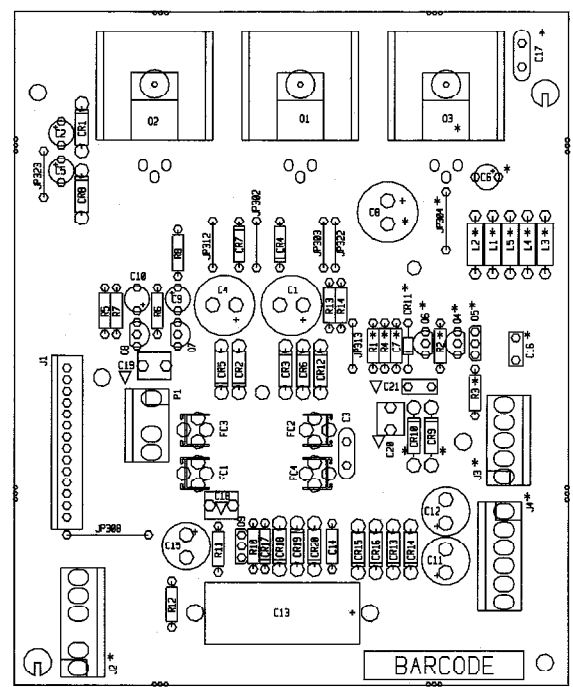
BOARD NAME: XRD POWER SUPPLY
 ASSEMBLY LEVEL NUMBER: 99556982

PARTS LIST IS FOR BASE DESIGN.
 SEE BD. LAYOUT FOR DIFFERENCES.

PART	QTY	NAME	VALUE	PKT	DESCRIPTION AND DEVICE DESIGNATIONS
1	1000R35	1000R35	1000R35	70320136	1000MF-20%-35VDC-EJ-T&A C1
1	22R50	22R50	70320181	70320181	22MF-20%-50VDC-EJ-T&A C2
1	.01CD	.01CD	70320248	70320248	.01MF-20%-1000VDC-CD-T&A C3
1	1000R35	1000R35	70320186	70320186	1000MF-20%-35VDC-EJ-T&A C4
2	22R50	22R50	70320181	70320181	22MF-20%-50VDC-EJ-T&A C5, C6
1	.1	.1	70340100	70340100	.1MF-80-20%-50VDC-AXL-T&R C7
1	1000R35	1000R35	70320186	70320186	1000MF-20%-35VDC-EJ-T&A C8
1	22R50	22R50	70320181	70320181	22MF-20%-50VDC-EJ-T&A C9
1	2.2R50	2.2R50	70320180	70320180	2.2MF-20%-50VDC-EL-T&A C10
2	220R50	220R50	70320187	70320187	220MF-20%-50VDC-EL-T&A C11, C12
1	220A100	220A100	70320017	70320017	220 MFD 100VDC LYTIC CAP C13
1	.1	.1	70340100	70340100	.1MF-80-20%-50VDC-AXL-T&R C14
1	220R50	220R50	70320187	70320187	220MF-20%-50VDC-EL-T&A C15
1	.1SF	.1SF	70330113	70330113	0.10 MFD 10% 100V STCK FILM T&A C16
1	.01CD	.01CD	70320248	70320248	.01MF-20%-1000VDC-CD-T&A C17
3	.47SF2	.47SF2	70330148	70330148	.47MF 5% 100VDC SF T&A C18, C19, C20
1	.1SF	.1SF	70330113	70330113	0.10 MFD 10% 100V STCK FILM T&A C21
3	1N4003	1N4003	704640C3	704640C3	1N4003 200V SILICON DIODE CR1, CR2, CR3
1	1N4148	414E	70464148	70464148	1N4148 75V 10MA SILICON DIODE CR4
2	1N4003	1N4003	704640C3	704640C3	1N4003 200V SILICON DIODE CR5, CR6
1	1N4148	414E	70464148	70464148	1N4148 75V 10MA SILICON DIODE CR7
3	1N4003	1N4003	704640C3	704640C3	1N4003 200V SILICON DIODE CR8, CR9, CR10
1	1N751A	1N751A	70400751	70400751	1N751A 5.1V, .4W, 5% ZENER DIODE CR11
1	1N4742	4742	70464742	70464742	1N4742A 12V ZENER DIODE T&R CR12
4	1N4003	1N4003	704640C3	704640C3	1N4003 200V SILICON DIODE CR13, CR14, CR15, CR16
1	1N4148	414E	70464148	70464148	1N4148 75V 10MA SILICON DIODE CR17
3	30050	30050	70430050	70430050	SZP30050 16V 1 WATT 5% ZENER DIODE T&R CR18, CR19, CR20
4	CLP1183	CLP1183	709011E3	709011E3	FUSECLIP, PC MT - T&A FC1, FC2, FC3, FC4
1	HDR6710	73716710	73716710	73716710	14 pin headerasm. 2.5m J1
1	SPX6K3U	SPX6K3U	XXXXXXX	XXXXXXX	5 EACH OF STAKE PINS J2
1	SPX5U	SPX5U	737170C3	737170C3	5 EACH OF STAKE PINS J3
1	SPX6	SPX6	XXXXXXX	XXXXXXX	6 EACH OF STAKE PINS J4

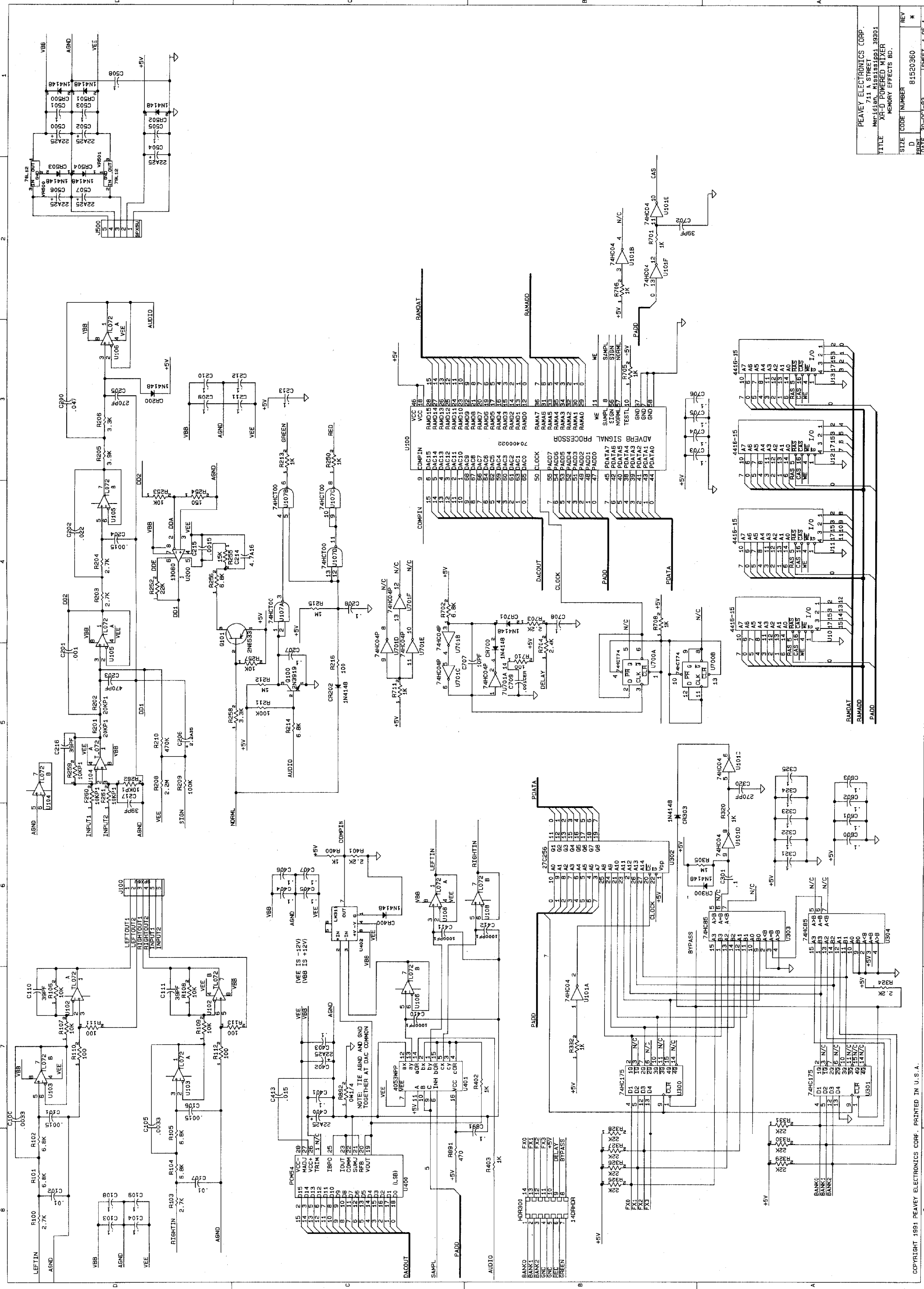
*-NOT PLACED ON IRM 8150 ASSEMBLIES
 (Domestic - 99530371 & Export - 99530372)

▽ Insert C18, C19, C20 & C21 on Both EXPORT versions ONLY
 (99596983 & 99530372)



ASS'Y NAME	ASS'Y P/N
XRD 680	99596982
▽ XRD 680 Export	99596983
IRM 8150	99530371
▽ IRM 8150 Export	99530372

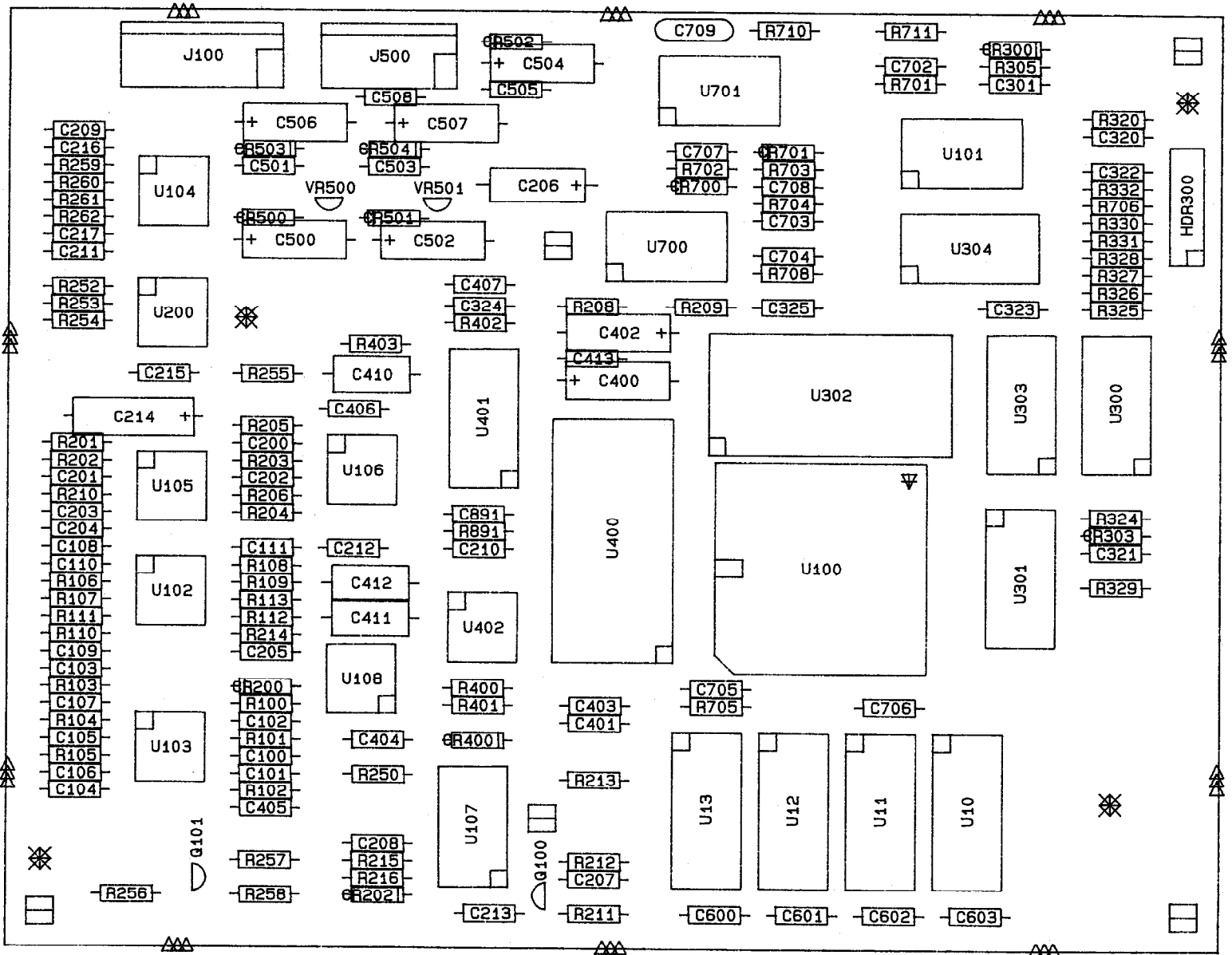
XRD 680 POWER SUPPLY



PEAVEY ELECTRONICS CORP.
 711 A STREET
 Meridian, Mississippi 39301
 TITLE XR-D POWERED MIXER
 MEMORY EFFECTS BD.

SIZE CODE NUMBER B1520360
 D
 PRINT
 DATE 30-OCT-92
 SHEET 1 OF 1

COPYRIGHT 1991 PEAVEY ELECTRONICS CORP. PRINTED IN U.S.A.

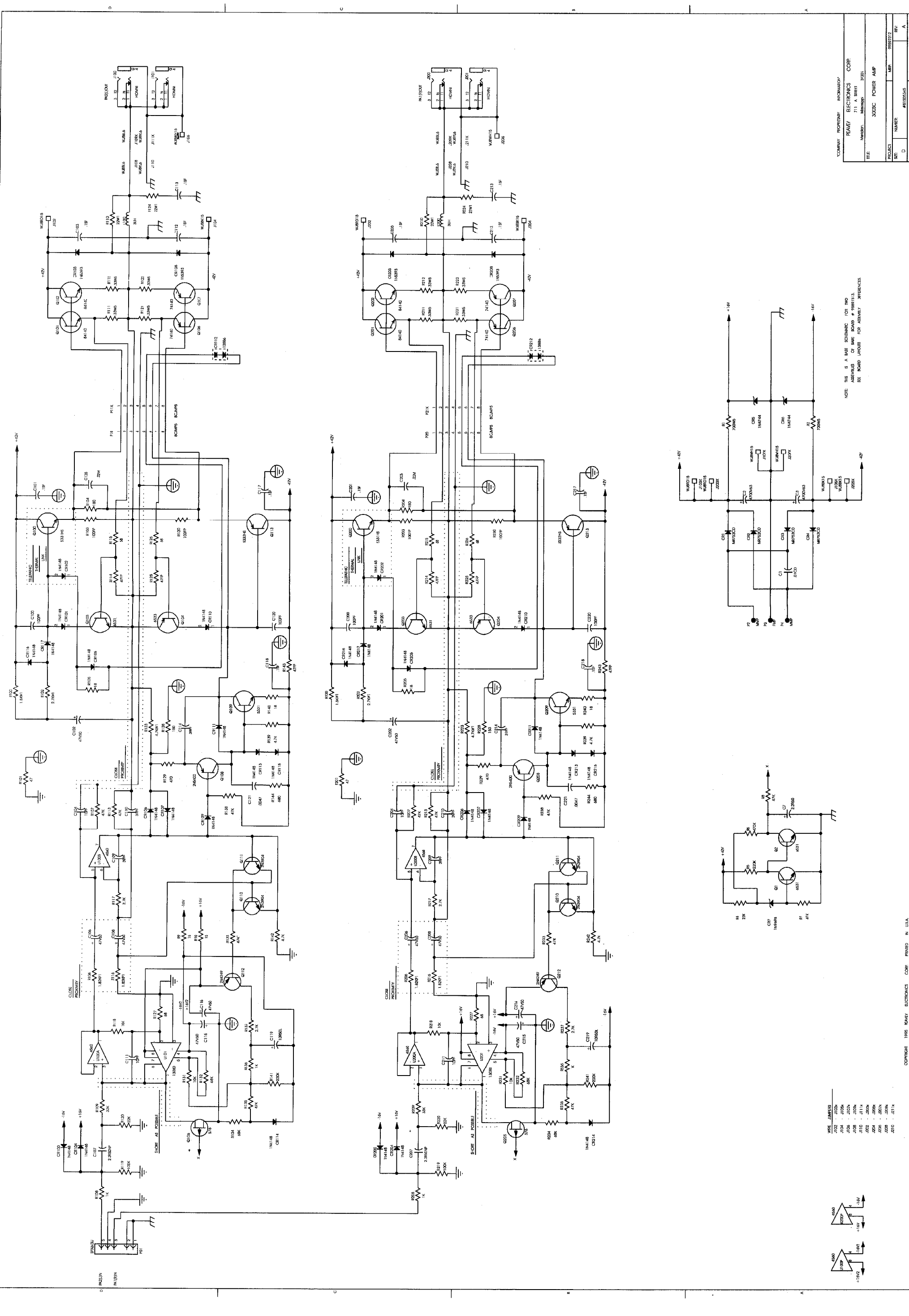


MEMORY EFFECTS BD.

NAME VALUE NUMBER DESCRIPTION

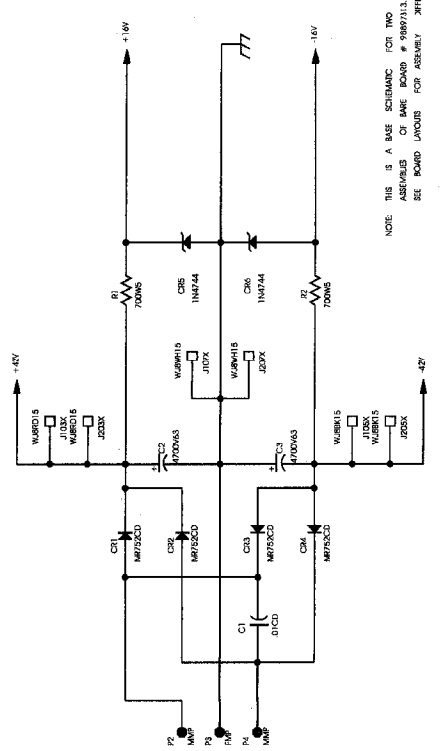
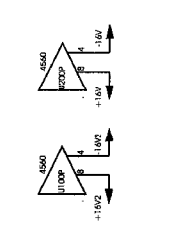
C100 .0033 70340006 .0033 MFD 10% 50V T/C T&R
 C101 .0015 70340002 .0015 MFD 10% 50V T/C T&R
 C102 .01 70340011 .01 MFD 10% 50V T/C T&R
 C103 .1 70340100 .1 MFD +80-20LV AX.LP.T&R
 C104 .1 70340100 .1 MFD +80-20LV AX.LP.T&R
 C105 .0033 70340006 .0033 MFD 10% 50V T/C T&R
 C106 .0015 70340002 .0015 MFD 10% 50V T/C T&R
 C107 .01 70340011 .01 MFD 10% 50V T/C T&R
 C108 .1 70340100 .1 MFD +80-20LV AX.LP.T&R
 C109 .1 70340100 .1 MFD +80-20LV AX.LP.T&R
 C110 39PF 70340052 39PF 50V TUB CER T&R
 C111 39PF 70340052 39PF 50V TUB CER T&R
 C200 .047 70340017 .047 MFD 10% 50V MON T&R
 C201 .001 70340000 .001 MFD 10% 50V MON T&R
 C202 .022 70340012 .022 MFD 10% 50V MON T&R
 C203 470PF 70340058 470PF 10% 50V TUB CER T&R
 C204 .0015 70340002 .0015 MFD 10% 50V T/C T&R
 C205 270PF 70340057 270PF 10% 50V TUB CER T&R
 C206 2.2A35 70320200 2.2MFD 35VDC LY.CAP T&R
 C207 .1 70340100 .1 MFD +80-20LV AX.LP.T&R
 C208 .1 70340100 .1 MFD +80-20LV AX.LP.T&R
 C209 .1 70340100 .1 MFD +80-20LV AX.LP.T&R
 C210 .1 70340100 .1 MFD +80-20LV AX.LP.T&R
 C211 .1 70340100 .1 MFD +80-20LV AX.LP.T&R
 C212 .1 70340100 .1 MFD +80-20LV AX.LP.T&R
 C213 .1 70340100 .1 MFD +80-20LV AX.LP.T&R
 C214 4.7A16 70330011 4.7 MFD 16V +/-20% LYTIC
 C215 .0015 70340002 .0015 MFD 10% 50V T/C T&R
 C216 39PF 70340052 39PF 50V TUB CER T&R
 C217 39PF 70340052 39PF 50V TUB CER T&R
 C301 .1 70340100 .1 MFD +80-20LV AX.LP.T&R
 C320 270PF 70340057 270PF 10% 50V TUB CER T&R
 C321 .1 70340100 .1 MFD +80-20LV AX.LP.T&R
 C322 .1 70340100 .1 MFD +80-20LV AX.LP.T&R
 C323 .1 70340100 .1 MFD +80-20LV AX.LP.T&R
 C324 .1 70340100 .1 MFD +80-20LV AX.LP.T&R
 C325 .1 70340100 .1 MFD +80-20LV AX.LP.T&R
 C400 22A25 70320012 22 MFD 25VDC LYT. CAP. T&R
 C401 .1 70340100 .1 MFD +80-20LV AX.LP.T&R
 C402 22A25 70320012 22 MFD 25VDC LYT. CAP. T&R
 C403 .1 70340100 .1 MFD +80-20LV AX.LP.T&R
 C404 .1 70340100 .1 MFD +80-20LV AX.LP.T&R
 C405 .1 70340100 .1 MFD +80-20LV AX.LP.T&R
 C406 .1 70340100 .1 MFD +80-20LV AX.LP.T&R
 C407 .1 70340100 .1 MFD +80-20LV AX.LP.T&R
 C410 1000PF1 70330090 .001 MFD 1% POLY T&R
 C411 1000PF1 70330090 .001 MFD 1% POLY T&R
 C412 1000PF1 70330090 .001 MFD 1% POLY T&R
 C413 .015 70340010 .015 MFD 10% 50V T/C T&R
 C500 22A25 70320012 22 MFD 25VDC LYT. CAP. T&R
 C501 .1 70340100 .1 MFD +80-20LV AX.LP.T&R
 C502 22A25 70320012 22 MFD 25VDC LYT. CAP. T&R
 C503 .1 70340100 .1 MFD +80-20LV AX.LP.T&R
 C504 22A25 70320012 22 MFD 25VDC LYT. CAP. T&R
 C505 .1 70340100 .1 MFD +80-20LV AX.LP.T&R
 C506 22A25 70320012 22 MFD 25VDC LYT. CAP. T&R
 C507 22A25 70320012 22 MFD 25VDC LYT. CAP. T&R
 C508 .1 70340100 .1 MFD +80-20LV AX.LP.T&R
 C600 .1 70340100 .1 MFD +80-20LV AX.LP.T&R
 C601 .1 70340100 .1 MFD +80-20LV AX.LP.T&R
 C602 .1 70340100 .1 MFD +80-20LV AX.LP.T&R
 C603 .1 70340100 .1 MFD +80-20LV AX.LP.T&R
 C702 39PF 70340052 39PF 50V TUB CER T&R
 C703 .1 70340100 .1 MFD +80-20LV AX.LP.T&R
 C704 .1 70340100 .1 MFD +80-20LV AX.LP.T&R
 C705 .1 70340100 .1 MFD +80-20LV AX.LP.T&R
 C706 .1 70340100 .1 MFD +80-20LV AX.LP.T&R
 C707 10PF 70340050 10 PF 5% TUB.CER.T&R
 C708 .1 70340100 .1 MFD +80-20LV AX.LP.T&R
 C709 .001CER 70320059 .001 MFD 500VDC Z5F 20% CERAMIC DISC
 C891 .1 70340100 .1 MFD +80-20LV AX.LP.T&R
 CR200 1N4148 70464148 1N4148 75V 10MA SILICON DIODE
 CR202 1N4148 70464148 1N4148 75V 10MA SILICON DIODE
 CR300 1N4148 70464148 1N4148 75V 10MA SILICON DIODE
 CR303 1N4148 70464148 1N4148 75V 10MA SILICON DIODE
 CR400 1N4148 70464148 1N4148 75V 10MA SILICON DIODE
 CR500 1N4148 70464148 1N4148 75V 10MA SILICON DIODE
 CR501 1N4148 70464148 1N4148 75V 10MA SILICON DIODE
 CR502 1N4148 70464148 1N4148 75V 10MA SILICON DIODE
 CR503 1N4148 70464148 1N4148 75V 10MA SILICON DIODE
 CR504 1N4148 70464148 1N4148 75V 10MA SILICON DIODE
 CR700 1N4148 70464148 1N4148 75V 10MA SILICON DIODE
 CR701 1N4148 70464148 1N4148 75V 10MA SILICON DIODE
 Q100 2N3919 70403919 SKA-3919 TO92 NPN TRANS
 Q101 2N6533 70406533 MPS-6533 TO-92 PNP
 R100 2.7K 70240021 2700—1/4W—5%—CF—T&R
 R101 6.8K 70240024 6800—1/4W—5%—CF—T&R
 R102 6.8K 70240024 6800—1/4W—5%—CF—T&R
 R103 2.7K 70240021 2700—1/4W—5%—CF—T&R
 R104 6.8K 70240024 6800—1/4W—5%—CF—T&R
 R105 6.8K 70240024 6800—1/4W—5%—CF—T&R
 R106 10K 70240025 10K—1/4W—5%—CF—T&R
 R107 10K 70240025 10K—1/4W—5%—CF—T&R

R108 10K 70240025 10K—1/4W—5%—CF—T&R
 R109 10K 70240025 10K—1/4W—5%—CF—T&R
 R110 100 70240010 100—1/4W—5%—CF—T&R
 R111 100 70240010 100—1/4W—5%—CF—T&R
 R112 100 70240010 100—1/4W—5%—CF—T&R
 R113 100 70240010 100—1/4W—5%—CF—T&R
 R201 20KP1 70241040 20K—1/4W—1%—MF—T&R
 R202 20KP1 70241040 20K—1/4W—1%—MF—T&R
 R203 2.7K 70240021 2700—1/4W—5%—CF—T&R
 R204 2.7K 70240021 2700—1/4W—5%—CF—T&R
 R205 3.9K 70241093 3.9K—1/4W—5%—CF—AXL
 R206 3.3K 70240022 3300—1/4W—5%—CF—T&R
 R208 2.2M 70240040 2.2M—1/4W—5%—CF—T&R
 R209 100K 70240034 100K—1/4W—5%—CF—T&R
 R210 470K 70240038 470K—1/4W—5%—CF—T&R
 R211 100K 70240034 100K—1/4W—5%—CF—T&R
 R212 1M 70240039 1M—1/4W—5%—CF—T&R
 R213 1K 70240017 1K—1/4W—5%—CF—T&R
 R214 6.8K 70240024 6800—1/4W—5%—CF—T&R
 R215 1M 70240039 1M—1/4W—5%—CF—T&R
 R216 100 70240010 100—1/4W—5%—CF—T&R
 R250 1K 70240017 1K—1/4W—5%—CF—T&R
 R252 22K 70240029 22K—1/4W—5%—CF—T&R
 R253 10K 70240025 10K—1/4W—5%—CF—T&R
 R254 150 70240001 150—1/4W—5%—CF—T&R
 R255 15K 70240027 15K—1/4W—5%—CF—T&R
 R256 6.8K 70240024 6800—1/4W—5%—CF—T&R
 R257 10K 70240025 10K—1/4W—5%—CF—T&R
 R258 3.3K 70240022 3300—1/4W—5%—CF—T&R
 R259 10KP1 70241050 10K1%—1/4W—1%—MF—T&R
 R260 10KP1 70241050 10K1%—1/4W—1%—MF—T&R
 R261 10KP1 70241050 10K1%—1/4W—1%—MF—T&R
 R262 10KP1 70241050 10K1%—1/4W—1%—MF—T&R
 R305 1M 70240039 1M—1/4W—5%—CF—T&R
 R320 1K 70240017 1K—1/4W—5%—CF—T&R
 R324 2.2K 70240020 2200—1/4W—5%—CF—T&R
 R325 22K 70240029 22K—1/4W—5%—CF—T&R
 R326 22K 70240029 22K—1/4W—5%—CF—T&R
 R327 22K 70240029 22K—1/4W—5%—CF—T&R
 R328 22K 70240029 22K—1/4W—5%—CF—T&R
 R329 22K 70240029 22K—1/4W—5%—CF—T&R
 R330 22K 70240029 22K—1/4W—5%—CF—T&R
 R331 22K 70240029 22K—1/4W—5%—CF—T&R
 R332 1K 70240017 1K—1/4W—5%—CF—T&R
 R400 1K 70240017 1K—1/4W—5%—CF—T&R
 R401 2.2K 70240020 2200—1/4W—5%—CF—T&R
 R402 1K 70240017 1K—1/4W—5%—CF—T&R
 R403 1K 70240017 1K—1/4W—5%—CF—T&R
 R701 1K 70240017 1K—1/4W—5%—CF—T&R
 R702 6.8K 70240024 6800—1/4W—5%—CF—T&R
 R703 2.2K 70240020 2200—1/4W—5%—CF—T&R
 R704 2.4K 70240062 2.4K—1/4W—5%—CF—T&R
 R705 1K 70240017 1K—1/4W—5%—CF—T&R
 R706 1K 70240017 1K—1/4W—5%—CF—T&R
 R708 1K 70240017 1K—1/4W—5%—CF—T&R
 R710 100 70240010 100—1/4W—5%—CF—T&R
 R711 1K 70240017 1K—1/4W—5%—CF—T&R
 R891 470 70240015 470—1/4W—5%—CF—T&R
 U10 4464 70424464 64K X4 100 NSEC DRAM
 U100 70400022 70400022 REVERB STD. CELL 68PLCC
 U101 74HC04 70410004 74HC04 HEX INVERTER
 U102 TL072 70400072 TLO-72 DUAL BIFET JG PKG
 U103 TL072 70400072 TLO-72 DUAL BIFET JG PKG
 U104 TL072 70400072 TLO-72 DUAL BIFET JG PKG
 U105 TL072 70400072 TLO-72 DUAL BIFET JG PKG
 U106 TL072 70400072 TLO-72 DUAL BIFET JG PKG
 U107 74HC00 70410000 74HC00N CMOS NAND GATE
 U108 TL072 70400072 TLO-72 DUAL BIFET JG PKG
 U11 4464 70424464 64K X4 100 NSEC DRAM
 U12 4464 70424464 64K X4 100 NSEC DRAM
 U13 4464 70424464 64K X4 100 NSEC DRAM
 U200 13080 70413080 LM3080N CUSTOM SELECTED
 U300 74HC175 70410175 74HC175 4BIT REGISTER W/COMP.OUTPUTS
 U301 74HC175 70410175 74HC175 4BIT REGISTER W/COMP.OUTPUTS
 U302 27C256 70407256 27C256 ADVERB MICRO-PROM
 U303 74HC85 70410085 74HC85 4BIT MAGNITUDE COMPARATOR
 U304 74HC85 70410085 74HC85 4BIT MAGNITUDE COMPARATOR
 U400 PCM54 70420054 PCM54HP 16BIT VOLTAGE D/A
 U401 4053WPP 70404053 CD4053B TRIPLE 2:1 MUX
 U402 LM311 70420311 LM311N VOLTAGE COMPARATOR
 U700 74HC74 70430074 74HC74 CMOS DUAL FLIP FLOP
 VR500 78L12 70400012 78L12ACP 12VOLT 100MA REG
 VR501 79L12 70407912 MC79L12 12V.NEG TO-92 REG



WAVE FORMS

J102	J103
J104	J105
J106	J107
J108	J109
J110	J111
J112	J113
J114	J115
J116	J117
J118	J119
J120	J121



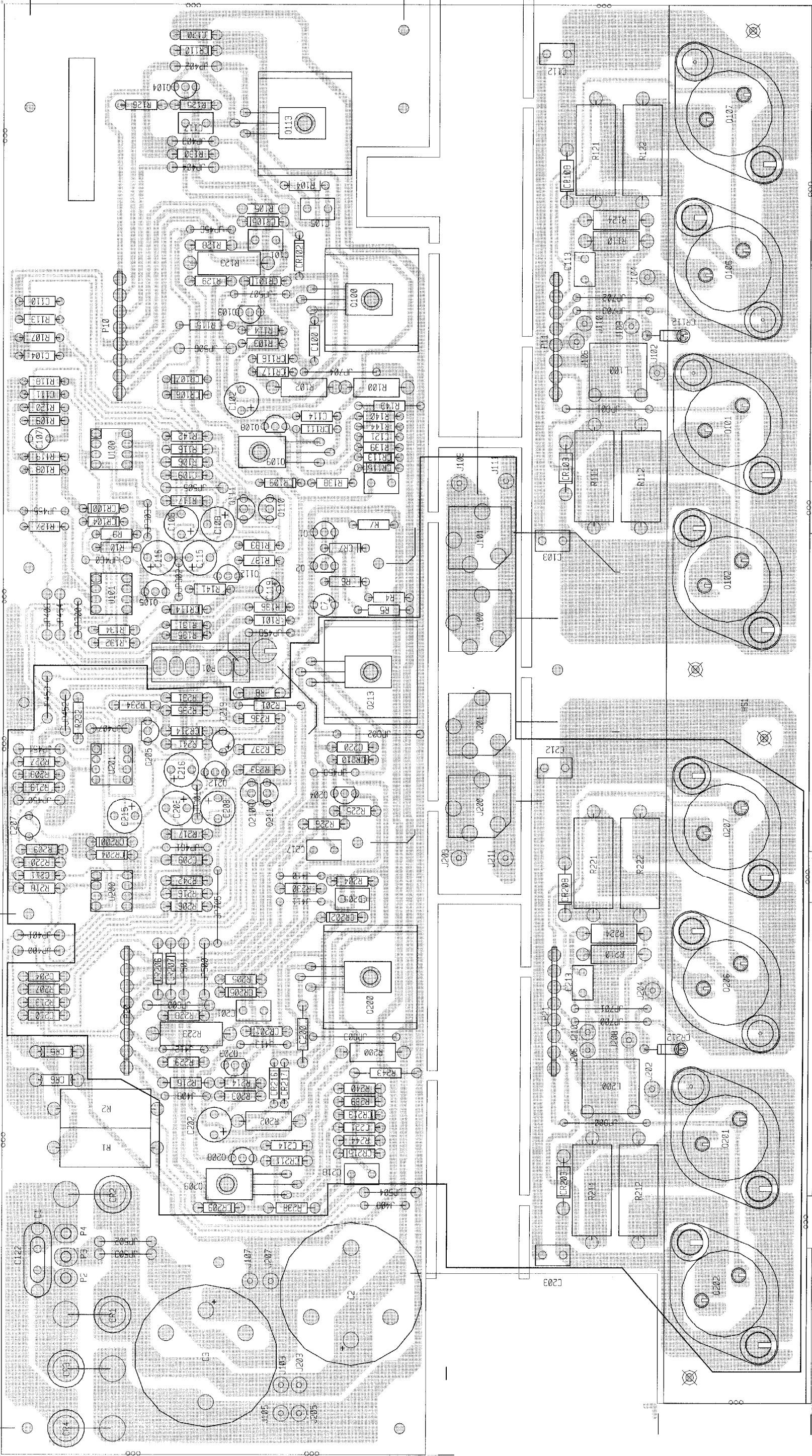
NOTE: THIS IS A BARE SCHEMATIC FOR TWO
 BOARD ASSEMBLY. SEE BOARD JUNCTIONS FOR
 BOARD JUNCTIONS FOR ASSEMBLY REFERENCES.

COMPANY	PROPERTY	INFORMATION
FEAR/	ELECTRONICS	CORP.
711 A STREET		
MEMPHIS		3801
STATE		TENNESSEE
PROJECT	NUMBER	3000C POWER AMP
DATE	12-28-65	SHEET 1 OF 1

FOR IRM 8150 ASSEMBLY
USE 1.5K RESISTORS

DEVICES IN THIS AREA WILL NOT BE
PLACED ON THE IRM 8150 ASSEMBLY

DO NOT INSERT PIN #1
FOR IRM 8150 ASSEMBLY.



INSERT C122 FOR BOTH EXPORT ASSEMBLIES
INSERT C1 FOR BOTH DOMESTIC ASSEMBLIES

300SC POWER

ASSEMBLY NAME
300SC DOMESTIC
300SC EXPORT
IRM 8150 DOMESTIC
IRM 8150 EXPORT

1	2.7K	2.7K	70240021	2.7K-1/4W-5%—CF-T&R R237
1	47K	47K	70240031	47K-1/4W-5%—CF-T&R R238
1	4.7K	4.7K	70240023	4.7K-1/4W-5%—CF-T&R R239
1	18	18	70240006	18—1/4W-5%—CF-T&R R240
1	220K	220K	70240036	220K-1/4W-5%—CF-T&R R241
1	4.7K	4.7K	70240023	4.7K-1/4W-5%—CF-T&R R242
1	47FP	47FP	70240090	47FP-1/4W-5%—FP-T&R R243
1	680	680	70240016	680-1/4W-5%—CF-T&R R244
1	4560	4560	70414560	4560 DUAL OP AMP IC U100
1	13080	13080	70413080	LM3080N CUSTOM SELECTED U101
1	4560	4560	70414560	4560 DUAL OP AMP IC U200
1	13000	13000	70413000	LM3080N CUSTOM SELECTED U201
