

FOOTSWITCH

SELECTOR BUTTON

The selector button allows the performer to obtain the output from the normal channel OR the effects channel. The selector may be thought of as an "either/or" type of control since it allows a choice of either normal or effects channels. As the name implies, the selector button **selects either channel** desired. It should be noted, however, that the selector button is functional when the instrument is plugged into either the series or the parallel jack.

COMBINER BUTTON

The **combiner button defeats** the **selector** button and allows both channels to be in the circuit at one time.

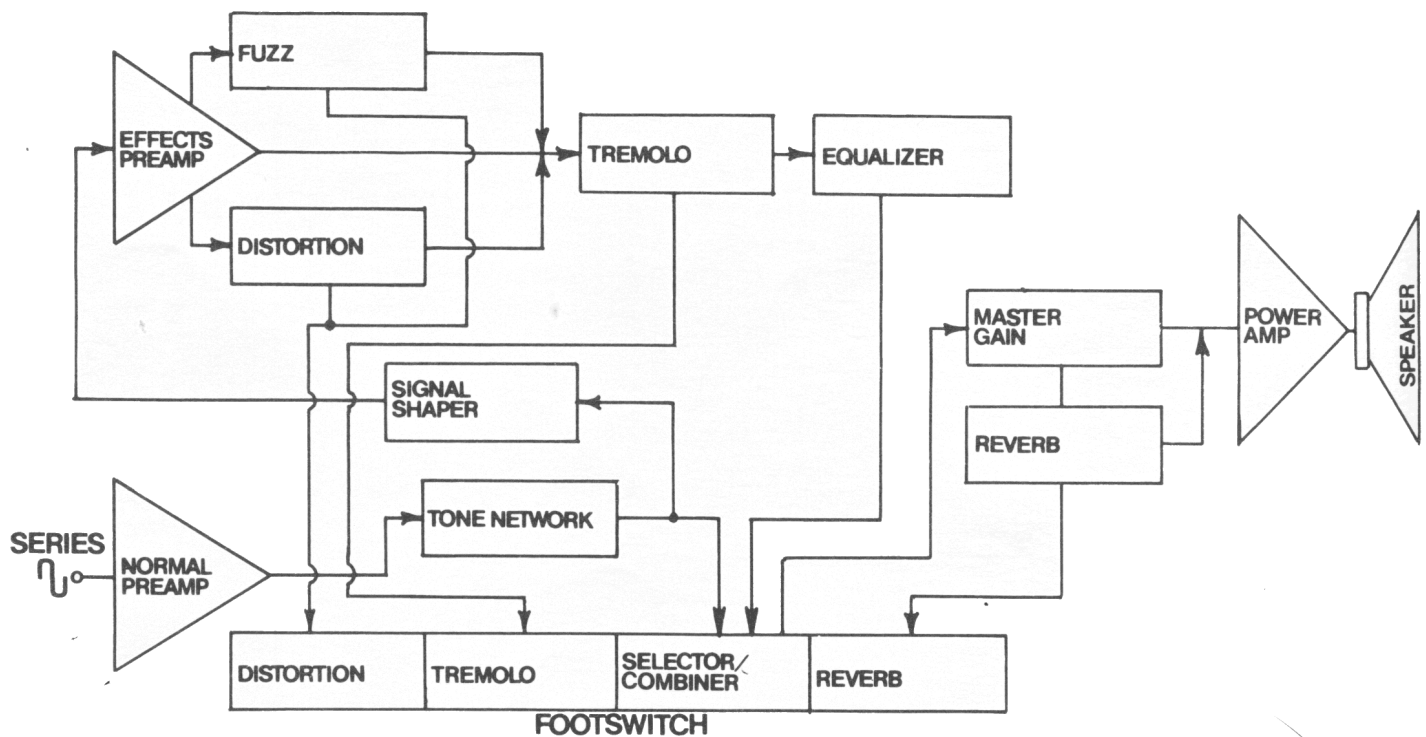
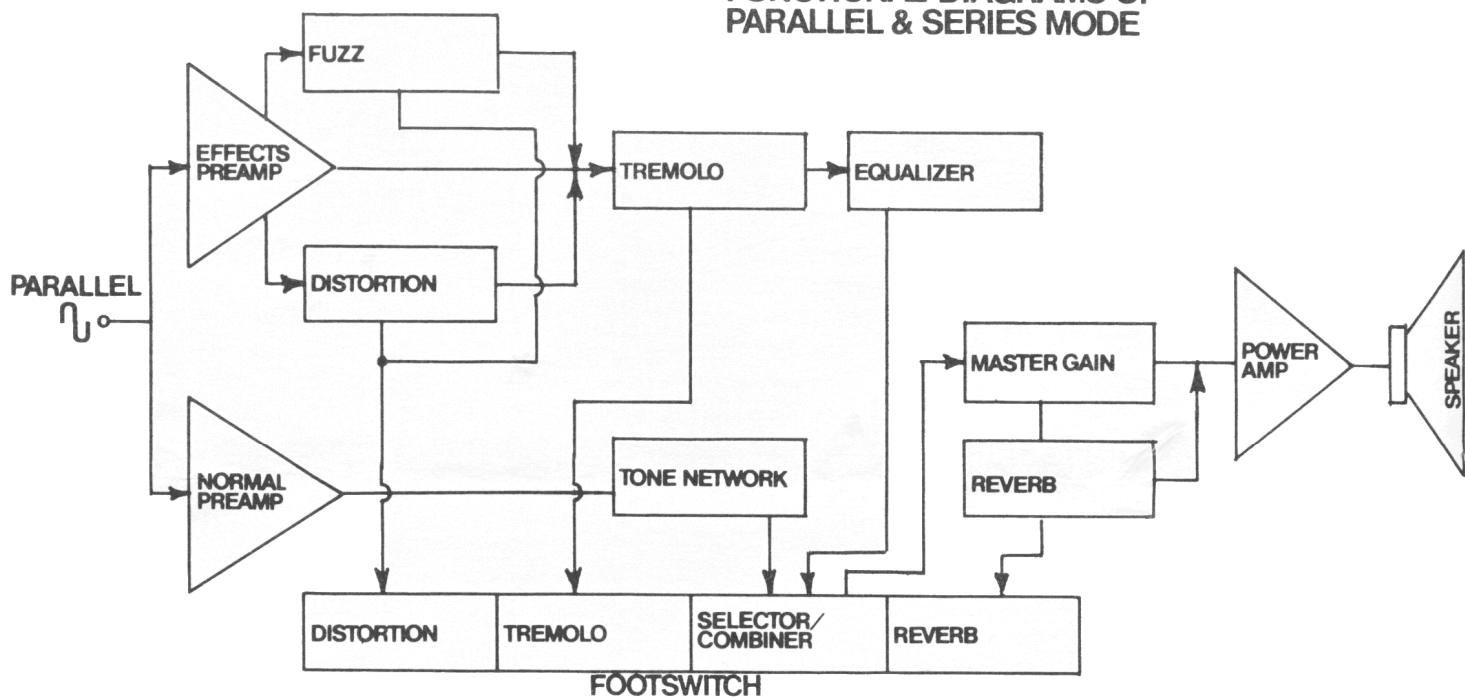
The selector button becomes inoperative as soon as the combiner button is depressed.

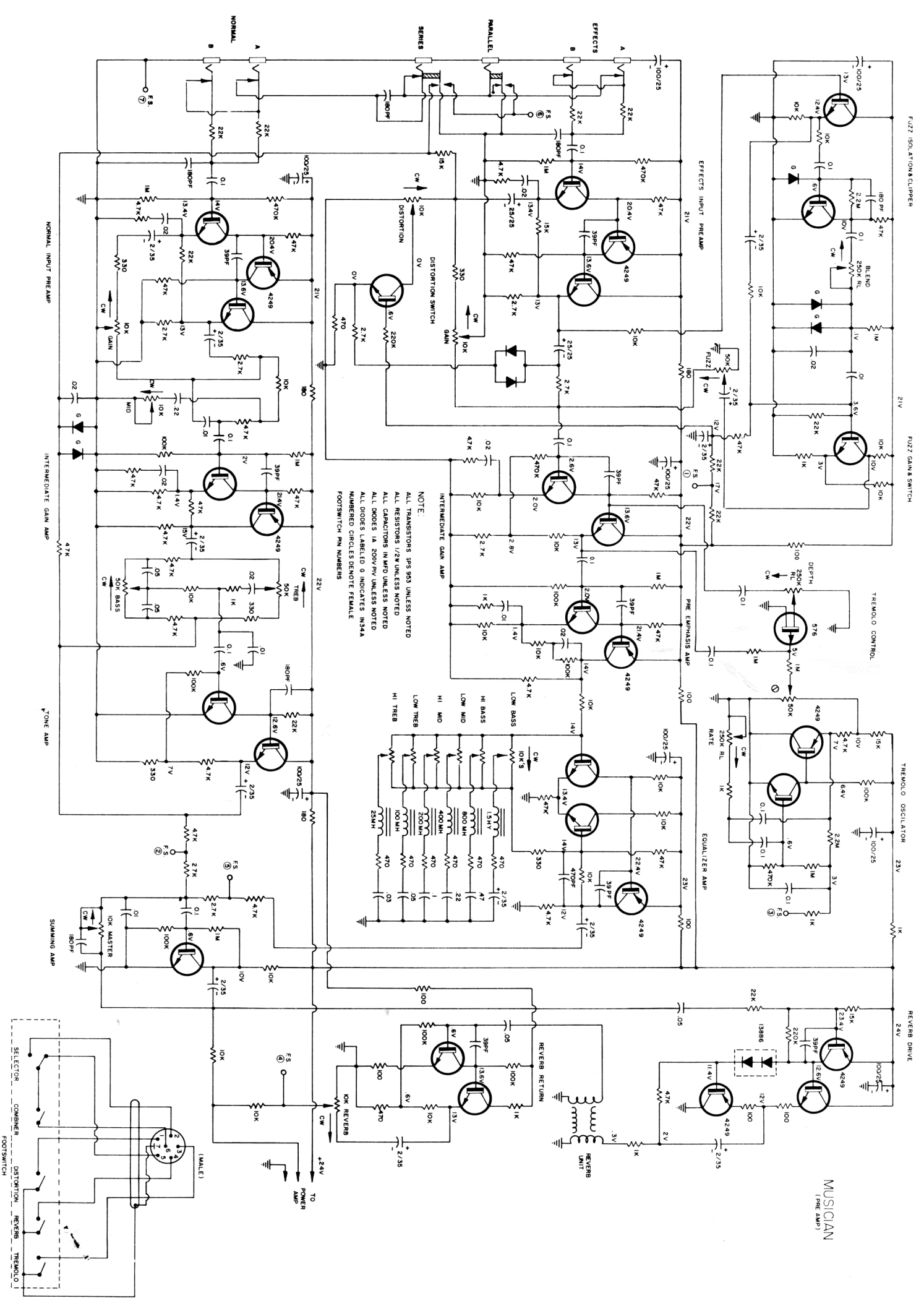
Distortion/Fuzz Button. Activates Distortion/Fuzz.

Reverb Button. Activates Reverb on both channels.

Tremolo Button. Activates tremolo.

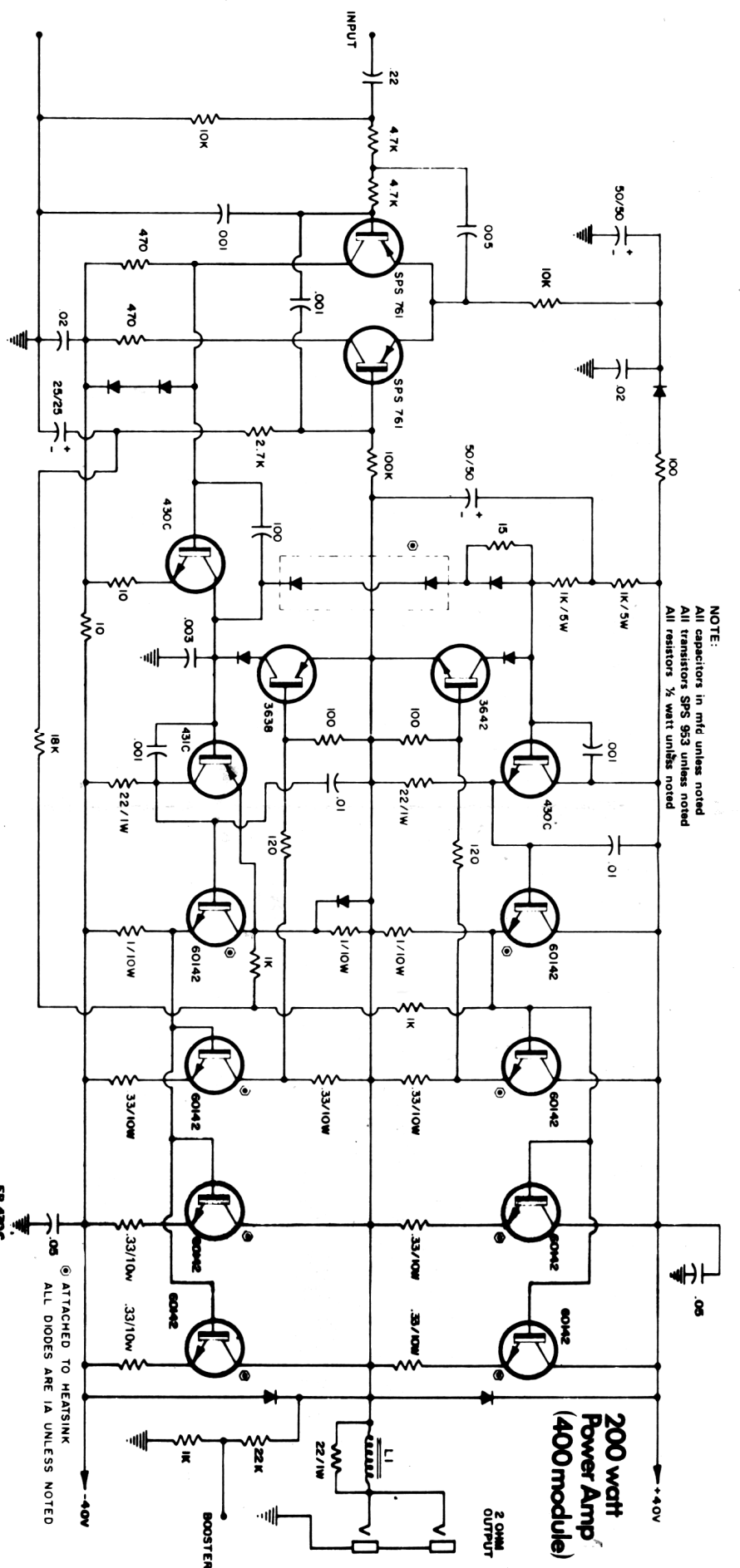
FUNCTIONAL DIAGRAMS OF PARALLEL & SERIES MODE





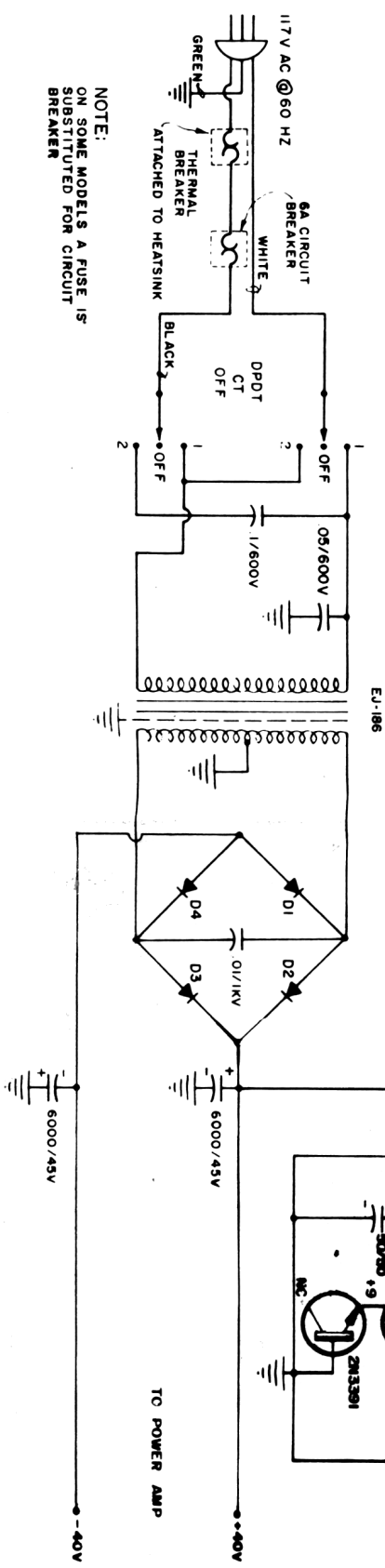
NOTE:
 ALL TRANSISTORS SPS 953 UNLESS NOTED
 ALL RESISTORS IN Ω UNLESS NOTED
 ALL CAPACITORS IN μ F UNLESS NOTED
 ALL DIODES 1A 200V PIV UNLESS NOTED
 ALL DIODES LABELED G INDICATES IN 34A
 NUMBERED CIRCLES DENOTE FEMALE
 FOOTSWITCH PIN NUMBERS

MUSICIAN
 (PRE AMP)



NOTE:
All capacitors in mfd unless noted
All transistors SPS 953 unless noted
All resistors 1/2 watt unless noted

Power Supply



NOTE:
ON SOME MODELS A FUSE IS
SUBSTITUTED FOR CIRCUIT
BREAKER