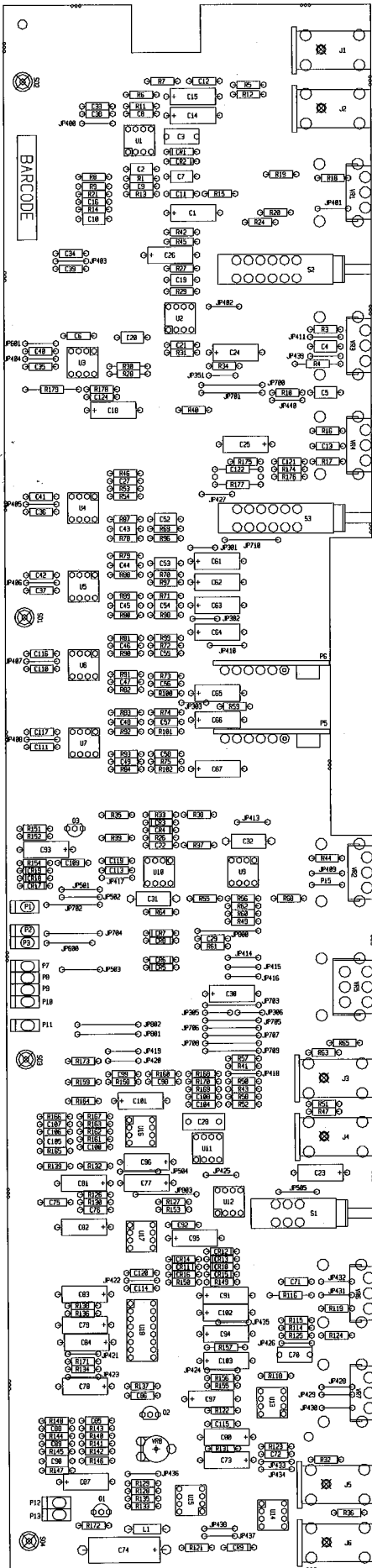


PART: ELECTRONICS CORP.  
 TITLE: TNT 1155  
 DESIGNED BY: [blank]  
 CHECKED BY: [blank]  
 DRAWN BY: [blank]  
 DATE: [blank]  
 SHEET: 1 OF 4

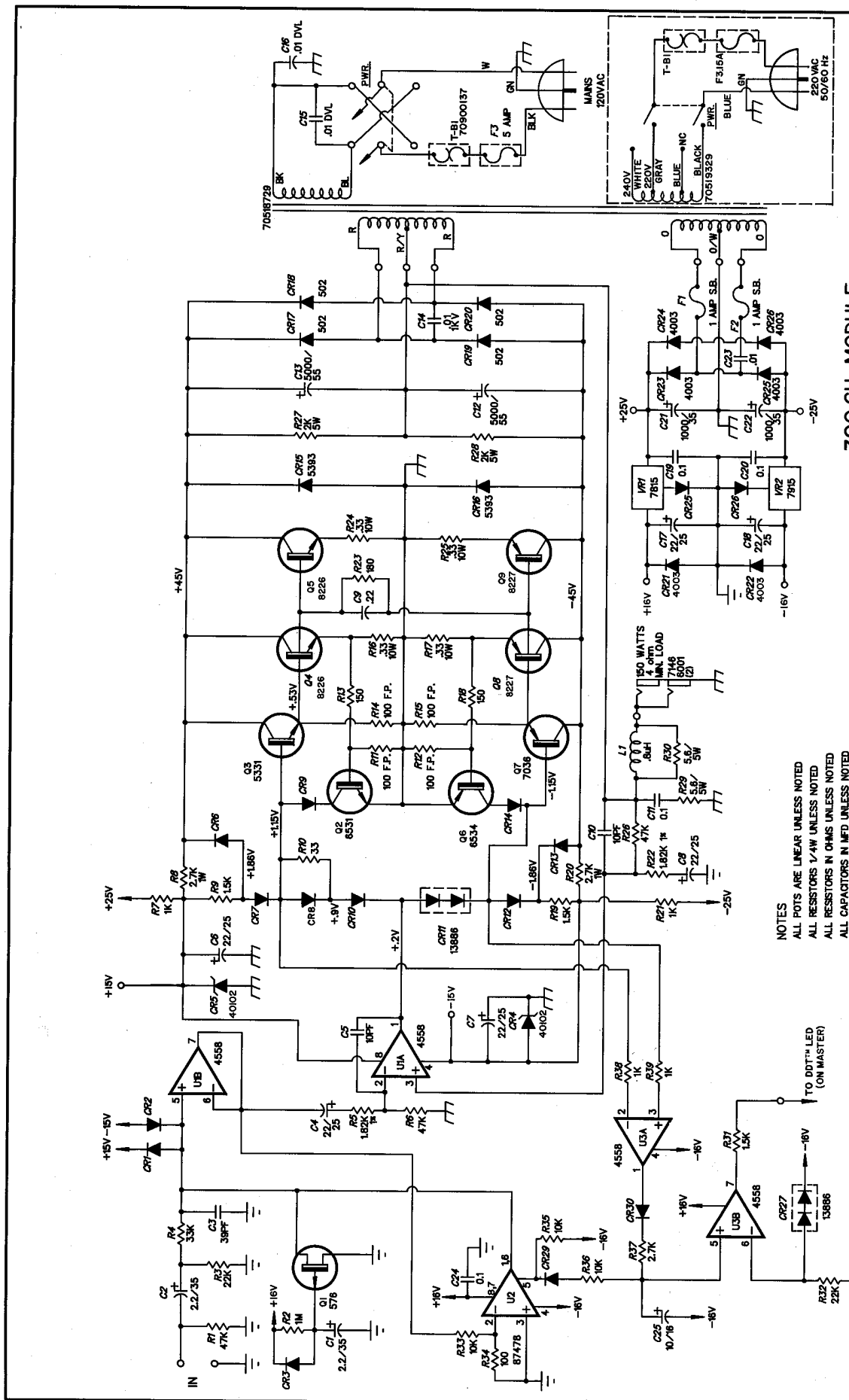
NOTES: THE COMPANY IS  
 NOT RESPONSIBLE FOR  
 REPRODUCTION OF THIS  
 DRAWING WITHOUT THE  
 WRITTEN PERMISSION OF  
 THE COMPANY. THE  
 COMPANY ASSUMES NO  
 LIABILITY FOR ANY  
 DAMAGES OR LOSSES  
 ARISING FROM THE USE  
 OF THIS DRAWING.

TNT 115 Sheffield







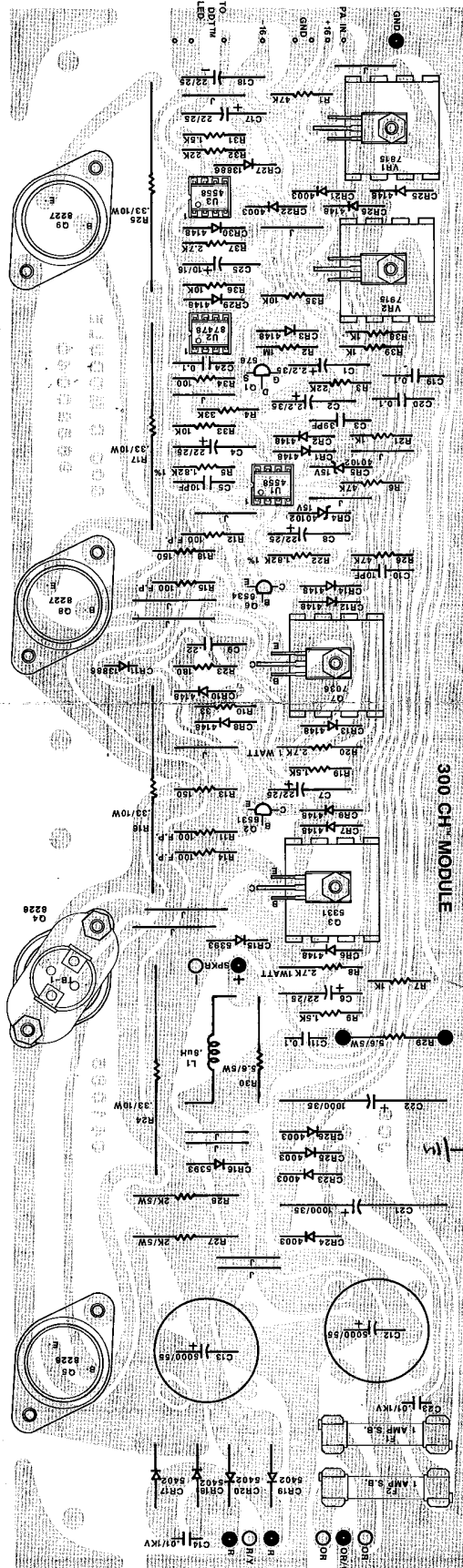


NOTES  
 ALL POTS ARE LINEAR UNLESS NOTED  
 ALL RESISTORS 1/4W UNLESS NOTED  
 ALL RESISTORS IN OHMS UNLESS NOTED  
 ALL CAPACITORS IN MFD UNLESS NOTED  
 ALL DIODES M4148 UNLESS NOTED  
 LAST REF. DESIGNATOR USED:  
 R22 CR26 C21 C9 F3 L1  
 BUILT UNDER U.S. PATENT NO. 4,318,053

**300 CH<sup>TM</sup> MODULE**  
 BD.# 988500-40 (4/10/85)

PEAVEY® ELECTRONICS CORP.
MERIDIAN, IN
DRAWN BY: <i>Jp</i> DATE: 9/7/84
C.B. CK. <i>Jp</i>
CHK BY: <i>JB</i>
APPR. BY: <i>JB</i>

P/N 81505175



300 CH  
MODULE

FOR N100  
TO TRANSFORMER