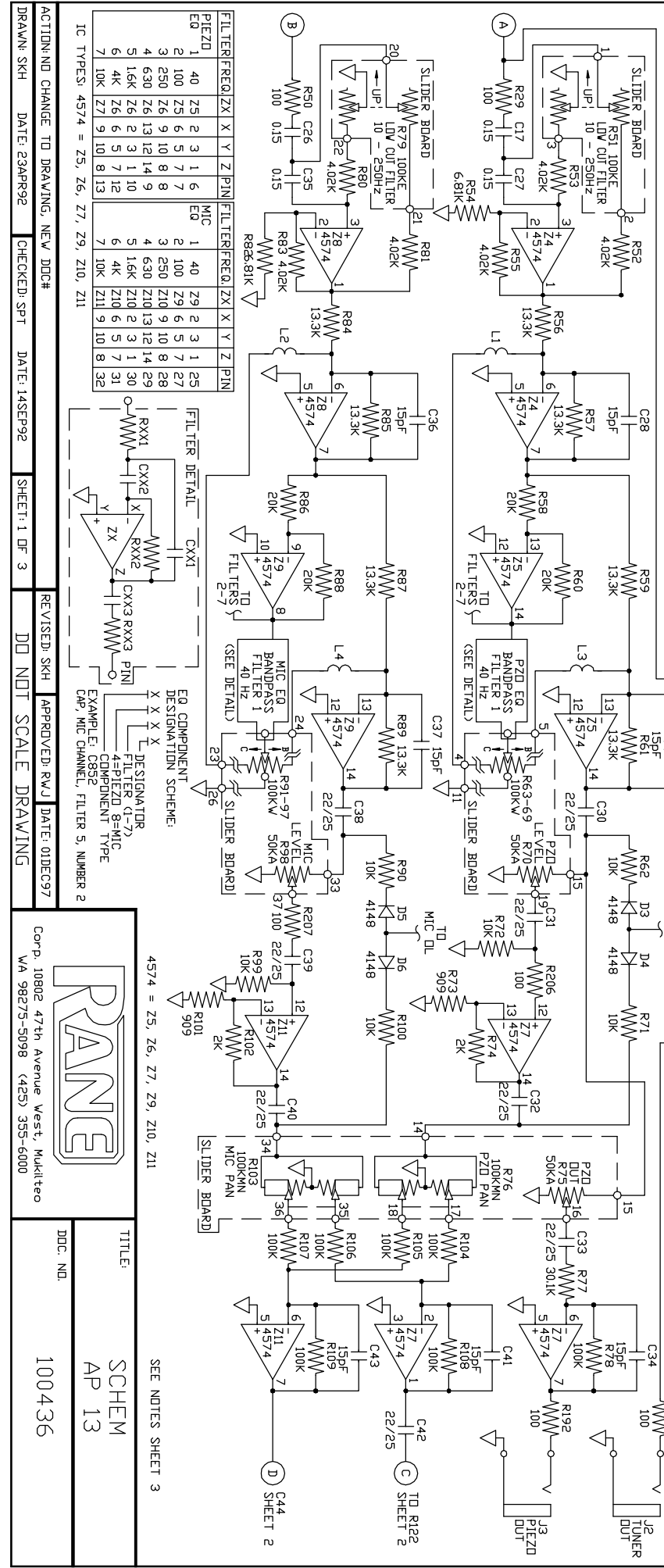
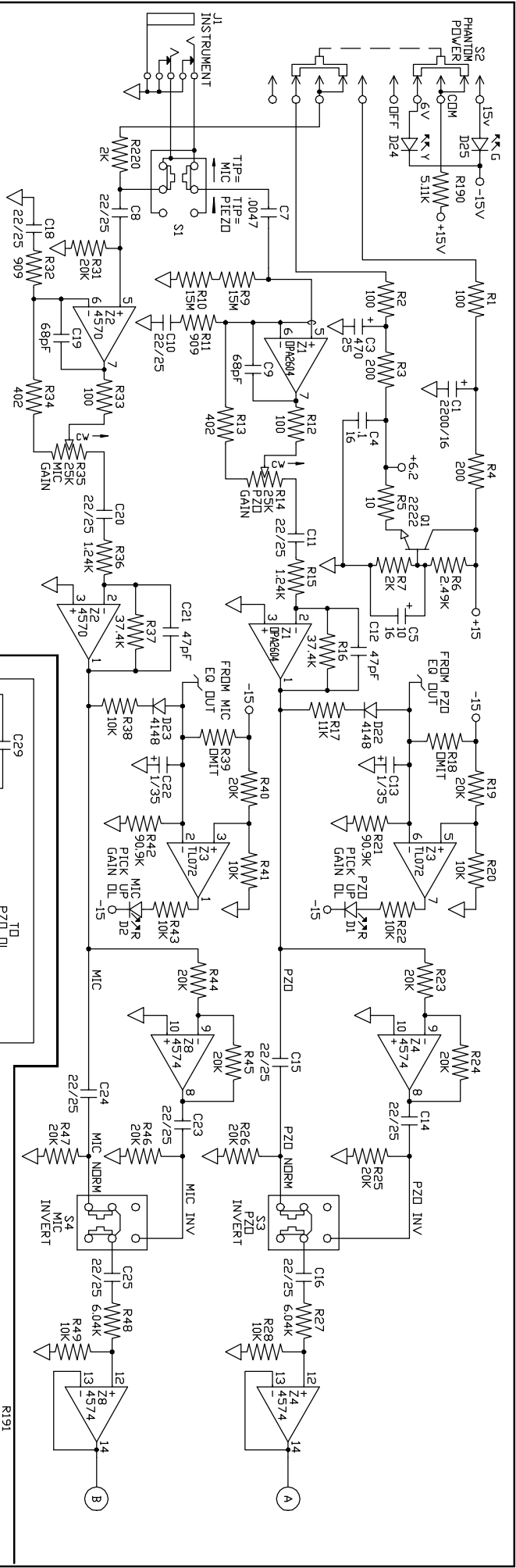
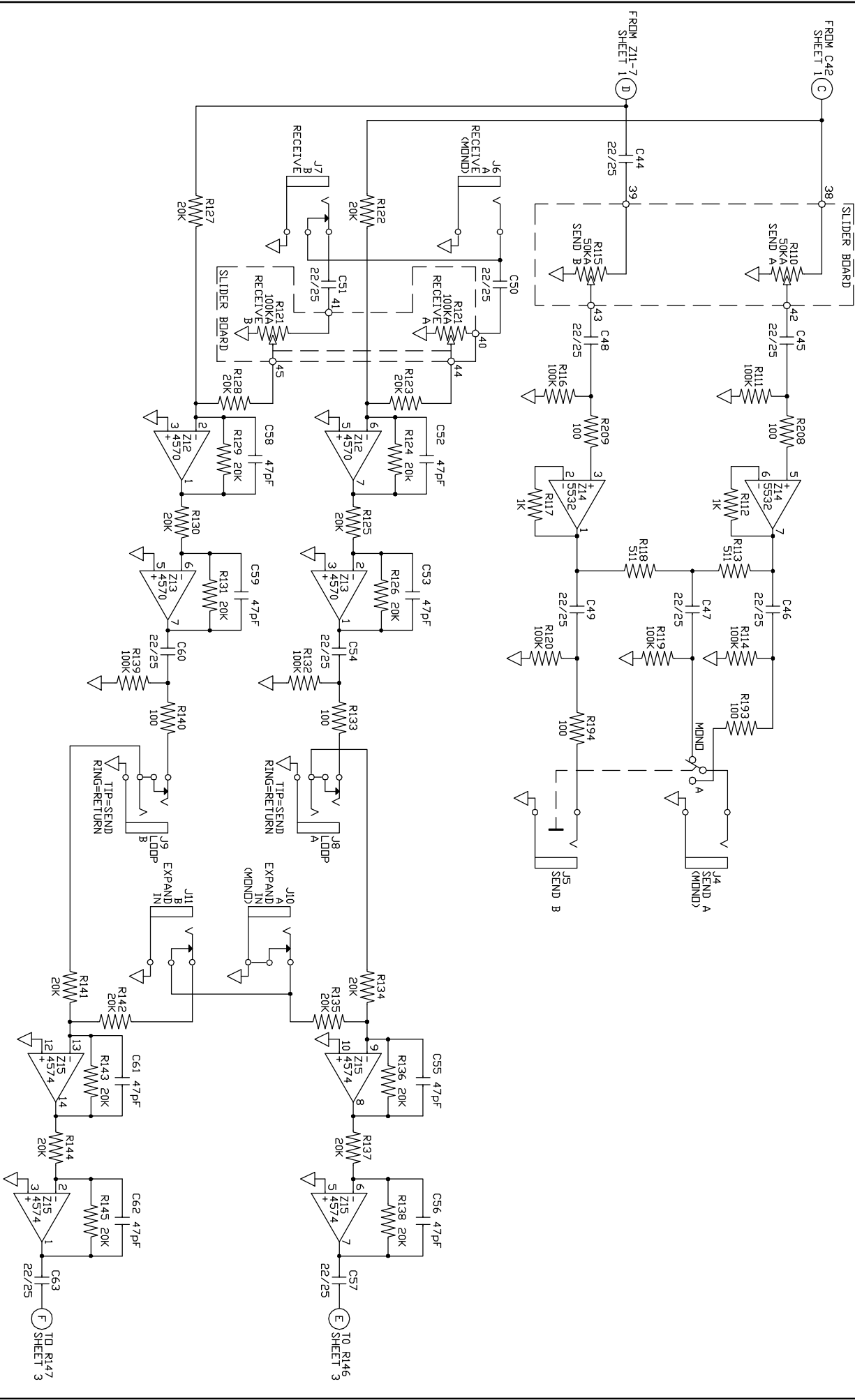


Rane Corp. (425)355-6000  
 100499 DES MAIN AP 13  
 ACTION: NO CHANGE TO PART, NEW DOC# SKH 01DEC97



ACTION: AND CHANGE TO DRAWING, NEW DDC#  
 DRAWN: SKH DATE: 23APR92 CHECKED: SPT DATE: 14SEP92 SHEET: 1 OF 3 REVISED: SKH APPROVED: RWJ DATE: 01DEC97  
 DO NOT SCALE DRAWING  
 Corp. 10802 47th Avenue West, Mukilteo WA 98275-5098 (425) 355-6000  
 DDC. NO. 100436  
 TITLE: SCHEM AP 13  
 SEE NOTES SHEET 3



SEE NOTES SHEET 3

ACTION: MD CHANGE TO DRAWING, NEW DDC#

DRAWN: SKH DATE: 23APR92 CHECKED: SPT DATE: 14SEP92 SHEET: 2 OF 3

REVISED: SKH APPROVED: RWJ DATE: 01DEC97

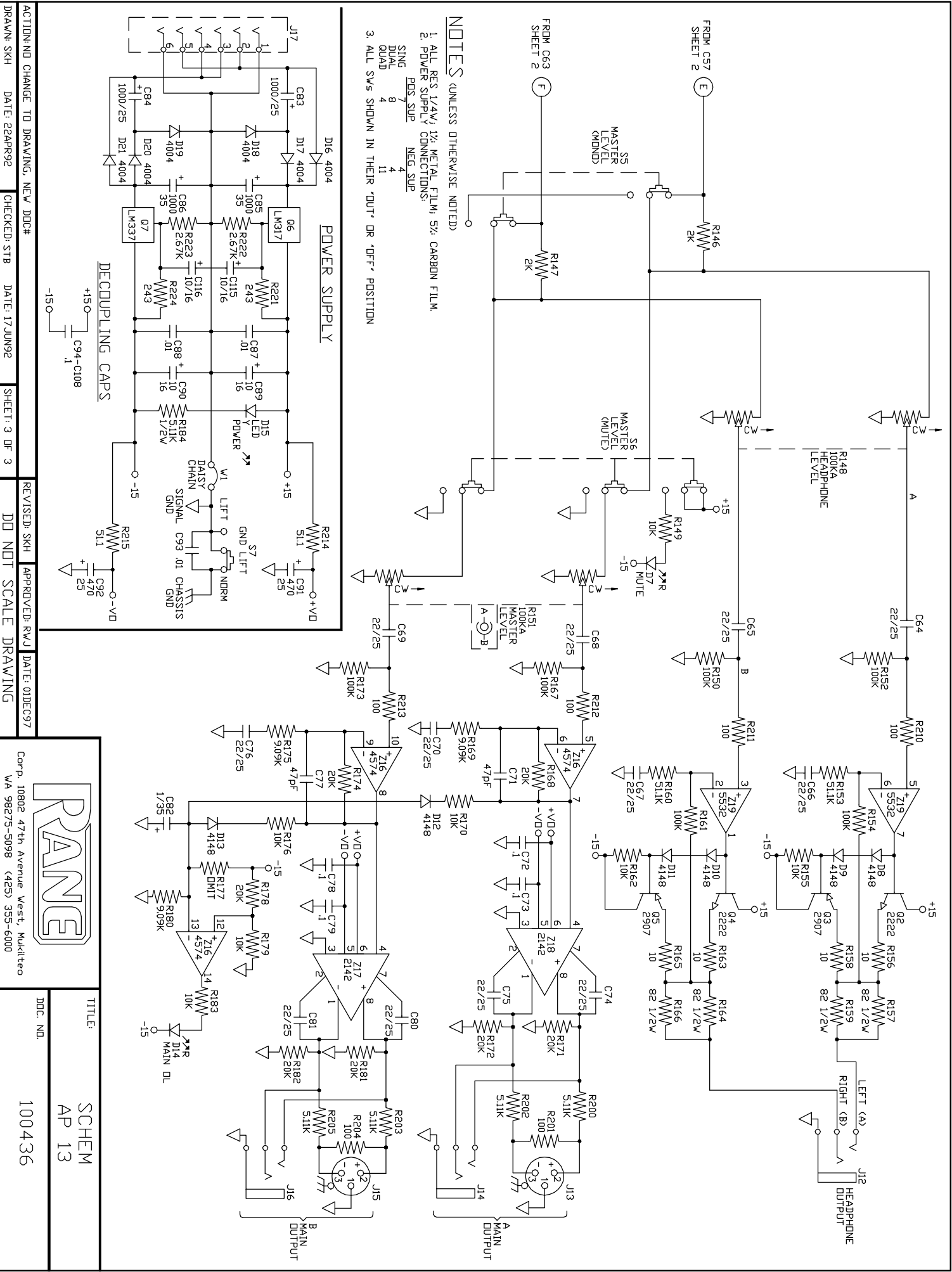
DD NOT SCALE DRAWING

Corp. 10802 47th Avenue West, Mukilteo  
WA 98275-5098 (425) 355-6000

**RANER**

DDC. NO. 100436

TITLE: SCHEM AP 13



NOTES (UNLESS OTHERWISE NOTED)

1. ALL RES 1/4W; 1% METAL FILM; 5% CARBON FILM.
2. POWER SUPPLY CONNECTIONS:

SING	8	4	4
DUAL	7	4	4
QUAD	4	11	11

3. ALL SVCS SHOWN IN THEIR 'OUT' OR 'OFF' POSITION

POWER SUPPLY

DECOUPLING CAPS

ACTION: NO CHANGE TO DRAWING, NEW DDC#

DRAWN: SKH DATE: 22APR92 CHECKED: STB DATE: 17JUN92 SHEET: 3 OF 3

REVISED: SKH DATE: 01DEC97 APPROVED: RALJ DATE: 01DEC97

DD NOT SCALE DRAWING

Corp. 10802 47th Avenue West, Mukilteo WA 98275-5098 (425) 355-6000

DDC. NO. 100436

TITLE: SCHEM AP 13