

- NOTES (UNLESS OTHERWISE SPECIFIED)**
- ALL RES 1% METAL FILM
 - POWER SUPPLY CONNECTIONS:
 - POS SUP
 - NEG SUP
 - ALL SVE SHOWN IN THEIR 'OUT' OR 'DIFF' POSITION WHERE INDICED BY \odot
 - CH. 1 SHOWN, CH. 2 IDENTICAL EXCEPT WHERE INDICED BY \odot
 - NO PREFIX = COMMON
 - PREFIX = CH. 1
 - PREFIX = CH. 2
 - PREFIX = LEFT STEREO
 - PREFIX = RIGHT STEREO
 - IC TYPES:
 - Z1 = 4570
 - Z2 = TL071
 - Z100, Z200 = 2017
 - Z101, Z201 = 4556
 - Z102, Z104, Z202, Z204 = TL074
 - Z103, Z105, Z203, Z205 = 4574
 - Z106, Z107, Z206, Z207, Z301, Z302, Z401, Z402 = 5534

ACTION AND CHANGE TO PART, NEW DDC#

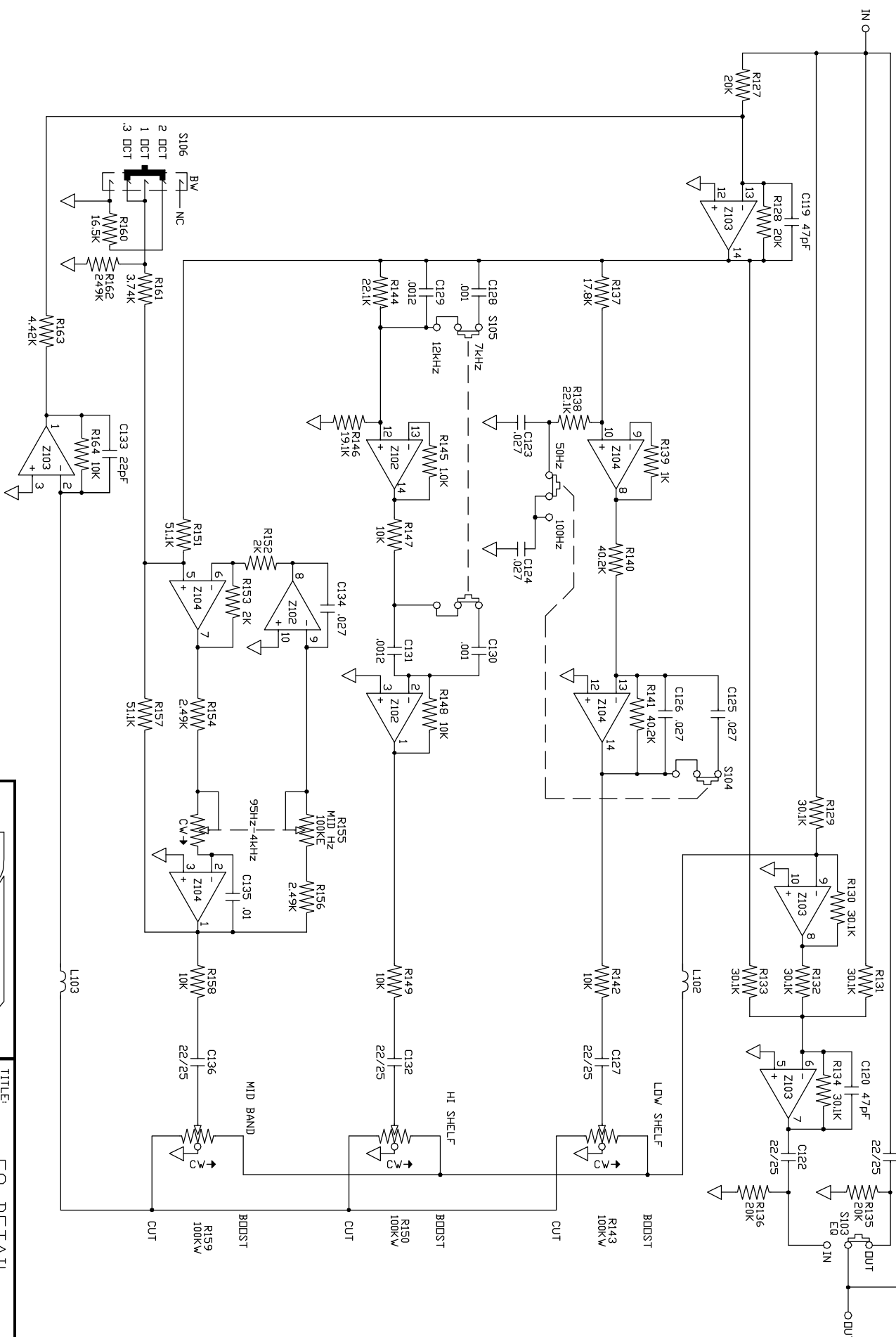
DRAWN: AVC DATE: 10FEB94 CHECKED: DB DATE: 10FEB94 SHEET: 1 OF 3 REVISED: SKH APPROVED: RWJ DATE: 03DEC97

DO NOT SCALE DRAWING

PANE
 Corp. 10802 47th Avenue West, Mukilteo
 WA 98275-5098 (425) 355-6000

TITLE: I/O DMS22
DDC. NO.: 100444

EQ DETAIL



SEE NOTES SHEET 1
U.S. PATENTS 4,891,841 & 5,046,105

ACTION: NO CHANGE TO PART, NEW DDC#	CHECKED: DB	DATE: 10FEB94	SHEET: 2 OF 3	REVISED: SKH	APPROVED: RWJ	DATE: 03DEC97
DRAWN: AVC	DATE: 10FEB94	CHECKED: DB	DATE: 10FEB94	SHEET: 2 OF 3	DD NOT SCALE DRAWING	

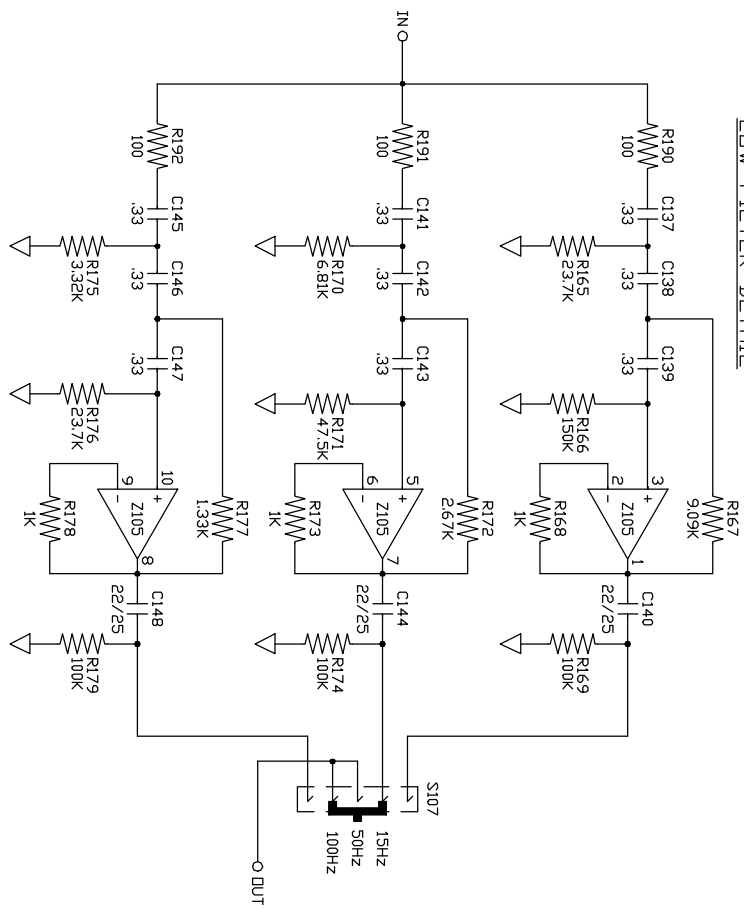


Corp. 10802 47th Avenue West, Mukilteo
VA 98275-5098 (425) 355-6000

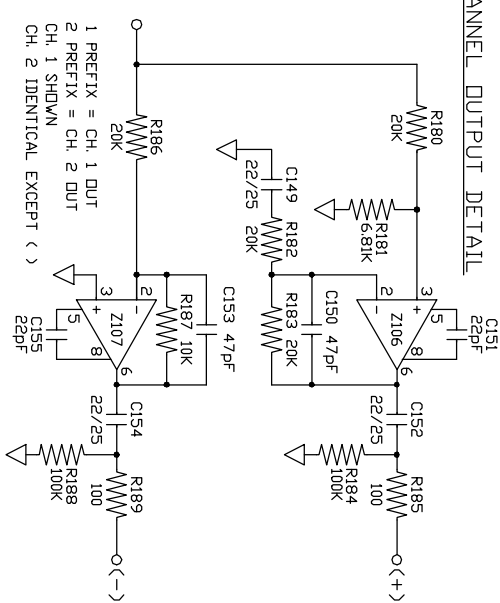
TITLE: EQ DETAIL
DMS22

DDC. NO. 100444

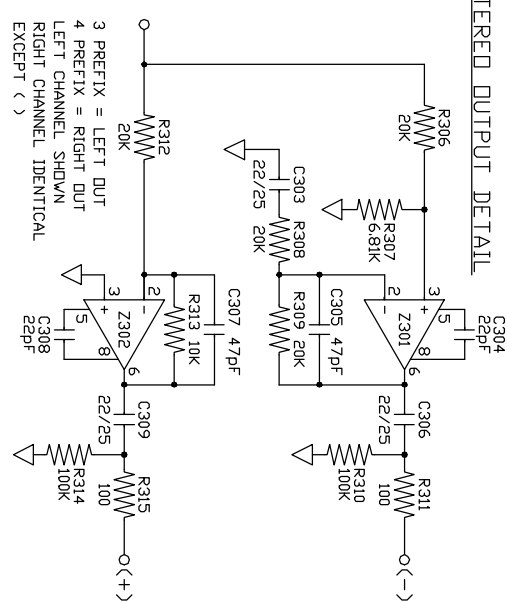
LOW FILTER DETAIL



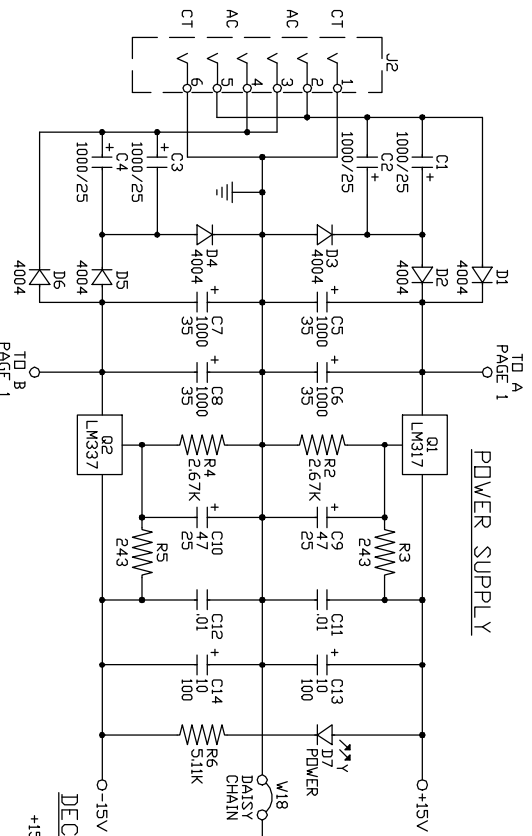
CHANNEL OUTPUT DETAIL



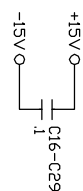
STEREO OUTPUT DETAIL




POWER SUPPLY



DECOUPLING CAPS



SEE NOTES SHEET 1



TITLE: SCHEMATIC DETAILS
 DMS22

DDC. NO. 100444

Corp. 10802 47th Avenue West, Mukit'eo
 WA 98275-5098 (425) 355-6000