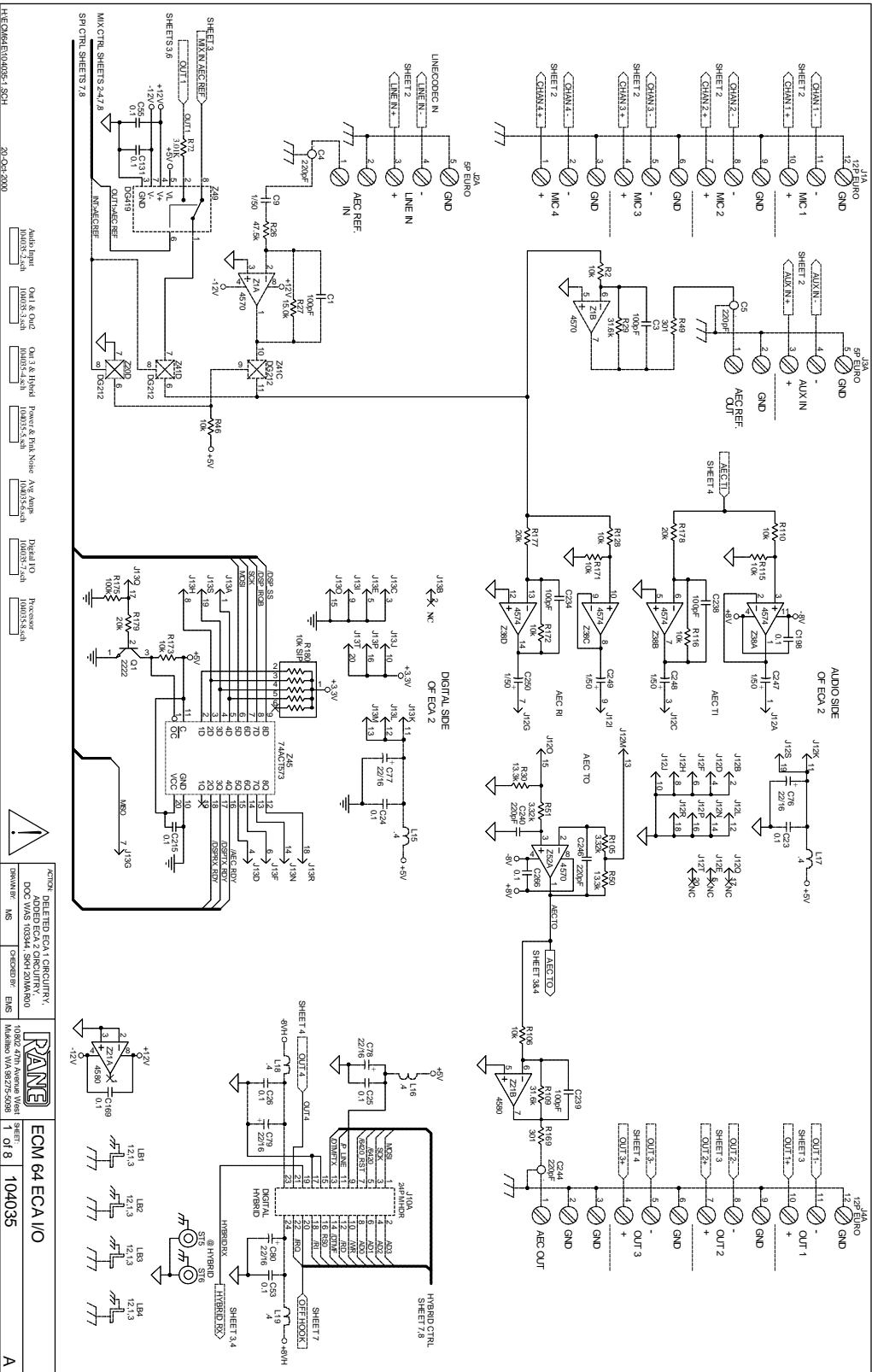


104587 SILKSCREEN ID GERBER SHEET 1 OF 4 ENCL4E (P/N 11860)



Rane Corp. (425)355-6000  
 104588 DES ECM 64e  
 ACTION: MOVED + SIGN FOR C255 RWJ 12DEC00



HECZK64EIO0081 SCH 28/04/2000

- Audio Input: DM155-234
- Out 1 & Out 2: DM155-234
- Out 3 & Hybrid: DM155-234
- Power & Bias Noise: DM155-234
- AVG AMP: DM155-234
- Digital IO: DM155-234
- Processor: DM155-234



ACORN DELETED ECA 1 CIRCUITRY  
 DRAWN BY: DDC VAS  
 CHECKED BY: MS  
 DATE: 10/02/2000  
 FILE: ECM64 SCH 28/04/2000

**PANE**  
 10802 47th Avenue West  
 Mapleton WA 98275-5088

ECM 64 ECA I/O  
 SHEET 1 OF 8  
 104035

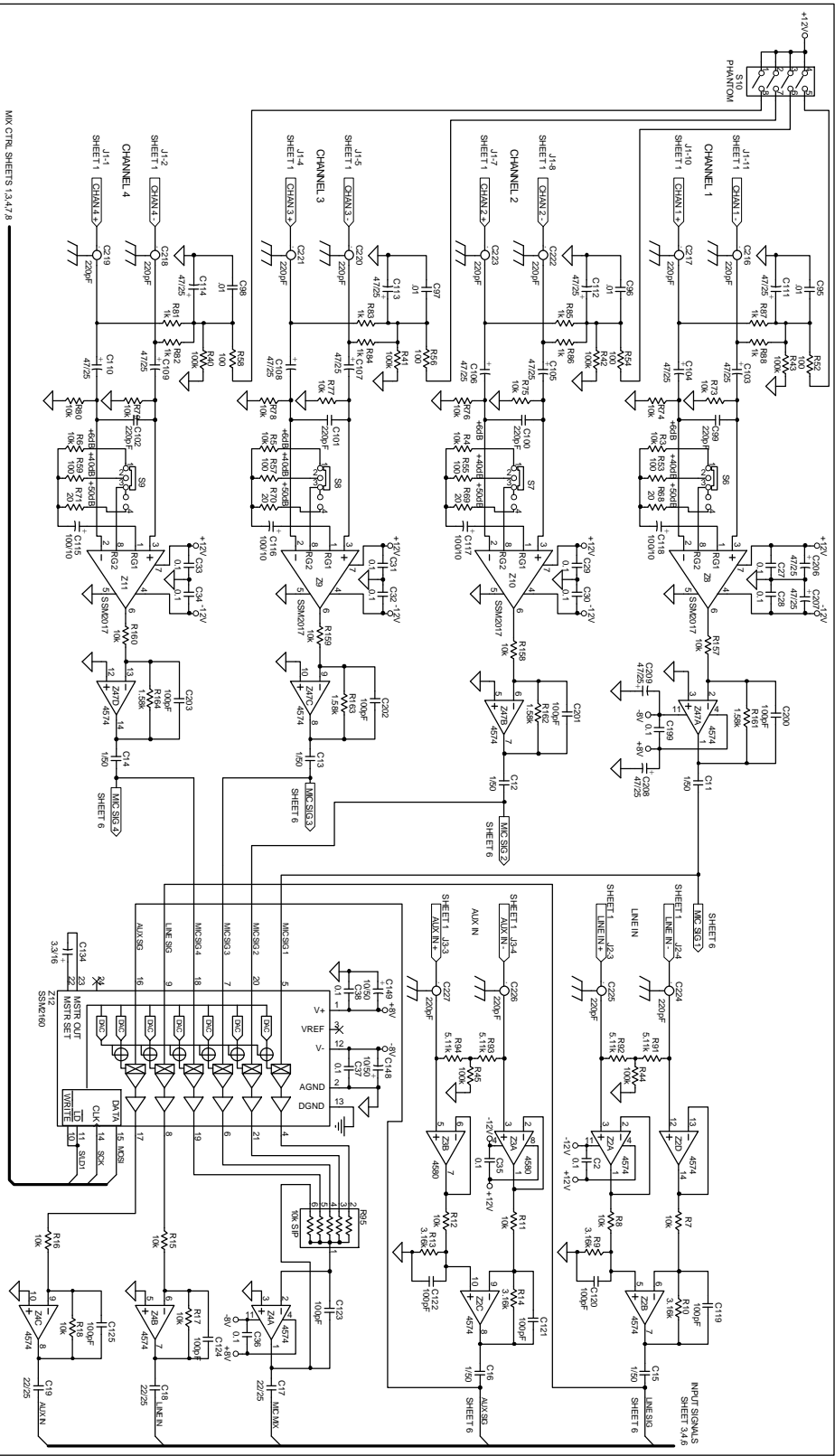
A



ACTON MOSI WAS LABELED MISO.  
DRAWN BY: MS  
CHECKED BY: EMS

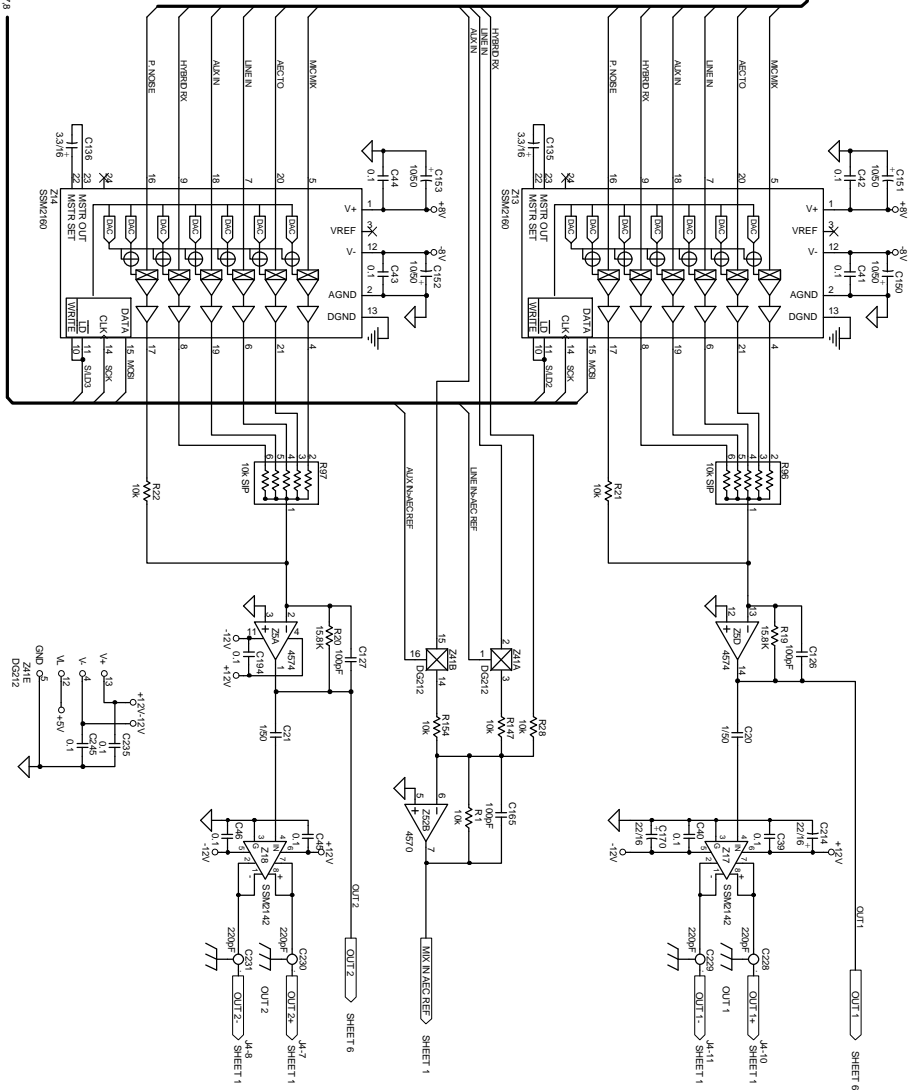
10802 47th Avenue West  
Maplewood WA 98275-5088

**PANE** ECM 64 AUDIO IN  
SHEET 2 of 8  
1040035



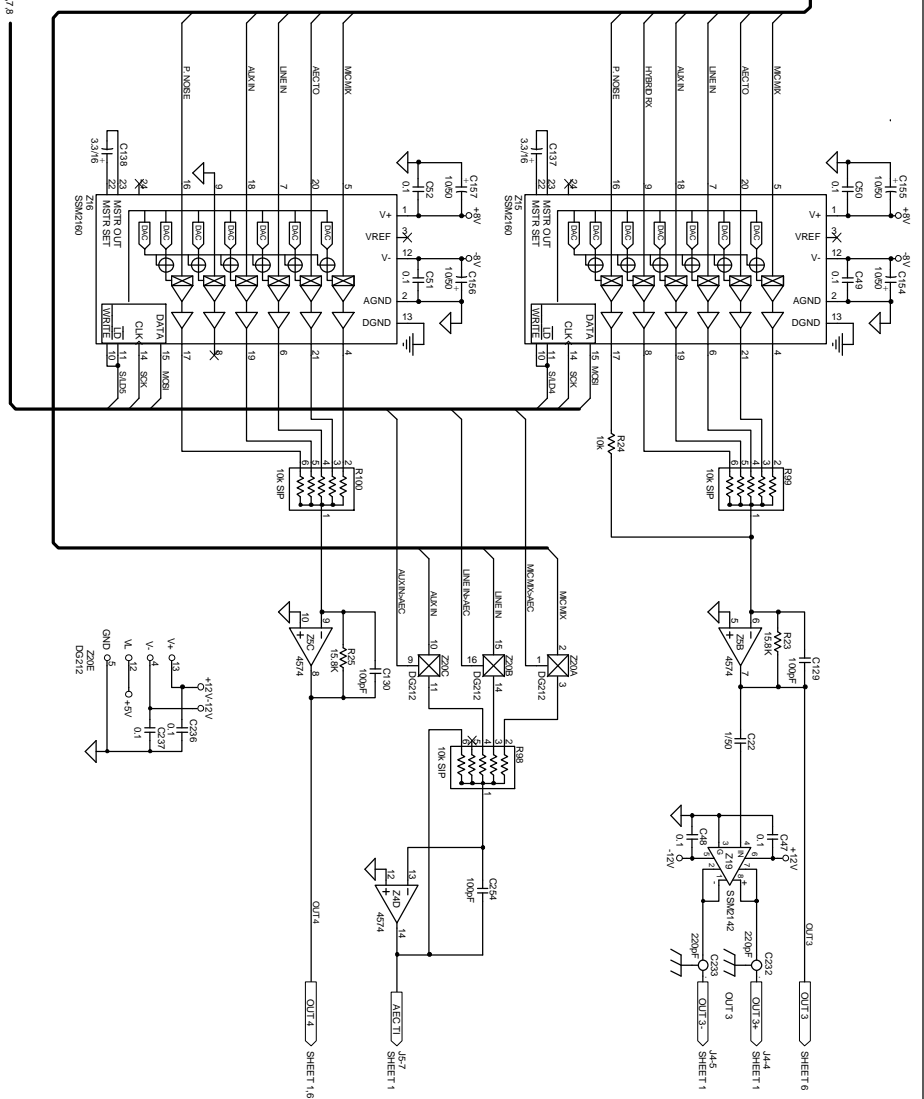
MK CTRL SHEETS 1,3,4,7,8

MX CTRL SHEETS 1,2,4,7,8



<p>ACON: MOSI WAS LABELED MISQ                  DDC VAS 103344 SPC420MAB00                  DRAWN BY: MS</p>	<p>CHECKED BY: EHS</p>	<p><b>PANE</b>                  10802 47th Avenue West                  Mukwonago, WI 53075-5088</p>	<p>SHEET 3 OF 8                  ECM 64 OUT 1/OUT 2                  104035</p>	<p>A</p>
--	------------------------	--	---	----------

MAX CTRL SHEETS 1,3,7,8



ACTOR MOSI VAS LABELED MISQ  
 DOC VAS 10304 SPC420MAB00  
 DRAWN BY MS CHECKED BY EHS

10802 47th Avenue West  
 Maplewood WA 98275-5088

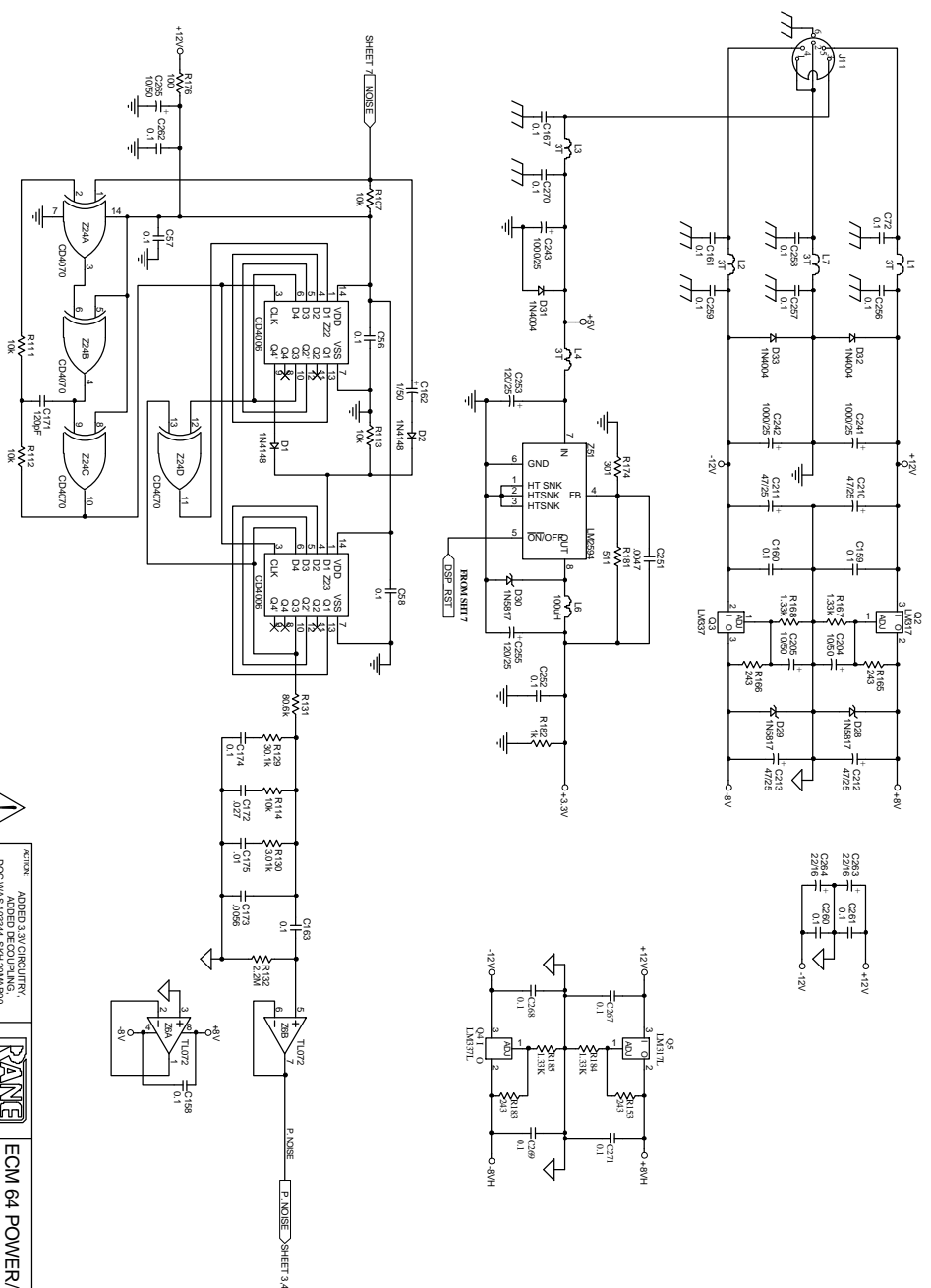
**PANE**  
 SHEET 4 OF 8  
 ECM 64 OUT 3/HYBRID  
 104035



ACORN ADDED 3.3V CIRCUITRY,  
DOC: VAS103P41 SCH1/20/MAN/0  
DRAWN BY: MAS  
CHECKED BY: EMS

**PANJE**  
10802 47th Avenue West  
Mankato, WA 98275-5088

ECM 64 POWER/PINK NOISE  
SHEET 5 of 8  
1040035



LRS  
12A3  
12A3

SHEET 3/4

P. NOISE









ACTRN SWAP MOSI & MISO LABELS  
DOC W/AS 10034H SM1200XRX0  
DRAWN BY: MS CHECKED BY: ENG

10802 47th Avenue West  
Maple Ridge, BC V2X 2N9  
Canada

**RAVE** ECM 64 PROCESSOR  
SHEET 8 of 8 104035

