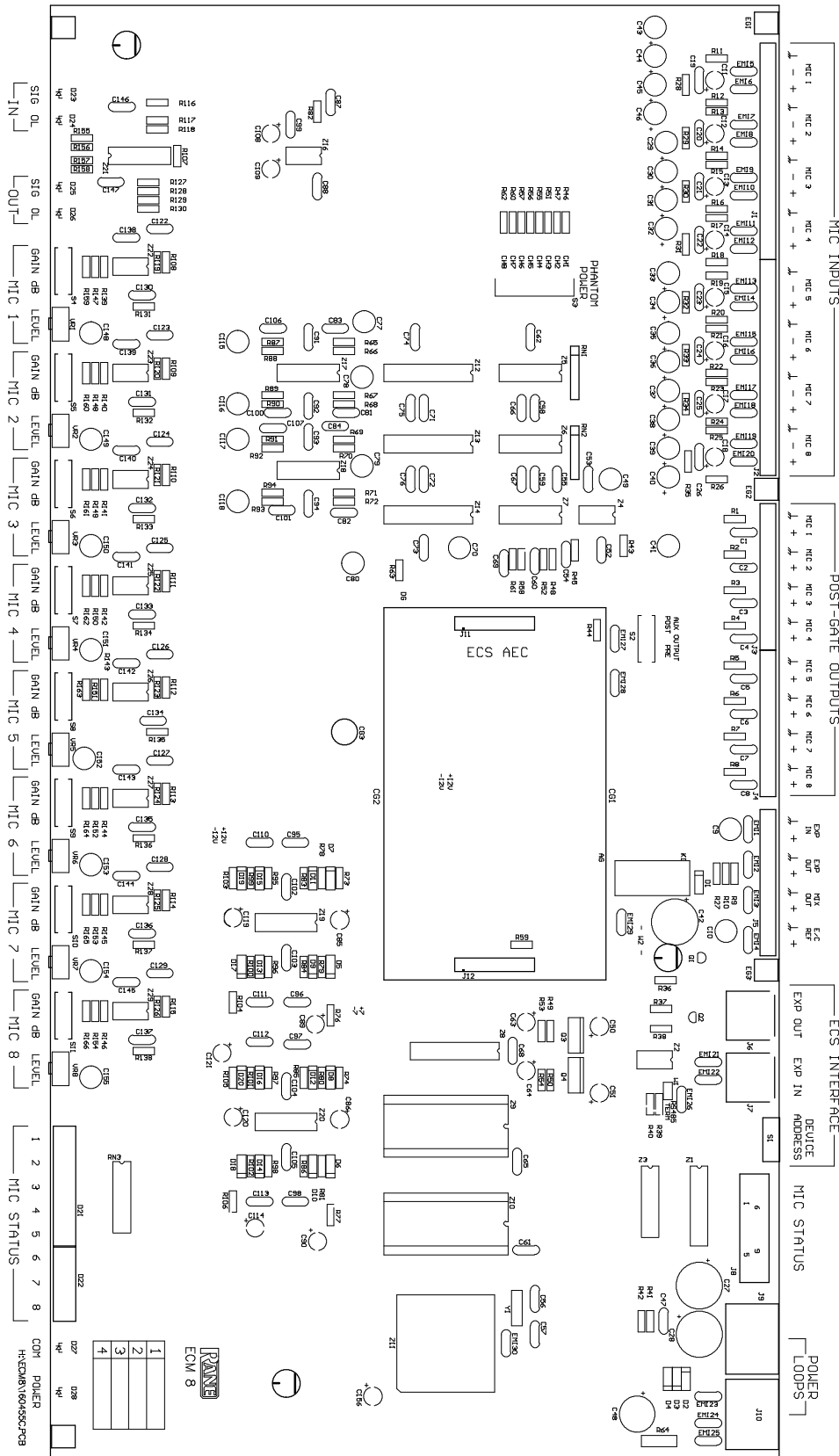
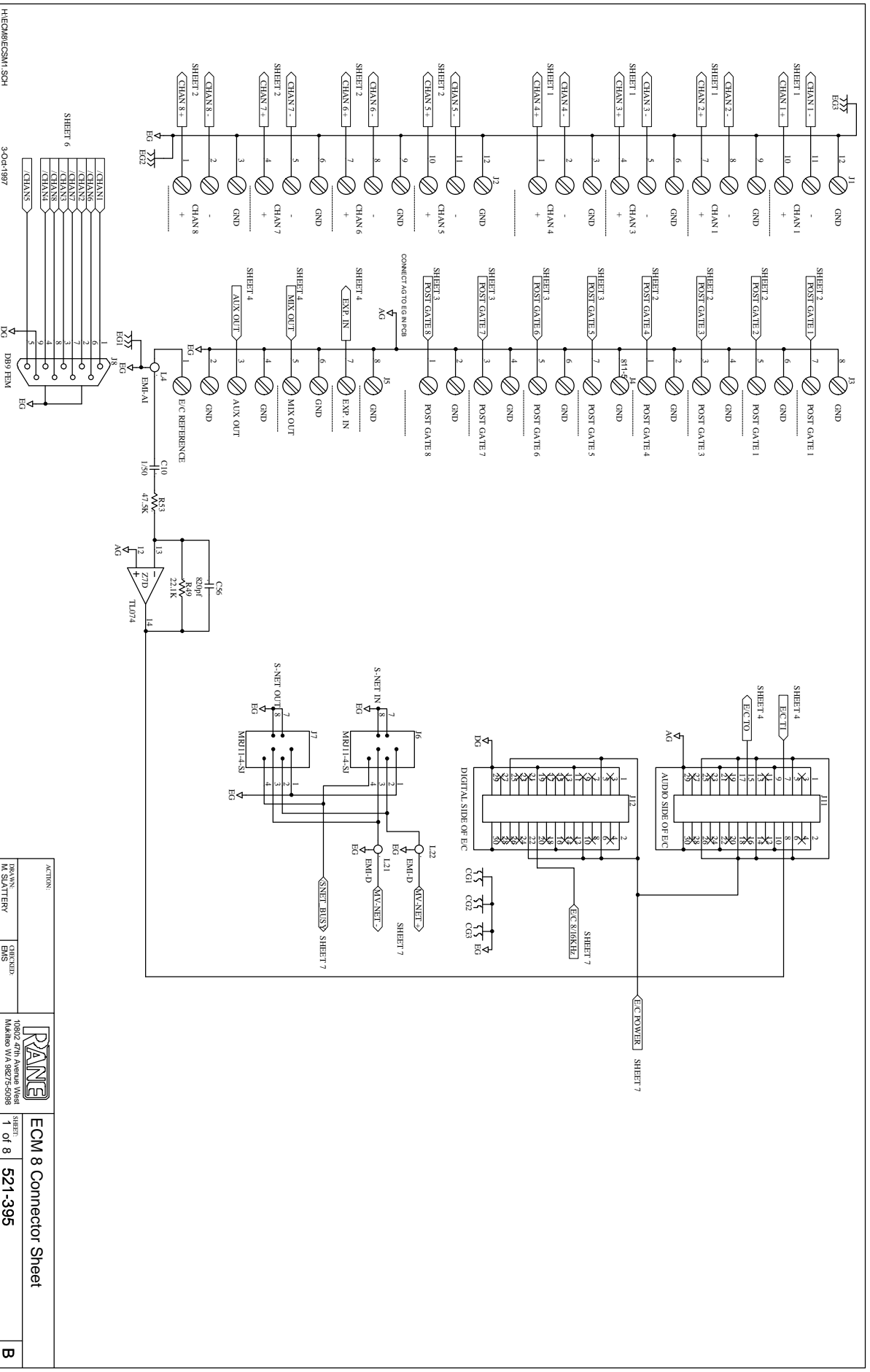


STATIC SENSITIVE



MKE SLATTERY 21-JUN-1997

522-318 REV B DESIGNATOR: ECM 8 ACTION: NEW PRODUCT

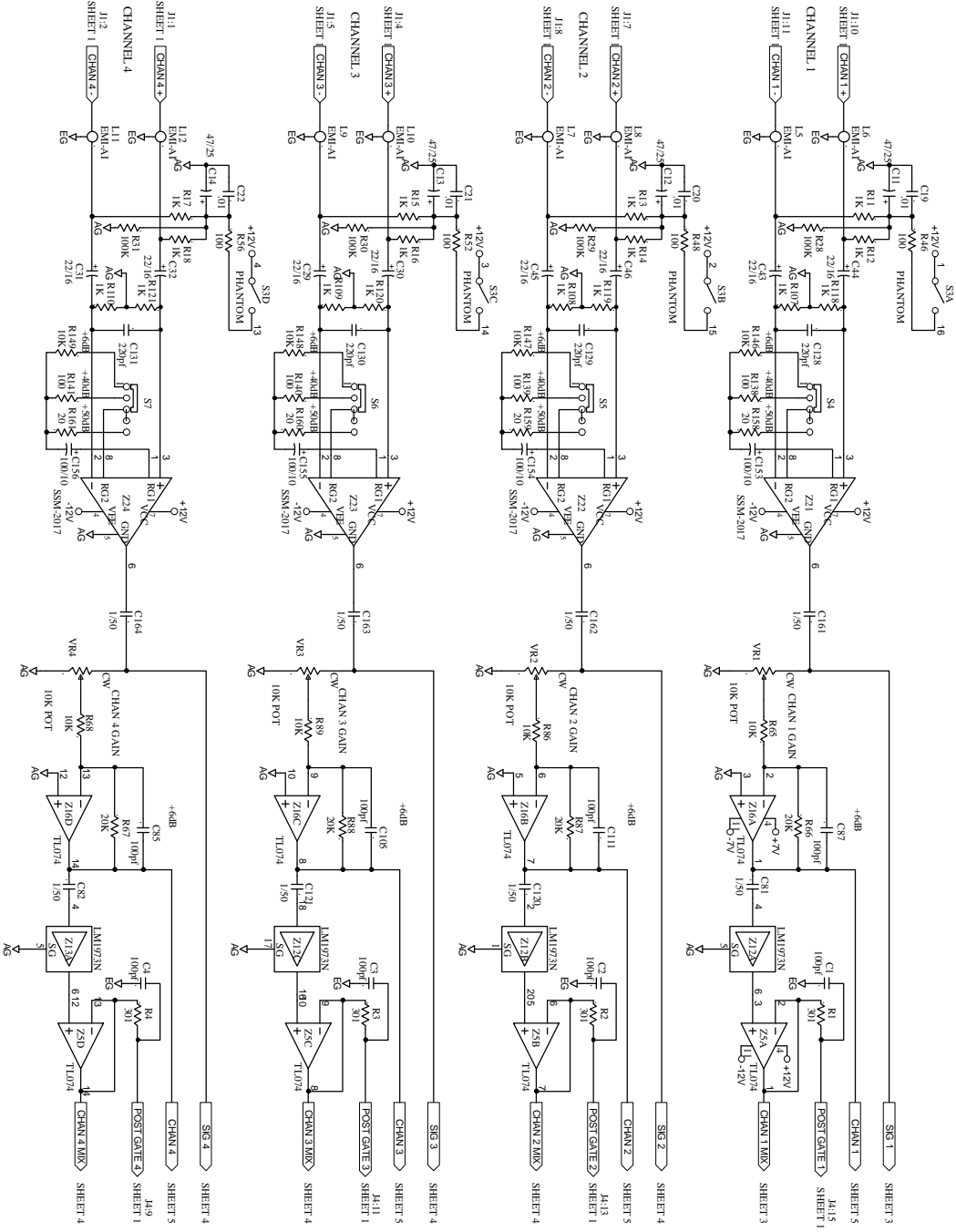


H:\E\CM\ECM1.SCH

3-04-1997

D99 FEM

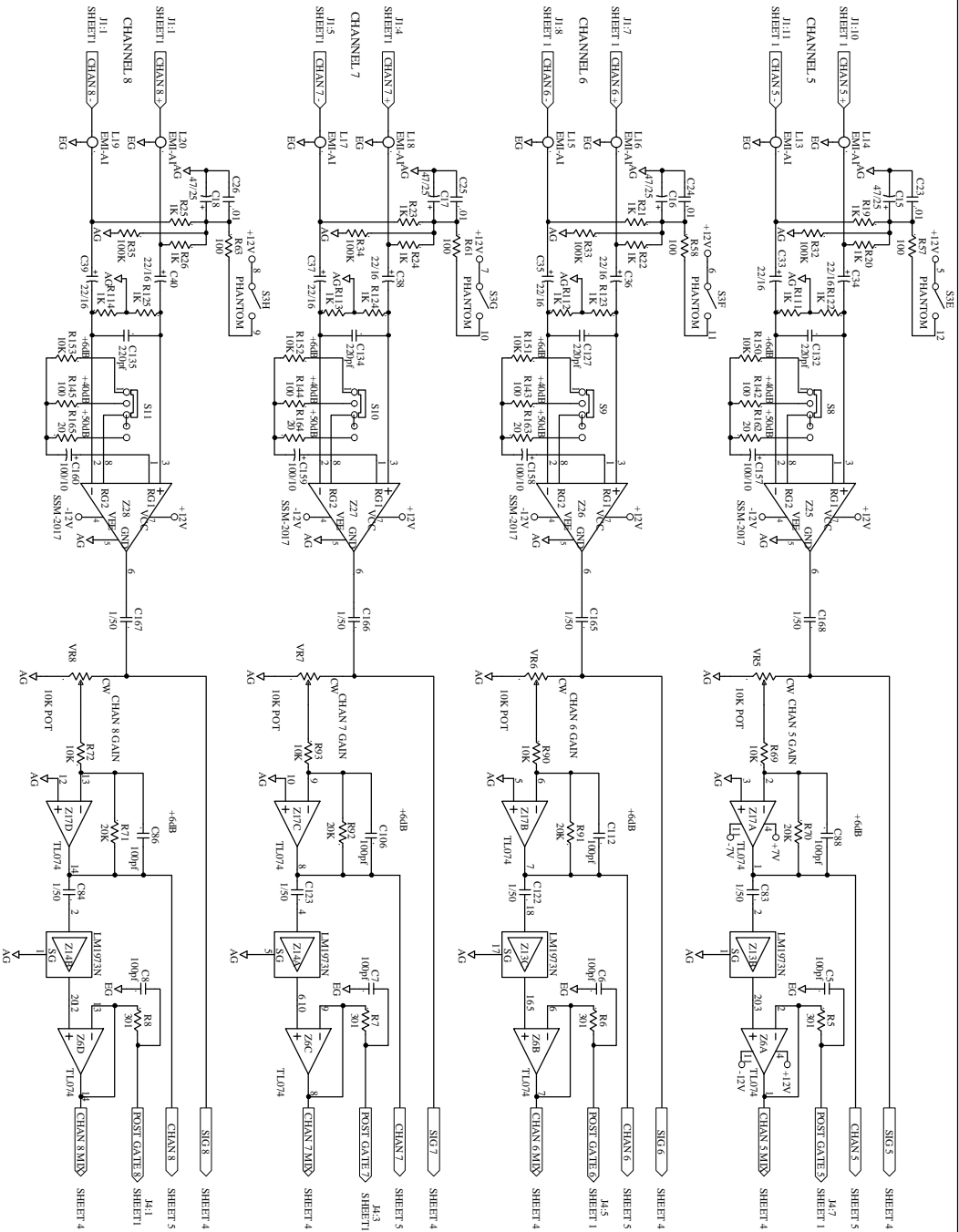
ACTION:			ECM 8 Connector Sheet
DESIGNED BY	DATE		
REVISED BY	DATE	RANE 10000 4th Street, Suite 100 Makino, VA 28725-5088	
REVISED BY	DATE	SHEET 1 OF 8	
REVISED BY	DATE	521-395	
REVISED BY	DATE	B	



ACTION:

DRAWN: R. SALTERY
 CHECKED: BRS
 DATE: 04/08/97
 PROJECT: ECM 8 Channels 1-4
 SHEET: 2 of 8
 PART: 521-396

PCB
 PCB MANUFACTURING
 10000 WILSON AVENUE
 MARIETTA, GA 30067
 PHONE: 770-972-9899
 FAX: 770-972-5088



ACTION:

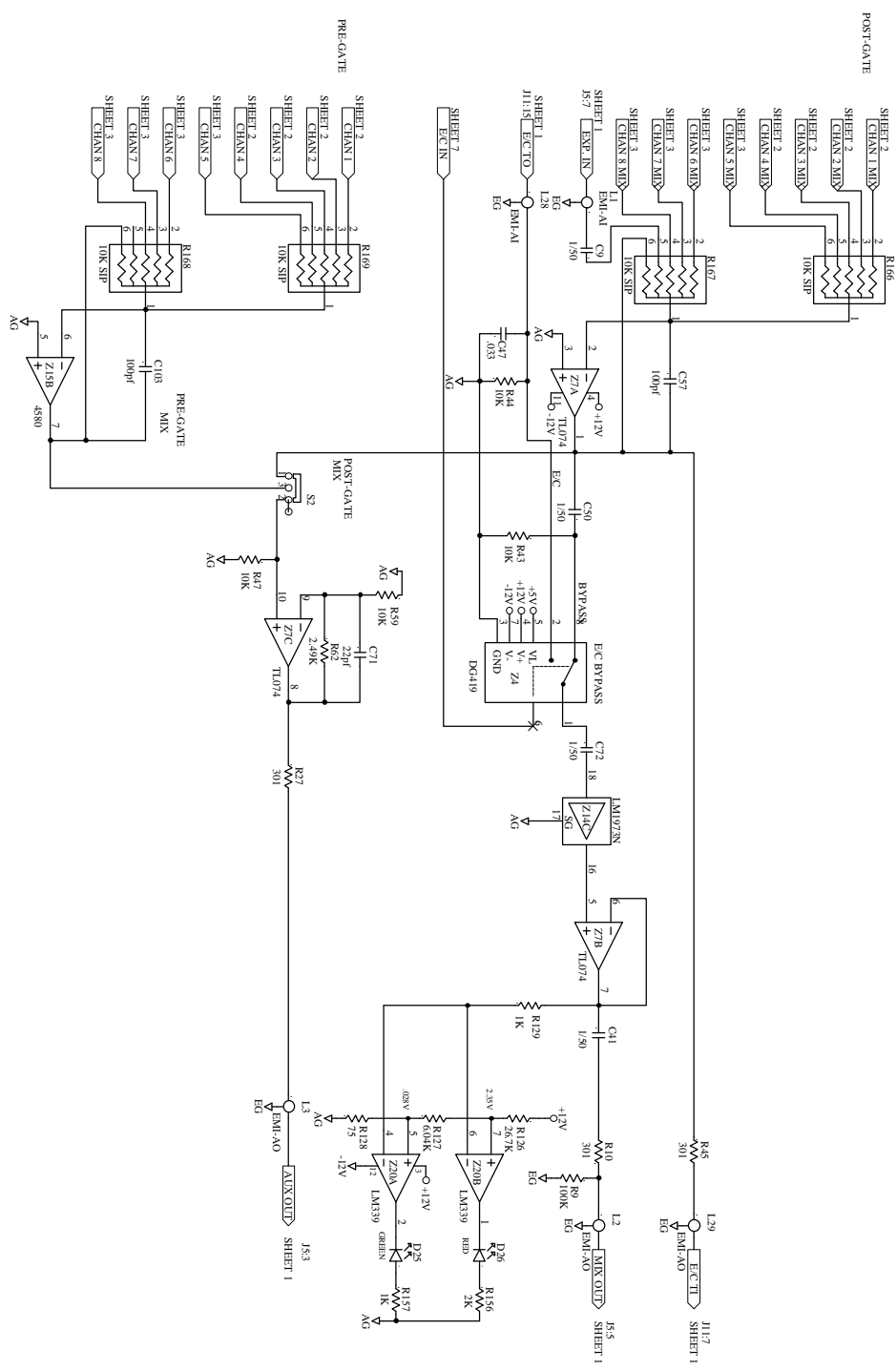
DRAWN: [Signature]
 CHECKED: [Signature]
 EBS
 REVISION: [Signature]
 MADE IN: [Signature]
 Makrom V.A. 98275-5098



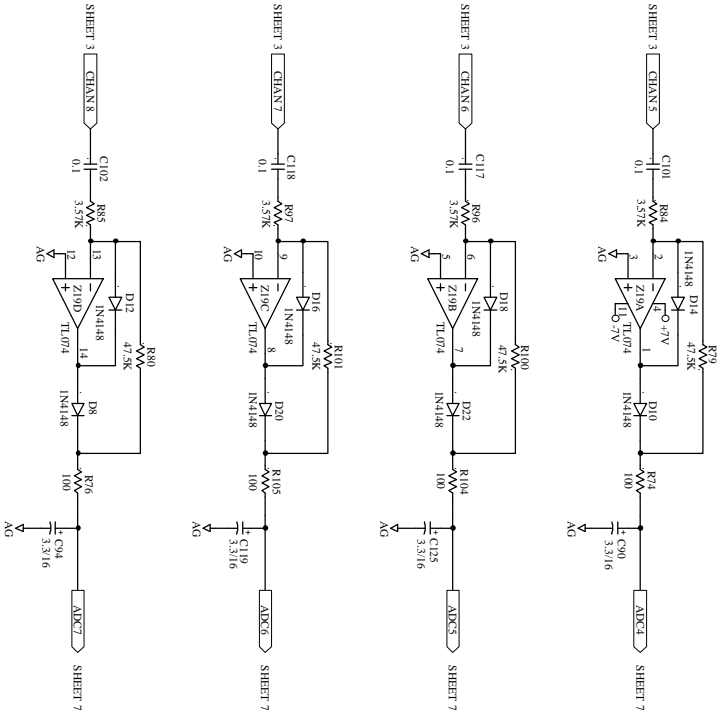
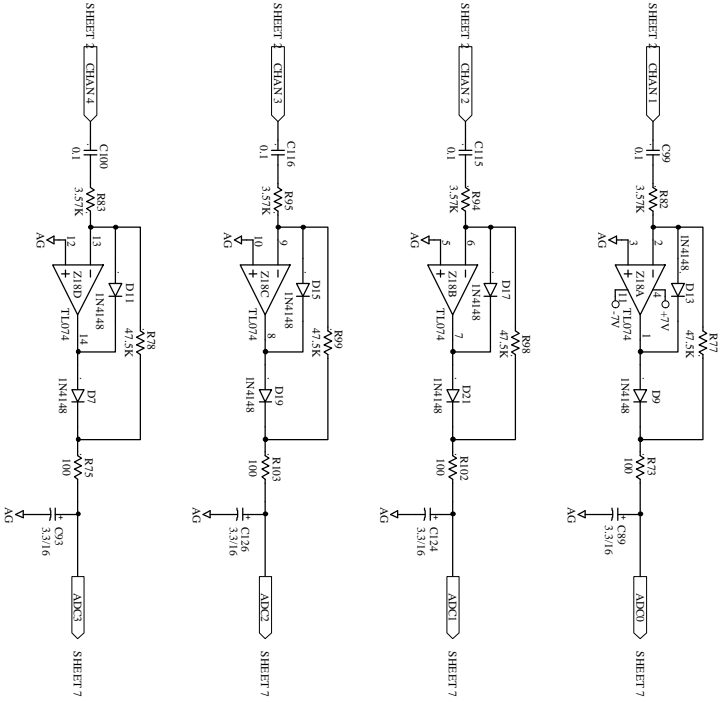
ECM 8 Channels 5-8

SHEET 3 of 8 521-397

B



ACTION:			ECM 8 E/C, MIX & AUX OUT
IRRAWAN	CHICHOED		
M. SALTERY	BMS	PT. PANTE Jl. Raya Kuningan Makmur, V.A. 80275-5098	SHEET 4 of 8
			521-398
			B

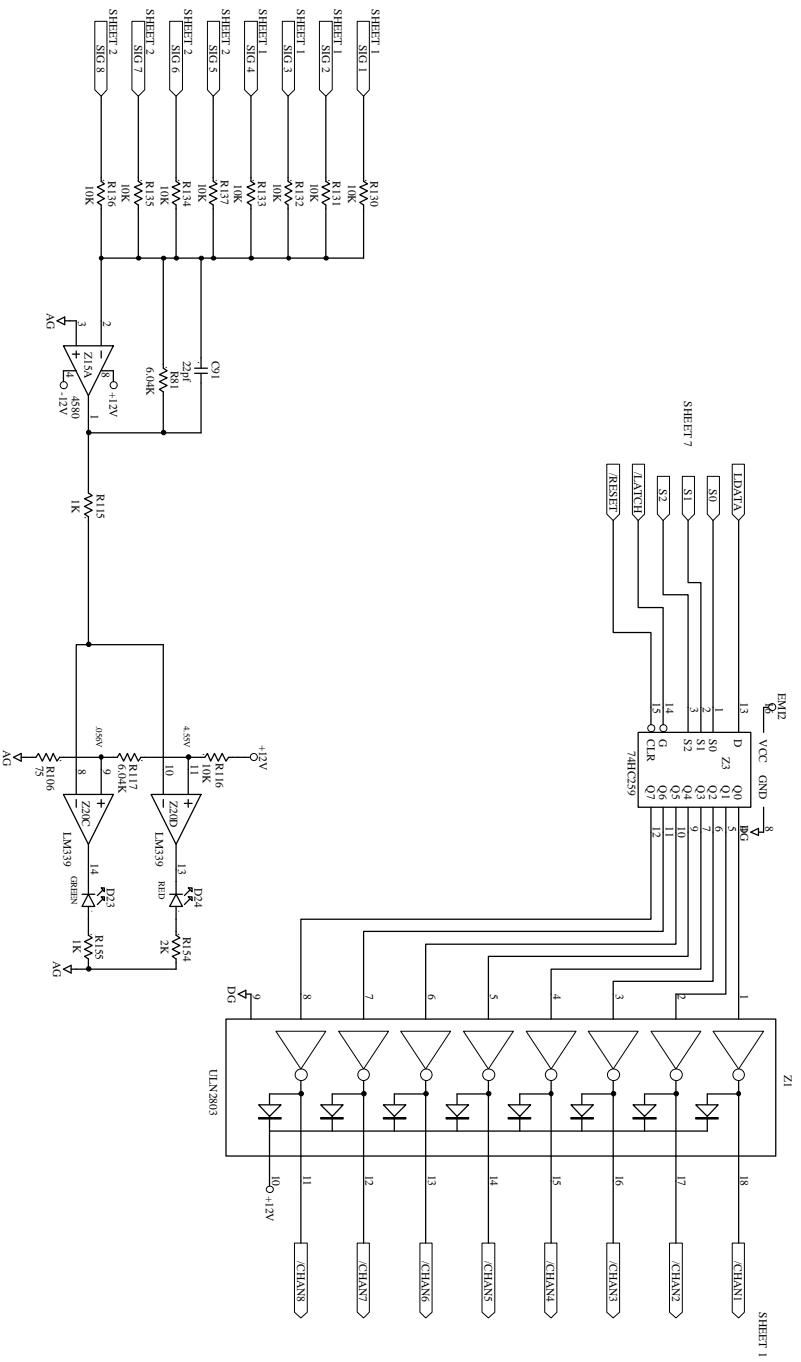


ACTION:

REVISED BY: M. SLATTERY



ECM 8 AVG AMPS C1-C8



H:\E\CM\ECM8.SCH
3-04-1997

ACTION:			ECM 8 Status Latch & In Display
IRMAN	CHK/CRD		
M. SLATTERY	BMS	10000 Ave. Richmond Blvd. Markham, V.A. 98275-5098	SHEET 8 of 8
			521-400
			B

