

REVISIONS		REV. H	ACTION	CHANGED 5% RESISTORS TO 1%. MODIFIED NOTE #1	DATE	06JAN95	APPROVED	AVC
DRAWN		S. TURNIDGE	DATE	16AUG89	CHECKED	A. CLAXTON	DATE	31AUG89
SHEET		1		OF	2		DO NOT SCALE DRAWING	

Corp. 10802 47th Avenue West, Mukitoo
WA 98275-5098 (206) 355-6000

TITLE

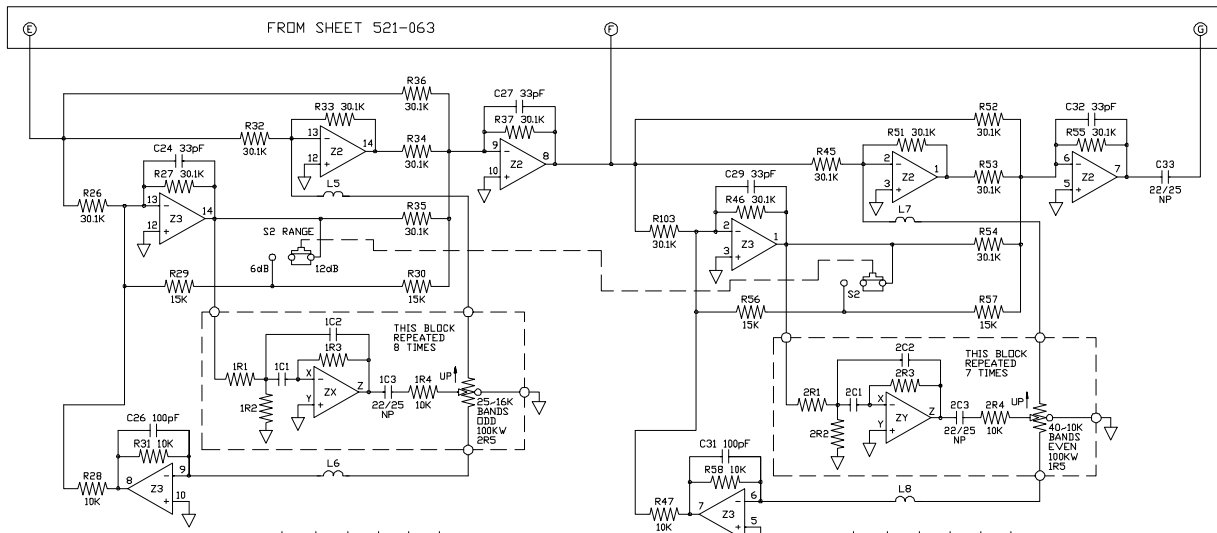
FME 15
SCHEMATIC I/O

DRW. NO.

521-063

REV.

H



PREFIX	FREQ	ZX	X	Y	Z
1	25	Z5	13	12	14
3	63	Z5	2	3	1
5	160	Z6	9	10	8
7	400	Z6	2	3	1
9	1K	Z6	9	10	8
11	2.5K	Z7	9	10	8
13	6.3K	Z7	2	3	1
15	16K	Z8	2	3	1

PREFIX	FREQ	ZY	X	Y	Z
2	40	Z5	9	10	8
4	100	Z6	13	12	14
6	250	Z6	6	5	7
8	630	Z6	6	5	7
10	1.6K	Z8	13	12	14
12	4K	Z7	13	12	14
14	10K	Z7	6	5	7

REVISIONS		REV. C	ACTION	CHANGED RANGE SWITCH TO MATCH PCB	DATE	18APR90	APPROVED	AVC
DRAWN		S. TURNIDGE	DATE	16AUG89	CHECKED	A. CLAXTON	DATE	31AUG89
SHEET		2		OF	2		DO NOT SCALE DRAWING	

Corp. 10802 47th Avenue West, Everett
WA 98204-3400 (206) 355-6000

TITLE

FME 15
DETAILS

DRW. NO.

521-064

REV.

C

U.S. PATENT 4,891,841