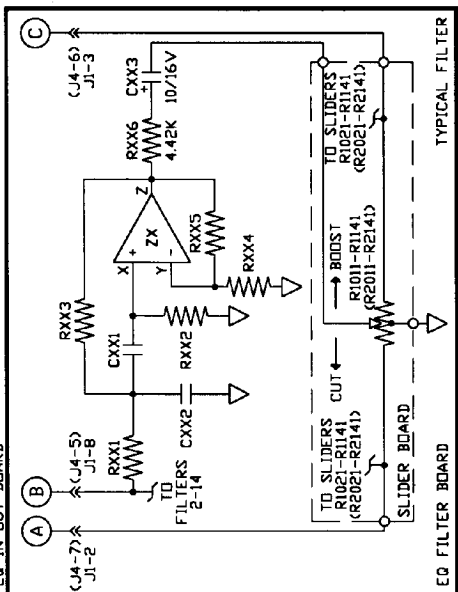


EQ FILTER BOARD ZX CONNECTION TABLE

FILTER	FREQ	ZX	X	Y	Z
1	40	Z5	10	9	8
2	63	Z5	3	2	1
3	100	Z5	12	13	14
4	150	Z5	5	6	7
5	250	Z6	10	9	8
6	400	Z6	3	2	1
7	630	Z6	12	13	14
8	1K	Z6	5	6	7
9	1.6K	Z7	10	9	8
10	2.5K	Z7	3	2	1
11	4K	Z7	12	13	14
12	6.3K	Z7	5	6	7
13	10K	Z8	10	9	8
14	16K	Z8	12	13	14

FILTER	FREQ	ZX	X	Y	Z
1	40	Z8	3	2	1
2	63	Z8	5	6	7
3	100	Z9	10	9	8
4	150	Z9	3	2	1
5	250	Z9	12	13	14
6	400	Z9	5	6	7
7	630	Z10	10	9	8
8	1K	Z10	3	2	1
9	1.6K	Z10	12	13	14
10	2.5K	Z10	5	6	7
11	4K	Z11	10	9	8
12	6.3K	Z11	3	2	1
13	10K	Z11	12	13	14
14	16K	Z11	5	6	7



NOTES (UNLESS OTHERWISE NOTED)

- ALL RESISTORS 1/4W, 1% METAL FILM.
- ALL CAPS 100V POLY, 1% METAL FILM.
- POWER SUPPLY CONNECTIONS: POS. SUP NEG. SUP
- ALL SW'S SHOWN IN THEIR 'OUT' OR 'OFF' POSITION
- EXCEPT Z1, Z2, Z3, Z4, Z5, Z6, Z7, Z8, Z9, Z10, Z11, Z12, Z13, Z14
- FILTER DESIGNATION SCHEME:
 - SING 6
 - QUAD 4
 - DESIGNATOR FILTER NUMBER (01-27)
 - CHANNEL NUMBER
 - COMPONENT TYPE

EXAMPLE: R1012
RESISTOR, CHANNEL 1, FILTER 1 (40HZ), NUMBER 2
7. CH1 SHOWN, CH2 SAME EXCEPT WHERE NOTED, CONN. #S SHOWN IN () PARENTHESES ARE CH2

RANE

TITLE: **GE 14 SCHEMATIC**

DRW. NO: **521-148**

REV. **C**

Corp. 10802 47th Avenue West, Mukilteo
WA 98275-5098 (206) 355-6000

REV. **C** ACTION: **ADDED C33, 150 CAPS, CHANGED 5Z RESISTORS TO 1%, WAS RE/GE 14** DATE: **08NOV93** APPROVED: **RWJ**

DRAWN: **S HEADRICK** DATE: **20MAY91** CHECKED: **BPB** SHEET: **1** OF: **1** DO NOT SCALE DRAWING