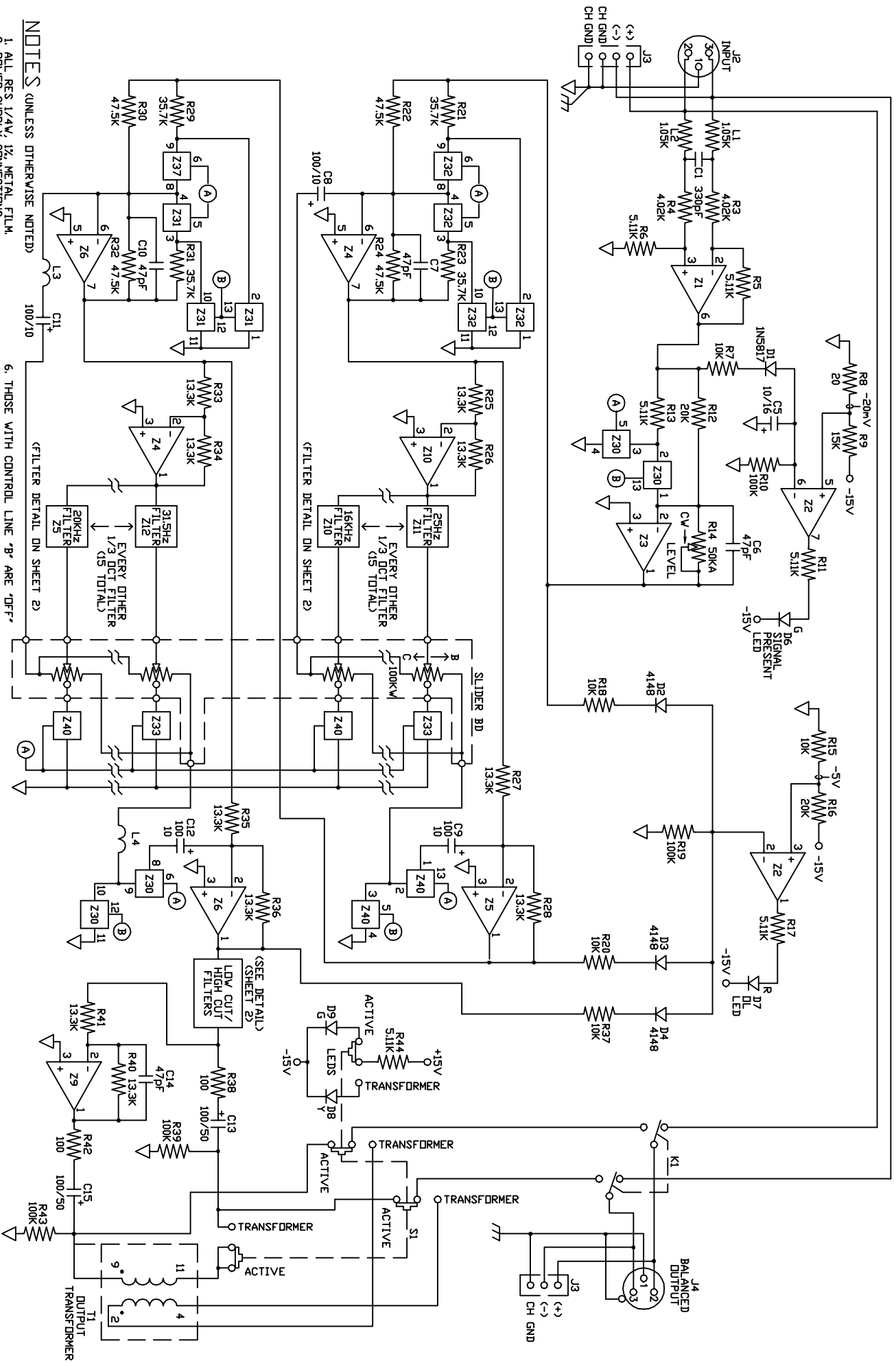


Rane Corp. (425)355-6000
 100484 DES: MAIN GE 30
 ACTION: NO CHANGE TO PART, NEW DDC#. FJ 6JAN98



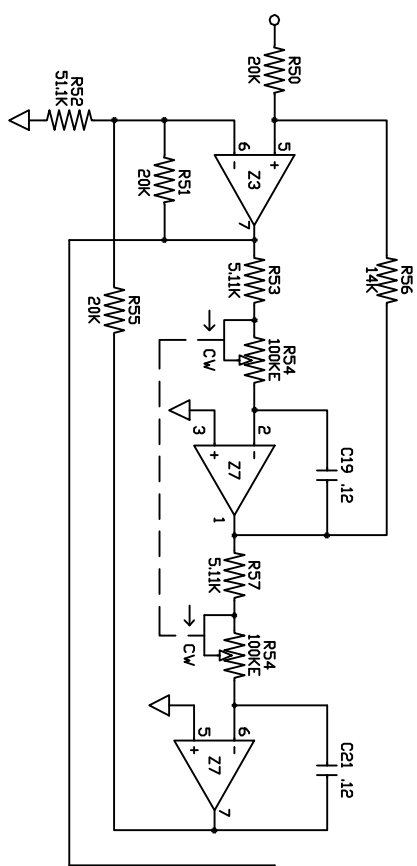
NOTES (UNLESS OTHERWISE NOTED)

1. ALL RES 1/4W, 1% METAL FILM.
2. POWER SUPPLY CONNECTIONS:
 DIALS' PIN 8= +15V, PIN 4= -15V
 SINGLES' PIN 7= +15V, PIN 4= -15V
 4066'S' PIN 14= +6.2V, PIN 7= -6.2V
3. ALL SVS SHOWN IN THEIR 'OUT' OR 'OFF' POSITION
4. RELAY SHOWN DE-ENERGIZED
5. FET SWITCHES WITH CONTROL LINE 'A' ARE 'DN'
6. THOSE WITH CONTROL LINE 'B' ARE 'OFF'
7. IC TYPES: Z1= LF351, Z10= LM833 OR 4570
 Z2= 741, Z3= 741C, Z4= 4072
 Z5= 741, Z6= 741C, Z7= 741C, Z8= 4072
 Z9= 741, Z10= 741C, Z11= 741C, Z12= 741C
 Z13= 741, Z14= 741C, Z15= 741C, Z16= 741C
 Z17= 741, Z18= 741C, Z19= 741C, Z20= 741C
 Z21= 741, Z22= 741C, Z23= 741C, Z24= 741C
 Z25= 741, Z26= 741C, Z27= 741C, Z28= 741C
 Z29= 741, Z30= 741C, Z31= 741C, Z32= 741C
 Z33= 741, Z34= 741C, Z35= 741C, Z36= 741C
 Z37= 741, Z38= 741C, Z39= 741C, Z40= 741C

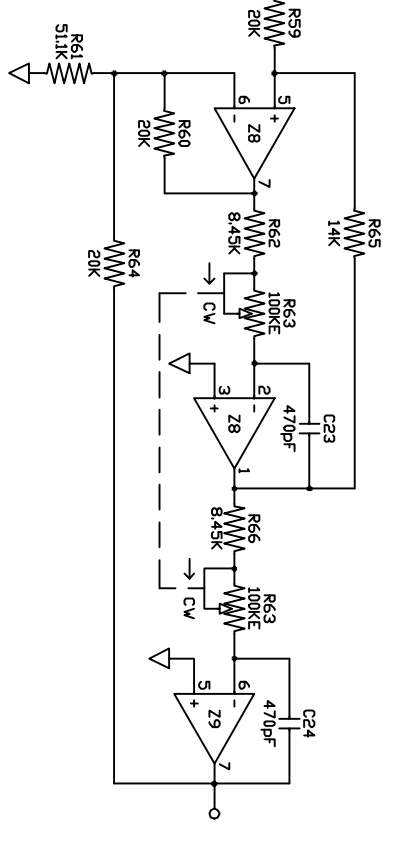
(FILTER DETAIL ON SHEET 2)

(FILTER DETAIL ON SHEET 2)

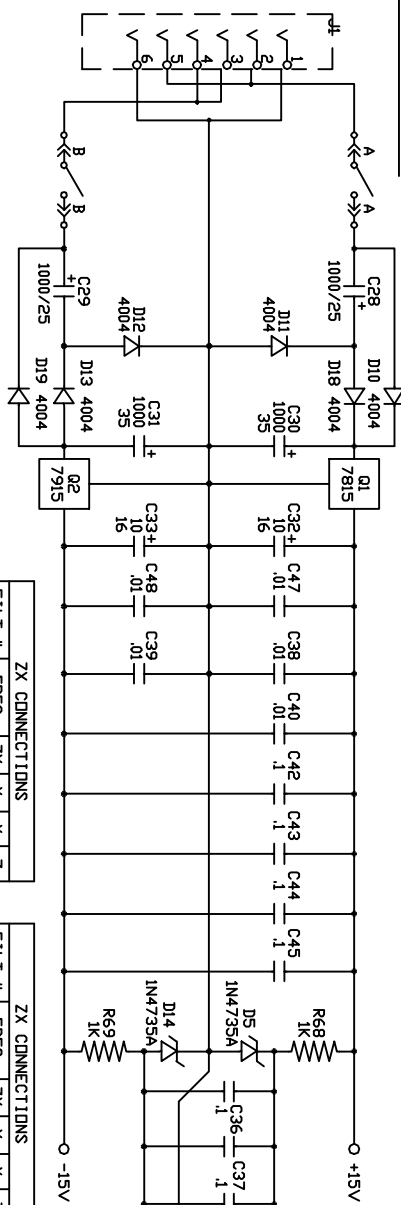
LOW CUT FILTER
10Hz - 250Hz



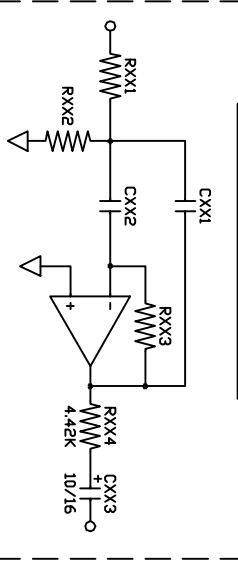
HIGH CUT FILTER
31K - 40KHz



POWER SUPPLY



TYPICAL FILTER STAGE



COMPONENT DESIGNATION SCHEME:
DESIGNATOR
FILTER NUMBER (1-30)
COMPONENT TYPE
EXAMPLE: R015
RESISTOR, FILTER 1, NUMBER 3

FILT #	FREQ.	ZX	X	Y	Z
1	25	Z11	6	5	7
2	31.5	Z12	6	5	7
3	40	Z12	2	3	1
4	50	Z11	2	3	1
5	63	Z13	6	5	7
6	80	Z14	6	5	7
7	100	Z14	2	3	1
8	125	Z13	2	3	1
9	160	Z15	6	5	7
10	200	Z16	6	5	7
11	250	Z16	2	3	1
12	315	Z15	2	3	1
13	400	Z17	6	5	7
14	500	Z18	6	5	7
15	630	Z18	2	3	1
16	800	Z17	2	3	1
17	1K	Z19	6	5	7
18	1.25K	Z20	6	5	7

FILT #	FREQ.	ZX	X	Y	Z
19	1.6K	Z20	2	3	1
20	2K	Z19	2	3	1
21	2.5K	Z21	6	5	7
22	3.15K	Z22	6	5	7
23	4K	Z22	2	3	1
24	5K	Z21	2	3	1
25	6.3K	Z23	6	5	7
26	8K	Z24	6	5	7
27	10K	Z24	2	3	1
28	12.5K	Z23	2	3	1
29	16K	Z10	6	5	7
30	20K	Z5	6	5	7

SEE NOTES SHEET 1

