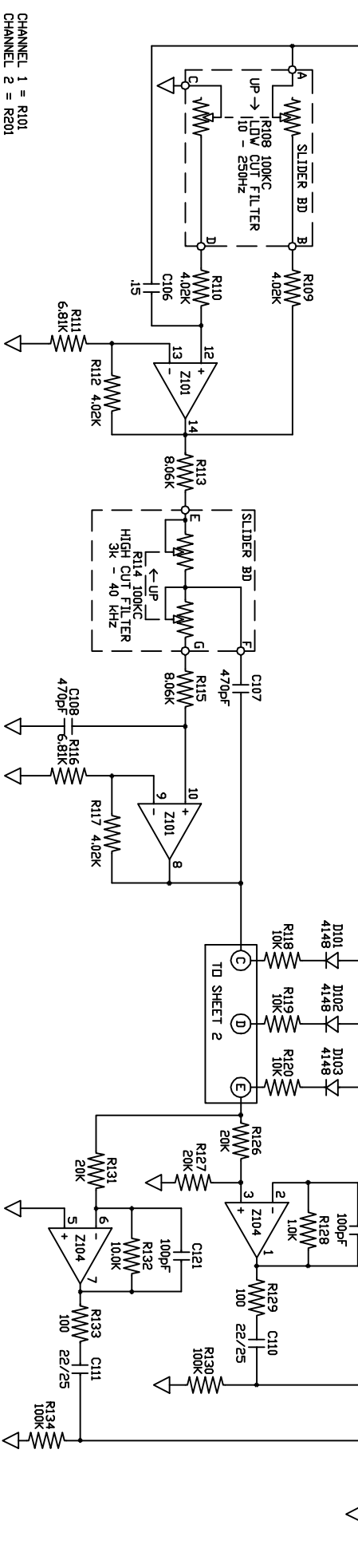
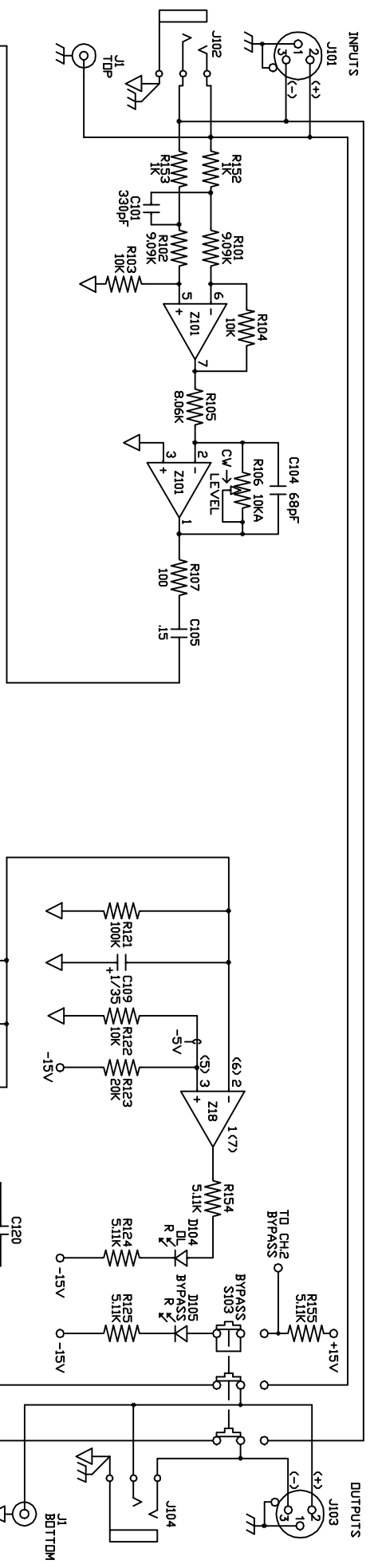


Rane Corp. (425)355-6000
 101522 DES: MAIN ME 60
 ACTION: NO CHANGE TO PART, NEW DDC# FJ 5FEB98



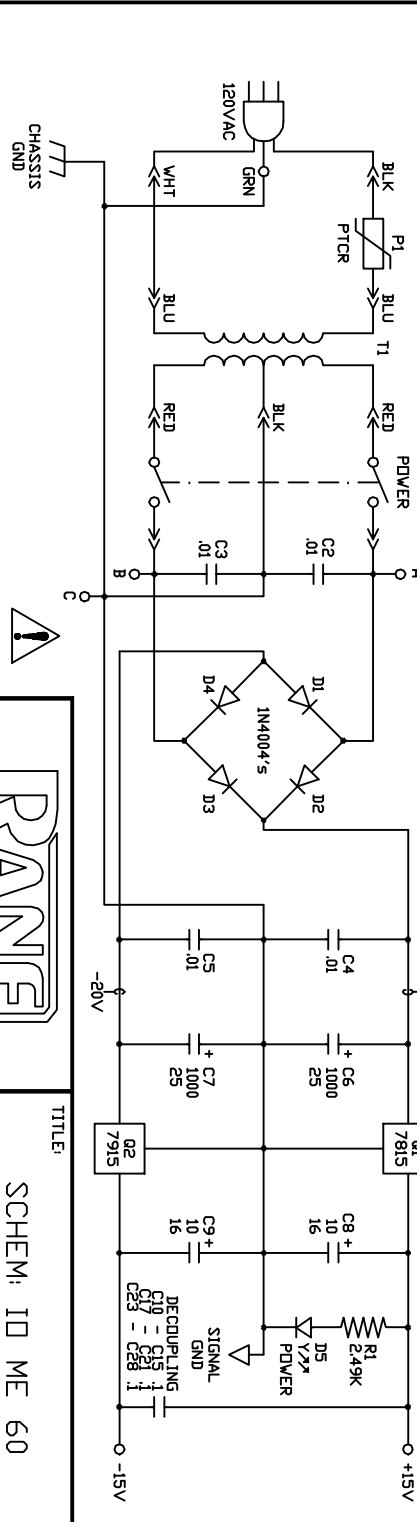
CHANNEL 1 = R101
 CHANNEL 2 = R201
 CHANNEL 1 SHOWN, CHANNEL 2 IDENTICAL EXCEPT ITEMS IN ◊ PARENTHESIS

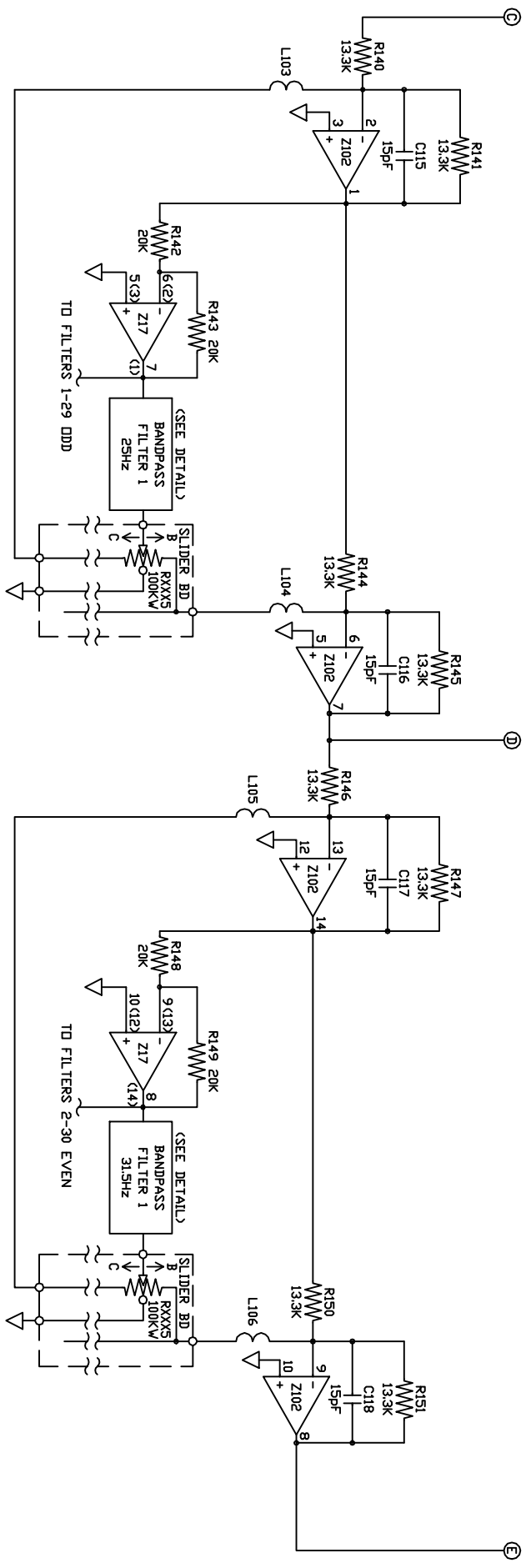
NOTES

UNLESS OTHERWISE SPECIFIED:

1. ALL RESISTORS 1/4W 1% METAL FILM
 2. QUADS PIN 4, DUALS PIN 8 ARE +V
 3. ALL SW'S SHOWN IN THEIR 'OUT' OR 'OFF' POSITION
 4. IC'S:
 - Z1-Z6-Z8-Z11-Z13-Z16-Z101-Z201 = OP11 DR EQUIV
 - Z7-Z12 = 4570 DR EQUIV
 - Z104-Z04 = 5532 DR EQUIV
 - Z102-Z202 = 4574 DR EQUIV
 5. FILTER DESIGNATION SCHEME:
 - X X X X X
 - DESIGNATOR
 - FILTER NUMBER (01-30)
 - CHANNEL NUMBER (1,2)
 - COMPONENT TYPE
- EXAMPLE: C2072
 CAPACITOR, CHANNEL 2,
 FILTER 07 (100HZ), NUMBER 2

FOR 230VAC CIRCUIT CONNECTION SEE SHEET 2

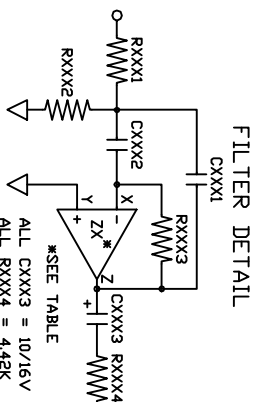




ZX CONNECTIONS

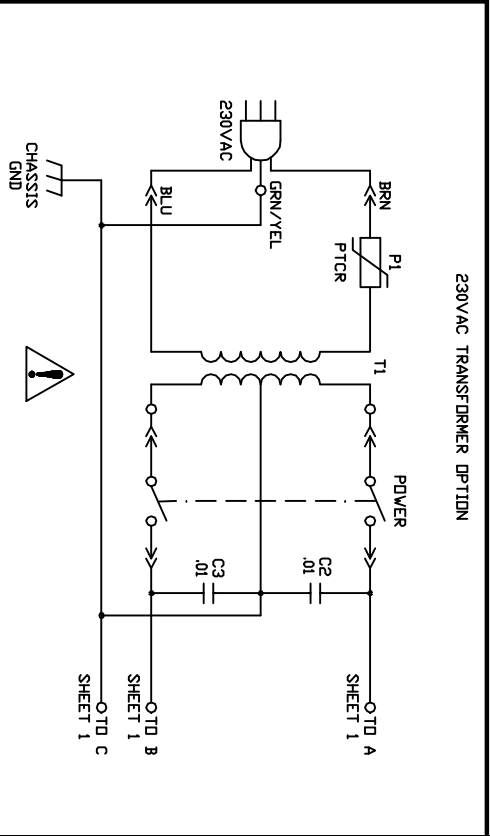
CHANNEL 1						
FILTER	FREQ	ZX	X	Y	Z	
1	25	Z12	2	3	1	
2	31.5	Z13	6	5	7	
3	40	Z13	2	3	1	
4	50	Z14	6	5	7	
5	63	Z14	2	3	1	
6	80	Z16	2	3	1	
7	100	Z16	6	5	7	
8	125	Z19	2	3	1	
9	160	Z15	6	5	7	
10	200	Z15	9	10	8	
11	250	Z15	13	12	14	
12	315	Z16	9	10	8	
13	400	Z16	13	12	14	
14	500	Z14	13	12	14	
15	630	Z14	9	10	8	
16	800	Z13	13	12	14	
17	1K	Z13	9	10	8	
18	1.25K	Z12	6	5	7	
19	1.6K	Z7	2	3	1	
20	2K	Z8	6	5	7	
21	2.5K	Z9	6	5	7	
22	3.15K	Z9	2	3	1	
23	4K	Z9	2	3	1	
24	5K	Z11	2	3	1	
25	6.3K	Z11	6	5	7	
26	8K	Z10	2	3	1	
27	10K	Z10	6	5	7	
28	12.5K	Z10	13	12	14	
29	16K	Z11	9	10	8	
30	20K	Z11	13	12	14	

CHANNEL 2						
FILTER	FREQ	ZX	X	Y	Z	
1	25	Z2	9	10	8	
2	31.5	Z2	13	12	14	
3	40	Z3	9	10	8	
4	50	Z3	13	12	14	
5	63	Z3	6	5	7	
6	80	Z3	6	5	7	
7	100	Z2	6	5	7	
8	125	Z2	2	3	1	
9	160	Z1	9	10	8	
10	200	Z1	13	12	14	
11	250	Z4	9	10	8	
12	315	Z4	13	12	14	
13	400	Z6	13	12	14	
14	500	Z6	9	10	8	
15	630	Z5	13	12	14	
16	800	Z5	9	10	8	
17	1K	Z5	6	5	7	
18	1.25K	Z5	2	3	1	
19	1.6K	Z6	6	5	7	
20	2K	Z6	2	3	1	
21	2.5K	Z4	2	3	1	
22	3.15K	Z4	6	5	7	
23	4K	Z1	2	3	1	
24	5K	Z1	6	5	7	
25	6.3K	Z7	6	5	7	
26	8K	Z8	9	10	8	
27	10K	Z8	13	12	14	
28	12.5K	Z9	9	10	8	
29	16K	Z9	13	12	14	
30	20K	Z10	9	10	8	



SEE NOTES SHEET 1

CHANNEL 1 = R101
CHANNEL 2 = R201
CHANNEL 1 SHOWN, CHANNEL 2 IDENTICAL



230VAC TRANSFORMER OPTION
TITLE: SCHEM: DETAILS ME 60
DDC: NO. 101519
Corp. 10802 47th Avenue West, Mukilteo WA 98275-5098 (425) 355-6000