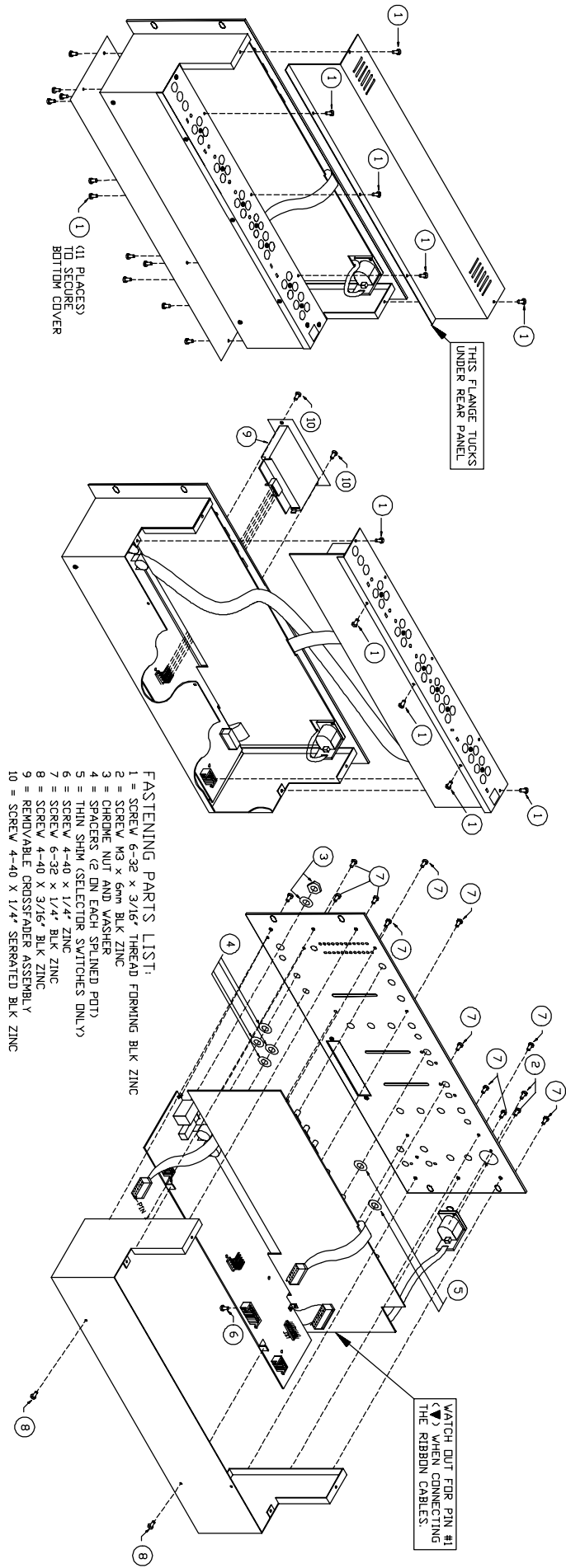
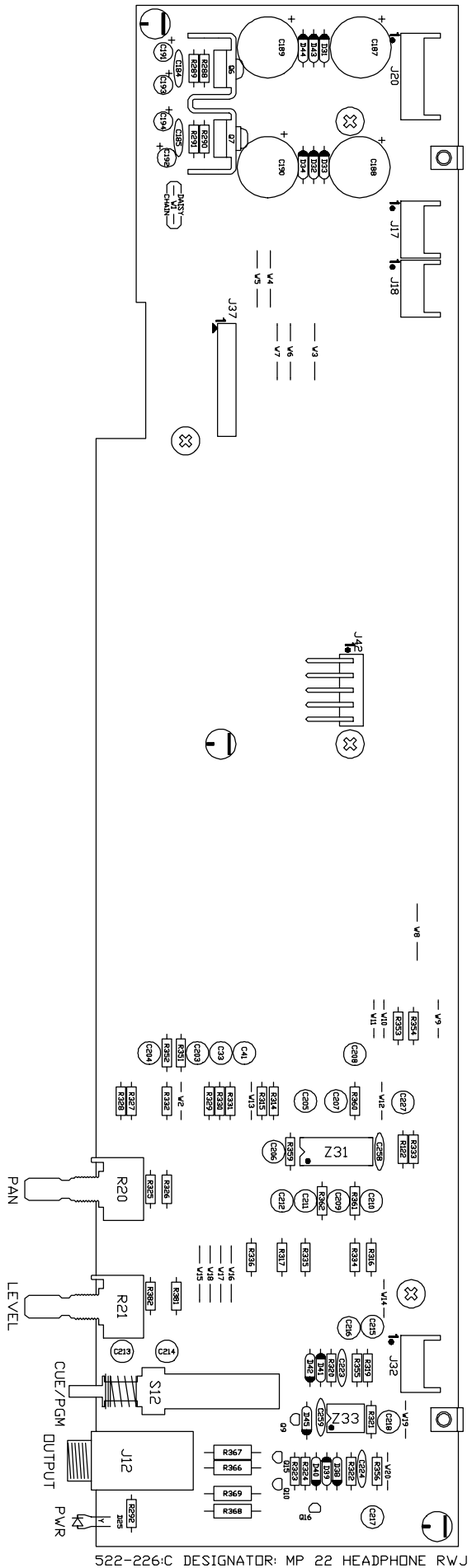


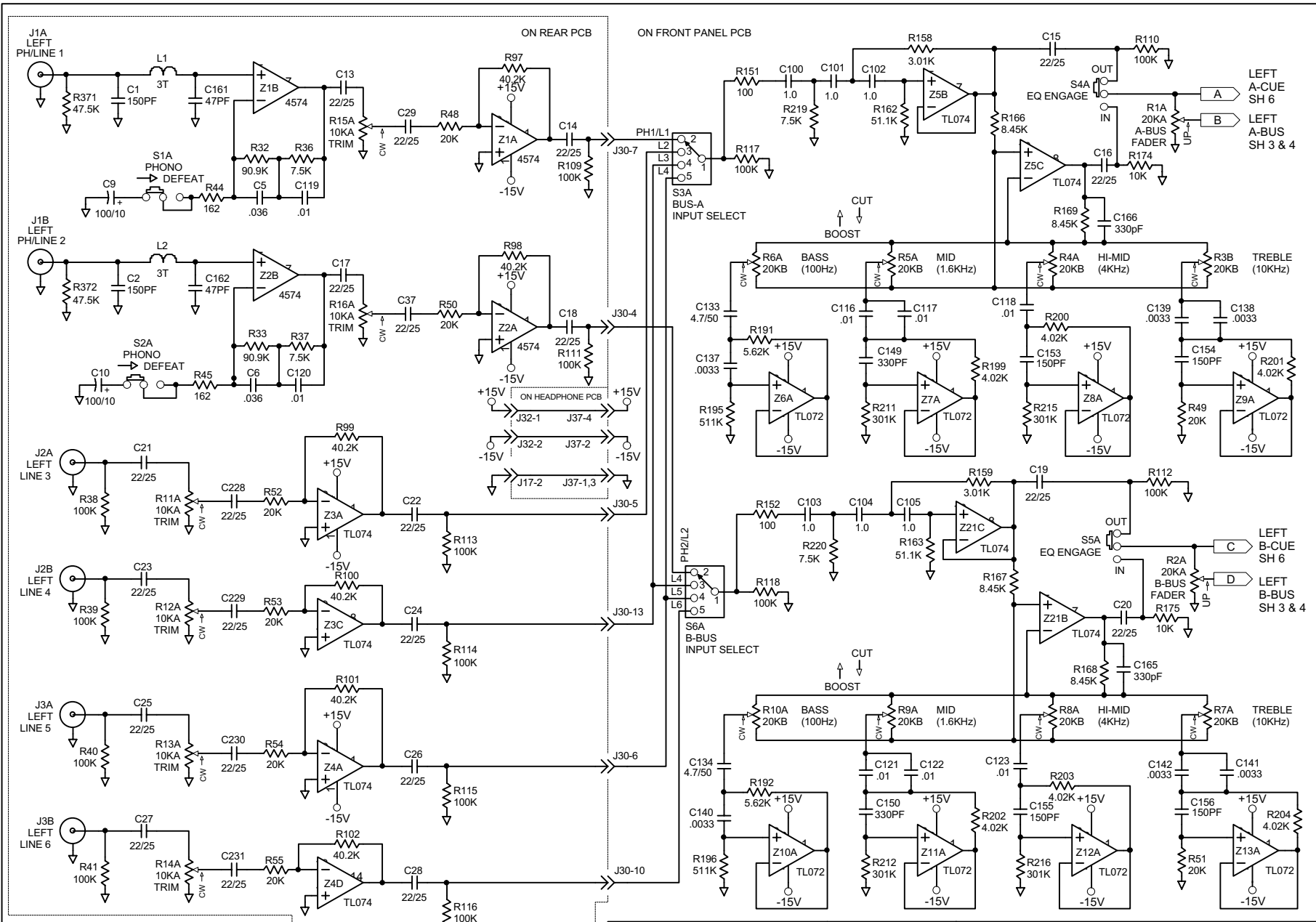
522-224E DESIGNATOR: MP 22 FRONT/REAR/XFADER ACTION: ADDED C267 TO THE FRONT PCB, MOVED SOME PARTS FOR IMPROVED R.I. MARKED (3) CAPS OMIT. RJT 5NOV96



- FASTENING PARTS LIST:**
- 1 = SCREW 6-32 x 3/16" THREAD FORMING BLK ZINC
 - 2 = SCREW M3 x 6mm BLK ZINC
 - 3 = CHROME NUT AND WASHER
 - 4 = SPACERS (2 ON EACH SPLINED POT)
 - 5 = THIN SHIM (SELECTOR SWITCHES ONLY)
 - 6 = SCREW 4-40 x 1/4" ZINC
 - 7 = SCREW 6-32 x 3/16" BLK ZINC
 - 8 = SCREW 4-40 x 3/16" BLK ZINC
 - 9 = REMOVABLE CROSSFADER ASSEMBLY
 - 10 = SCREW 4-40 x 1/4" SERRATED BLK ZINC

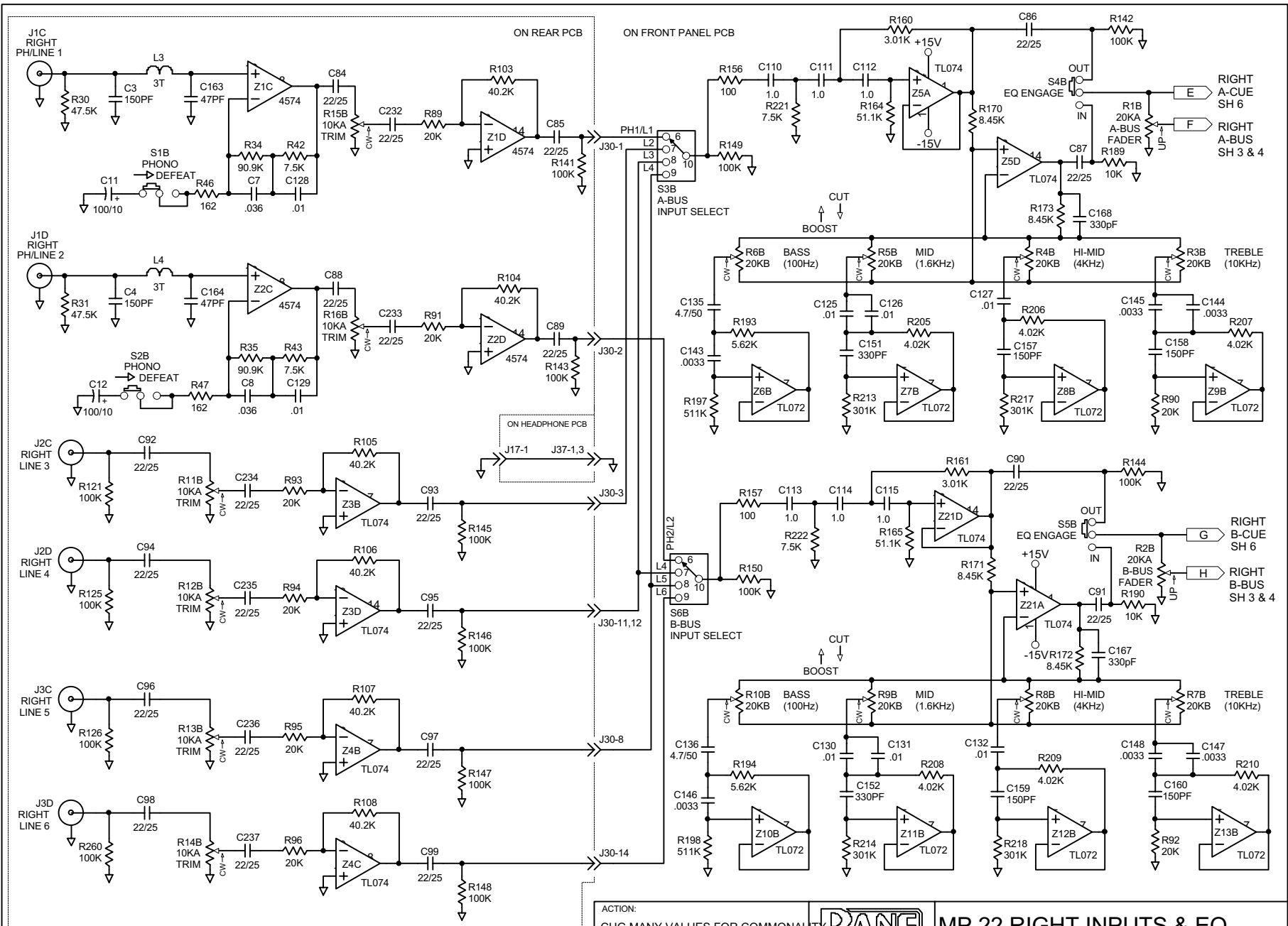
Schematic-2





NOTES (UNLESS OTHERWISE SPECIFIED)
 1. ALL RES 1/4W, 1% METAL FILM
 2. ALL SWs SHOWN IN THEIR "OUT" OR "OFF" POSITION
 3. ALL CAPS W/O VOLTAGE NOTED ARE 100V POLY FILM
 4. CAP TYPES: MP-METAL POLY, CD-CERAMIC DISC, MC-MULTI LAYERED CERAMIC DISC

ACTION: CHANGED MANY VALUES FOR COMMONALITY		RANE	MP 22 LEFT INPUTS & EQ	
DRAWN: S.Headrick	CHECKED: R.Harrison		10802 47th Avenue West Mukilteo WA 98275-5098	SHEET: 1 of 7



SEE NOTES ON 521-259 SH 1

H:\MP22\521-355.SCH

12-Feb-1997

ACTION:
CHG MANY VALUES FOR COMMONALTY



MP 22 RIGHT INPUTS & EQ

DRAWN:
S.Headrick

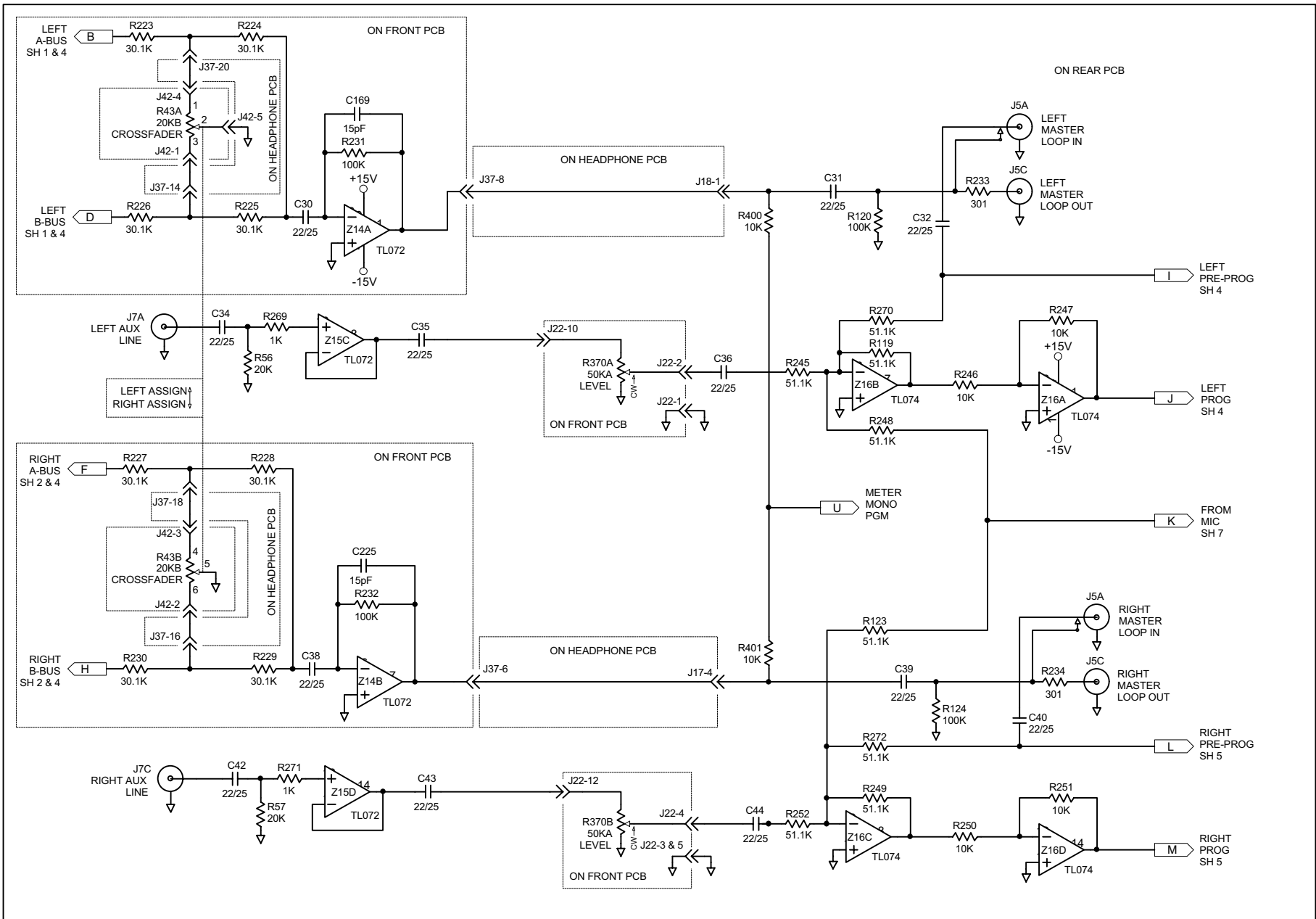
CHECKED:
R.Harrison

10802 47th Avenue West
Mukilteo WA 98275-5098

SHEET:
2 of 7

521-355

A



SEE NOTES ON 521-259 SH 1

ACTION:
CHG MANY VALUES FOR COMMONALITY



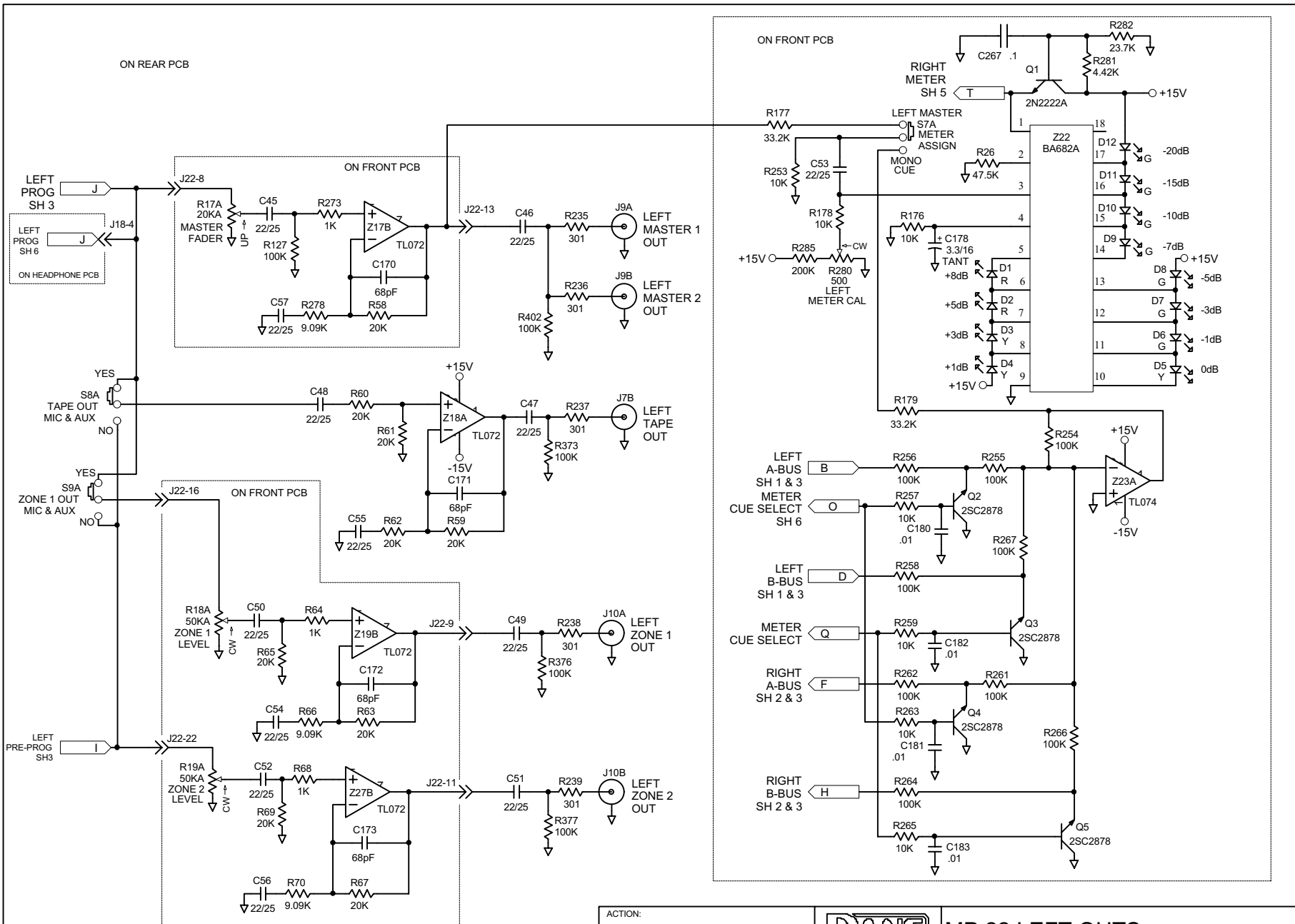
MP 22 LFT & RGT AUX INPUTS

10802 47th Avenue West
Mukilteo WA 98275-5098

SHEET:
3 of 7

521-356

A



SEE NOTES ON 521-259 SH 1

ACTION:
ADDED C267

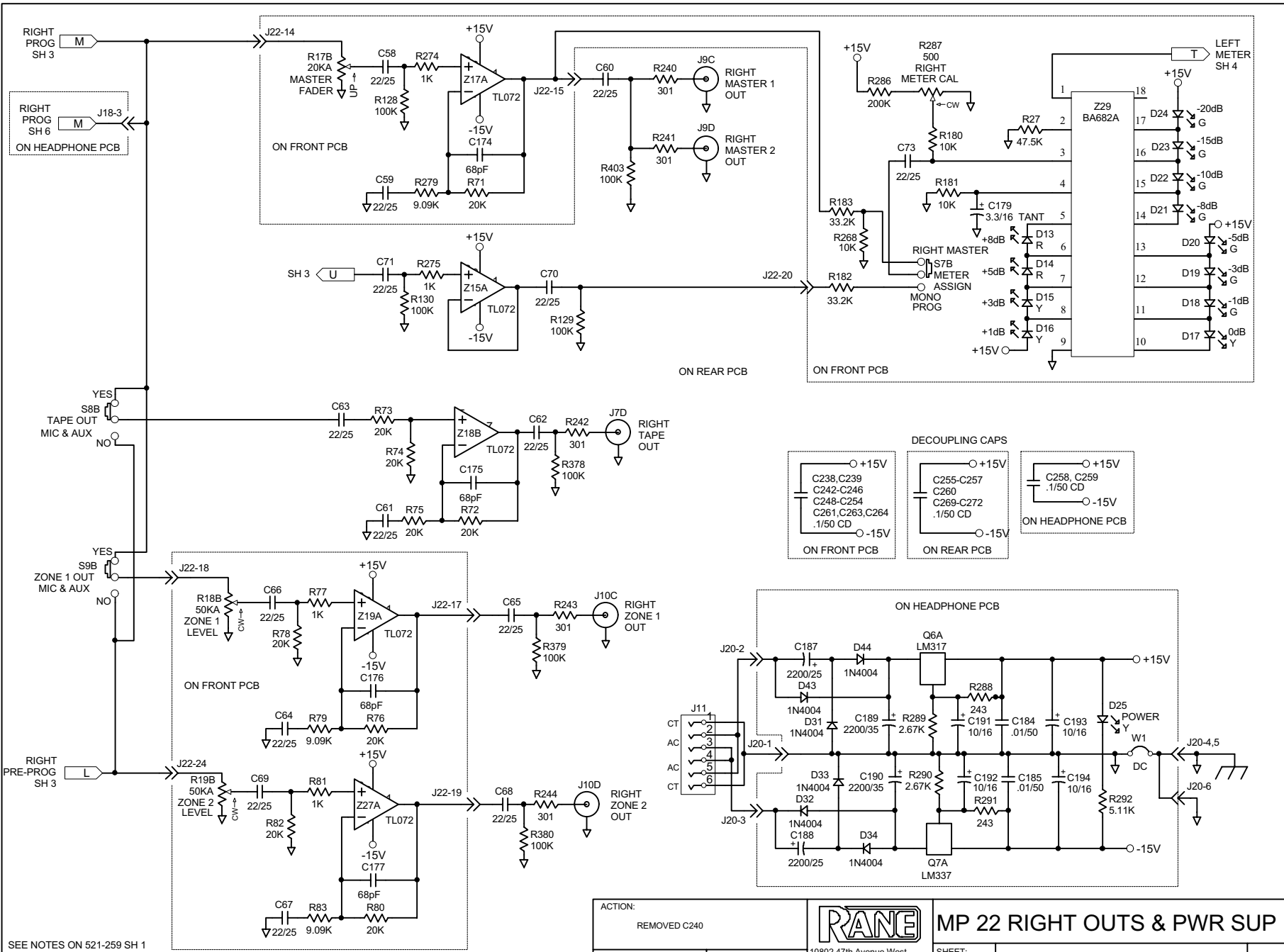


MP 22 LEFT OUTS

10802 47th Avenue West
Mukilteo WA 98275-5098

SHEET:
4 of 7

521-357



SEE NOTES ON 521-259 SH 1

H:\MP22\521-358.SCH

12-Feb-1997

ACTION:
REMOVED C240

DRAWN:
S. Headrick

CHECKED:
R. Harrison



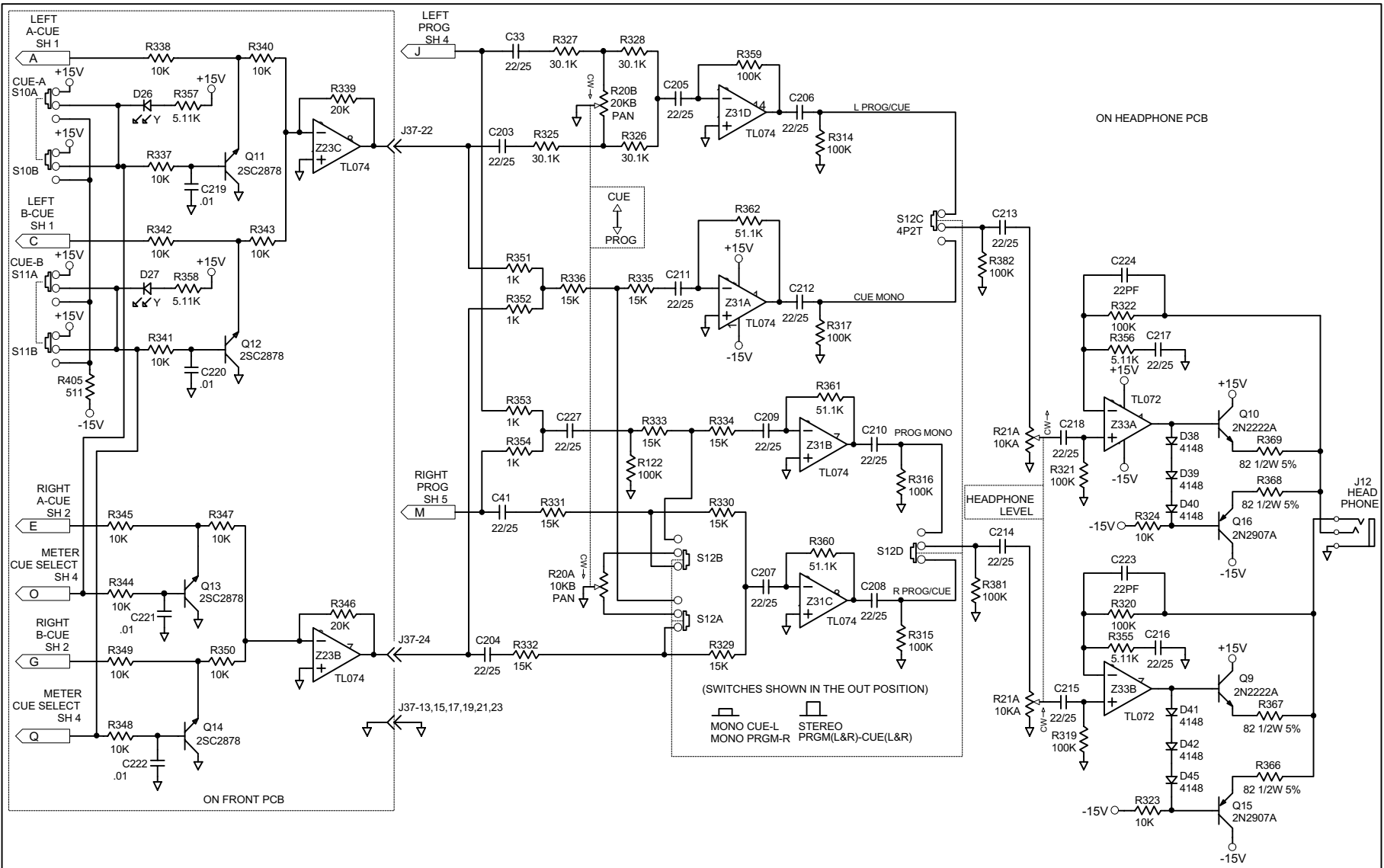
10802 47th Avenue West
Mukilteo WA 98275-5098

MP 22 RIGHT OUTS & PWR SUP

SHEET:
5 of 7

521-358

B



SEE NOTES ON 521-259 SH 1

ACTION:
CHG MANY VALUES FOR COMMONALITY



MP 22 HEADPHONE CIRCUITS

DRAWN:
S.Headrick

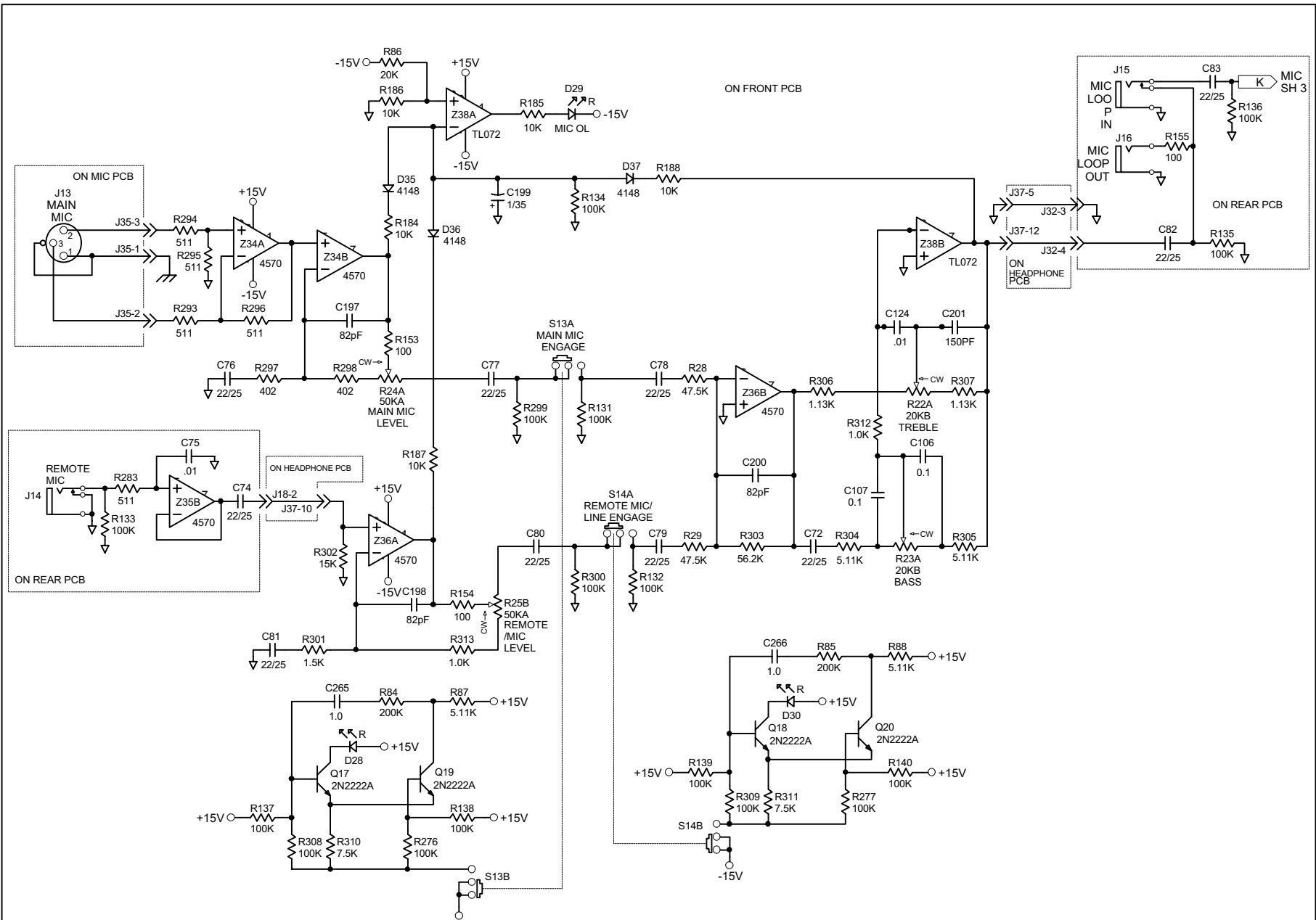
CHECKED:
R.Harrison

10802 47th Avenue West
Mukilteo WA 98275-5098

SHEET:
6 of 7

521-359

A



SEE NOTES ON 521-259 SH 1

H:\MP22\521-360.SCH

12-Feb-1997

ACTION:
CHG MANY VALUES FOR COMMONALITY

DRAWN:
S.Headrick

CHECKED:
R.Harrison



10802 47th Avenue West
Mukilteo WA 98275-5098

MP 22 MIC CIRCUITS

SHEET:
7 of 7

521-360

A