

ACTION: NO CHANGE TO DDC, NEW DDC#

DRAWN: RVJ DATE: 05MDV92 CHECKED: SKH DATE: 05MDV92 SHEET: 1 OF 9

REVISED: SKH APPROVED: RVJ DATE: 25MAR98

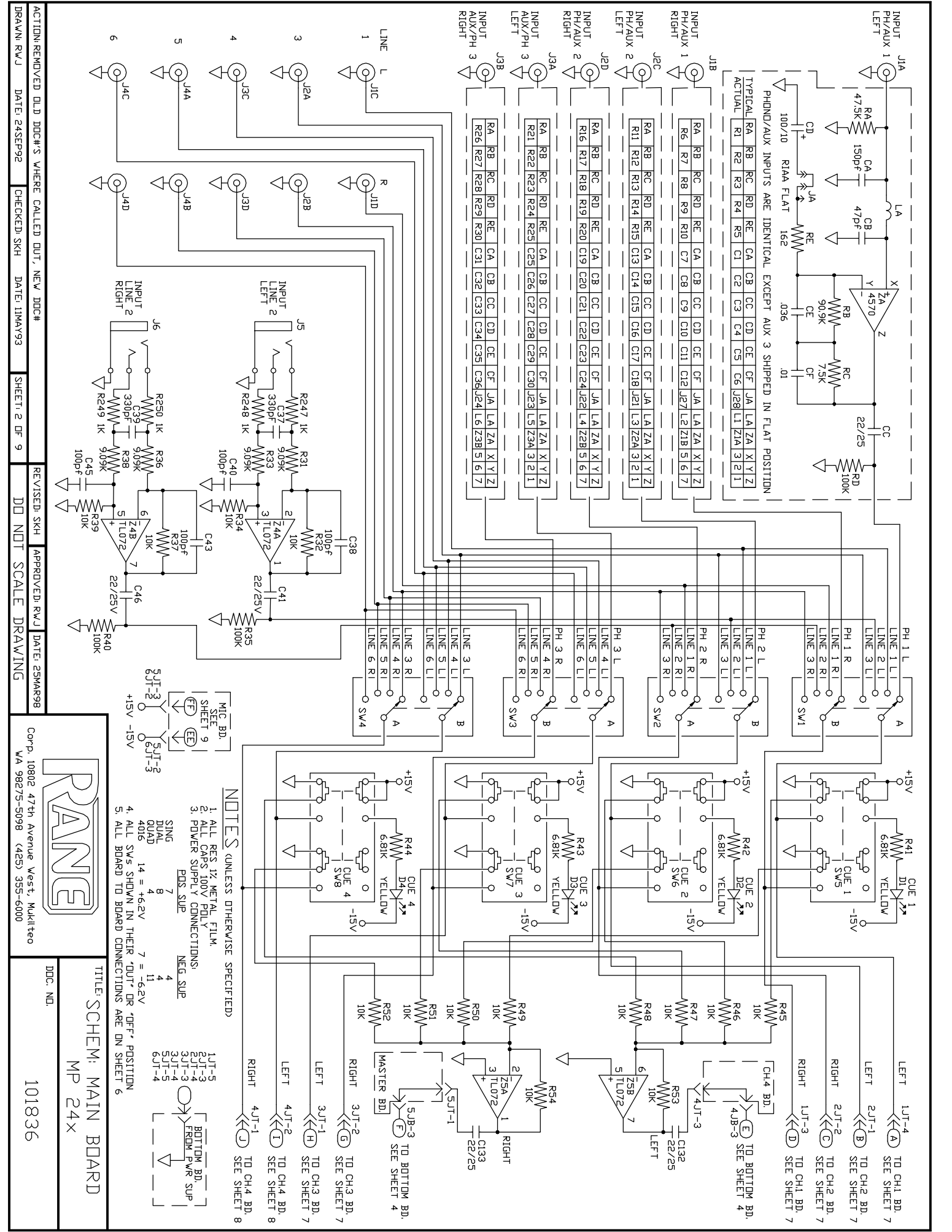
DD NOT SCALE DRAWING

Corp. 10802 47th Avenue West, Mukilteo  
WA 98275-5098 (425) 355-6000

**RANE**

TITLE: SCHEMATIC GUIDE  
MP 24X

DDC. NO. 101836



ACTION: REMOVED OLD DDC#S WHERE CALLED OUT, NEW DDC#

DRAWN: RWJ    DATE: 24SEP92    CHECKED: SKH    DATE: 11MAY93    SHEET: 2 OF 9    REVISED: SKH    APPROVED: RWJ    DATE: 25MAR98

DD NOT SCALE DRAWING



Comp. 10802 47th Avenue West, Mukilteo  
 WA 98275-5098 (425) 355-6000

**TITLE: SCHEM: MAIN BOARD**  
**MP 24X**

DDC. NO. 101836

**NOTES (UNLESS OTHERWISE SPECIFIED)**

- ALL RES. 1% METAL FILM.
- ALL CAPS 100V POLY.
- POWER SUPPLY CONNECTIONS: POS. SUPP. NEG. SUPP.
- ALL SW'S SHOWN IN THEIR "OUT" OR "OFF" POSITION
- ALL BOARD TO BOARD CONNECTIONS ARE ON SHEET 6

1-T-5 TO CH.1, BD. 7  
 2-JT-3 TO CH.2, BD. 7  
 2-JT-4 TO CH.2, BD. 7  
 3-JT-3 TO CH.2, BD. 7  
 3-JT-4 TO CH.2, BD. 7  
 5-JT-5 TO CH.1, BD. 7  
 6-JT-4 TO CH.1, BD. 7

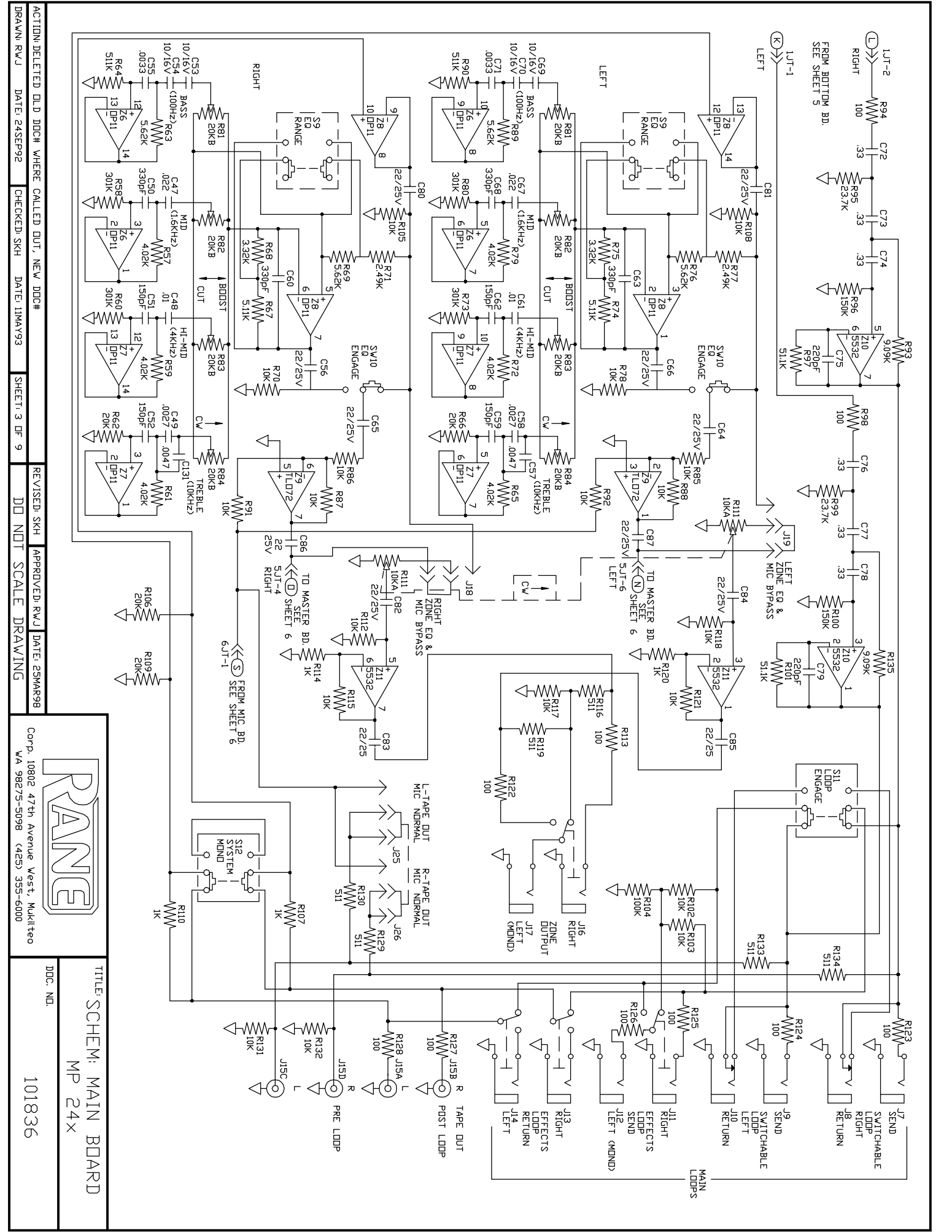
1-T-5 TO CH.3, BD. 7  
 2-JT-1 TO CH.3, BD. 7  
 3-JT-1 TO CH.3, BD. 7  
 4-JT-2 TO CH.4, BD. 8  
 5-JT-2 TO CH.4, BD. 8  
 6-JT-1 TO CH.4, BD. 8  
 7-JT-1 TO CH.4, BD. 8

1-T-5 TO CH.3, BD. 7  
 2-JT-1 TO CH.3, BD. 7  
 3-JT-1 TO CH.3, BD. 7  
 4-JT-2 TO CH.4, BD. 8  
 5-JT-2 TO CH.4, BD. 8  
 6-JT-1 TO CH.4, BD. 8  
 7-JT-1 TO CH.4, BD. 8

1-T-5 TO CH.3, BD. 7  
 2-JT-1 TO CH.3, BD. 7  
 3-JT-1 TO CH.3, BD. 7  
 4-JT-2 TO CH.4, BD. 8  
 5-JT-2 TO CH.4, BD. 8  
 6-JT-1 TO CH.4, BD. 8  
 7-JT-1 TO CH.4, BD. 8

1-T-5 TO CH.3, BD. 7  
 2-JT-1 TO CH.3, BD. 7  
 3-JT-1 TO CH.3, BD. 7  
 4-JT-2 TO CH.4, BD. 8  
 5-JT-2 TO CH.4, BD. 8  
 6-JT-1 TO CH.4, BD. 8  
 7-JT-1 TO CH.4, BD. 8

1-T-5 TO CH.3, BD. 7  
 2-JT-1 TO CH.3, BD. 7  
 3-JT-1 TO CH.3, BD. 7  
 4-JT-2 TO CH.4, BD. 8  
 5-JT-2 TO CH.4, BD. 8  
 6-JT-1 TO CH.4, BD. 8  
 7-JT-1 TO CH.4, BD. 8



ACTION: DELETED OLD DOC# WHERE CALLED OUT, NEW DOC#

DATE: 24SEP92

CHECKED: SKH

DATE: 1MAY93

SHEET: 3 OF 9

REVISED: SKH

APPROVED: RWJ

DATE: 25MAR98

DD NOT SCALE DRAWING

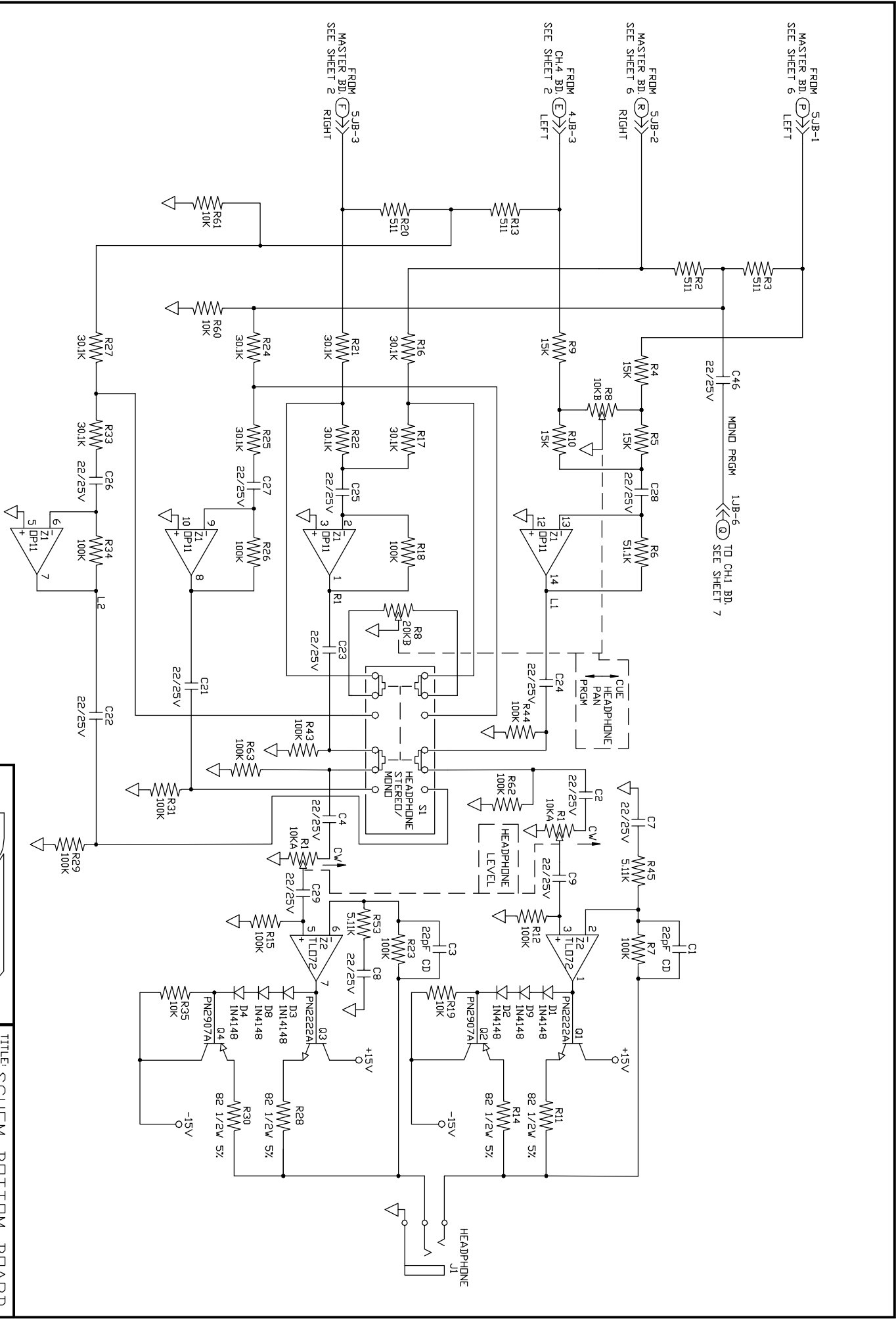
Corp. 10802 47th Avenue West, Mukilteo  
WA 98275-5098 (425) 355-6000

DDC. ND.

TITLE: SCHEM: MAIN BOARD

MP 24X

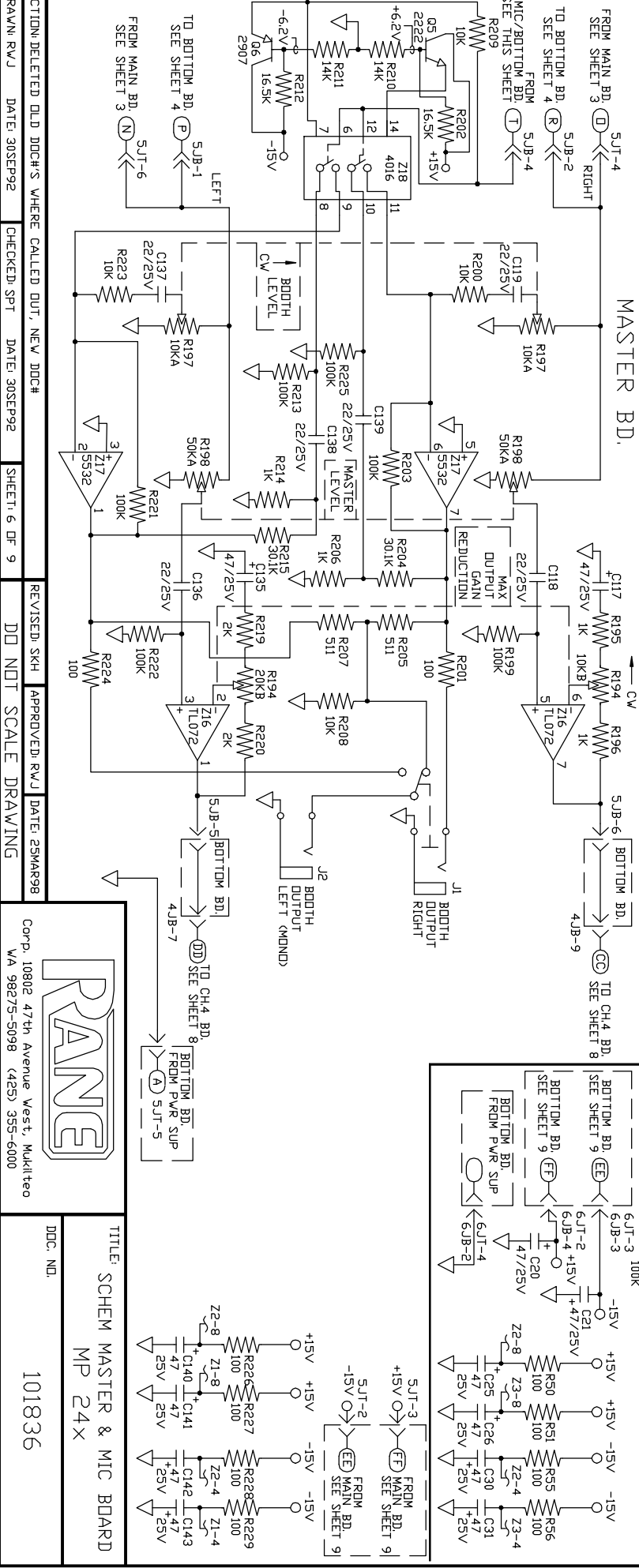
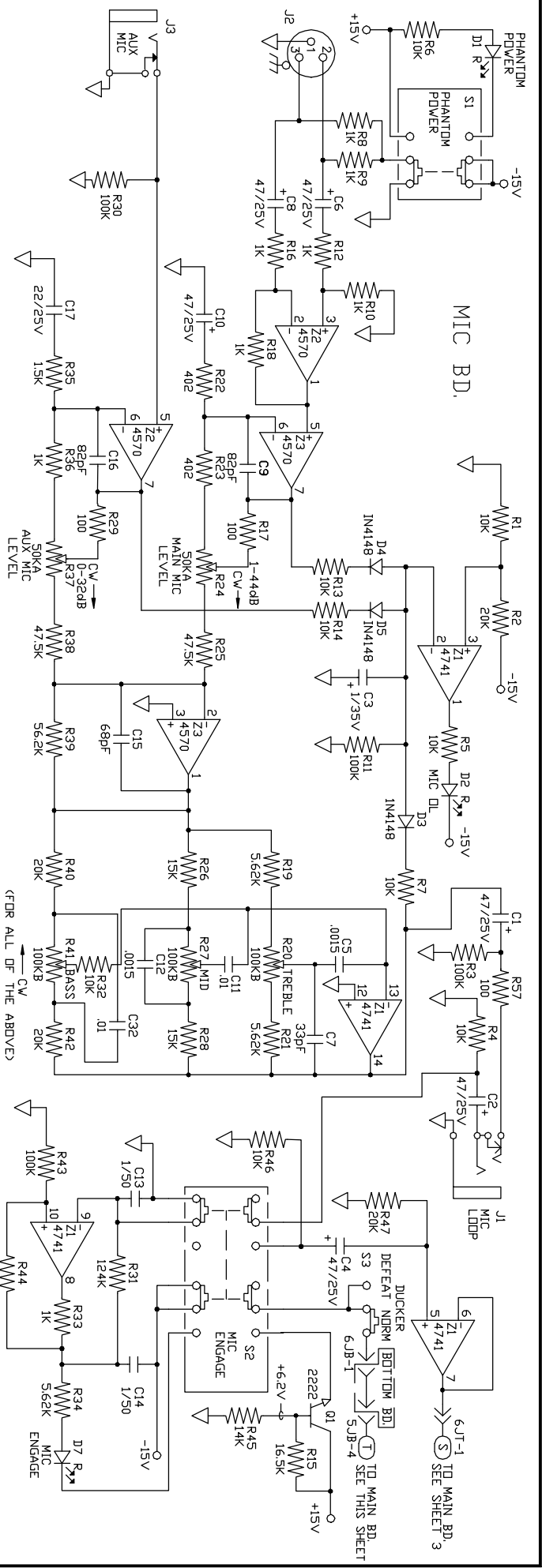
101836



ACTION: DELETED OLD DOC#S WHERE CALLED OUT, NEW DOC#  
 DRAWN: RVJ DATE: 25SEP92 CHECKED: SKH DATE: 14SEP92 SHEET: 4 OF 9 REVISED: SKH APPROVED: RVJ DATE: 25MAR98  
 DD NOT SCALE DRAWING  
 Corp. 10802 47th Avenue West, Mukilteo  
 WA 98275-5098 (425) 355-6000  
**RANER**  
 TITLE: SCHEM BOTTOM BOARD  
 MP 24X  
 DDC. NO. 101836







ACTION: DELETED OLD DOC#'S WHERE CALLED OUT, NEW DOC#

DRAWN: RWJ DATE: 30SEP92 CHECKED: SPT DATE: 30SEP92 SHEET: 6 OF 9 REVISED: SKH APPROVED: RWJ DATE: 25MAR98

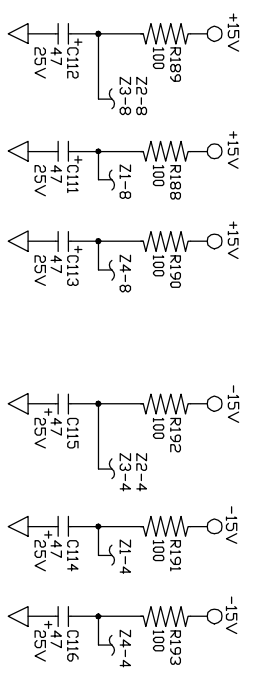
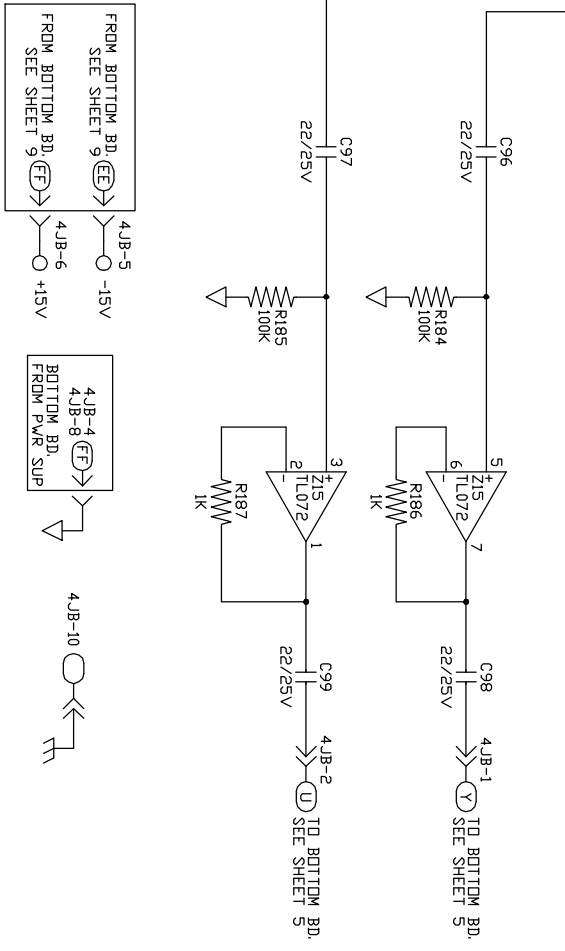
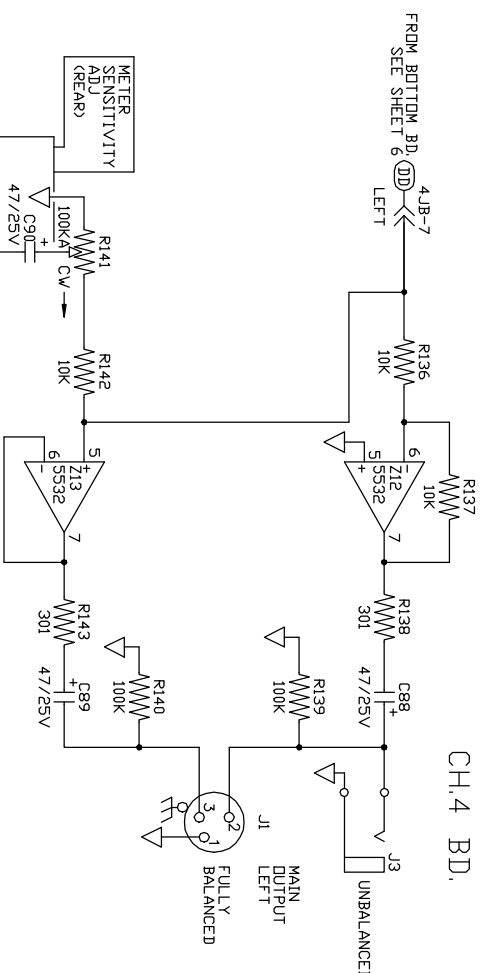
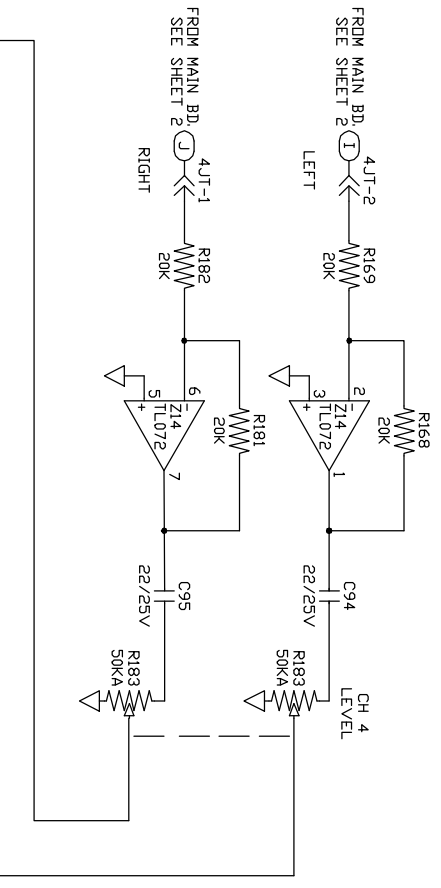
DD NOT SCALE DRAWING



Corp. 10802 47th Avenue West, Mukilteo  
WA 98275-5098 (425) 355-6000

TITLE: SCHEM MASTER & MIC BOARD  
MP 24X  
DOC. NO. 101836





ACTION: DELETED OLD DOC#S WHERE CALLED OUT, NEW DOC#  
 DRAWN: RWJ DATE: 02SEP92 CHECKED: RGH DATE: 14SEP92 SHEET: 8 OF 9 DO NOT SCALE DRAWING  
 REVISED: SKH APPROVED: RWJ DATE: 25MAR98

Corp. 10802 47th Avenue West, Mukilteo  
 WA 98275-5098 (425) 355-6000

TITLE: SCHEM CH 4 BOARD  
 MP 24X  
 101836

