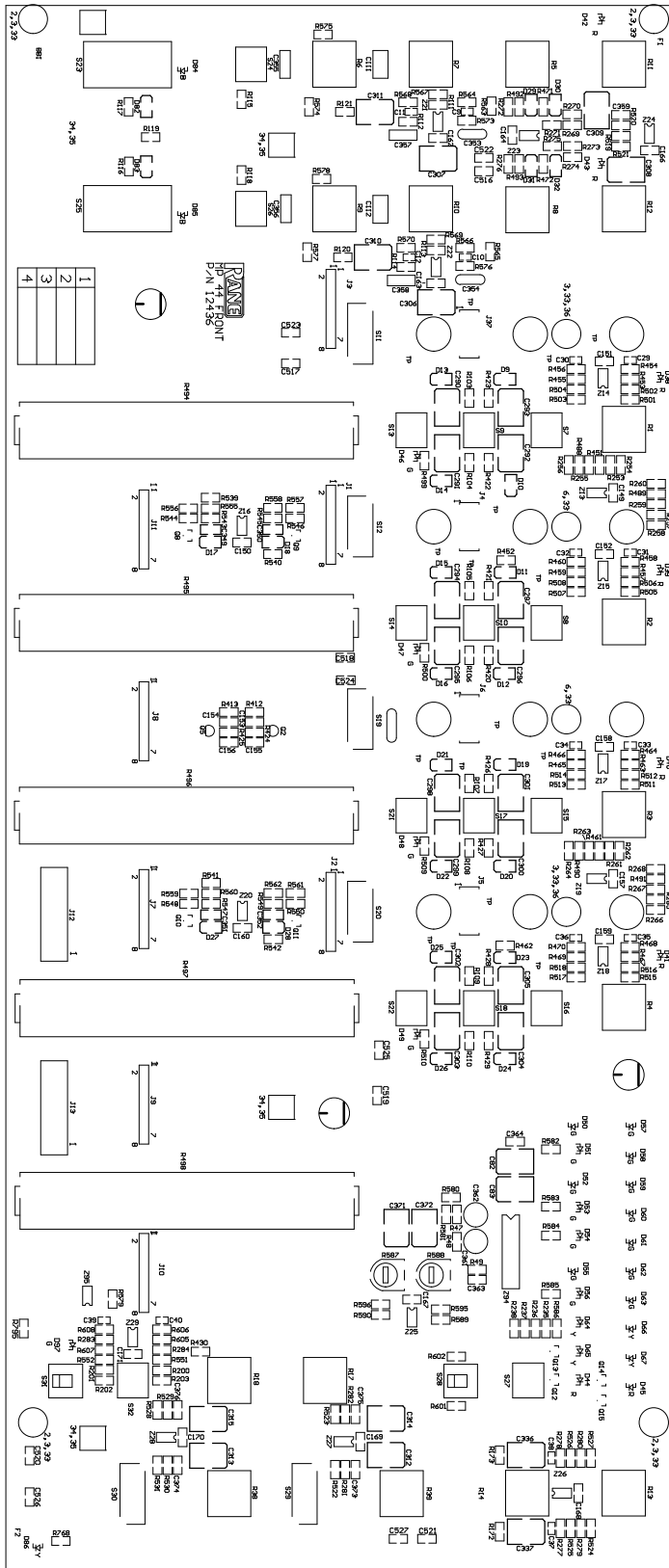
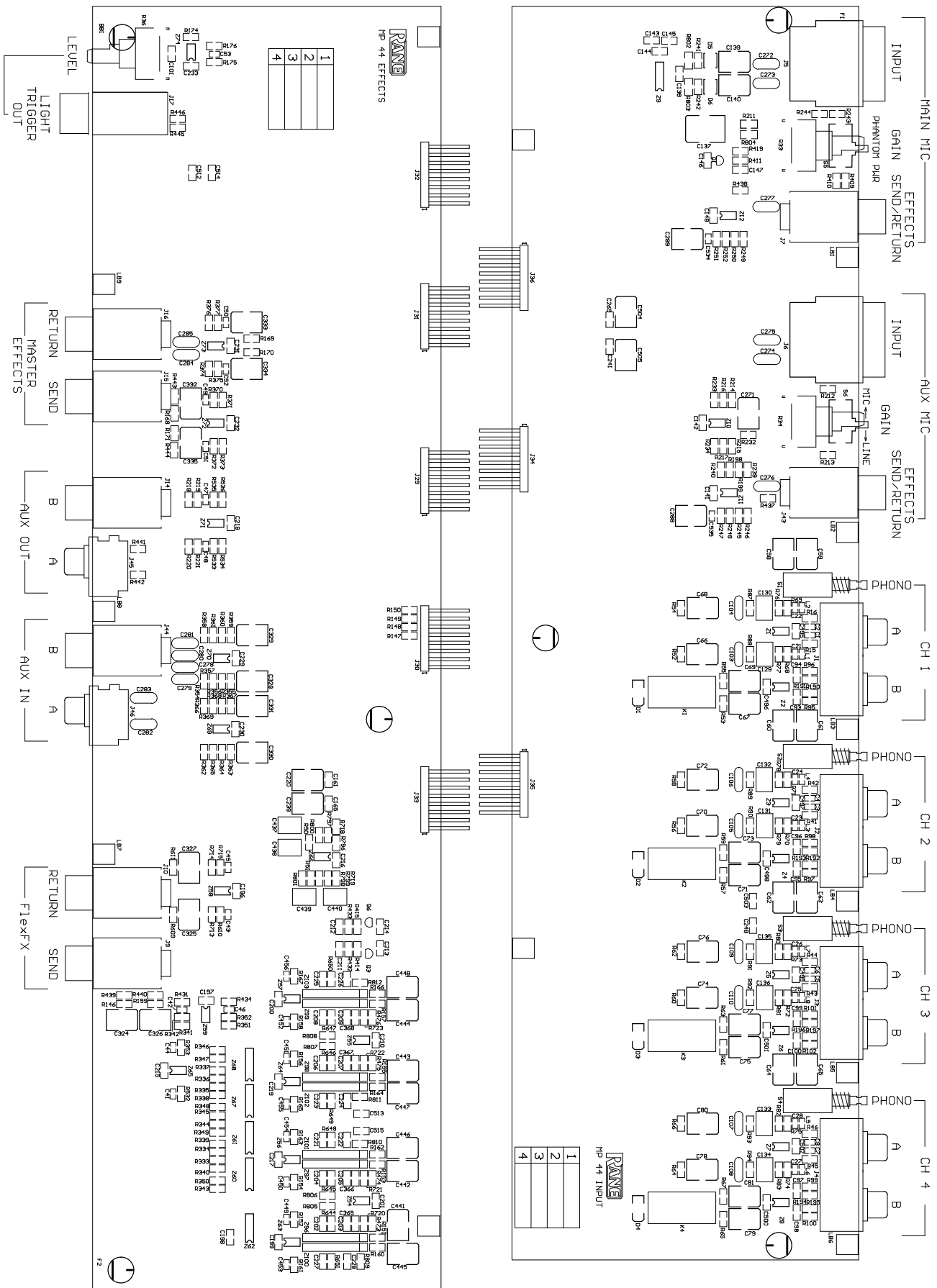


Rane Corp. (425)355-6000
 106131 DES: BOTTOM MP 44
 ACTION: CHANGED 16MM & 14MM TO NEW 14MM POTS,
 WAS DOC 105367 SKH 17JUN02

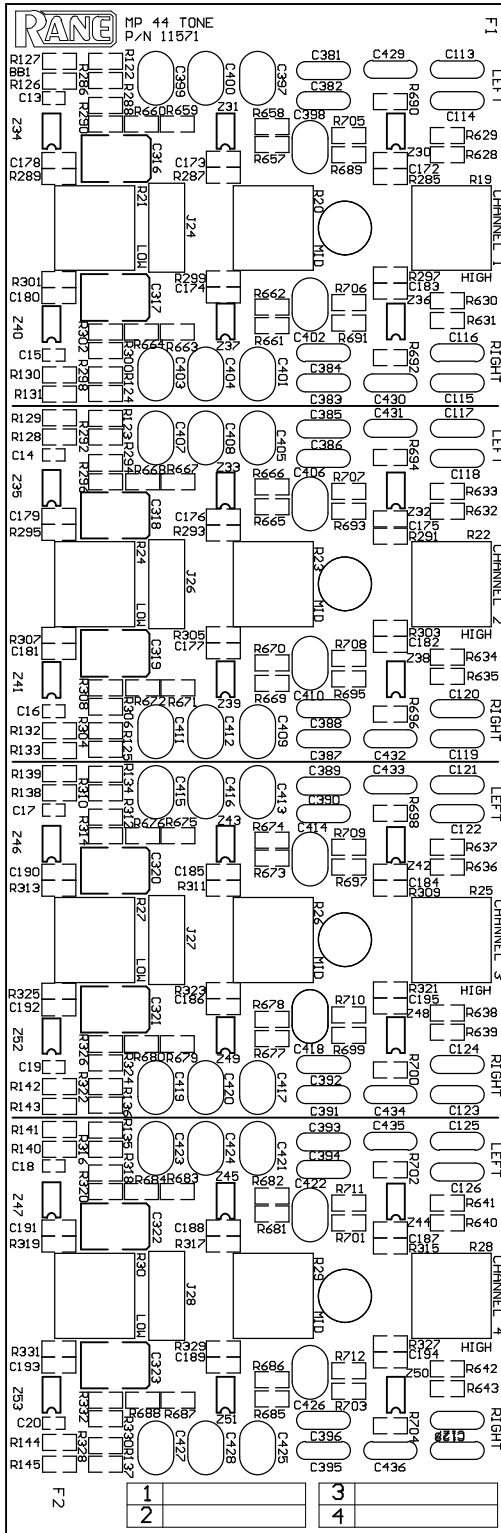


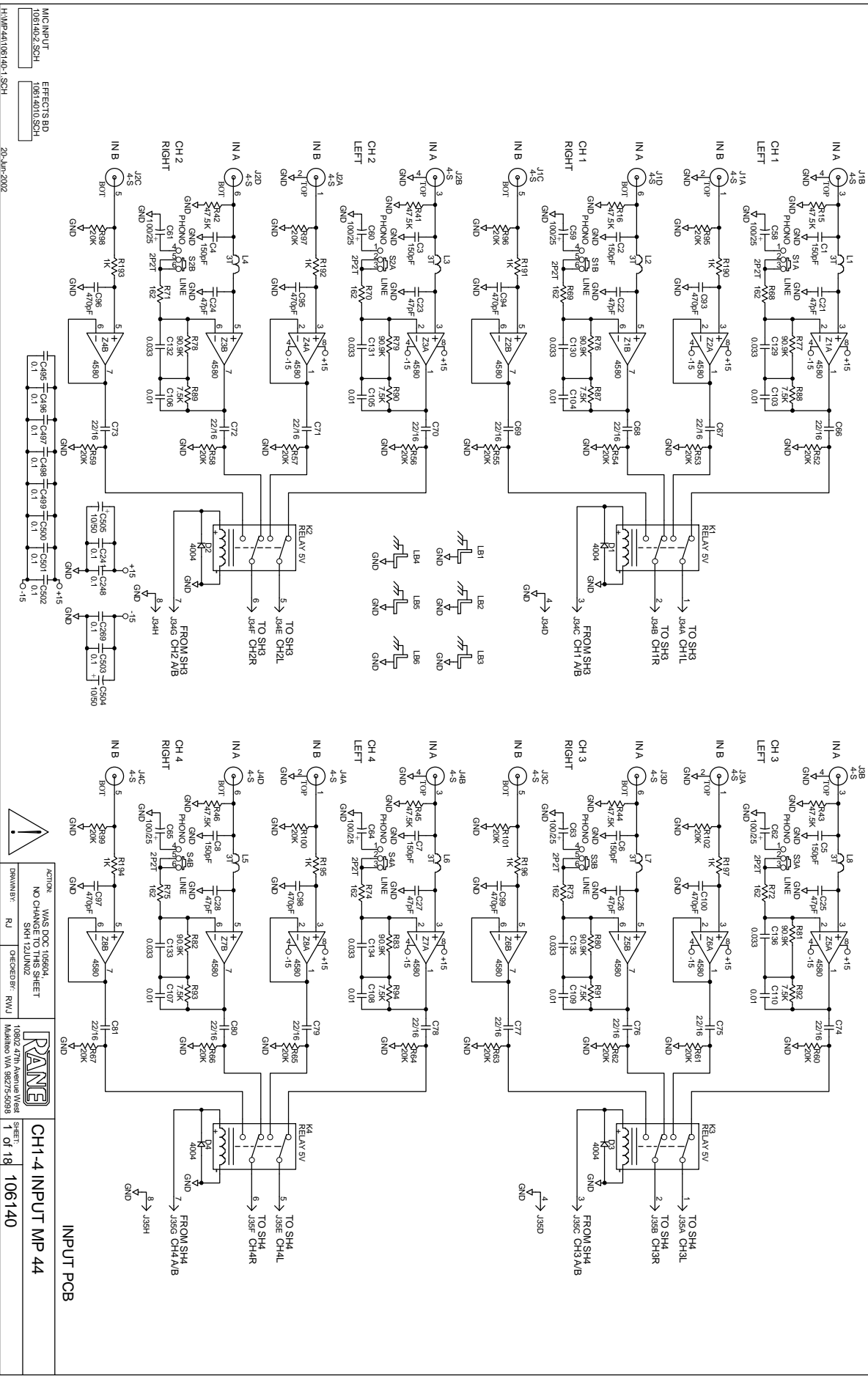
Rane Corp. (425)355-6000
 105373 DES: FRONT MP 44
 ACTION: MOVED R17, 227, R523, R282, R522, R281
 C375, C373, C169 RWJ 22AUG01



Rane Corp. (425)355-6000
 106132 DES: INPUT/EFFECTS MP 44
 ACTION: CHANGED R33, R34 & R36 TO NEW 14MM POTS,
 WAS DOC 105379 SKH 20JUN02







MIC INPUT
106146.2 SCH
EFFECTS BD
0814010 SCH

20-Jun-2002

WVS DDC 198904
NO CHANGE TO THIS SHEET
SKH 12/JUN02
CHECKED BY: RM/J

10802 47th Avenue West
Mankato MN 56001
88275-9098

106140
1 of 18

CH1-4 INPUT MP 44



ACTION: WAS DOC 106604,
NO CHANGE TO THIS SHEET
SKH 12JUN02

DRAWN BY: RJ CHECKED BY: RWJ

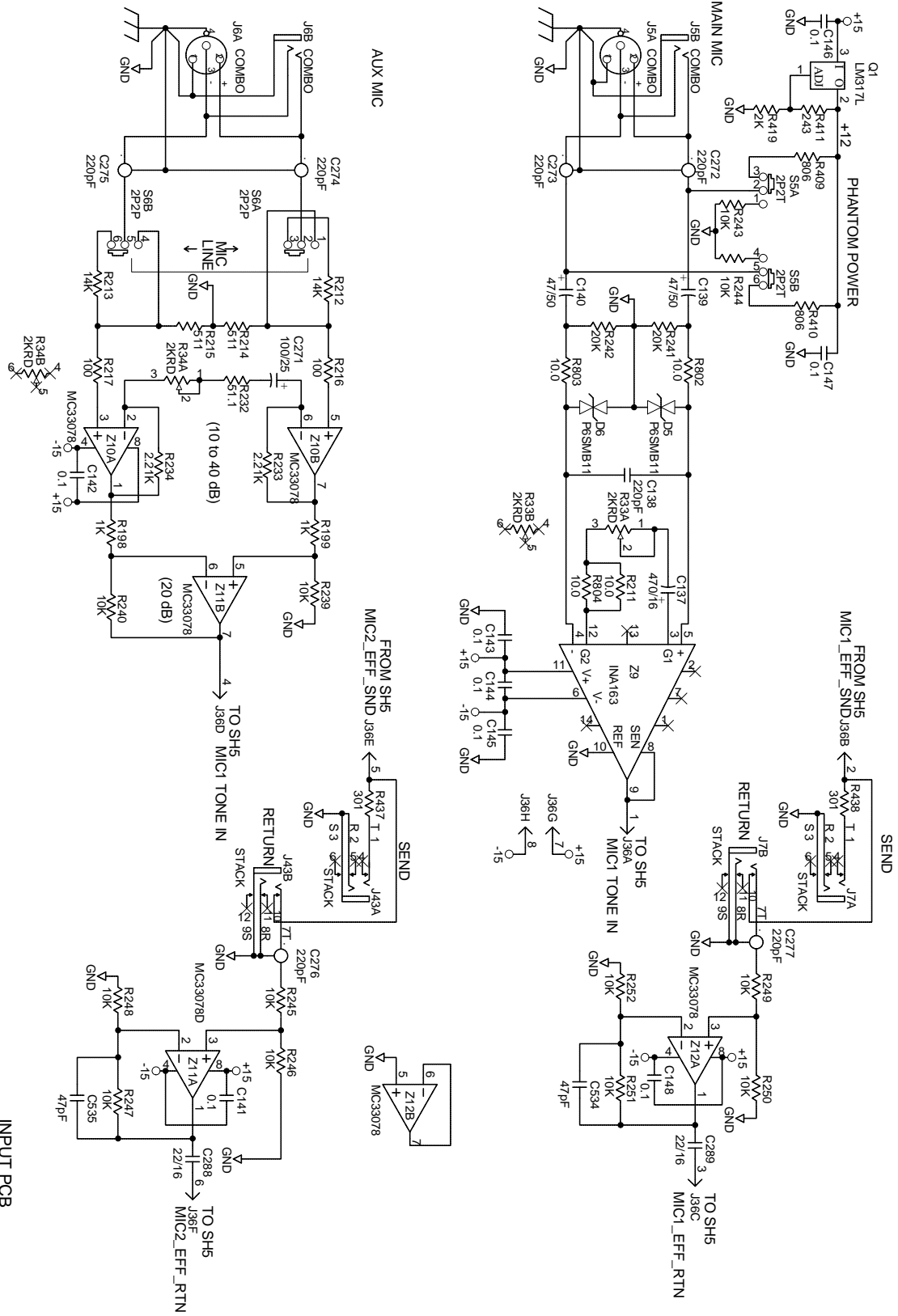


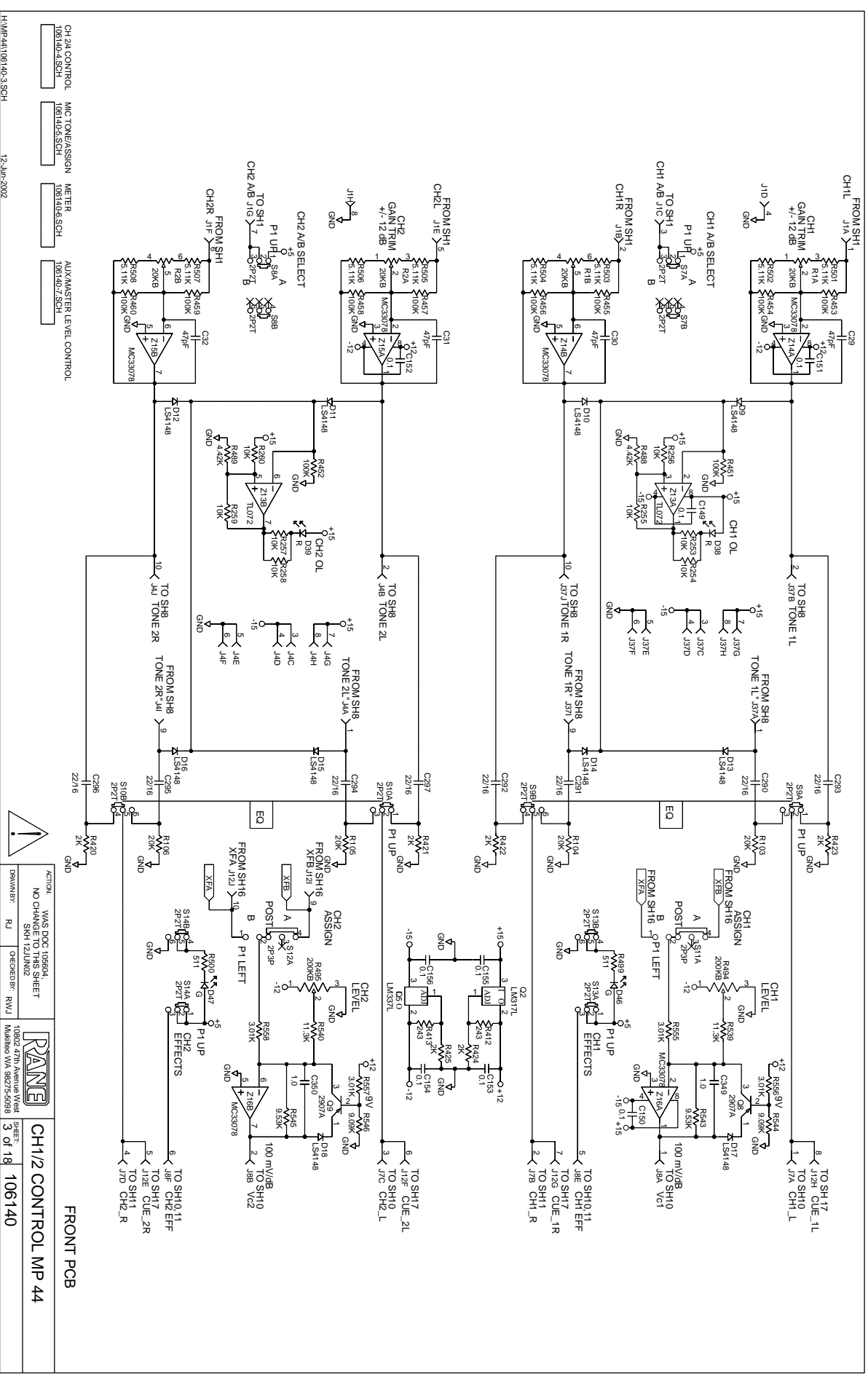
10902 47th Avenue West
Mukilteo WA 98275-5098

SHEET: 2 of 18
106140

MIC INPUTS MP 44

INPUT PCB





CH1/2 CONTROL MP 44

NO CHANGE TO THIS SHEET

WMS DOC 198904

SKH 12/JUN02

DESIGNED BY: RJ

CHECKED BY: RWJ

10802 47th Avenue West
 Mukilteo WA 98275-9098

3 of 18 106140

DATE: 12-JUN-2002

REV: 1

REV: 2

REV: 3

REV: 4

REV: 5

REV: 6

REV: 7

REV: 8

REV: 9

REV: 10

REV: 11

REV: 12

REV: 13

REV: 14

REV: 15

REV: 16

REV: 17

REV: 18

REV: 19

REV: 20

REV: 21

REV: 22

REV: 23

REV: 24

REV: 25

REV: 26

REV: 27

REV: 28

REV: 29

REV: 30

REV: 31

REV: 32

REV: 33

REV: 34

REV: 35

REV: 36

REV: 37

REV: 38

REV: 39

REV: 40

REV: 41

REV: 42

REV: 43

REV: 44

REV: 45

REV: 46

REV: 47

REV: 48

REV: 49

REV: 50

REV: 51

REV: 52

REV: 53

REV: 54

REV: 55

REV: 56

REV: 57

REV: 58

REV: 59

REV: 60

REV: 61

REV: 62

REV: 63

REV: 64

REV: 65

REV: 66

REV: 67

REV: 68

REV: 69

REV: 70

REV: 71

REV: 72

REV: 73

REV: 74

REV: 75

REV: 76

REV: 77

REV: 78

REV: 79

REV: 80

REV: 81

REV: 82

REV: 83

REV: 84

REV: 85

REV: 86

REV: 87

REV: 88

REV: 89

REV: 90

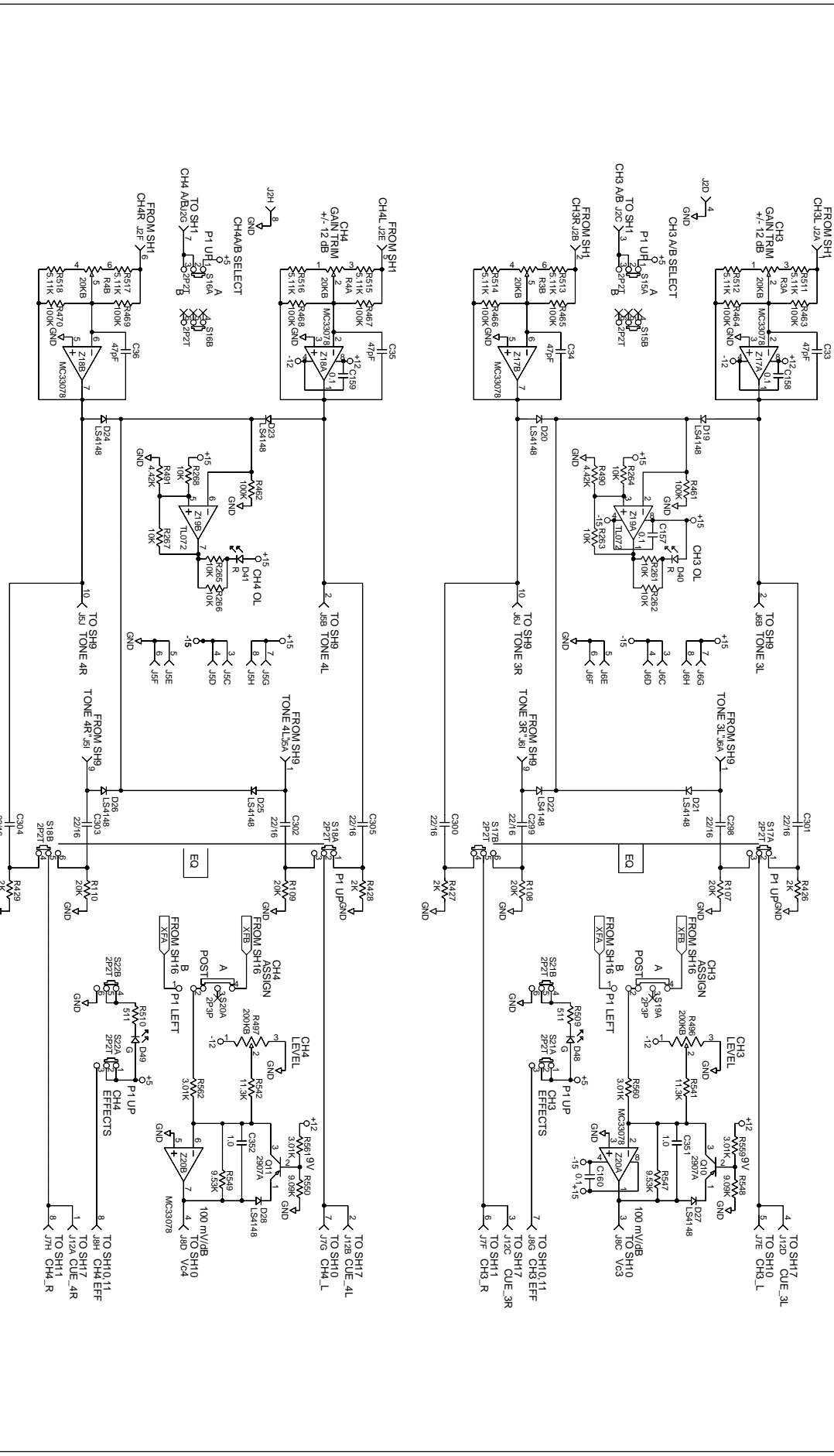


ACTION: WWS DDC 198904
 NO CHANGE TO THIS SHEET
 SKH 12JUN02
 DRAWN BY: RJ
 CHECKED BY: RWJ

PARNE
 10802 47th Avenue West
 Mukilteo WA 98275-5098

CH3/4 CONTROL MP 44
 SHEET: 4 of 18
 1061140

FRONT PCB



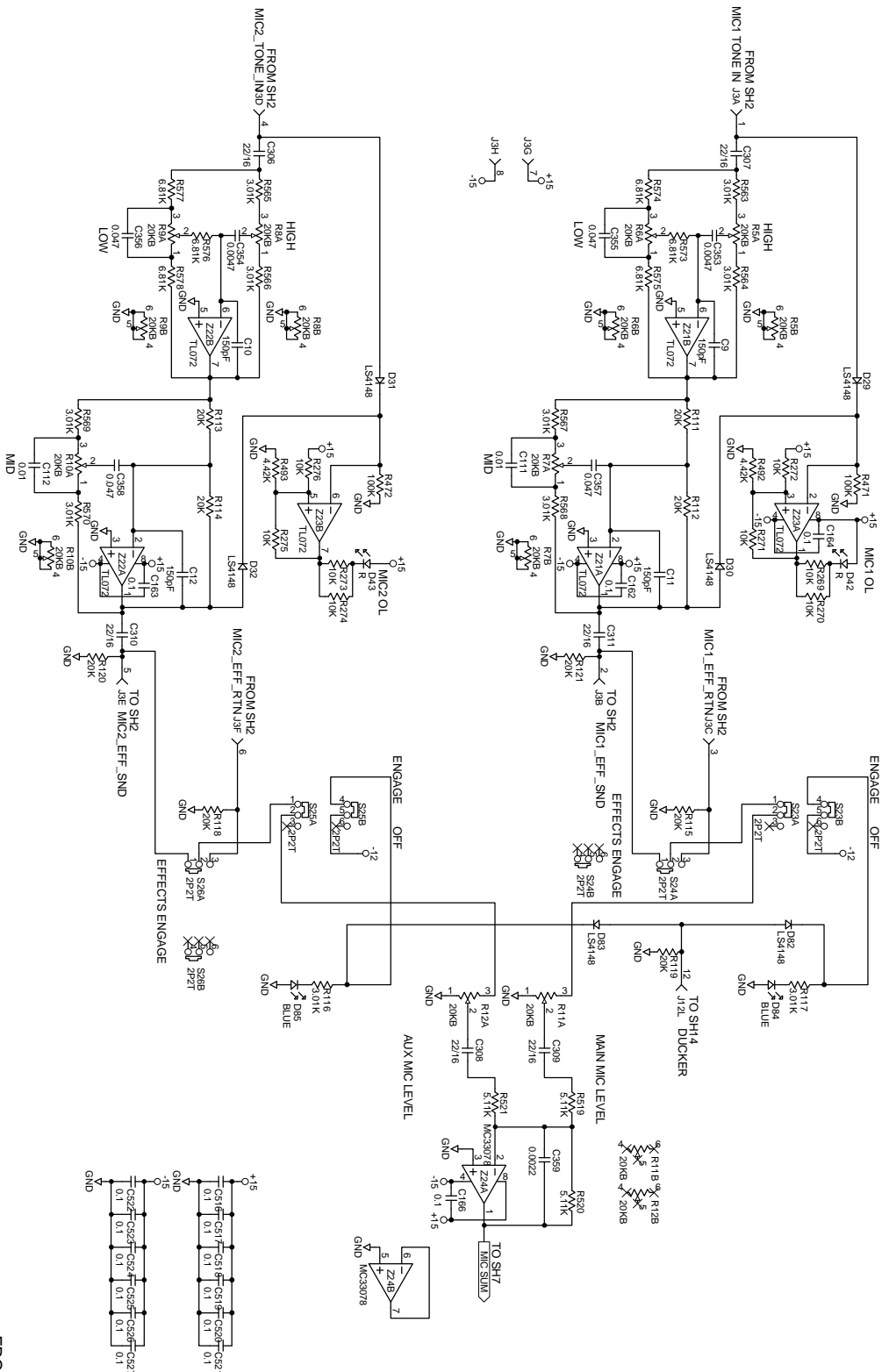
FRONT PCB

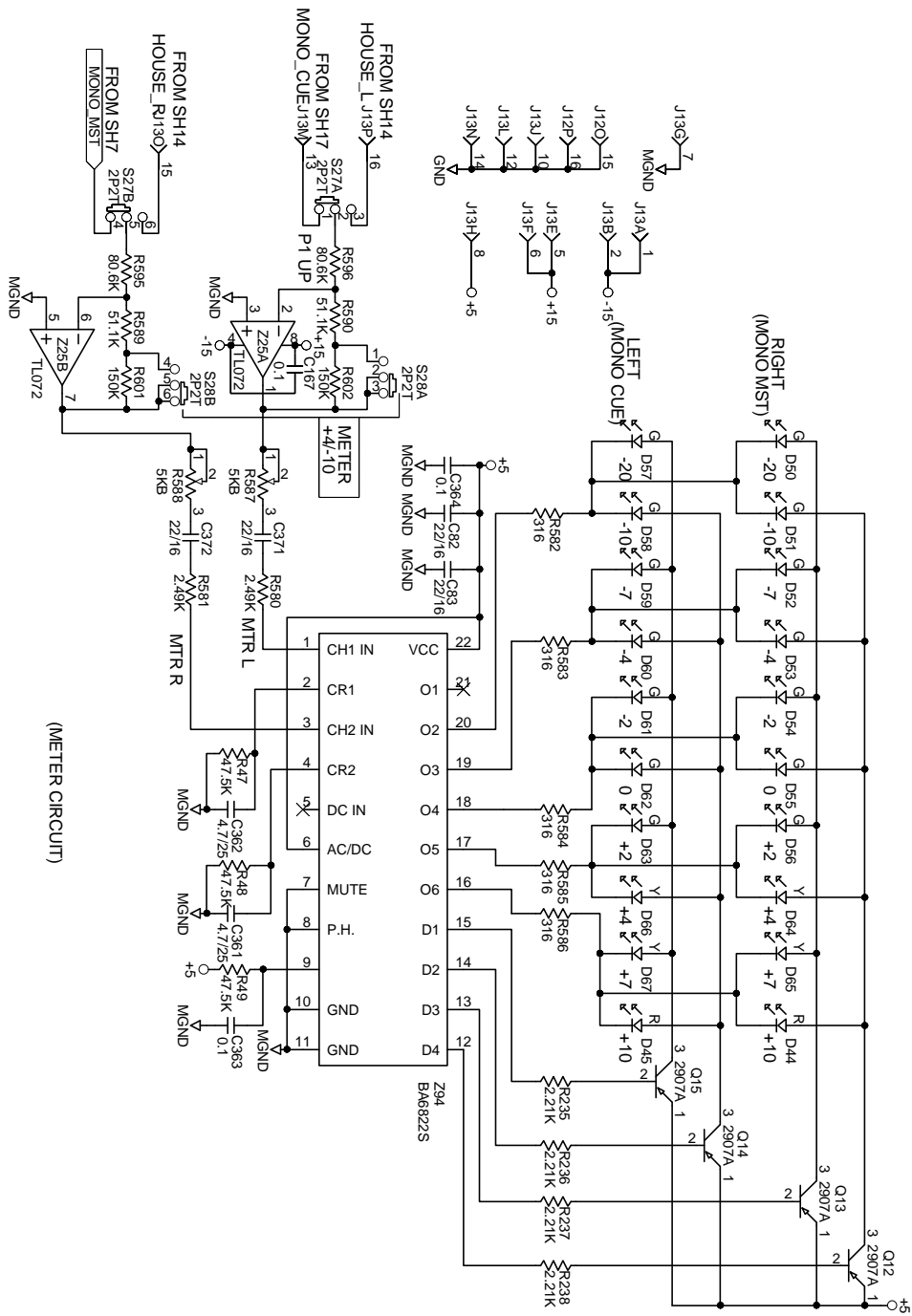


ACTION: WWS DDC 198904
NO CHANGE TO THIS SHEET
SKH 12JUN02
DRAWN BY: RJ
CHECKED BY: RWJ



10802 47th Avenue West
Mukilteo WA 98275-9098
MIC TONE/ASSIGN MP 44
SHEET 5 of 18
106140





FRONT BOARD



ACTION: WAS DOC 106604,
NO CHANGE TO THIS SHEET
SKH 12JUN02

DRAWN BY: RJ

CHECKED BY: RWJ

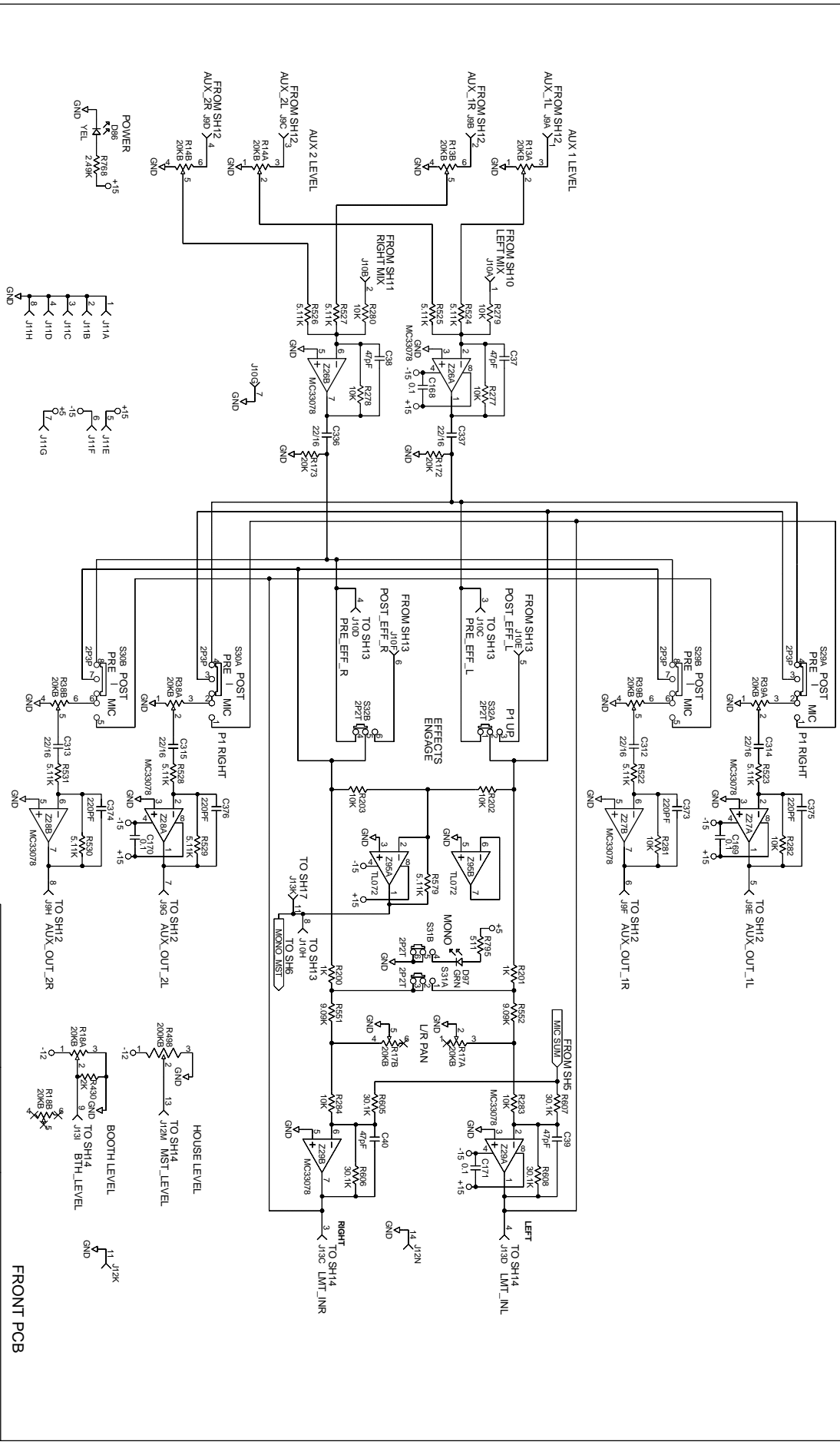


10902 47th Avenue West
Mukilteo WA 98275-5098

METER MP 44

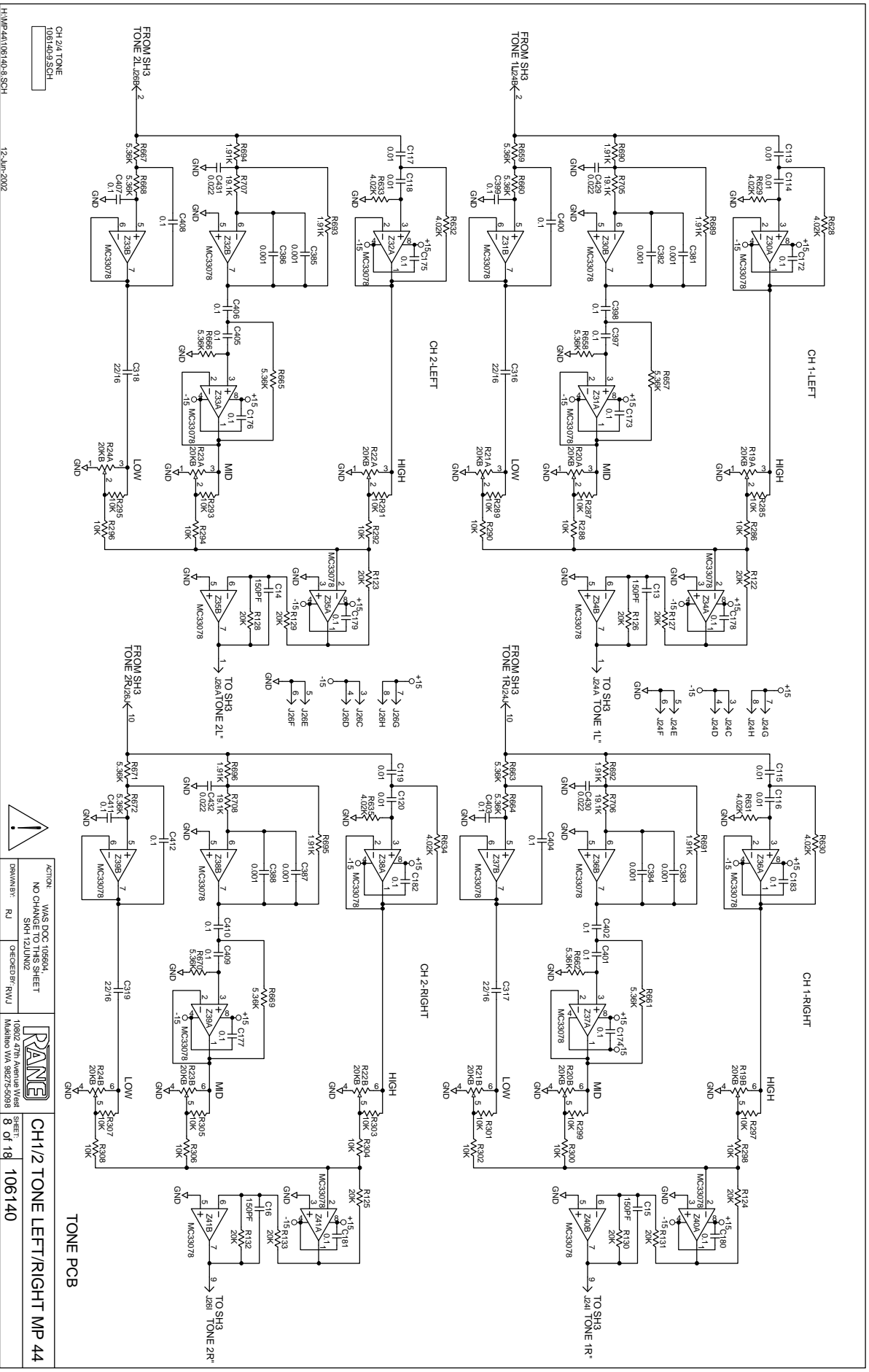
SHEET: 6 of 18

106140



ACTION:	WMS DDC 198382
NO CHANGE TO THIS SHEET	
DRWNR:	RJ
CHECKED BY:	RWJ
10802 47th Avenue West Mukilteo WA 98275-9098	
SHEET:	7 of 18
AUX LEVEL CONTROL MP 44	
106140	

FRONT PCB



CH 2/4 TONE
1061403 SCH

12-Jun-2002

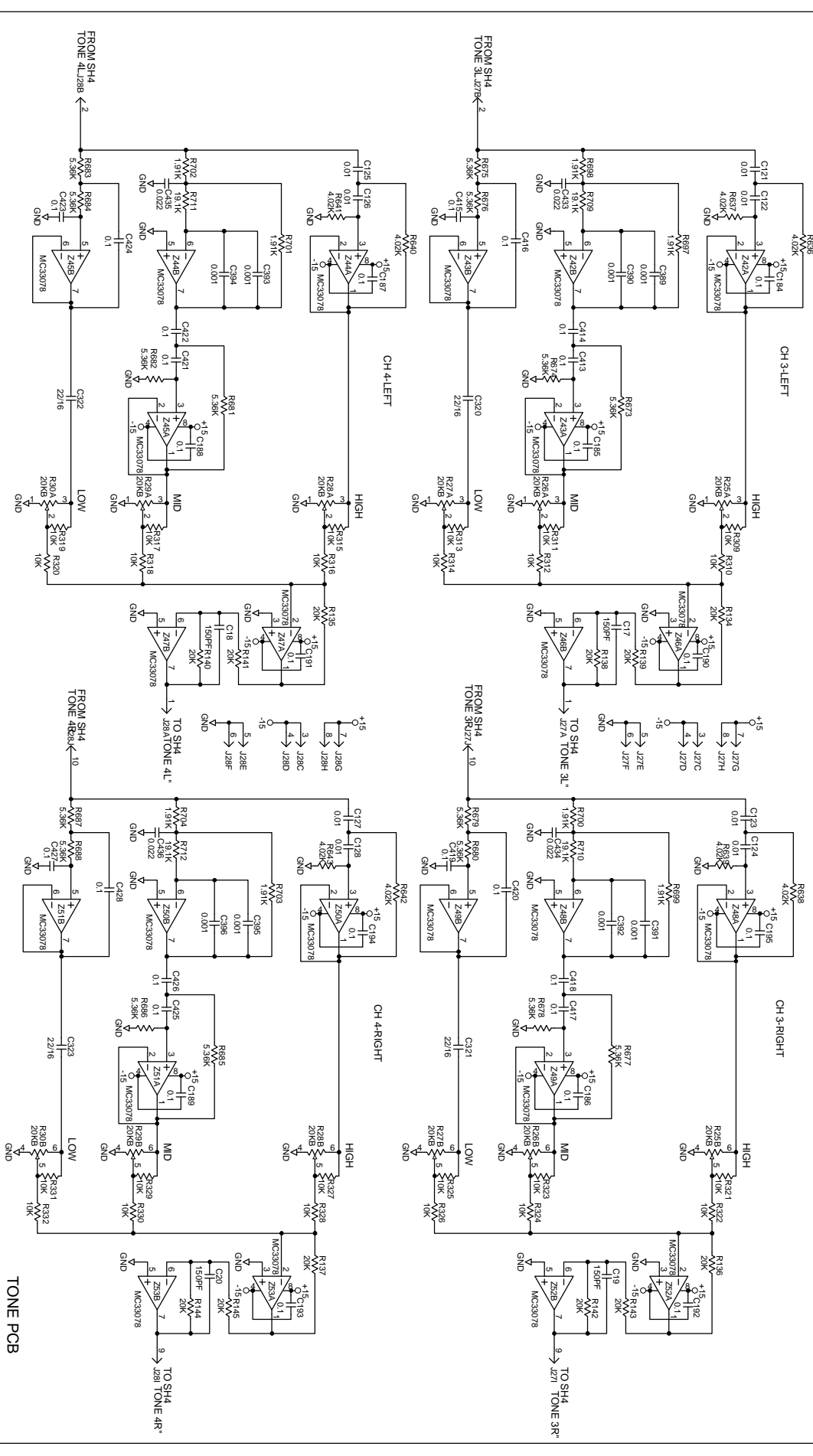
ACTION: WWS DOC 198904
NO CHANGE TO THIS SHEET
SKH 12/JUN02
DRAWN BY: RJ
CHECKED BY: RWU

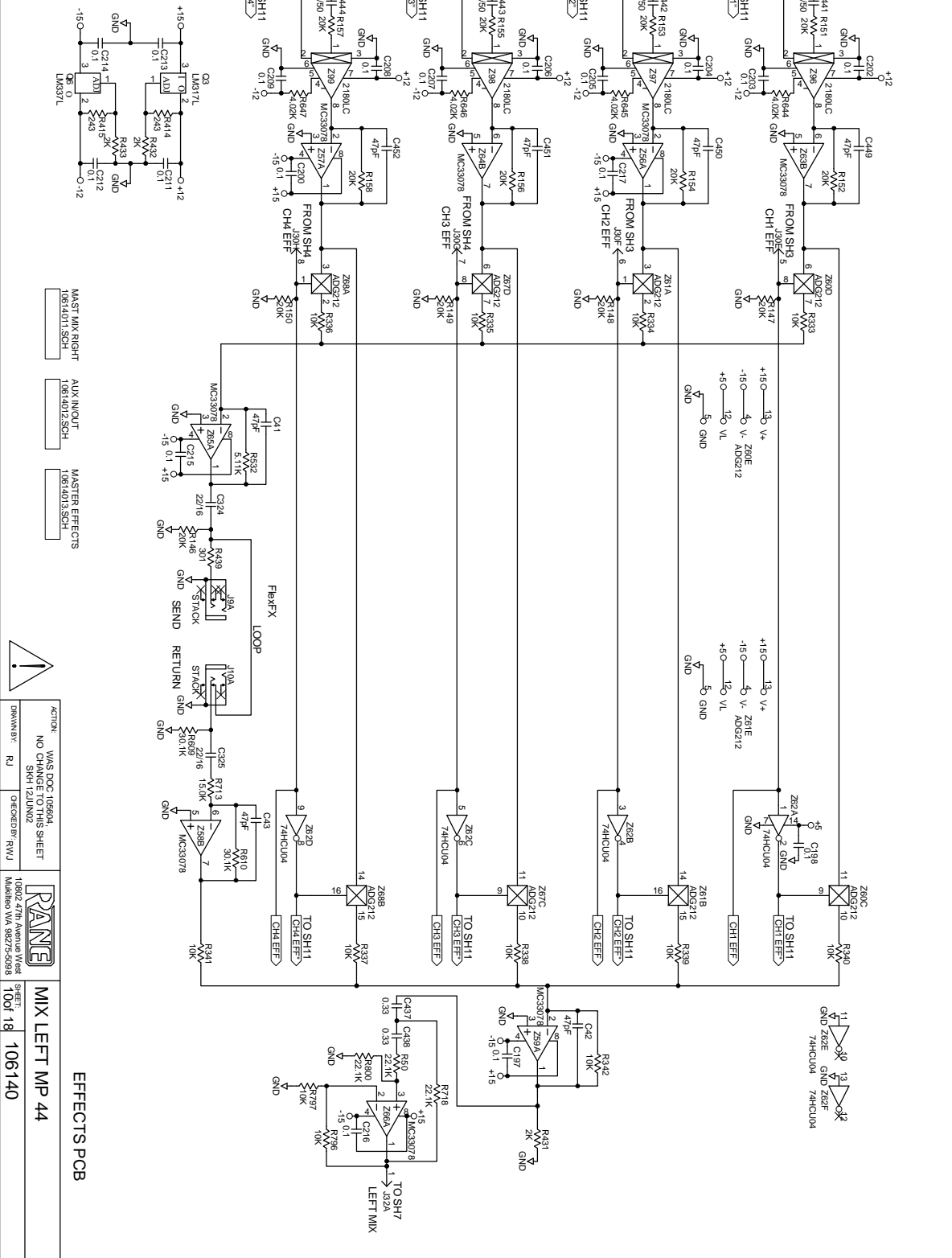


10802 47th Avenue West
Maple Ridge, BC V2X 5S9
8 of 18 106140

CH1/2 TONE LEFT/RIGHT MP 44
SHEET

TONE PCB





MASTER MIX RIGHT 10814011.SCH
AUX IN/OUT 10814012.SCH
MASTER EFFECTS 10814013.SCH

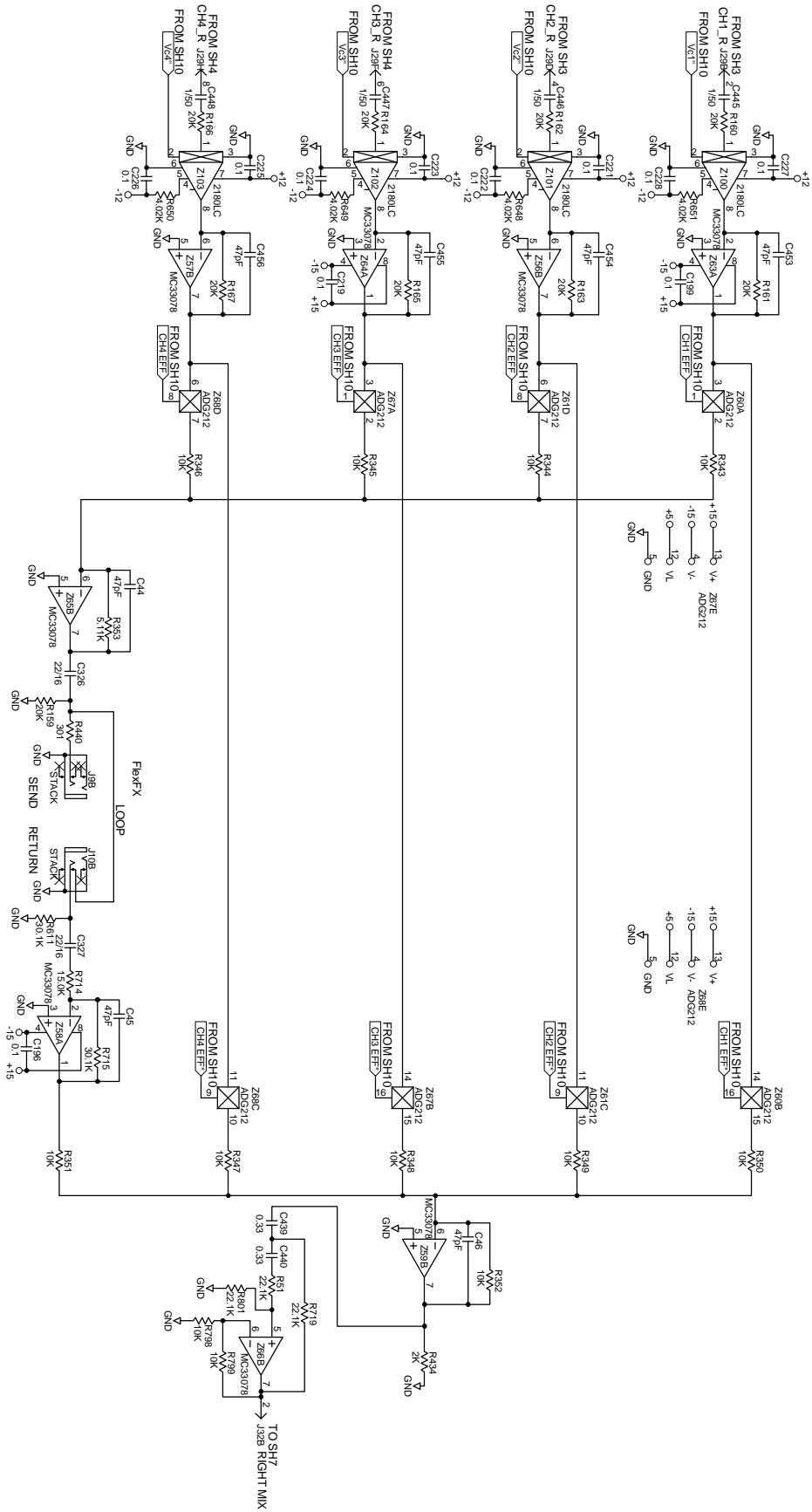


ACTION: WWS DDC 198904
NO CHANGE TO THIS SHEET
SKH 12/JUN02
DRAWN BY: RJ CHECKED BY: RWJ

10802 47th Avenue West
Mukdeno WA 98275-9098

PANE
MIX LEFT MP 44
SHEET 100118 106140

EFFECTS PCB



EFFECTS PCB

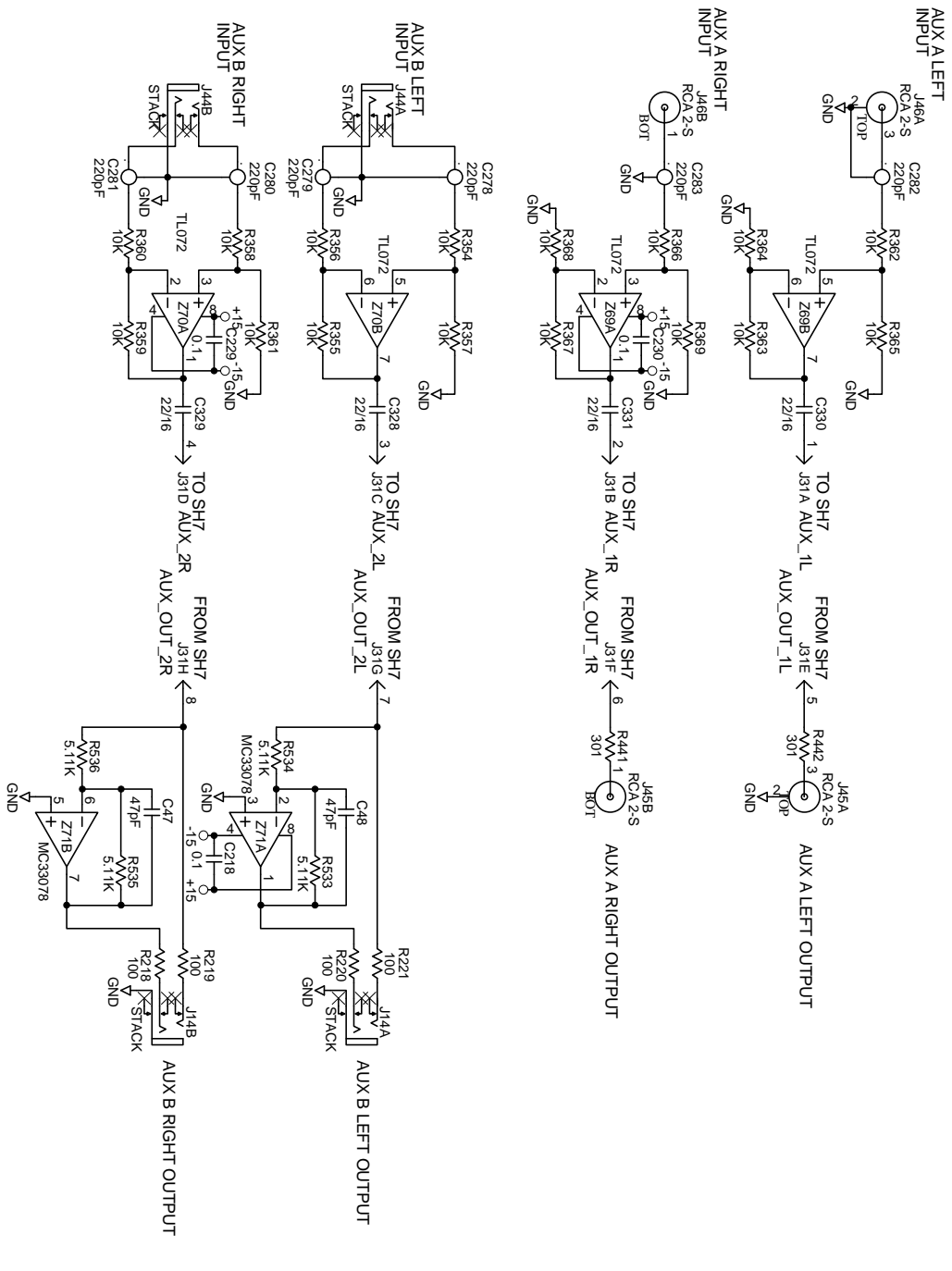


ACTION: WWS DDC 198904
 NO CHANGE TO THIS SHEET
 SKH 12JUN02
 DRAWN BY: RJ
 CHECKED BY: RWJ



10802 47th Avenue West
 Mukilton, VA 28275-9098

MIX RIGHT MP 44
 SHEET 11 of 18
 106140



EFFECTS PCB

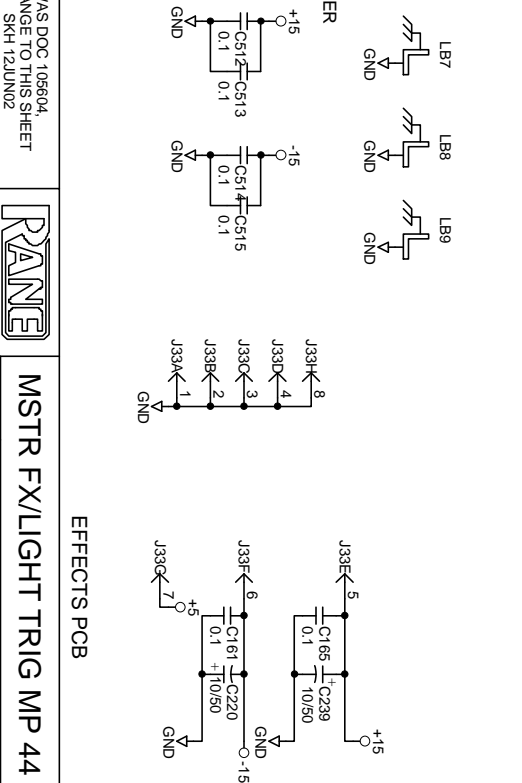
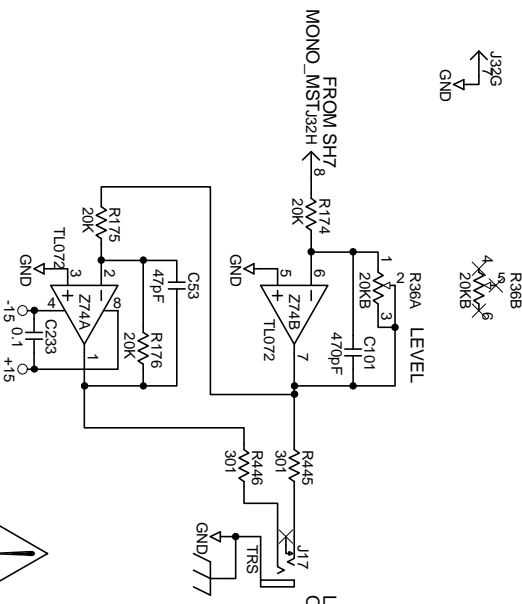
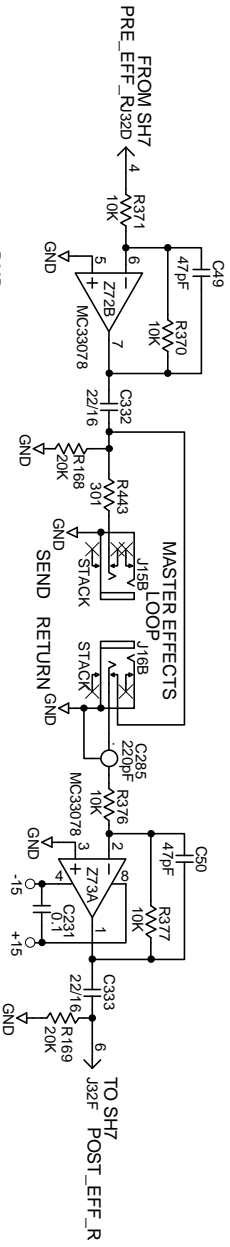
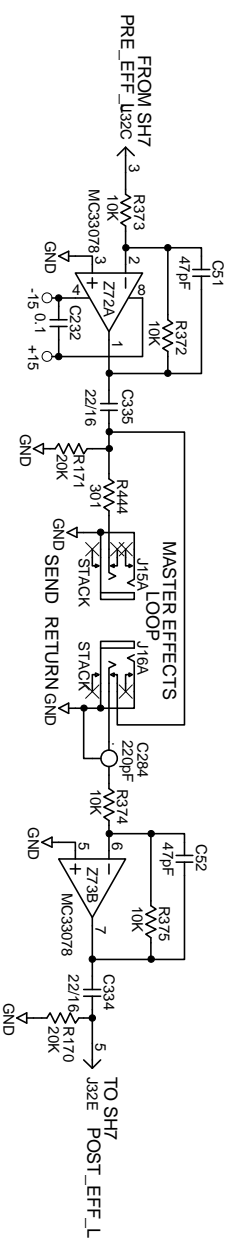
AUX IN/OUT MP 44

SHEET: 12 of 18 106140

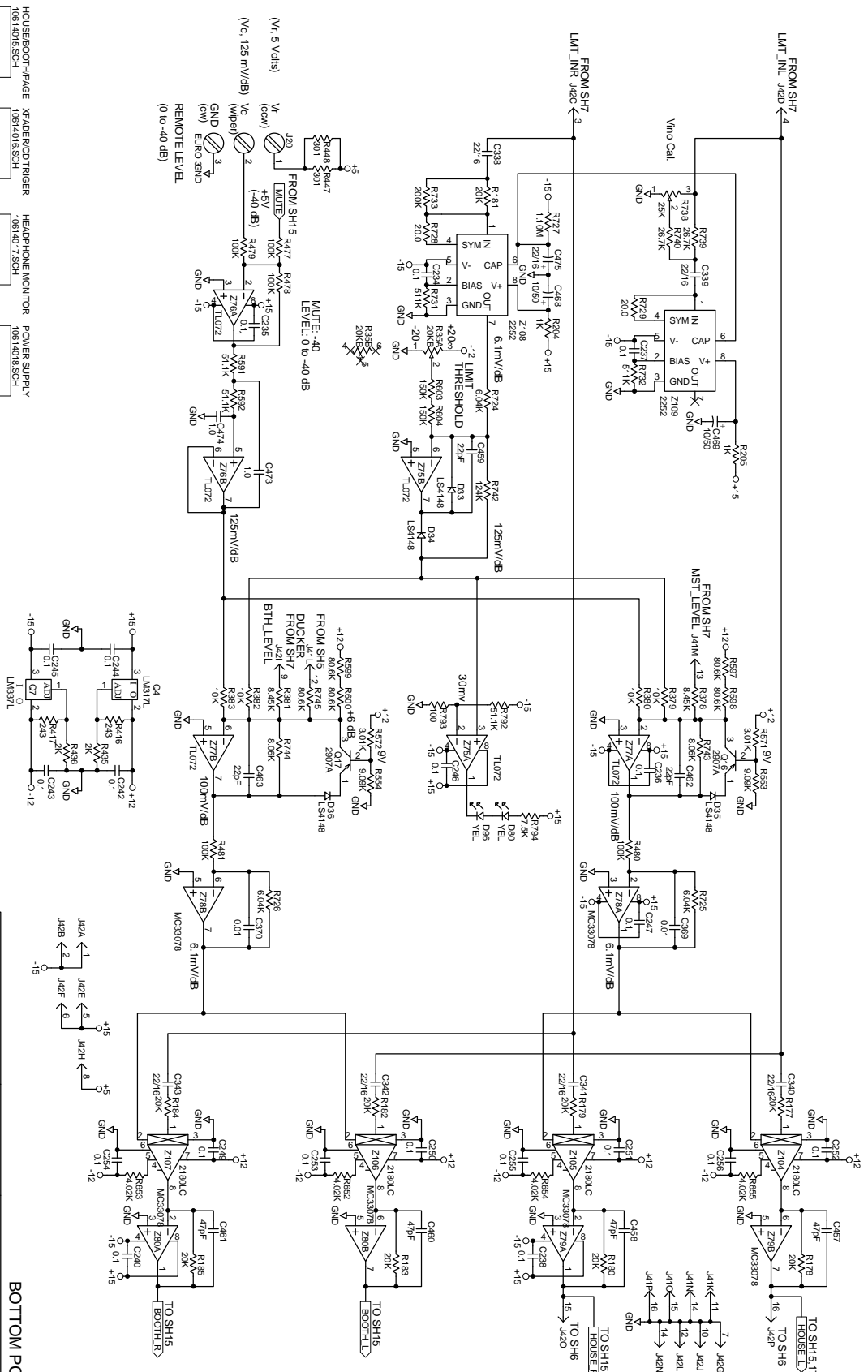


ACTION: WAS DOC 106604,
NO CHANGE TO THIS SHEET
SKH 12JUN02
DRAWN BY: RJ
CHECKED BY: RWJ





ACTION: WAS DOC 106604, NO CHANGE TO THIS SHEET SKH 12JUN02
 DRAWN BY: RJ CHECKED BY: RWJ
PANE 10902 47th Avenue West Mukilteo WA 98275-5098
 SHEET: 13 of 18
MSTR FX/LIGHT TRIG MP 44
106140
 EFFECTS PCB
 20-Jun-2002
 H:\MP4\106140\3.SCH



BOTTOM PCB

HOUSEBOOTHPAGE XFADER/TRIGGER 10614013.SCH
 HEADPHONE MONITOR 10614017.SCH
 POWER SUPPLY 10614018.SCH

12-Apr-2002



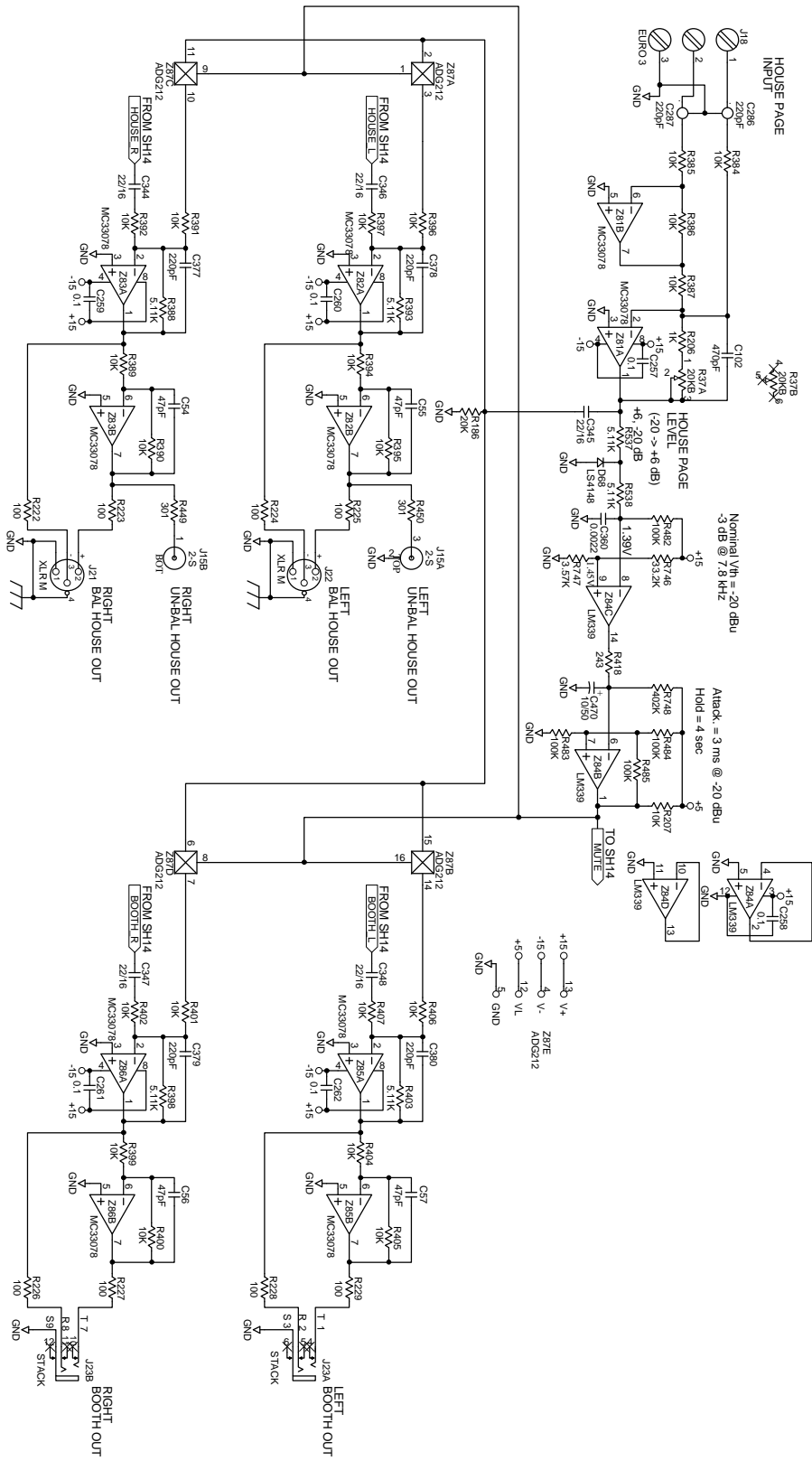
ACTION: WWS DDC 198904
 NO CHANGE TO THIS SHEET
 SKH 12/JUN02
 DRAWN BY: RJ
 CHECKED BY: RWJ



LIMITER MP 44
 SHEET 140118 106140

11-MP-24110814014.SCH

10802 47th Avenue West
 Mukilteo WA 98275-9098



BOTTOM PCB



ACTION:	WMS DDC 198904
NO CHANGE TO THIS SHEET	SKH 12/JUN02
DRAWN BY:	RJ
CHECKED BY:	RWJ

RAVENS
10802 47th Avenue West
Maple Ridge, B.C. V2X 5G9

HOUSE/BOOTH/PAGE MP 44
SHEET 18 OF 18
1061440

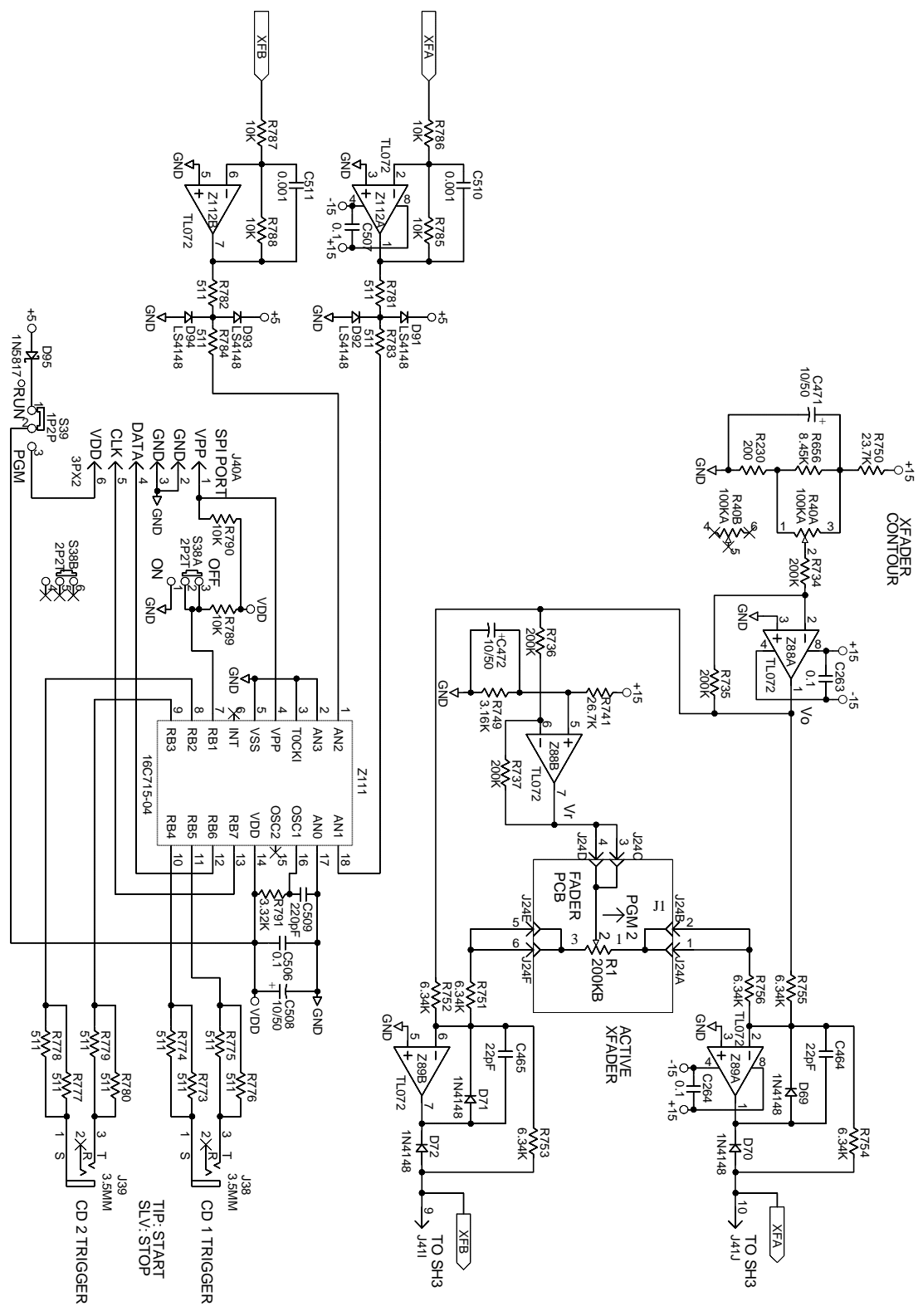


ACTION: WAS DOC 106604, R750 WAS 12.4K, R656 WAS 4.02K, R230 WAS 100 & R40 WAS 50KA SKH 12JUN02
 DRAWN BY: RJ
 CHECKED BY: RWJ



10902 47th Avenue West
 Mukilteo WA 98275-5098
XFADER/CD TRIGGER MP 44
 SHEET: 16 of 18
106140

BOTTOM PCB



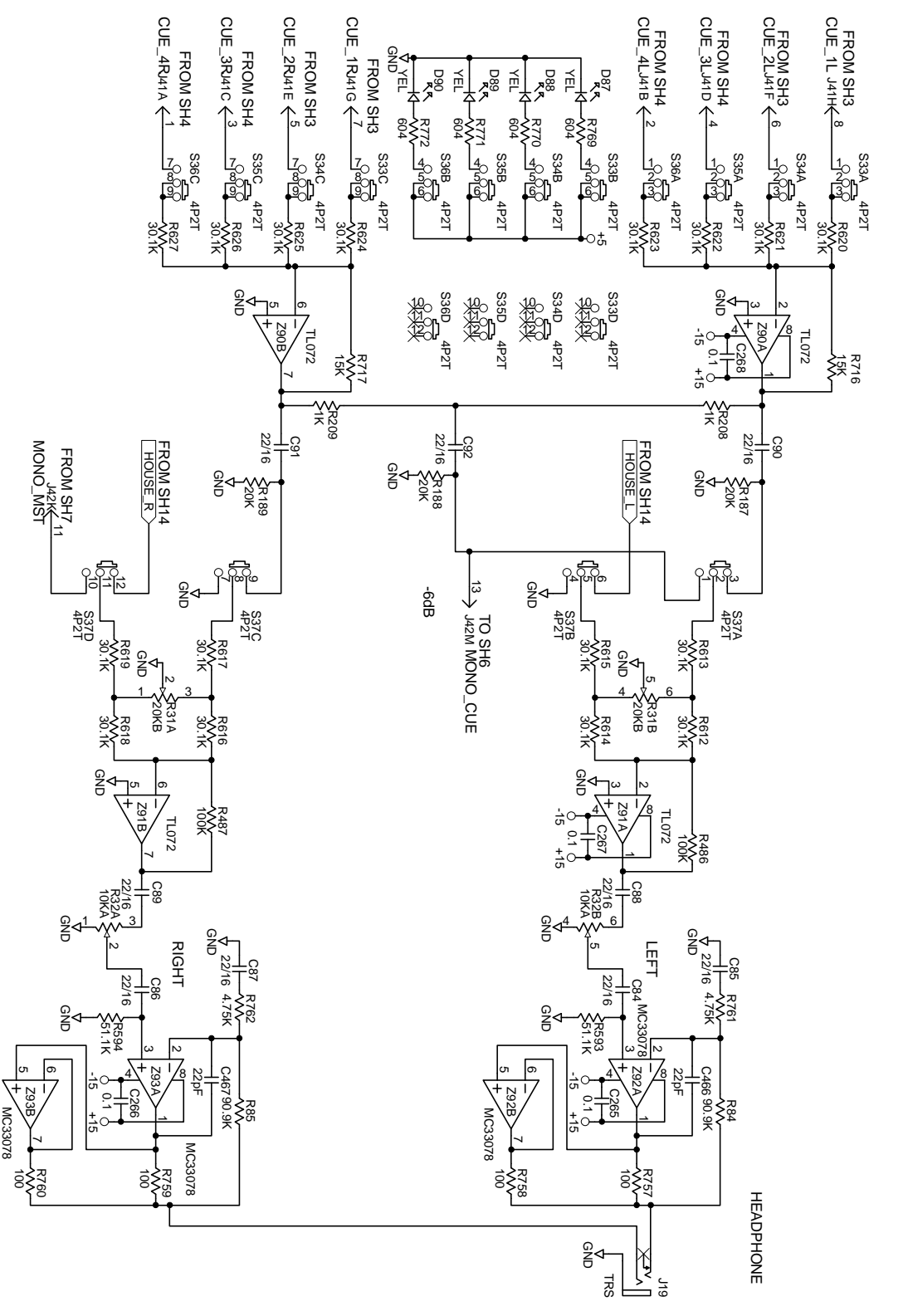


ACTION: WAS DOC 106140, NO CHANGE TO THIS SHEET SKH 12JUN02
DRAWN BY: RJ
CHECKED BY: RWJ



HEADPHONE/CUE MP 44
SHEET: 17 of 18
106140

BOTTOM PCB



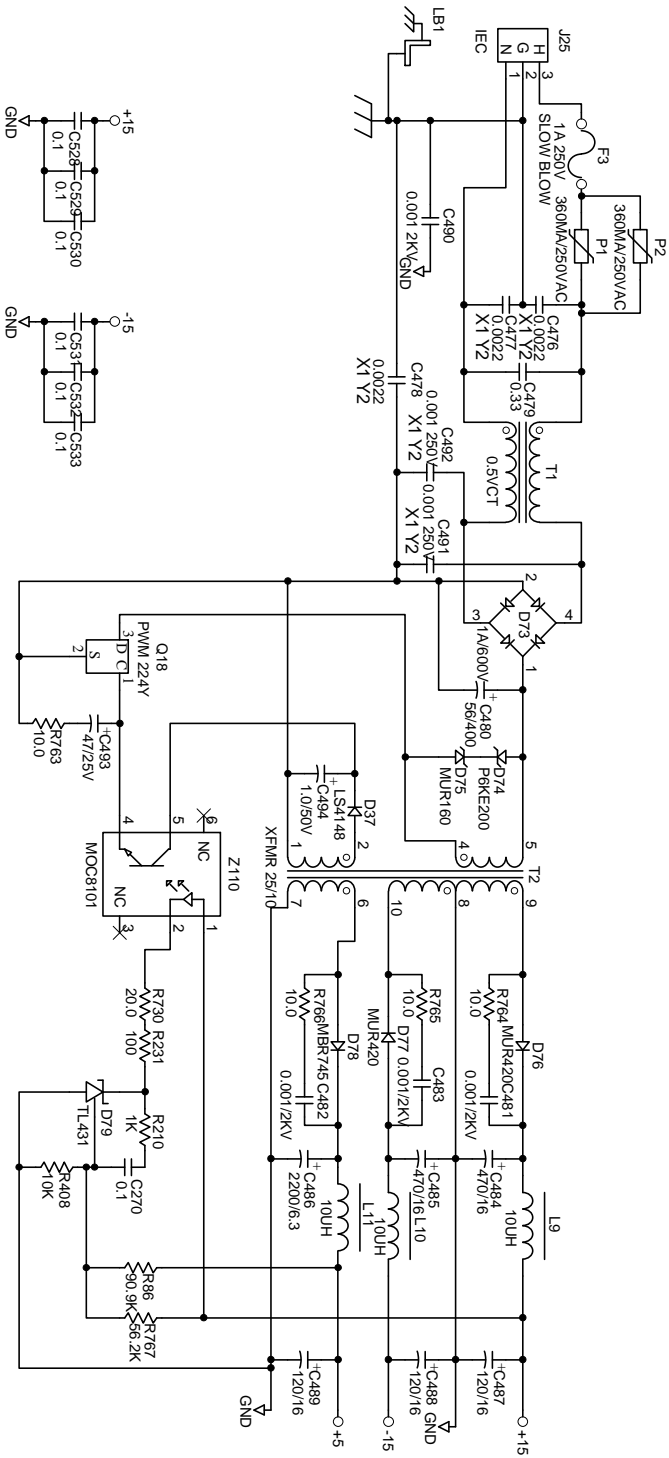
HEADPHONE

TO SH6
J42M MONO_CUE

-6dB

RIGHT

LEFT



BOTTOM PCB

ACTION: WAS DOC 106604,
NO CHANGE TO THIS SHEET
SKH 12JUN02

DRAWN BY: RU CHECKED BY: RWJ



10902 47th Avenue West
Mukilton WA 98275-5098

PWR SUP MP 44

SHEET: 18 of 18

106140

