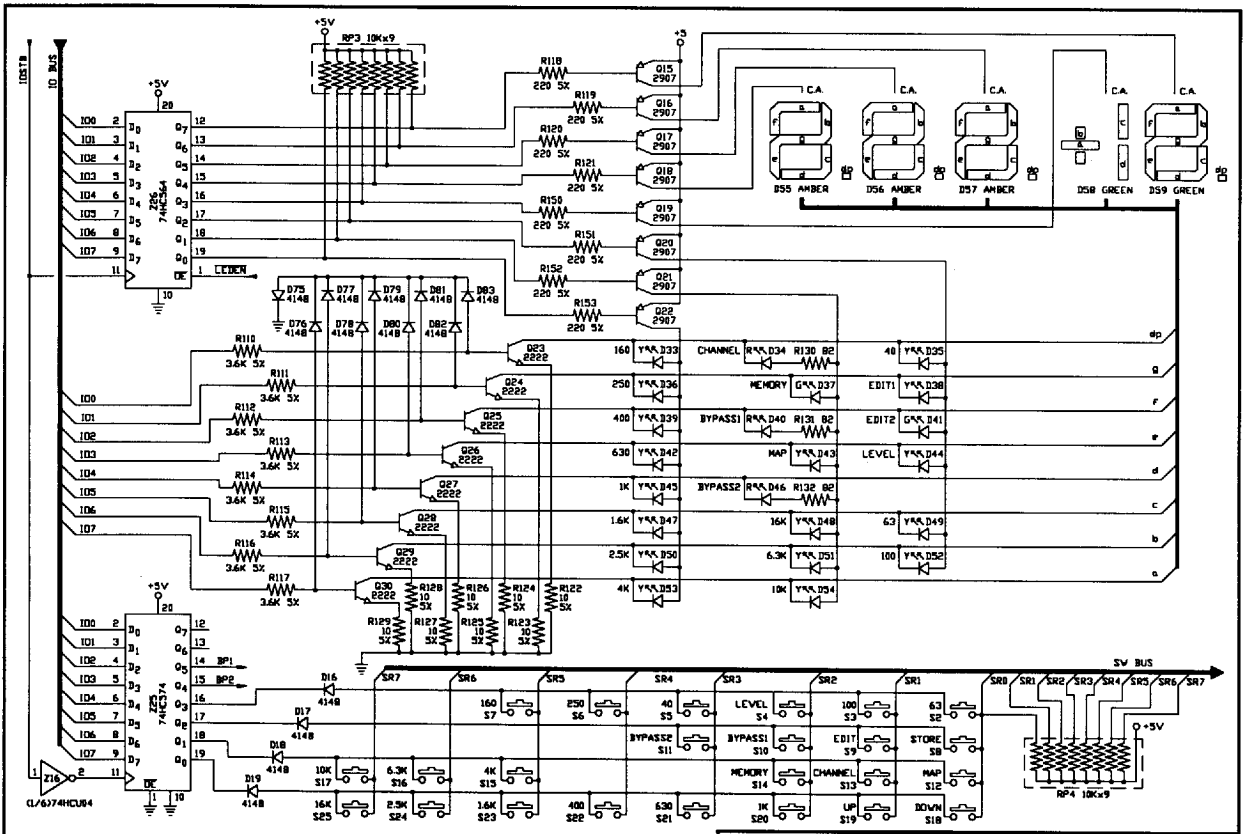


REV. 3		ACTION: CORRECTED DATA BUS		DATE: 21DEC90	APPROVED:	TITLE: MPE 14 BRAIN	
DRAWN & TURNED: DATE 02MAY89		CHECKED: BOB MOSES DATE 4MAY89		SHEET 3 OF 5		DRW. NO. 521-039	REV. B
DO NOT SCALE DRAWING						Corp. 18802 47th Avenue West, Everett WA 98204-3400 (206) 355-6000	



REV. D		ACTION: CHANGED LED DRIVE CIRCUIT		DATE: 22JAN91	APPROVED:	TITLE: MPE 14 INTERFACE	
DRAWN & TURNED: DATE 04MAY89		CHECKED: BOB MOSES DATE 4MAY89		SHEET 4 OF 5		DRW. NO. 521-040	REV. D
DO NOT SCALE DRAWING						Corp. 18802 47th Avenue West, Everett WA 98204-3400 (206) 355-6000	

