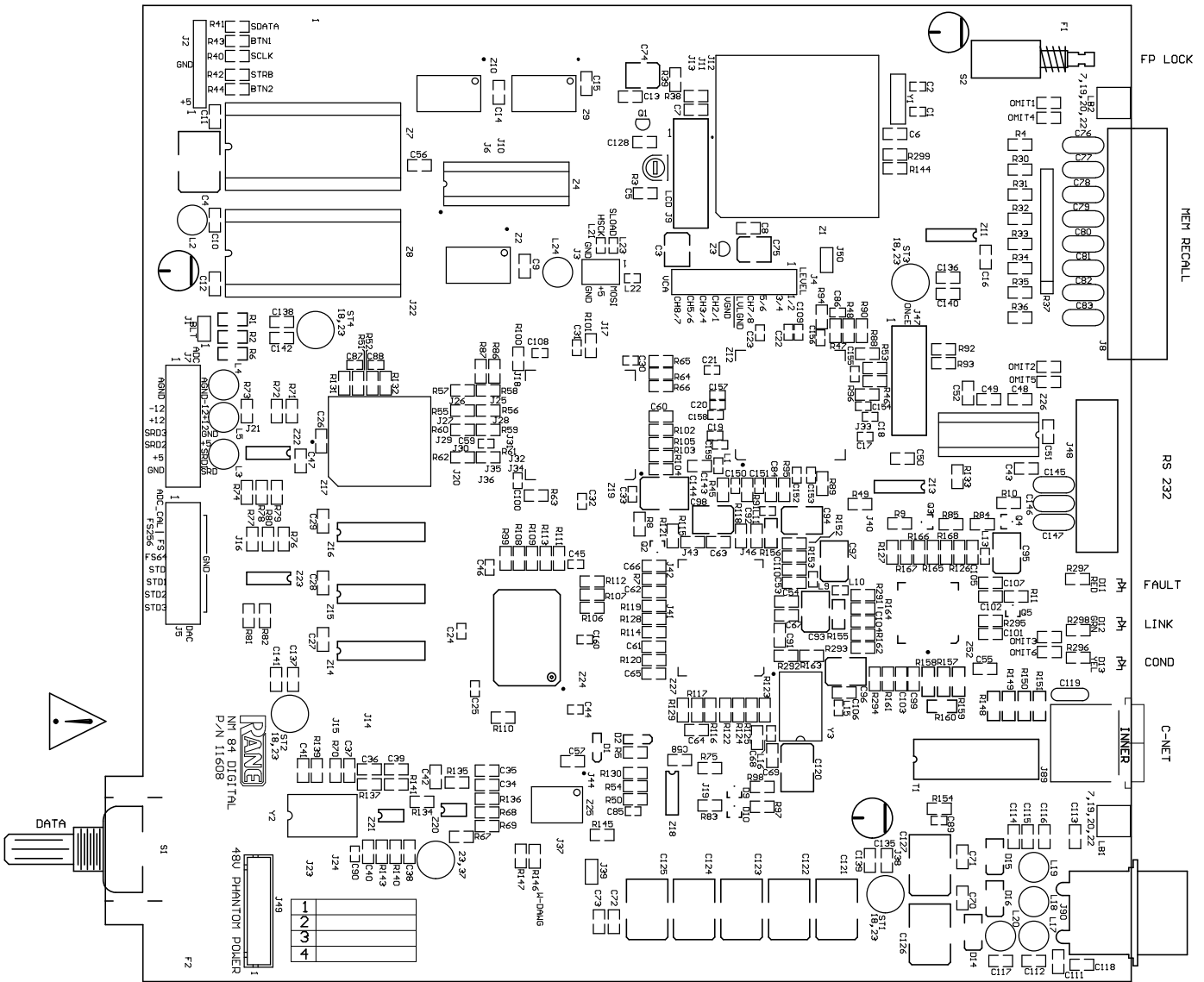


RAJNE
 NM 48 CONVERTER
 P/N 11237

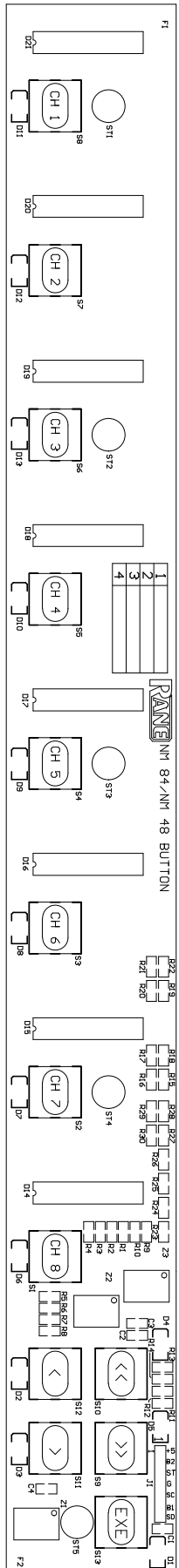
108986 FILM 1 OF 5 SILK SCREEN NM 48 CONVERTER (P/N 11237)

12

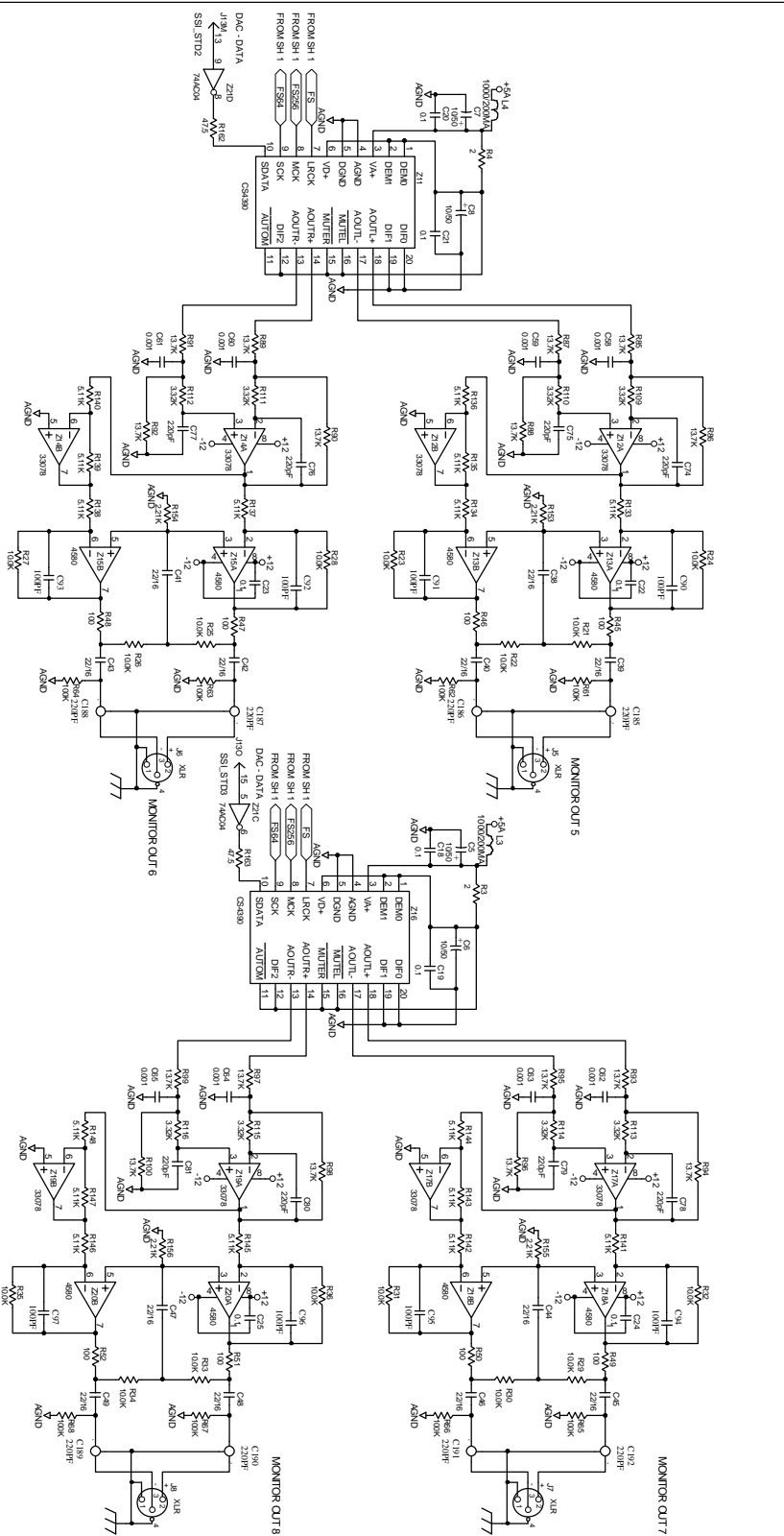
Rane Corp. (425)355-6000
 104508 DES: CONVERTER NM 48
 ACTION: REMOVED STAR WASHER FROM L-BRACKETS <REF DES 7> RWJ 30NOV00



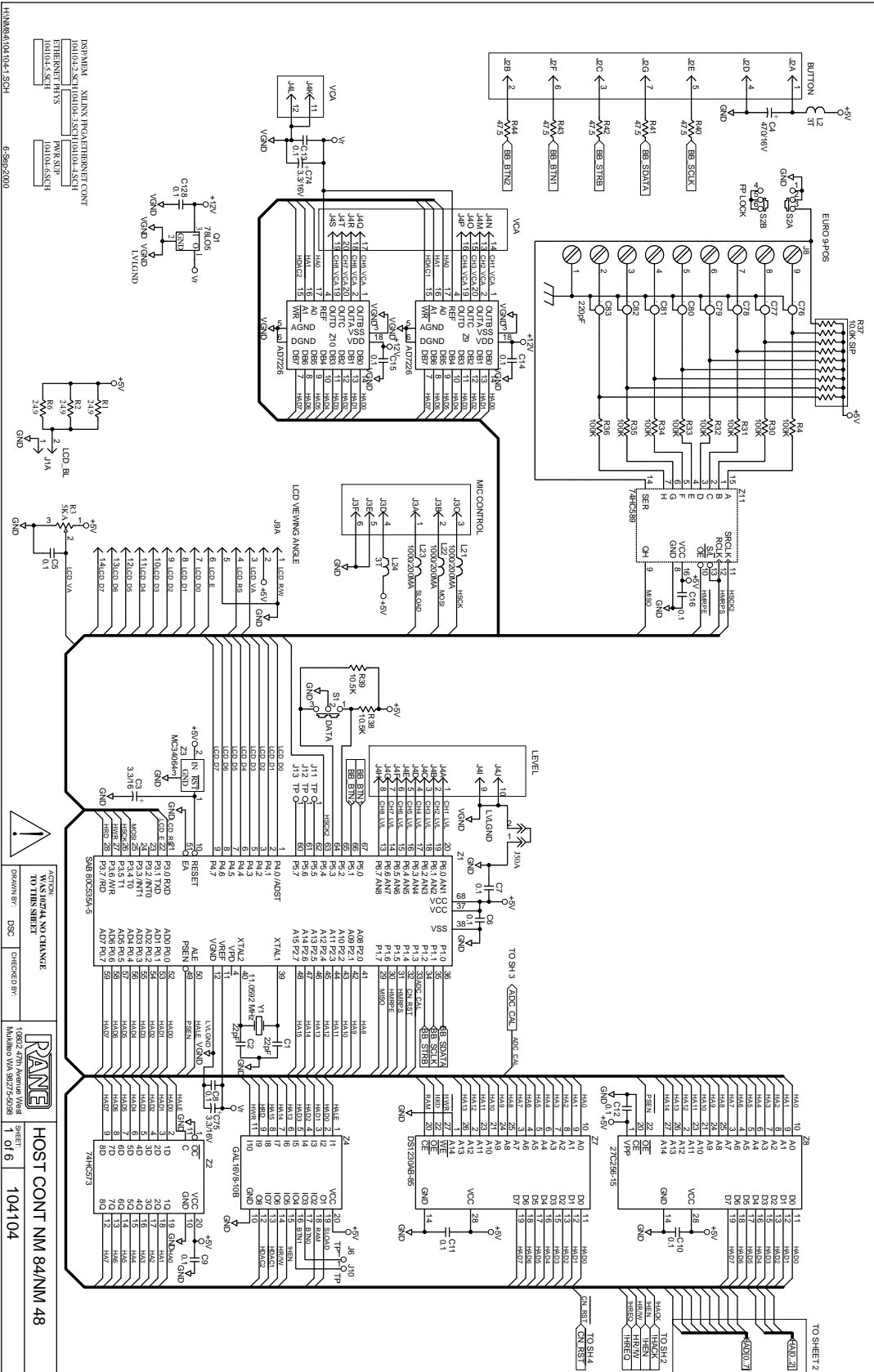
Rane Corp. (425)355-6000
 104284 DES: DIGITAL NM 84 SHEET 1 OF 2
 ACTION: MOVED AND ADDED MANY PARTS KRB 07AUG00



Rane Corp. (425)355-6000
 105242 DES: BUTTON NM 84
 ACTION: MANY PARTS MOVED, WAS 102625 SKH 3JUL01



ACTOR	DESIGNER	DATE	PROJECT	NO.
PANE				
10802 8TH Avenue West Maplewood WA 98175-5088				
SHEET 2 of 4				
MAIN OUT 5,6,7,8 NM 48				
102746				



HANW84104/1041SCH 6-SEP-2000

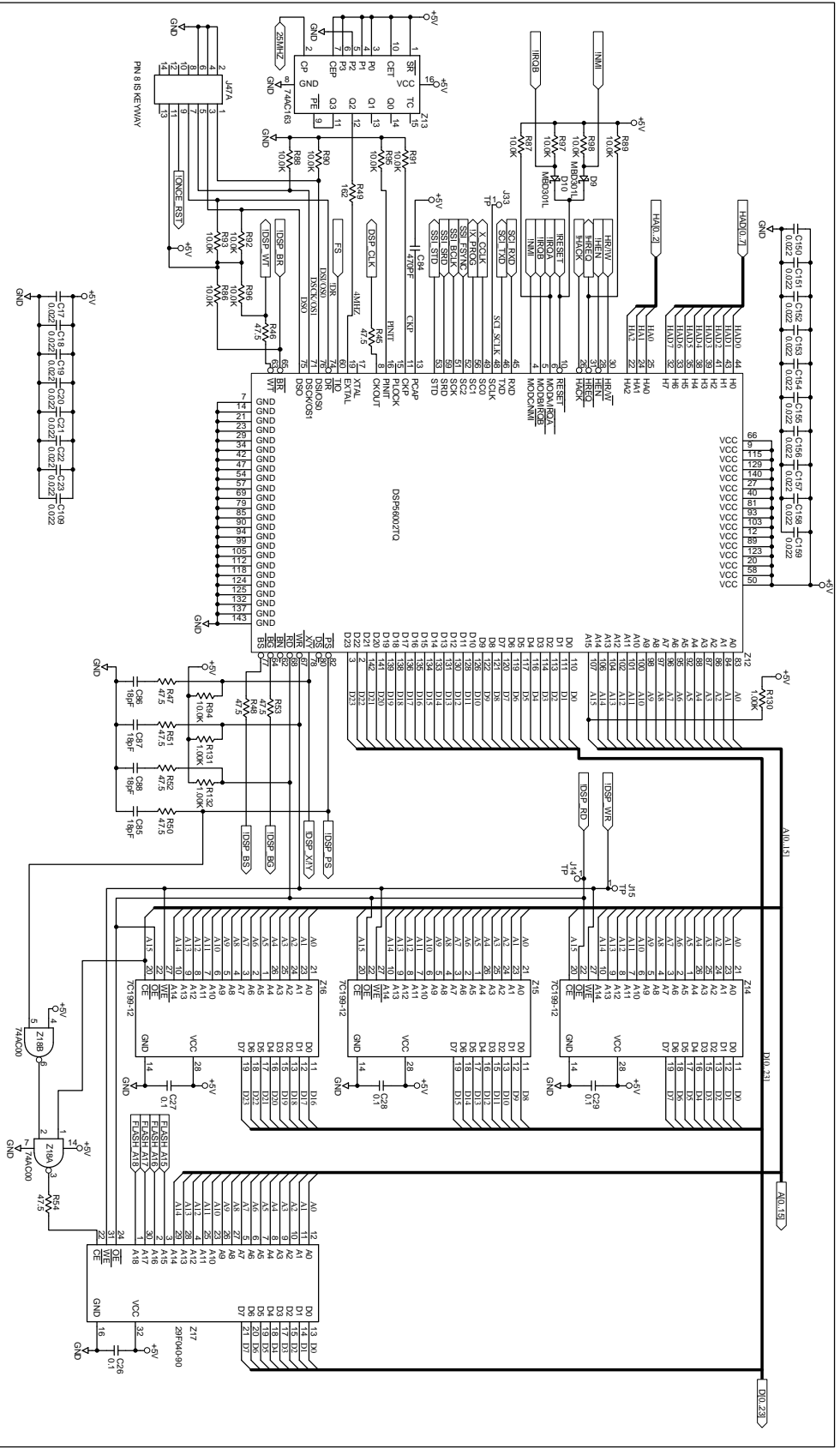
INSTRUKSI XILINDR BERG ETHERNET CONT
 (MID1.2, 3, 4, 5, 6, 7, 8, 9, 10, 11, 12, 13, 14, 15, 16, 17, 18, 19, 20)
 ETHERNET PHY'S (MID1.1, 2, 3, 4, 5, 6, 7, 8, 9, 10, 11, 12, 13, 14, 15, 16, 17, 18, 19, 20)
 MID1.5, 5, 6, 7, 8, 9, 10, 11, 12, 13, 14, 15, 16, 17, 18, 19, 20

ACTIVE
 WAS NOT ON NO CHANGE
 TO THIS SHEET
 DRAWN BY: DSC
 CHECKED BY:

10802 27th Avenue West
 HANW84104/1041SCH
 1 01 6

HOST CONT NM 84/NM 48

TO SHEET 2
 TO SHEET 1
 TO SHEET 3
 TO SHEET 4





 ACTION:

 WAS D0744, AMBER CIRCLED

 MOVED C4, C5, SMT 4, C09 W/AS R04

 DRAWN BY: DSC

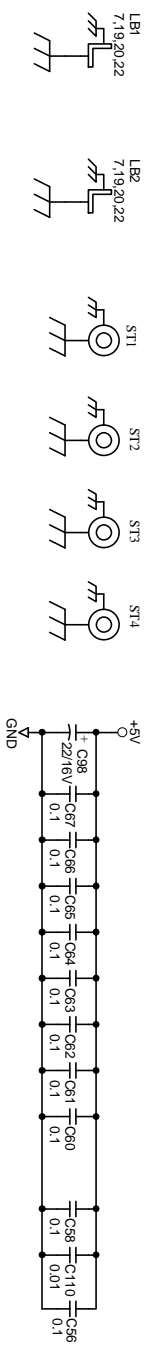
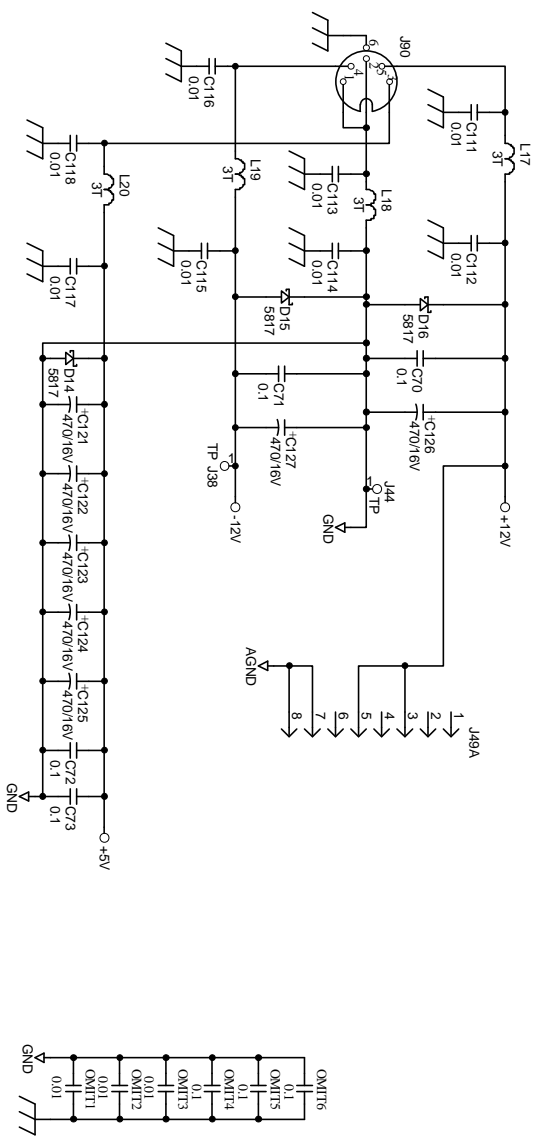
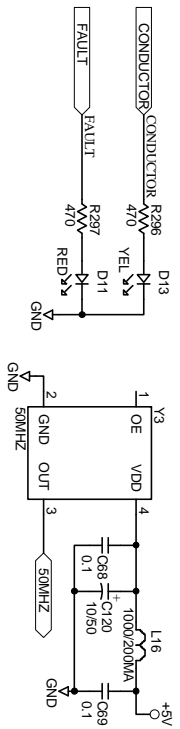
 CHECKED BY:



 DSP & MEMORY NM 84/NM 48

 SHEET 2 OF 6

 104104



ACTION:
 WAS 102744, MOVED C99, C100, C108
 (SHT 3), MOVED C109 (SHT 2)

DRAWN BY: DSC
 CHECKED BY:

POWER SUPPLY NM 84/NM 48
 SHEET: 6 of 6
 104104

10802, 47th Avenue West
 Mukilteo WA 98275-5098

