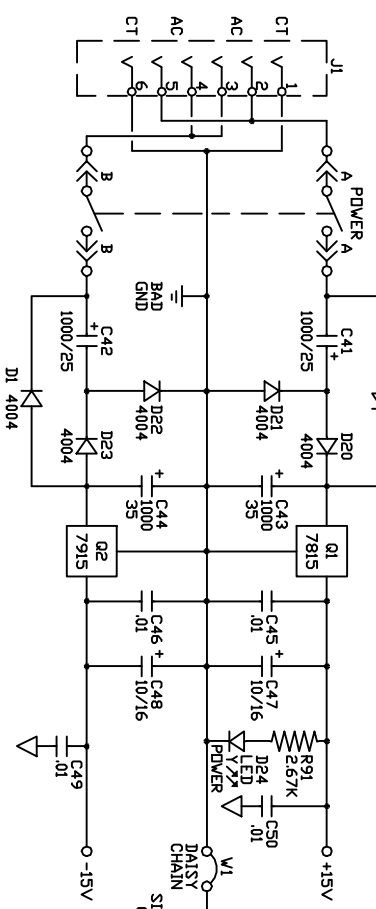
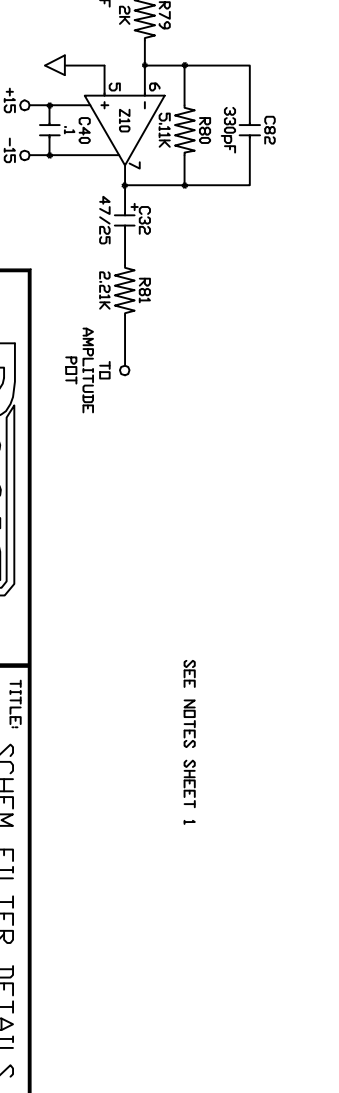
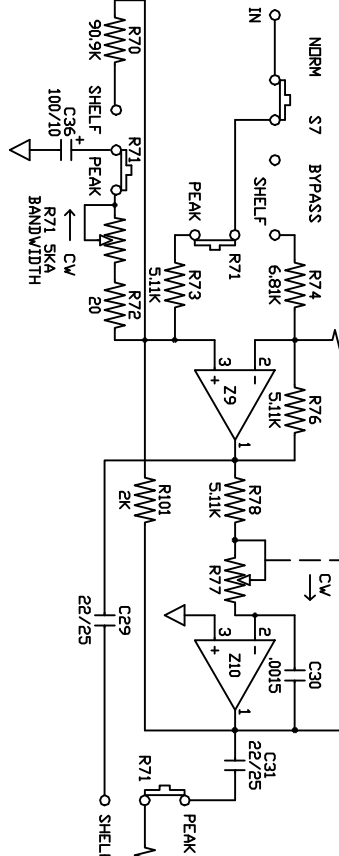
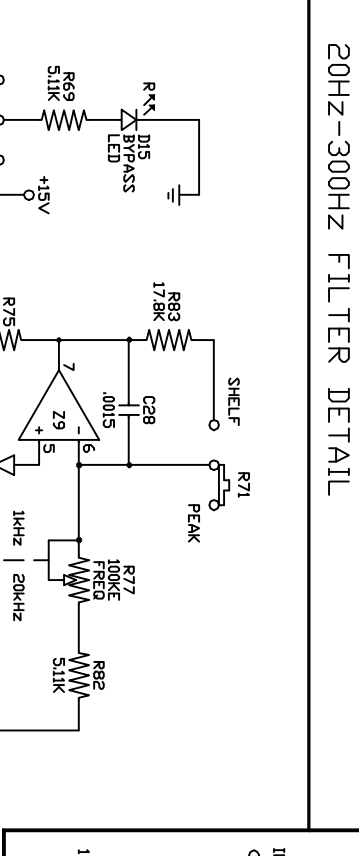
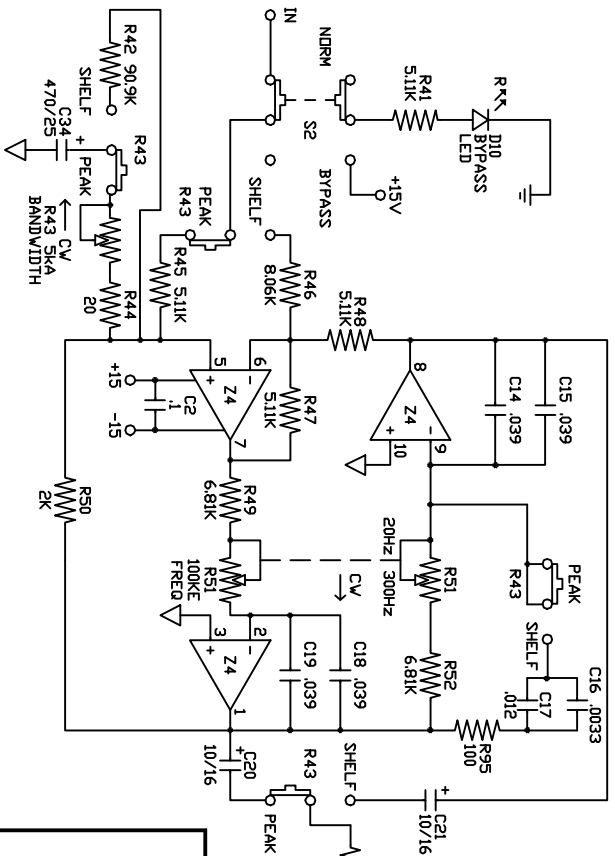


POWER SUPPLY



- NOTES (UNLESS OTHERWISE NOTED)**
1. ALL RES 1/4W, 1%, METAL FILM.
 2. POWER SUPPLY CONNECTIONS: POS. SUP NEG. SUP
 3. ALL SW'S SHOWN IN THEIR 'OUT' OR 'OFF' POSITION
 4. IC TYPES: Z1 = TL071, Z2, Z4, Z5, Z6 = 2059, Z7, Z8, Z9, Z10 = 4570, Z3, Z11 = NE5534
 5. BANDWIDTH SWITCHES SHOWN PUSHED IN



NOTE
 150Hz-2.5kHz=R1,C1,C2
 450Hz-8kHz=R2,C2,C3

SEE NOTES SHEET 1